

# **ICE o-Matic**®

**SERVICE PARTS MANUAL**

**22 INCH WIDE ICE SERIES CUBERS**

**MODEL-ICE0320A3/W3 and ICE0520A3/W3**

Includes 50Hz. Units



**ICE-O-Matic**  
11100 East 45th Ave  
Denver, Colorado 80239  
Part Number 9081356-01

**Date 12/06**



## **ICE0320/0520 Service Parts**

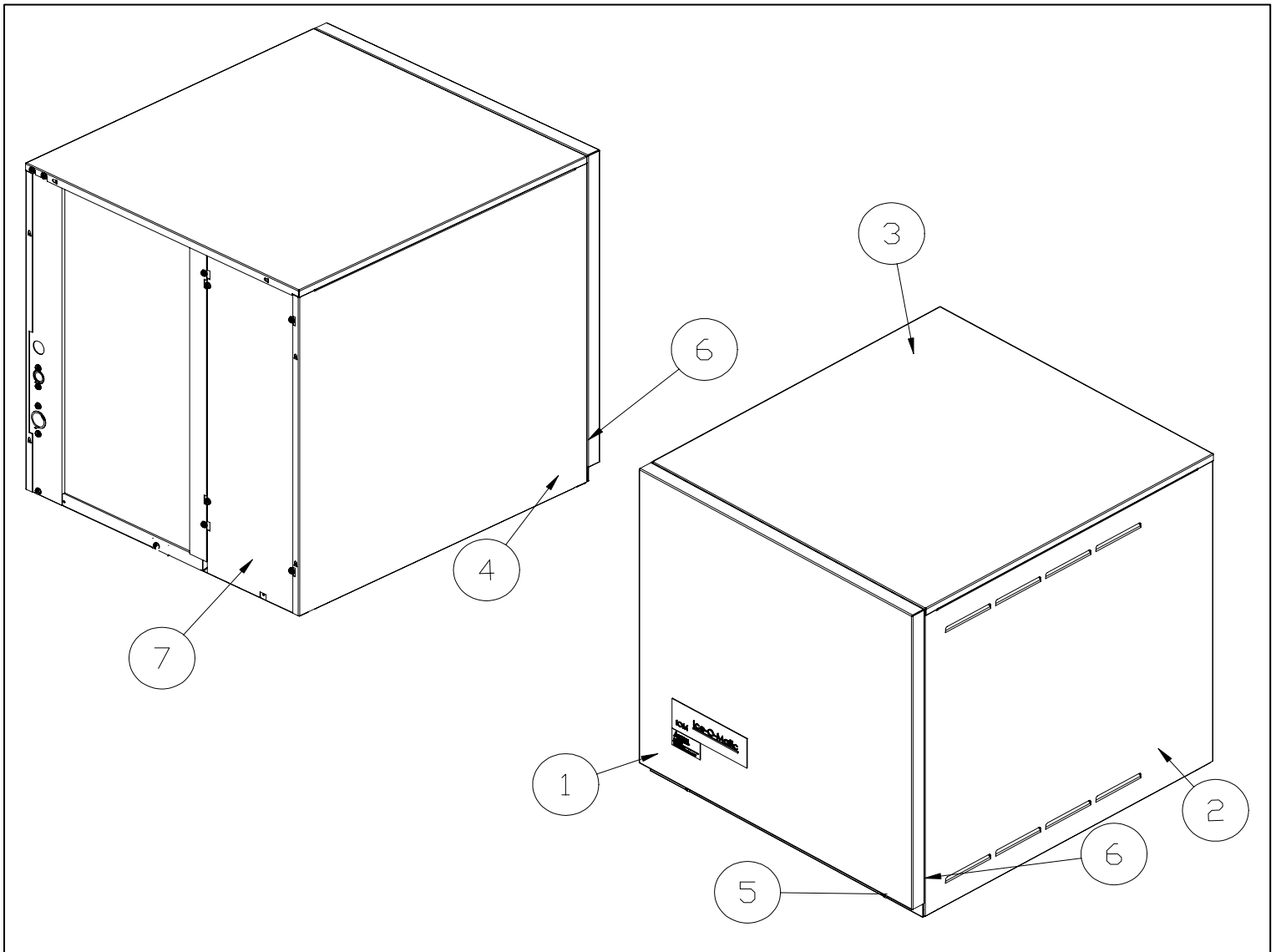
This parts list contains the service parts available for the ICE0320A3/W3 and ICE0520A3/W3 icemakers.

**Check the model number on the data plate and refer to the correct listing for the specific component.**

Check carefully that the correct part is identified and ordered.

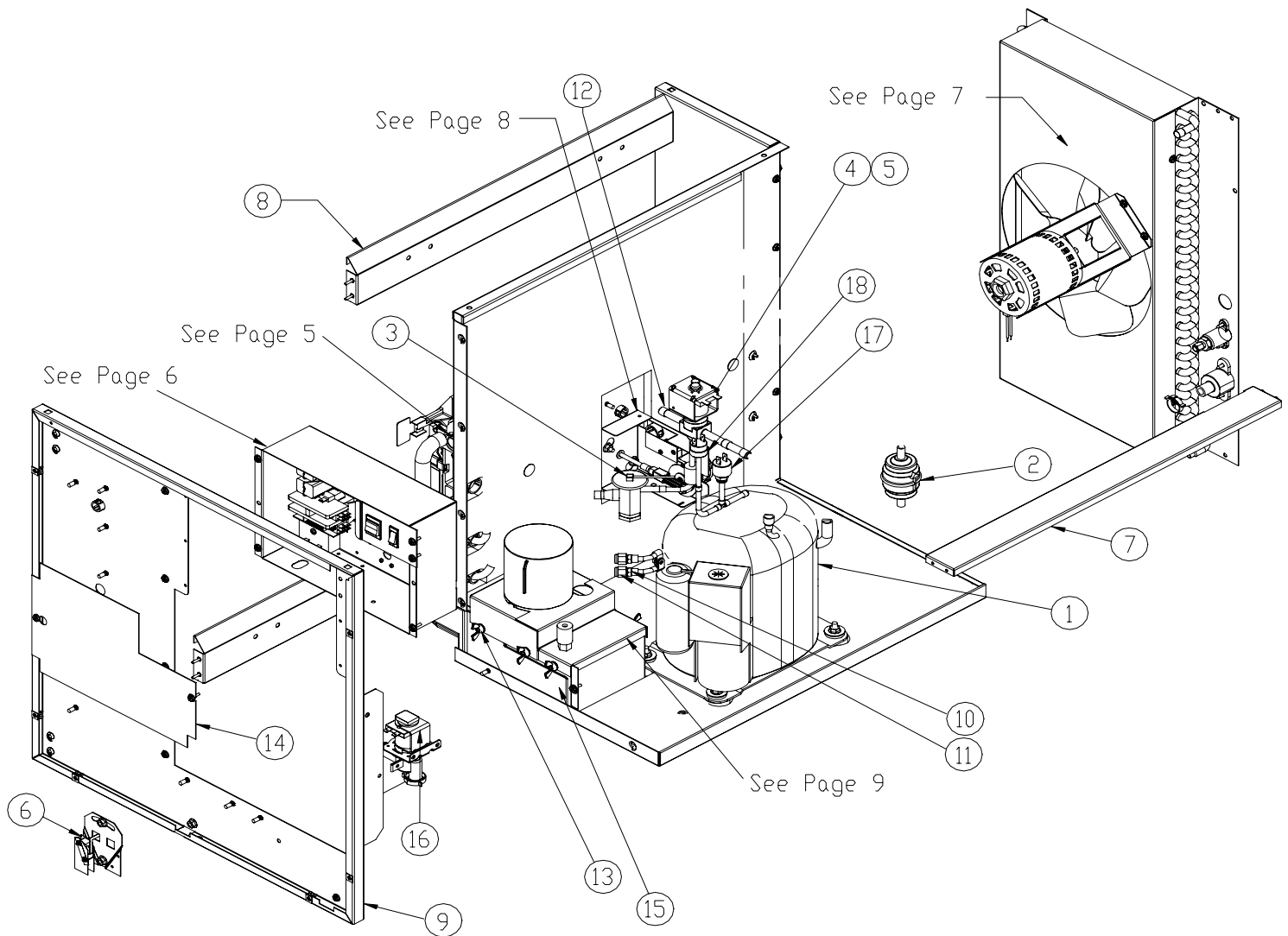
<b>Table of Contents</b>	<b>Page 1</b>
<b>Cabinet Exterior</b>	<b>Page 2</b>
<b>ICE0320/ICE0520 Air Cooled</b>	<b>Page 3</b>
<b>ICE0320/ICE0520 Water Cooled</b>	<b>Page 4</b>
<b>Evaporator</b>	<b>Page 5</b>
<b>Control Box</b>	<b>Page 6</b>
<b>Fan Assemblies</b>	<b>Page 7</b>
<b>Harvest Assist Components</b>	<b>Page 8</b>
<b>Water Pump/Float</b>	<b>Page 9</b>

**ICE-O-Matic**  
**11100 East 45th Ave.**  
**Denver Co. 80239**  
**800-423-3367**

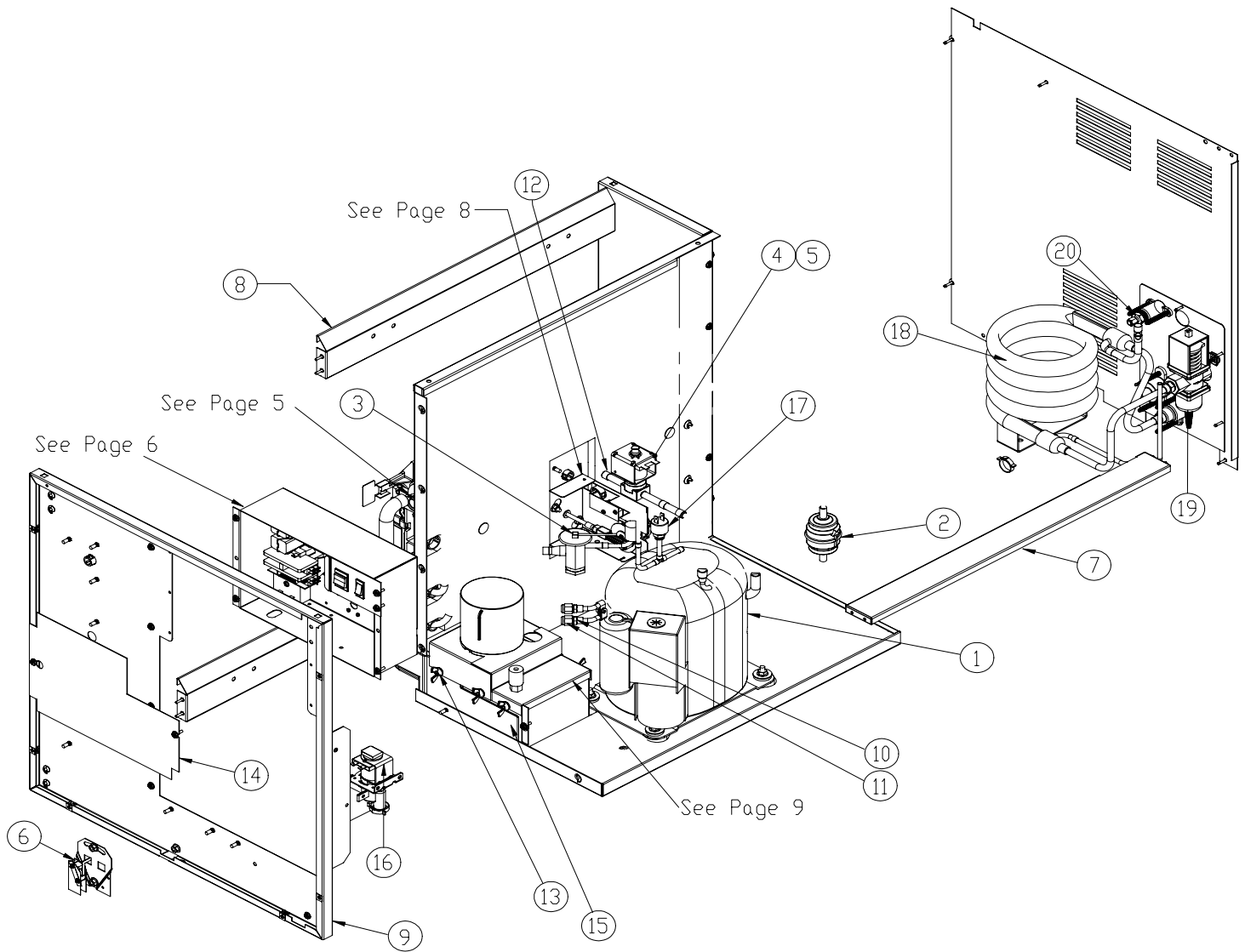


Item No.	Model Number				Description
	ICE0320	ICE0325	ICE0520	ICE0525	
1	2031490-01	2031490-01	2031490-01	2031490-01	Front Panel
2	3021831-01	3021831-01	3021831-01	3021831-01	Right Hand Side Panel-Air Cooled Only
	3021862-01	3021862-01	3021862-01	3021862-01	Right Hand Side Panel-Water Cooled Only
3	3021847-01	3021847-01	3021847-01	3021847-01	Top Panel
4	2101330-01	2101330-01	2101330-01	2101330-01	Left Hand Side Panel
5	9031098-03	9031098-03	9031098-03	9031098-03	Front Panel Screw
6	9031046-01	9031046-01	9031046-01	9031046-01	Side Panel Screw
7	3021838-01	3021838-01	3021838-01	3021838-01	Rear Cover Panel

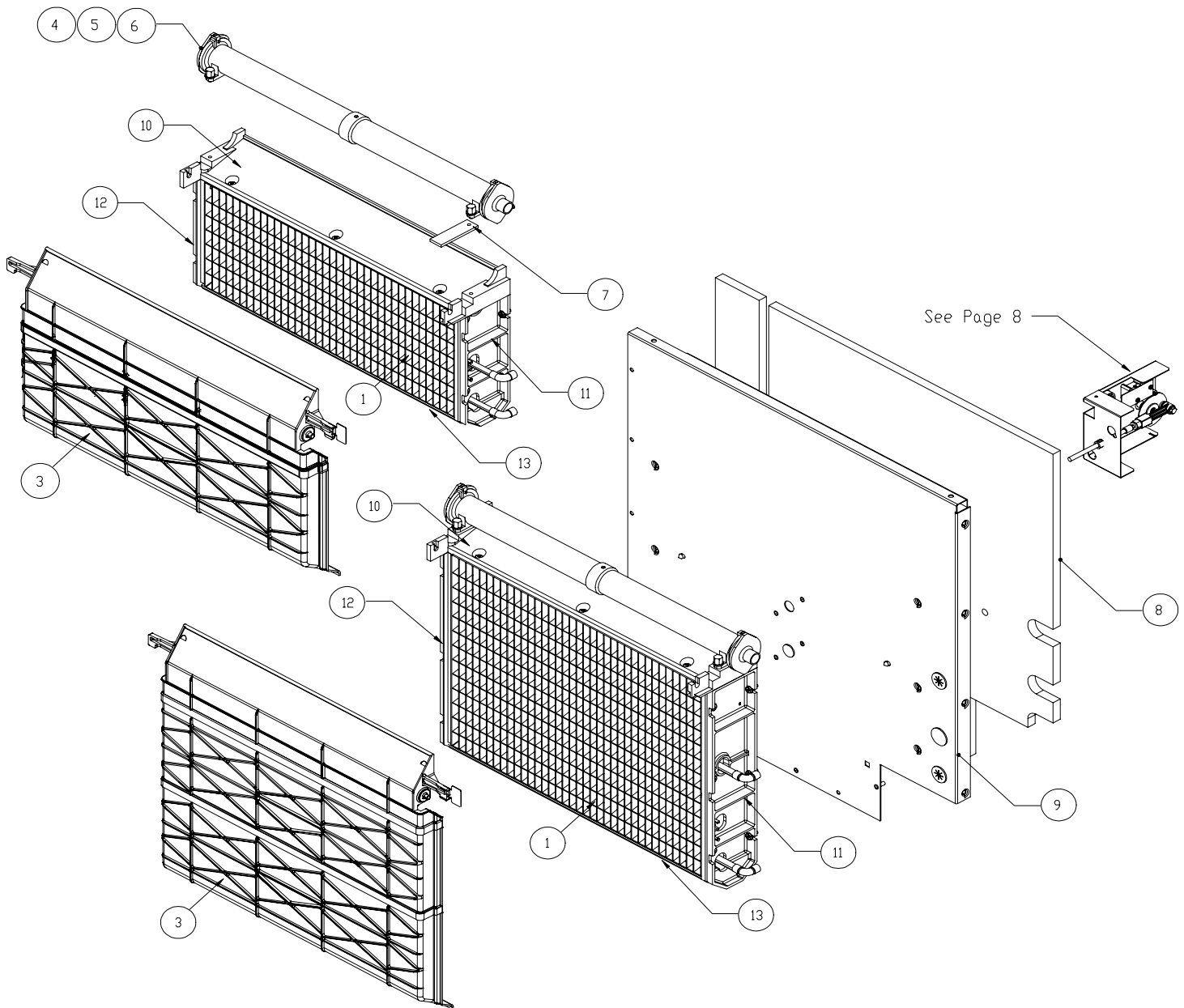
Item No.	Model Number				Description
	ICE0320	ICE0325	ICE0520	ICE0525	
1	2031465-12	2031465-12	2031465-12	2031465-12	Front Panel (Plastic)
2	3021831-01	3021831-01	3021831-01	3021831-01	Right Hand Side Panel-Air Cooled Only
	3021862-01	3021862-01	3021862-01	3021862-01	Right Hand Side Panel-Water Cooled Only
3	3051237-01	3051237-01	3051237-01	3051237-01	Top Panel (Plastic)
	9031098-02	9031098-02	9031098-02	9031098-02	Top Panel Screw
4	2101330-01	2101330-01	2101330-01	2101330-01	Left Hand Side Panel
5	9031098-02	9031098-02	9031098-02	9031098-02	Front Panel Screw
6	9031046-01	9031046-01	9031046-01	9031046-01	Side Panel Screw
7	3021838-01	3021838-01	3021838-01	3021838-01	Rear Cover Panel



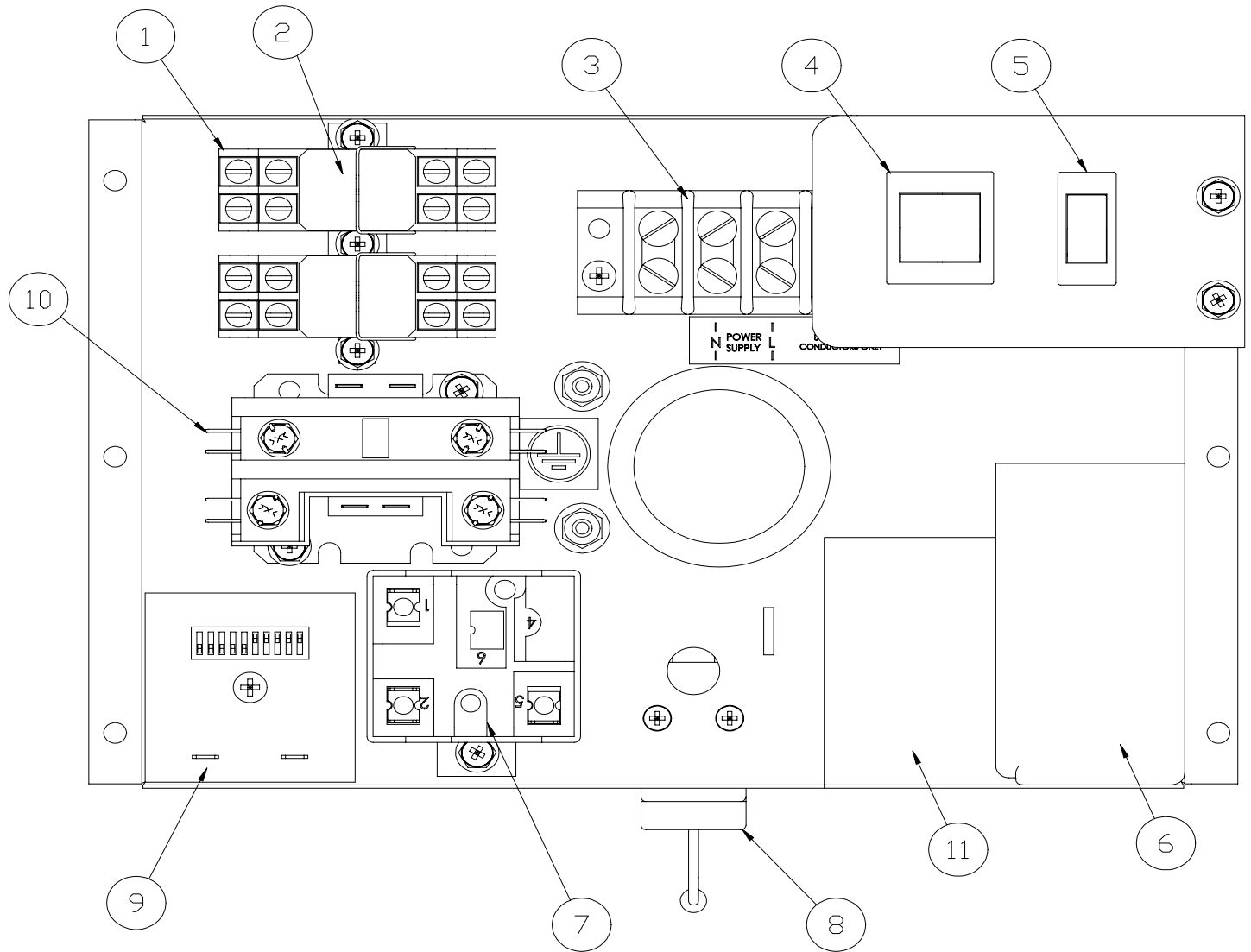
Item No.	Model Number				Description
	ICE0320	ICE0325	ICE0520	ICE0525	
1	9181121-11	9181122-11	9181121-11	9181127-11	Compressor Kit-- See page 6 for Compressor Components
2	9151004-02	9151004-02	9151004-02	9151004-02	Filter Drier
3	9151134-04	9151134-04	9151134-01	9151134-01	Expansion Valve
4	9151123-01	9151123-01	9151123-01	9151123-01	Hot Gas Valve Body
5	9151123-03	9151123-04	9151123-03	9151123-04	Hot Gas Valve Coil
6	9101124-02	9101124-02	9101124-02	9101124-02	Bin Switch
7	3012965-01	3012965-01	3012965-01	3012965-01	Side Brace
8	3012924-01	3012924-01	3012924-01	3012924-01	Ice Deflector
9	2021652-01	2021652-01	2021652-01	2021652-01	Front Frame panel
10	9091086-03	9091086-03	9091086-03	9091086-03	Service Valve Cap
11	9091086-02	9091086-02	9091086-02	9091086-02	Service Valve Core
12	9041098-01	9041098-01	9041098-01	9041098-01	High Temperature Safety Control
13	9031161-01	9031161-01	9031161-01	9031161-01	Nylon Wing Nut
14	3012974-01	3012974-01	3012974-01	3012974-01	Control Box Cover
15	9051478-01	9051478-01	9051478-01	9051478-01	Water Pan
16	9041086-04	9041086-05	9041086-04	9041086-05	Purge Valve
17	9041091-01	9041091-01	9041091-01	9041091-01	High Pressure Control
18	9041096-01	9041096-01	9041096-01	9041096-01	Fan Cycle Control



Item No.	Model Number				Description
	ICE0320	ICE0325	ICE0520	ICE0525	
1	9181121-11	N/A	9181121-11	N/A	Compressor Kit-- See page 6 for Compressor Components
2	9151004-02	N/A	9151004-02	N/A	Filter Drier
3	9151134-04	N/A	9151134-01	N/A	Expansion Valve
4	9151123-01	N/A	9151123-01	N/A	Hot Gas Valve Body
5	9151123-03	N/A	9151123-03	N/A	Hot Gas Valve Coil
6	9101124-02	N/A	9101124-02	N/A	Bin Switch
7	3012965-01	N/A	3012965-01	N/A	Side Brace
8	3012924-01	N/A	3012924-01	N/A	Ice Deflector
9	2021652-01	N/A	2021652-01	N/A	Front Frame panel
10	9091086-03	N/A	9091086-03	N/A	Service Valve Cap
11	9091086-02	N/A	9091086-02	N/A	Service Valve Core
12	9041098-01	N/A	9041098-01	N/A	High Temperature Safety Control
13	9031161-01	N/A	9031161-01	N/A	Nylon Wing Nut
14	3012974-01	N/A	3012974-01	N/A	Control Box Cover
15	9051478-01	N/A	9051478-01	N/A	Water Pan
16	9041086-04	N/A	9041086-04	N/A	Purge Valve
17	9041091-01	N/A	9041091-01	N/A	High Pressure Control
18	9141121-01	N/A	9141121-01	N/A	Water Cooled Condenser
19	9041059-01	N/A	9041059-01	N/A	Water Regulating Valve



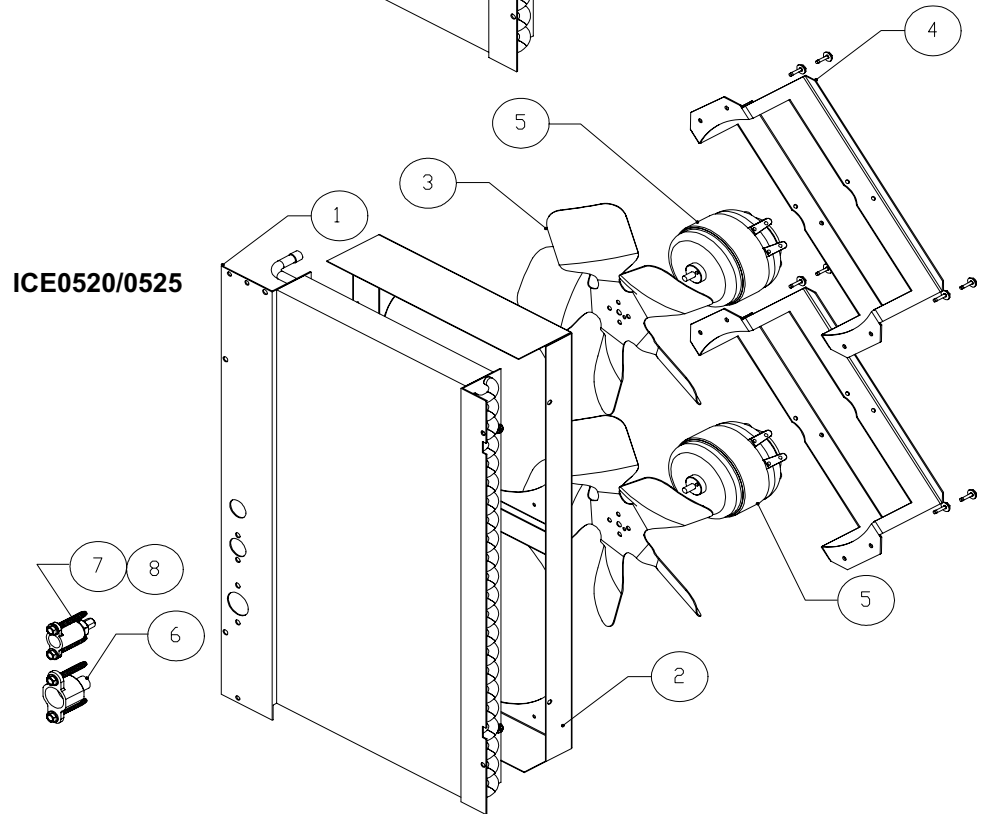
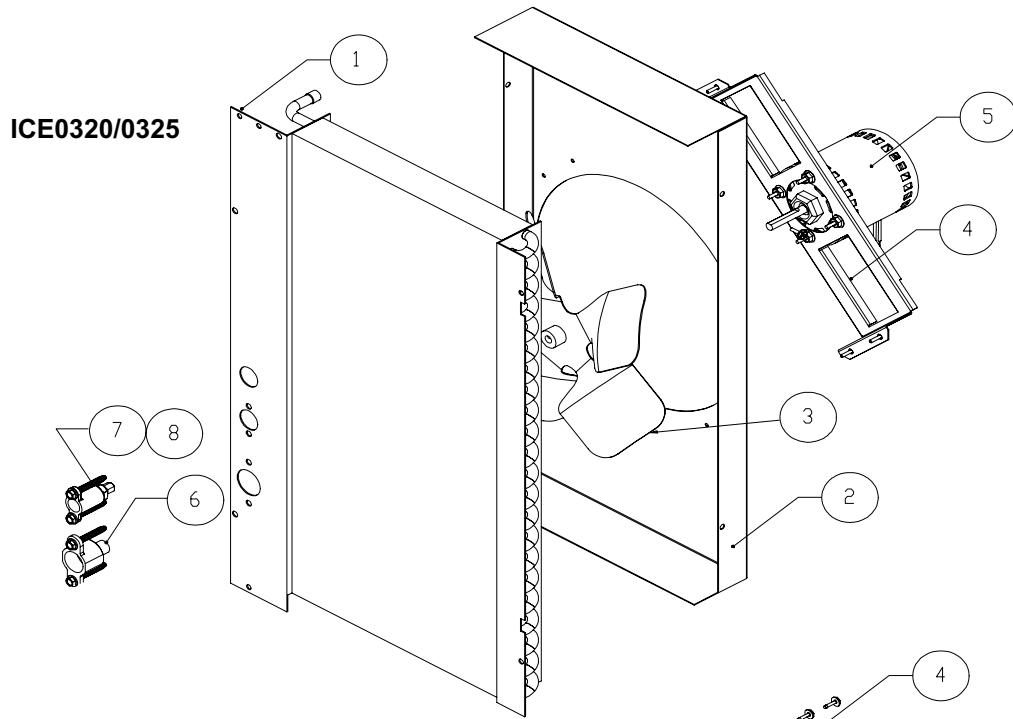
Item No.	Model Number				Description
	ICE0320	ICE0325	ICE0520	ICE0525	
1	2051222-01	2051222-01	2051232-01	2051232-01	Evaporator-Full Cube
1	2051222-02	2051222-02	2051232-02	2051232-02	Evaporator-Half Cube
3	2101387-01	2101387-01	2101355-04	2101355-04	Curtain
4	2041338-02	2041338-02	2041338-02	2041338-02	Water Distribution Tube
5	9031122-01	9031122-01	9031122-01	9031122-01	Thumb Screw
6	9031004-19	9031004-19	9031004-19	9031004-19	Washer
7	3012747-01	3012747-01	N/A	N/A	Curtain Stopper Clip
8	9131413-01	9131413-01	9131413-01	9131413-01	Insulation
9	2021651-01	2021651-01	2021651-01	2021651-01	Divider Panel
10	9051135-05	9051135-05	9051135-05	9051135-05	Evaporator Spillway
11	9051136-08	9051136-08	9051136-06	9051136-06	Evaporator Right Side Mounting Panel
12	9051136-07	9051136-07	9161136-05	9161136-05	Evaporator Left Side Mounting Panel
13	9051135-04	9051135-04	9051135-04	9051135-04	Evaporator Water Return



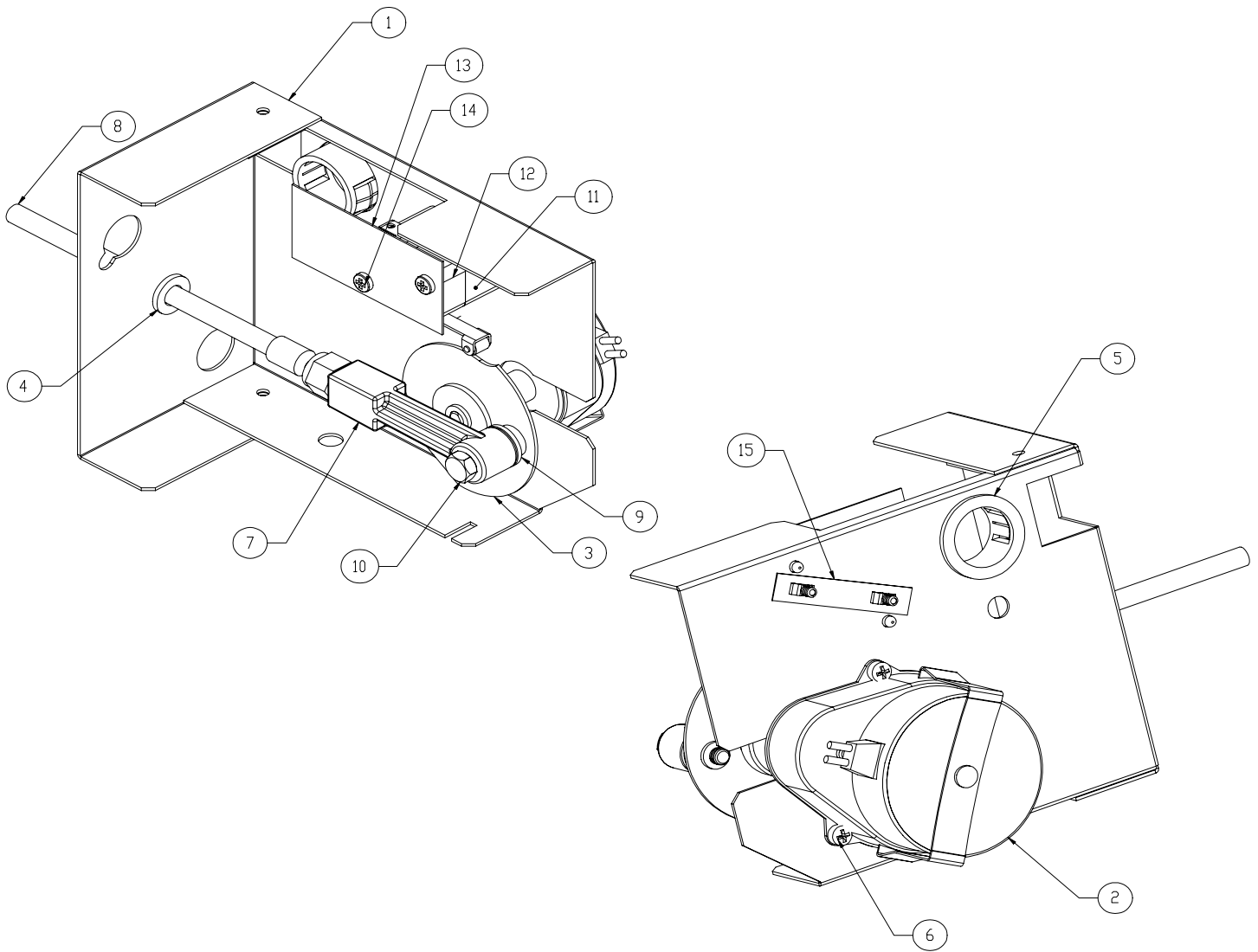
Item No.	Model Number				Description
	ICE0320	ICE0325	ICE0520	ICE0525	
1	9101083-01	9101083-01	9101083-01	9101083-01	Relay Socket
2	9101084-01	9101084-02	9101084-01	9101084-02	Relay
3	9101037-01	9101037-01	9101037-01	9101037-01	Terminal Board
4	9101195-01	9101195-01	9101195-01	9101195-01	On-Off Wash Switch
5	9101139-03	9101139-03	9101139-03	9101139-03	Purge Switch
6	9181003-09	9181003-40	9181003-09	9181003-45	Start Capacitor
7	9181004-27	9181010-26	9181004-27	9181010-30	Compressor Relay
8	9041094-01	9041094-01	9041094-01	9041094-01	Low Pressure Control
9	9101148-01	9101148-01	9101148-01	9101148-01	Timer
10	9101002-07	9101002-06	9101002-07	9101002-06	Contactor
11	N/A	9181009-08	N/A	9181009-08	Run Capacitor
12	9041098-01	9041098-01	9041098-01	9041098-01	High Temp Safety (Not Shown)
13	9101218-11	9101218-11	9101218-11	9101218-11	Water Pump Cord (Not Shown)

Specific Compressor Components				
ICE0320	ICE0325	ICE0520	ICE0525	
9181121-01	9181122-01	9181121-01	9181127-01	<b>Compressor</b>
9181003-39	9181003-40	9181003-39	9181003-45	<b>Start Capacitor</b>
N/A	9181009-08	N/A	9181009-08	<b>Run Capacitor</b>
9181004-27	9181010-26	9181004-27	9181010-30	<b>Relay</b>
9181005-37	9181005-39	9181005-37	9181005-44	<b>Overload</b>

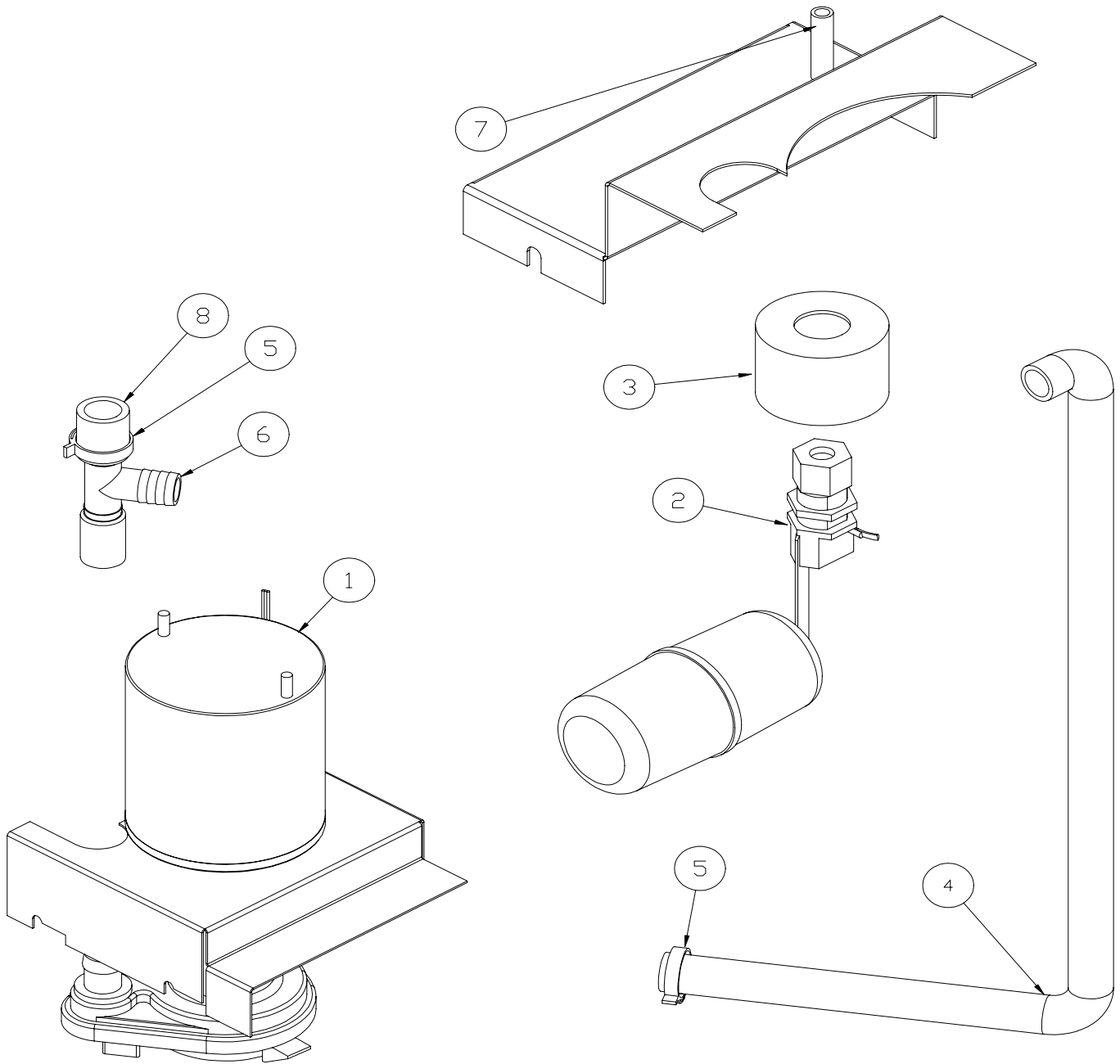




Item No.	Model Number				Description
	ICE0320	ICE0325	ICE0520	ICE0525	
1	9141118-01	9141118-01	9141118-01	9141118-01	Air Condenser
2	3013111-01	3013111-01	2021613-01	2021613-01	Fan Shroud
3	9131225-01	9131384-04	9131384-04	9131384-04	Fan Blade
4	3013059-01	3013252-01	3013252-01	3013252-01	Fan Motor Bracket
5	9161089-02	9161078-02	9161112-01	9161078-02	Fan Motor
6	9091119-01	9091119-01	9091119-01	9091119-01	Drain Fitting
7	9091074-01	9091074-01	9091074-01	9091074-01	Drop Adapter
8	9091083-01	9091083-01	9091083-01	9091083-01	Water Inlet Fitting



Item No.	Model Number				Description
	ICE0320	ICE0325	ICE0520	ICE0525	
1	3013170-01	3013170-01	3013170-01	3013170-01	Bracket, Probe Motor
2	9161030-01	9161031-01	9161030-01	9161031-01	Gear Motor
3	9131190-01	9131190-01	9131190-01	9131190-01	Clutch Assembly 180 Degree
4	9051001-13	9051001-13	9051001-13	9051001-13	Snap Bushing
5	9051001-03	9051001-03	9051001-03	9051001-03	Snap Bushing
6	9031019-08	9031019-08	9031019-08	9031019-08	#6-32 x 1/2 Fillister Head Screw
7	9051057-01	9051057-01	9051057-01	9051057-01	Connecting Rod
8	9021102-01	9021102-01	9021102-01	9021102-01	Probe, Single Length
9	9031003-03	9031003-03	9031003-03	9031003-03	Plain Flat Washer
10	9031119-01	9031119-01	9031119-01	9031119-01	Shoulder Screw
11	9051519-01	9051519-01	9051519-01	9051519-01	Spacer, Cam Switch
12	9101160-01	9101160-01	9101160-01	9101160-01	Cam Switch
13	3051145-02	3051145-02	3051145-02	3051145-02	Insulator, Switch
14	9031008-44	9031008-44	9031008-44	9031008-44	Pan Head Machine Screw
15	9031120-01	9031120-01	9031120-01	9031120-01	Speed Nut Plate
	2061962-01S	2061962-02S	2061962-01S	2061962-02S	Complete Assembly



Item No.	Model Number				Description
	ICE0320	ICE0325	ICE0520	ICE0525	
1	9161076-01	9161076-02	9161076-01	9161076-02	Water Pump
2	9131111-01	9131111-01	9131111-01	9131111-01	Float Assembly
3	9131026-02	9131026-02	9131026-02	9131026-02	Float Splash Shield
4	9051506-02	9051506-02	9051506-01	9051506-01	Water Pump Tube
5	9021010-04	9021010-04	9021010-04	9021010-04	Plastic Clamp
6	9091024-01	9091024-01	9091024-01	9091024-01	Barbed Tee
7	3032898-24	3032898-24	3032898-24	3032898-24	Water Inlet Tube, 1/4 Inch x 24 Inch
8	3051223-10	3051223-10	3051223-10	3051223-10	5/8 Inch ID x 10 Inch Long Tube

## Free Manuals Download Website

<http://myh66.com>

<http://usermanuals.us>

<http://www.somanuals.com>

<http://www.4manuals.cc>

<http://www.manual-lib.com>

<http://www.404manual.com>

<http://www.luxmanual.com>

<http://aubethermostatmanual.com>

Golf course search by state

<http://golfingnear.com>

Email search by domain

<http://emailbydomain.com>

Auto manuals search

<http://auto.somanuals.com>

TV manuals search

<http://tv.somanuals.com>