



IOD 250

- ✓ Stores 250 lbs. (114 Kgs.) of ICE
- ✓ Constructed from sturdy, corrosion-resistant 300 series stainless steel
- ✓ Only 30 inches (762 mm) wide

***ICE-O-Matic® is the Best ICE Making Solution for:
Hard Water, Food Safety and Tight Spaces***

Problem

Hard To Clean

Ice cube machine must be lifted off dispenser for cleaning

Inconsistent Ice Dispensing

Ice congeals in dispenser causing ice jams and inconsistent dispensing

Ice Melts Too Fast

Inadequate storage bin insulation causes ice to melt too quickly

Tight-Fitting Spaces

Counter space utilization

Sloppy Ice Dispensing

Ice dispenses inaccurately, often missing or overfilling the glass

Solution

Power Clean

Allows access to the dispenser for easy cleaning without moving the ICE machine

Greater Dispensibility

Auto Rotate - turns the ICE for 4 seconds every hour to consistently provide more dispensible ICE

Maximum Preservation

Dispenser bin is insulated with foam for maximum ICE preservation - 1 inch of insulation

Maximum ICE

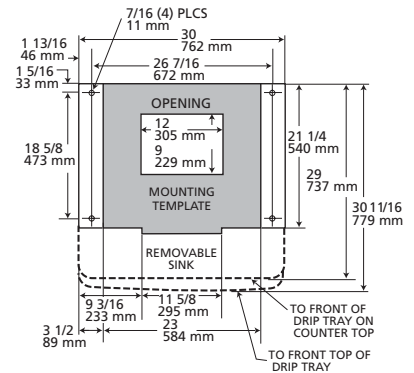
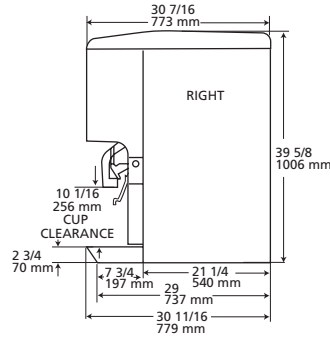
Maximum ICE storage in a minimum amount of space - 30 inches wide and holds 250 pounds of ICE

Worry-Free Dispensing

Direct Dispense - ensures that ICE hits the glass every time.
Quick Stop - prevents ICE overflow and waste.

IOD 250 Series ICE Dispenser

Dimensions

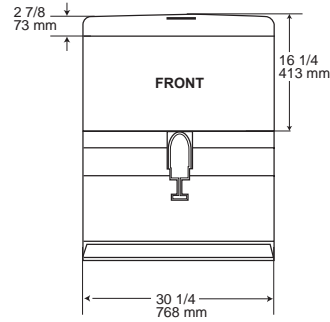


RECOMMENDED COUNTER OPENING SIZE 9" X 12" FOR UTILITIES AND TUBING. OPENING CAN BE LOCATED ANYWHERE WITHIN THE SHADED AREA.

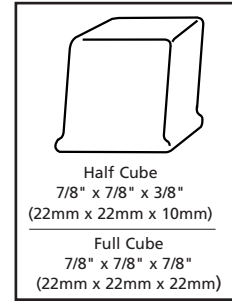
Side View

OPERATING LIMITS

Ambient Temp. Range	50° - 100°F (10° - 38°C)
Air & Water	50° - 100°F (10° - 38°C)
Water Temp. Range	40° - 100°F (4.5° - 38°C)
Water Pressures	Min. 20 psi Max. 120 psi
Electrical Voltage	Min. -5% Max. +10%



Front View



ORDERING AND SPECIFICATION INFORMATION

Model No.	Dispenser Operated by:	Bin Storage Applied Capacity*	Voltage Characteristics	No. of Wires	Min. Circuit Ampacity	Maximum Fuse Size	Shipping Weight lbs. (Kgs.)
IOD 250	Push Bar	250 (114)	115/60/1	Cord305	15	197 (89)	

*Applied capacity refers to actual weight of ice: one cubic foot weighs 32.9 lbs (15 kg). Call factory for other dispensing options.

ICE PRODUCTION FOR OPTIONAL CUBE ICE MAKERS — POUNDS (KILOGRAMS) PER 24 HOURS

Model	ICE 0250	ICE 0400	ICE 0500	ICE0606
Air-Cooled lbs. (kgs.)	352 (160)	506 (230)	625 (284)	706 (321)
Water-Cooled lbs. (kgs.)	351 (160)	528 (240)	567 (258)	647 (294)
Remote-Cooled lbs. (kgs.)	n/a	n/a	591 (269)	727 (330)
Voltage Char.	115/60/1	115/60/1	115/60/1	208-230/60/1

1. Tested at 70° Air/50° Water.
2. All specifications and performance data are subject to normal manufacturing variances.

Options:

KWGFID	water glass filler kit for 30" IOD	2 (1)
KBT25022	adapter for 22" cubers on 30" IOD	24/11
KBT25030	adapter for 22" cubers on 30" IOD	24/11

ICE-O-Matic's® machines are not designed for outdoor installations. ICE-O-Matic® remote condensers are designed for outdoor installations.

Machine requires voltage indicated on rating name plate. Failures caused by improper voltage are not considered factory defects. Extended periods of operation at temperature exceeding limitations constitutes misuse under the terms of ICE-O-Matic® Manufacturer's Limited Warranty, resulting in a loss of warranty coverage. Specifications and design are subject to change without notice.



Free Manuals Download Website

<http://myh66.com>

<http://usermanuals.us>

<http://www.somanuals.com>

<http://www.4manuals.cc>

<http://www.manual-lib.com>

<http://www.404manual.com>

<http://www.luxmanual.com>

<http://aubethermostatmanual.com>

Golf course search by state

<http://golfingnear.com>

Email search by domain

<http://emailbydomain.com>

Auto manuals search

<http://auto.somanuals.com>

TV manuals search

<http://tv.somanuals.com>