

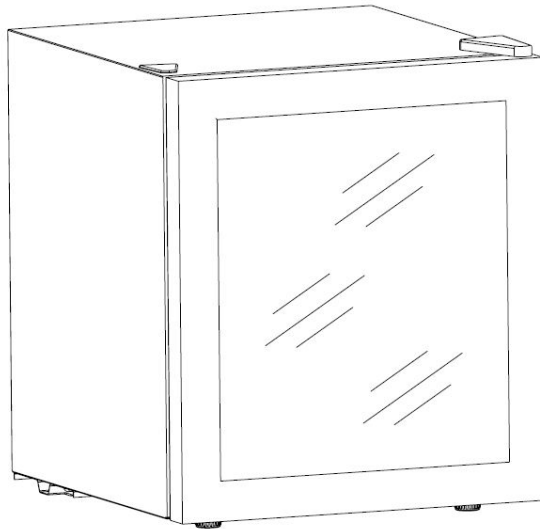


More Than Cool™

INSTRUCTION MANUAL

Model Number:

**FRW154C
15 Bottles Wine Cooler**



CAUTION:

BEFORE USE, PLEASE READ AND FOLLOW ALL SAFETY RULES AND OPERATING INSTRUCTIONS.

Igloo® is a registered trademark of Igloo Products Corp.
Licensed to
Curtis International LTD
315 Attwell Drive, Etobicoke, Ontario, M9W 5C1, Canada

Table of Contents

Wine Cooler Safety	3
Important Safeguides	4
Parts and Features	5
Important Safety Instructions	6
Installation Instructions	6
Before Using Your Wine Cooler	6
Installation of Your Wine Cooler	6
Electrical Connection	7
Extension Cord	7
Operating Your Appliance	8
Setting the Temperature Control	8
Storage Capacity	8
Care and Maintenance	9
Defrosting Your Wine Cooler	9
Cleaning Your Appliance	9
Vacation Time	9
Moving Your Wine Cooler	9
Energy Saving Tips	9
Troubleshooting Guide	10
Wiring Diagram	10

WINE COOLER SAFETY

Your safety and the safety of others are very important.

We have provided many important safety messages in this manual for your appliance. Always read and obey all safety messages.



This is the Safety Alert Symbol. This symbol alerts you to potential hazards that can kill or injure you and others. All safety messages will follow the Safety Alert Symbol and either the words "DANGER", "WARNING" or "CAUTION".



Danger means that failure to heed this safety statement may result in severe personal injury or death.



Warning means that failure to heed this safety statement may result in extensive product damage, serious personal injury, or death.



Caution means that failure to heed this safety statement may result in minor or moderate personal injury, property or equipment damage.

All safety messages will alert you to know what the potential hazard is, tell you how to reduce the chance of injury, and let you know what can happen if the instructions are not followed.

IMPORTANT SAFEGUIDES



Before the Wine Cooler is used, it must be properly positioned and installed as described in this manual, so read the manual carefully. To reduce the risk of fire, electrical shock or injury when using the Wine Cooler, follow basic precautions, including the following:

DANGER

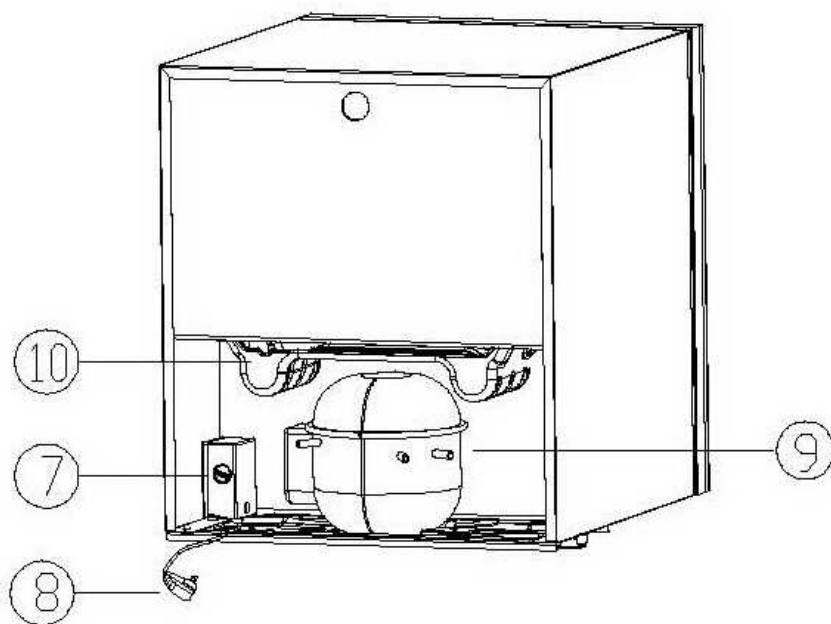
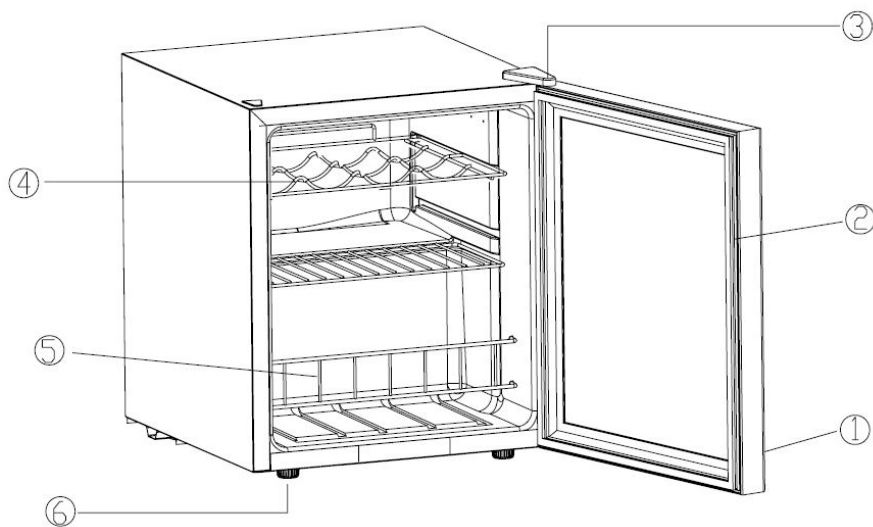
- Plug into a grounded 3-prong outlet, do not remove grounding prong, do not use an adapter, and do not use an extension cord.
- It is recommended that a separate circuit, serving only your Wine Cooler be provided. Use receptacles that cannot be turned off by a switch or pull chain.
- Never clean Wine Cooler parts with flammable fluids. These fumes can create a fire hazard or explosion. And do not store or use gasoline or other flammable vapors and liquids in the vicinity of this or any other appliance. The fumes can create a fire hazard or explosion.
- Before proceeding with cleaning and maintenance operations, make sure the power line of the unit is disconnected.
- Do not connect or disconnect the electric plug when your hands are wet.
- Unplug the Wine Cooler or disconnect power before cleaning or servicing. Failure to do so can result in electrical shock or death.
- Do not attempt to repair or replace any part of your Wine Cooler unless it is specifically recommended in this manual. All other servicing should be referred to a qualified technician.

WARNING

FOLLOW WARNING CALL OUTS BELOW ONLY WHEN APPLICABLE TO YOUR MODEL

- Use two or more people to move and install Wine Cooler. Failure to do so can result in back or other injury.
- To ensure proper ventilation for your Wine Cooler, the front of the unit must be completely unobstructed. Choose a well-ventilated area with temperatures above 60°F (16°C) and below 90°F (32°C). This unit must be installed in an area protected from the elements, such as wind, rain, water spray or drips.
- The Wine Cooler should not be located next to ovens, grills or other sources of high heat.
- The Wine Cooler must be installed with all electrical, water and drain connections in accordance with state and local codes. A standard electrical supply (120 V AC only, 60 Hz), properly grounded in accordance with the National Electrical Code and local codes and ordinances is required.
- Do not kink or pinch the power supply cord of Wine Cooler.
- The fuse (or circuit breaker) size should be 15 amperes.
- It is important for the Wine Cooler to be leveled in order to work properly. You may need to make several adjustments to level it.
- All installation must be in accordance with local plumbing code requirements.
- Make certain that the pipes are not pinched or kinked or damaged during installation.
- Check for leaks after connection.
- Never allow children to operate, play with or crawl inside the Wine Cooler.
- Although the unit has been tested at the factory, due to long-term transit and storage, the first batch of cubes must be discarded.
- Do not use solvent-based cleaning agents or abrasives on the interior. These cleaners may damage or discolor the interior.
- Do not use this apparatus for other than its intended purpose.

PARTS & FEATURES



1	Glass Door	6	Levelling Leg
2	Door Seal	7	Temperature Control
3	Door Hinge	8	Power Cord
4	Wine Shelf (2)	9	Compressor
5	Bottle Rack	10	Water Box

IMPORTANT SAFETY INSTRUCTIONS

⚡ WARNING ⚡	To reduce the risk of fire, electrical shock, or injury when using your appliance, follow these basic precautions:
<ul style="list-style-type: none">• Read all instructions before using the Wine Cooler.• DANGER or WARNING: Risk of child entrapment. Child entrapment and suffocation are not problems of the past. Junked or abandoned appliances are still dangerous . . . even if they will “just sit in the garage a few days”.• Before you throw away your old Wine Cooler: Take off the door. Leave the shelves in place so that children may not easily climb inside.• Never allow children to operate, play with, or crawl inside the appliance.• Never clean appliance parts with flammable fluids. The fumes can create a fire hazard or explosion.• Do not store or use gasoline or any other flammable vapors and liquids in the vicinity of this or any other appliance. The fumes can create a fire hazard or explosion.• Do not repair or replace any part of the Wine Cooler or attempt any servicing unless specifically recommended in the user-maintenance instructions or in published user-repair instructions. Replace the fuse with the same type. <p style="text-align: center;">-Save these instructions-</p>	

INSTALLATION INSTRUCTIONS

➤ **Before Using Your Wine Cooler**

- Remove the exterior and interior packing.
- Check to be sure you have all of the following parts:
 - 2 Shelves (1 Large / 1 small)
 - 1 Instruction Manual
 - 1 warranty card
- Clean the interior surface with lukewarm water using a soft cloth.

➤ **Installation of Your Wine Cooler**

- This Wine Cooler is designed to be free standing installation only, and should not be recessed or built-in (Fully recessed).
- Place your Wine Cooler on a surface that is strong enough to support it when it is fully loaded.
- Allow 5 inches of space between the back and sides of the Wine Cooler, which allows the proper air circulation to cool the heat sink.
- Locate the Wine Cooler away from direct sunlight and sources of heat (stove, heater, radiator, etc.). Direct sunlight may affect the acrylic coating and heat sources may increase electrical consumption. Extreme cold ambient temperatures may also cause the unit not to perform properly.
- **This Wine Cooler uses compressor refrigeration technology and is not designed for storage in hot areas like garages,** warehouses or outdoors since it is designed to operate at a maximum of 30 degrees below the ambient temperature.
- Avoid locating the unit in moist areas.
- Plug the Wine Cooler into an exclusive, properly installed-grounded wall outlet. Do not under any circumstances cut or remove the third (ground) prong from the power cord. Any questions concerning power and/or grounding should be directed toward a certified electrician or an authorized service center.
- After plugging the Wine Cooler into a wall outlet, allow the unit to cool down for 2-3 hours before placing any items in the compartment.

➤ **Electrical Connection**

⚡ Warning ⚡

Improper use of the grounded plug can result in the risk of electrical shock. If the power cord is damaged, have it replaced by an authorized service center.

This appliance should be properly grounded for your safety. The power cord of this appliance is equipped with a three-prong plug which mates with standard three prong wall outlets to minimize the possibility of electrical shock.

Do not under any circumstances cut or remove the third ground prong from the power cord supplied. For personal safety, this appliance must be properly grounded.

This appliance requires a standard 120 Volt AC / 60Hz electrical ground outlet with three-prong. Have the wall outlet and circuit checked by a qualified electrician to make sure the outlet is properly grounded. When a standard 2-prong wall outlet is encountered, it is your responsibility and obligation to have it replaced with a properly grounded 3-prong wall outlet.

The cord should be secured behind the appliance and not left exposed or dangling to prevent accidental injury.

The appliance should always be plugged into its own individual electrical outlet which has a voltage rating that matches the rating label on the appliance. This provides the best performance and also prevent overloading house wiring circuits that could cause a fire hazard from overheated. Never unplug the appliance by pulling the power cord. Always grip the plug firmly and pull straight out from the receptacle. Repair or replace immediately all power cords that have become frayed or otherwise damaged. Do not use a cord that shows cracks or abrasion damage along its length or at either end. When moving the appliance, be careful not to damage the power cord.

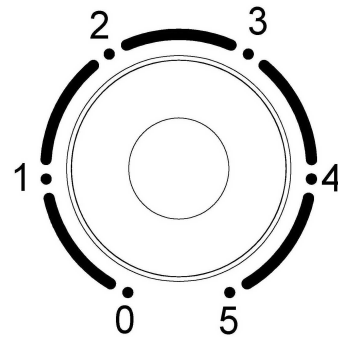
➤ **Extension Cord**

Because of potential safety hazards under certain conditions, it is strongly recommended that you do not use an extension cord with this appliance. However, if you must use an extension cord it is absolutely necessary that it be a UL/CUL-Listed, 3-wire grounding type appliance extension cord having a grounding type plug and outlet and that the electrical rating of the cord be 120 volts and at least 10 amperes.

OPERATING YOUR WINE COOLER

➤ Setting the Temperature Control

- To control the internal temperature, adjust the control dial according to the ambient temperature or purpose of use.
- The first time you turn the unit on, set the temperature control to "5" (coldest setting).
- The temperature range to control is 4°C~18°C, and the relative setting position is from "5" to "0". After 24 to 48 hours, adjust the temperature control to the setting that best suites your needs. The setting of "3" should be correct for home or office Wine Cooler use.



NOTE:

- If the unit is unplugged, has lost power, or turned off; you must wait 3 to 5 minutes before restarting the unit. If you attempt to restart before this time delay, the Wine Cooler will not start.

➤ Storage Capacity

NOTE: You can place 15 standard bottles in this Wine Cooler.

Many bottles may differ in size and dimensions. As such the actual number of bottles you may be able to store may vary. Bottle capacities are approximate maximums when storing traditional Bordeaux 750ml bottles and include bulk storage.

CARE AND MAINTENANCE

➤ Defrosting Your Wine Cooler

Defrost the Wine Cooler when the frost accumulated on the evaporator is about 5mm (1/5 inch) thick. Set the thermostat dial to "0" position. Defrosting usually takes a few hours. After defrosting, return the thermostat dial to the desired position. To defrost quickly remove Wines from the Wine Cooler and leave the door open. Never use a knife or other metal instrument to scrape ice/frost from the evaporator.

➤ Cleaning Your Wine Cooler

- Turn the temperature control to "0", unplug the Wine Cooler, and remove the wine and shelves.
- Wash the inside surfaces with a warm water and baking soda solution. The solution should be about 2 tablespoons of baking soda to a quart of water.
- Wash the shelves with a mild detergent solution.
- The outside of the Wine Cooler should be cleaned with mild detergent and warm water.
- Wring excess water out of the sponge or cloth before cleaning the area of the controls, or any electrical parts.
- Wash the outside cabinet with warm water and mild liquid detergent. Rinse well and wipe dry with a clean soft cloth.

➤ Vacation Time

- **Short vacations:** Leave the Wine Cooler operating during vacations of less than three weeks.
- **Long vacations:** If the appliance will not be used for several months, remove all items and unplug the power cord. Clean and dry the interior thoroughly. To prevent odor and mold growth, leave the door open slightly: blocking it open if necessary.

•

➤ Moving Your Wine Cooler

- Remove all bottles.
- Securely tape down all loose items (shelves) inside your appliance.
- Tape the door shut.
- Protect outside of appliance with a blanket, or similar item.

•

➤ Energy Saving Tips

- The Wine Cooler should be located in the coolest area of the room, away from heat producing appliances, and out of the direct sunlight.
- Overloading the Wine Cooler forces the compressor to run longer.

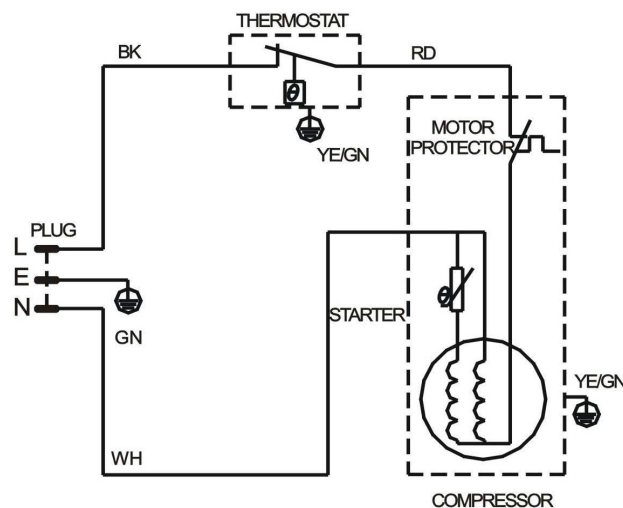
PROBLEMS WITH YOUR WINE COOLER?

You can solve many common Wine Cooler problems easily, saving you the cost of a possible service call. Try the suggestions below to see if you can solve the problem before calling the service.

TROUBLESHOOTING GUIDE

PROBLEM	POSSIBLE CAUSE
Wine Cooler does not operate.	Not plugged in. The circuit breaker tripped or a blown fuse.
Turns on and off frequently.	The room temperature is hotter than normal. The door is opened too often. The door is not closed completely. The temperature control is not set correctly. The door gasket does not seal properly. The Wine Cooler does not have the correct clearances.
Vibrations.	Check to assure that the Wine Cooler is level.
The Wine Cooler seems to make too much noise.	The rattling noise may come from the flow of the refrigerant, which is normal. As each cycle ends, you may hear gurgling sounds caused by the flow of refrigerant in your Wine Cooler. Contraction and expansion of the inside walls may cause popping and crackling noises. The Wine Cooler is not level.
The door will not close properly.	The Wine Cooler is not level. The door was reversed and not properly installed. The gasket is dirty. The shelves are out of position.

WIRING DIAGRAM



PRINTED IN CHINA

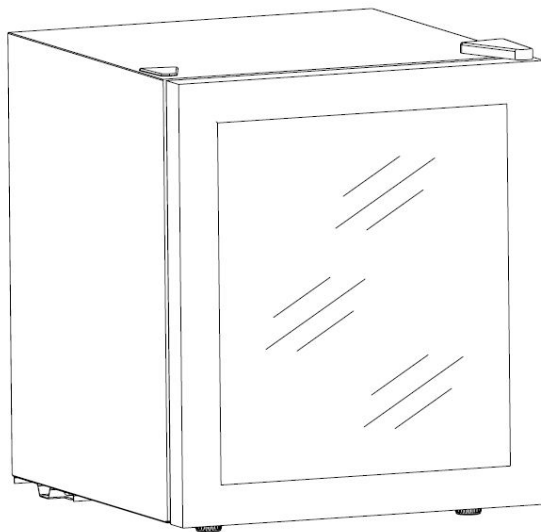


Manuel d'utilisation

Modèle No:

FRW154C

Cellier de vin 15 Bouteilles



ATTENTION:

LISEZ ET OBSERVEZ TOUTES LES CONSIGNES DE SECURITE ET D'UTILISATION AVANT D'UTILISER L'UNITE.

Igloo® est une marque commerciale de Igloo Products Corp.
Utilisée sous licence par
Curtis International LTD
315 Attwell Drive, Etobicoke, Ontario, M9W 5C1, Canada

Sommaire

Sécurité lors de l'utilisation de la Refroidisseur à vin	3
Précautions importantes	4
Composant et fonctionnalités	5
Consignes de sécurité importantes	6
Instructions d'installation	6
Avant d'utiliser la Refroidisseur à vin	6
Installation de la Refroidisseur à vin	6
Raccordements	7
Rallonges	7
Mode opératoire	8
Réglage du thermostat	8
Capacité de stockage	8
Soin et entretien	9
Dégivrage de la Refroidisseur à vin	9
Nettoyage de l'unité	9
Vacances	9
Déplacement de la Refroidisseur à vin	9
Conseils pour économiser l'énergie	9
Guide de dépannage	10
Schéma de raccordement	10

SECURITE LORS DE L'UTILISATION DE LA REFROIDISSEUR A VIN

Votre sécurité ainsi que celle des autres est très importante.

De nombreux avertissements figurent dans le manuel de cette unité. Lisez et observez toujours les avertissements.



Il s'agit d'un symbole d'avertissement de sécurité. Ce symbole vous alerte des risques potentiels qui peuvent entraîner votre mort ou vous blesser ainsi que d'autres personnes. Tous les messages d'avertissements sont suivis du symbole d'avertissement et les indications "DANGER", "AVERTISSEMENT" ou "ATTENTION".



Danger signifie que le non respect de cet avertissement peut se résulter par de sérieuses blessures personnelles ou la mort.



Avertissement signifie que le non respect de cet avertissement peut se résulter par des dommages permanents du produit, de sérieuses blessures personnelles ou la mort.



Attention signifie que le non respect de cet avertissement peut se résulter par des blessures personnelles mineures ou modérées, des dommages de propriété ou d'équipements.

Tous les messages d'avertissements vous feront prendre connaissance du risque potentiel présent, comment réduire les risques de blessures personnelles et se qui se produit en cas de non respect des instructions d'utilisation.

PRECAUTIONS IMPORTANTES



Avant d'utiliser la Refroidisseur à vin, celle-ci doit être correctement installée et placée conformément au manuel d'utilisation, veuillez donc le lire attentivement. Afin de réduire les risques d'incendie, d'électrocution ou de blessures personnelles lorsque vous utilisez la Refroidisseur à vin, observez les précautions de base, notamment:



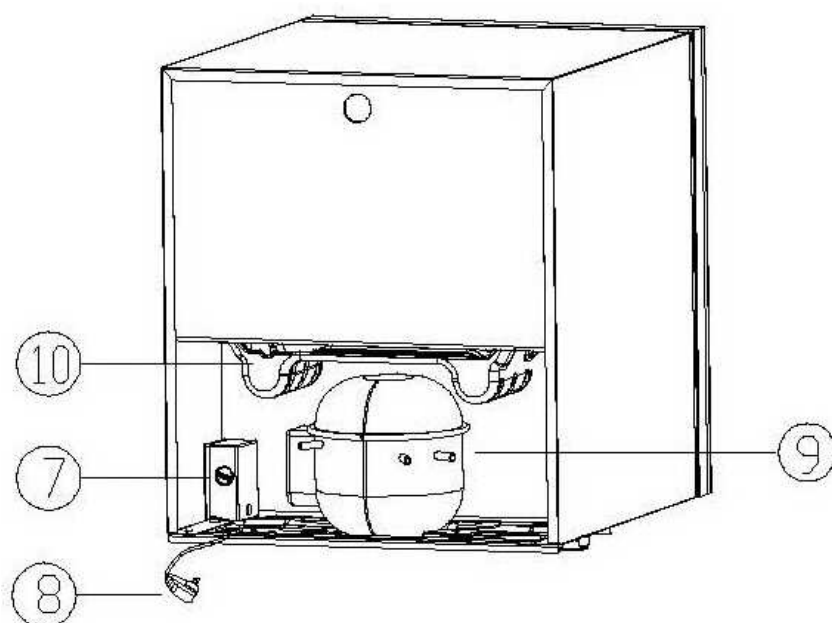
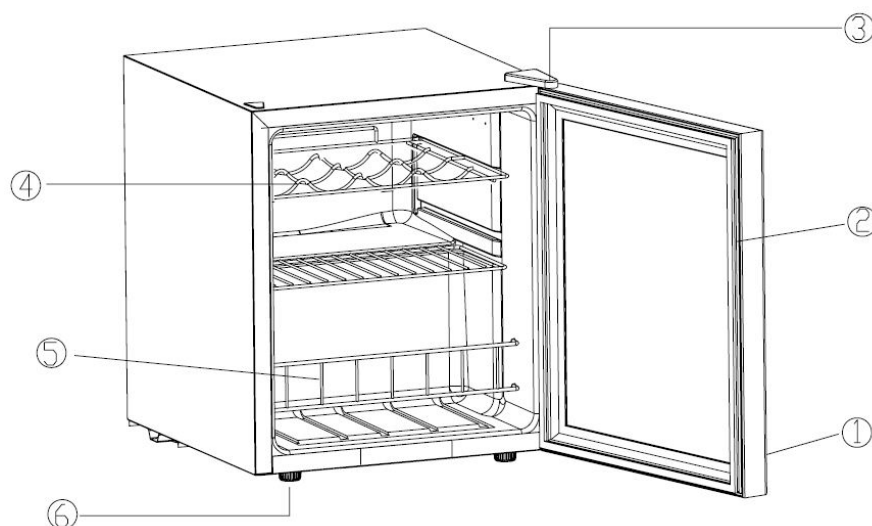
- Raccordez le cordon d'alimentation à une prise murale disposant de trois trous, de détachez pas la broche de mise à la terre, n'utilisez pas d'adaptateurs et de rallonges.
- Il est recommandé de raccorder la Refroidisseur à vin sur une prise murale dédiée. Utilisez les prises de courant ne possédant pas d'interrupteurs.
- Ne nettoyez jamais la Refroidisseur à vin avec des liquides inflammables. Ces fumées peuvent entraîner un incendie ou une explosion. Ne rangez pas et n'utilisez pas d'essence, liquides ou autres vapeurs inflammables près de cet ou tout autre appareil. Ces fumées peuvent entraîner un incendie ou une explosion.
- Déconnectez le cordon avant de procéder à tout entretien ou nettoyage de l'unité.
- Ne connectez/déconnectez pas la fiche du cordon avec les mains mouillées.
- Débranchez la Refroidisseur à vin avant de procéder à tout entretien ou nettoyage. Ne pas faire cela peut se résulter par une électrocution ou la mort.
- Ne tentez pas de réparer ou de remplacer un composant de la Refroidisseur à vin à moins que ceci soit spécifiquement recommandé dans ce manuel. Tous les autres entretiens de l'unité doivent être effectués par un technicien qualifié.



OBSERVEZ SEULEMENT LES MESSAGES D'AVERTISSEMENT APPLICABLES A VOTRE MODELE

- Deux personnes ou plus sont nécessaires pour déplacer la Refroidisseur à vin. Déplacer la Refroidisseur à vin par soi-même peut se résulter par des maux de dos ou autres blessures corporelles.
- Pour assurer une correcte ventilation de la Refroidisseur à vin, dégagez tout obstacle se trouvant devant la porte de l'unité. Choisissez un endroit aéré dont la température excède 60°F (16°C) et se situe en dessous de 90°F (32°C). Cette unité doit être installée dans un endroit protégé des éléments tels que le vent, la pluie, les éclaboussures et égouttements.
- N'installez pas la Refroidisseur à vin près d'un four, grill ou autre source de forte chaleur.
- La Refroidisseur à vin doit être installée de manière à ce que les raccordements électriques, de drainage et d'eau soient conformes aux règlements locaux. Une alimentation électrique standard (120 V CA seulement, 60 Hz), mise à la terre en conformité au Code national électrique, ordonnances et règlements locaux est nécessaire.
- Ne pliez pas et ne piétinez pas le cordon d'alimentation de la Refroidisseur à vin.
- L'intensité du fusible (ou disjoncteur) doit être de 15 ampères.
- Nivelez la Refroidisseur à vin afin d'assurer son bon fonctionnement. Plusieurs réglages sont nécessaires pour la niveler.
- L'installation doit être conforme au code électrique local.
- Assurez-vous que les tuyaux ne sont pas pincés, écrasés ou endommagés lors de l'installation.
- Une fois les raccordements effectués, vérifiez qu'il n'y ait pas de fuites.
- Ne laissez jamais des enfants utiliser, jouer avec la Refroidisseur à vin ou grimper dessus.
- Bien que l'unité ait subi des tests en usine, vous devez supprimer les premières formations de givre en raison du long transport et du rangement de l'unité.
- N'utilisez pas de nettoyeurs ou abrasifs à base de solvants pour nettoyer les parois internes de l'unité. Ces nettoyeurs pourraient endommager ou décolorer les parois intérieures.
- Utilisez seulement cette unité conformément au manuel d'utilisation.

COMPOSANTS & FONCTIONNALITES



1	Vitre de la porte	6	Pied de réglable
2	Joint de porte	7	Thermostat
3	Charnière de la porte	8	Cordon d'alimentation
4	Tiroir à vin (2)	9	Compresseur
5	Clayette	10	Réservoir d'eau

CONSIGNES DE SECURITE IMPORTANTES

⚡ AVERTISSEMENT ⚡	Afin de réduire les risques d'électrocution, d'incendie ou de blessures personnelles lorsque vous utilisez l'unité, observez ces précautions de base:
<ul style="list-style-type: none">• Lisez toutes les instructions avant d'utiliser la Refroidisseur à vin.• DANGER ou AVERTISSEMENT: risque de prise au piège pour les enfants. La prise au piège et l'étouffement sont toujours d'actualité. Les appareils électroménagers usagés ou abandonnés sont dangereux . . . même lorsque ceux-ci "sont rangés dans le garage seulement pendant quelques jours."• Avant de disposer de votre Refroidisseur à vin: retirez la porte. Laissez les clayettes en place afin que les enfants ne puissent pénétrer à l'intérieur de l'unité.• Ne laissez jamais les enfants utiliser, jouer ou entrer à l'intérieur de l'unité.• Ne nettoyez jamais les composants de l'unité avec des liquides inflammables. Les fumées peuvent entraîner un incendie ou une explosion.• N'utilisez pas et ne rangez pas d'essence ou tous autres liquides et vapeurs inflammables près de cette unité ainsi que tout autre appareil électrique. Les fumées peuvent entraîner un incendie ou une explosion.• Ne tentez pas de réparer ou de remplacer un composant de la Refroidisseur à vin à moins que ceci soit spécifiquement recommandé dans les instructions d'entretien ou de réparation. Remplacez le fusible par un fusible de même type. <p style="text-align: center;">-<Conservez ces instructions-</p>	

INSTRUCTIONS D'INSTALLATION

➤ Avant d'utiliser la Refroidisseur à vin

- Retirez les emballages externes et internes.
- Vérifiez que vous êtes en possession des éléments suivants:
 - 2 clayettes (1 grande / 1 petite)
 - 1 manuel d'utilisation
 - 1 livret de garantie
- Nettoyez les parois internes de la Refroidisseur à vin avec de l'eau tiède et un chiffon doux.

➤ Installation de la Refroidisseur à vin

- Cet appareil a été conçu pour être posé dans un endroit aéré, et ne doit en aucun cas être encastré (complètement encastré).
- Installez l'unité sur une surface suffisamment solide et permettant de supporter l'unité lorsque celle-ci est chargée.
- Laissez 5 pouces d'espace à l'arrière et sur les côtés de l'unité, ceci permet une correcte ventilation ainsi que de refroidir le circuit de refroidissement.
- Installez l'unité à l'écart des sources de chaleur et les rayonnements directs du soleil (poêles, chaudière, radiateur, etc.). Les rayonnements directs du soleil peuvent affecter le revêtement acrylique de l'unité, les sources de chaleur peuvent accroître la consommation d'énergie de l'appareil. Les températures ambiantes extrêmement chaudes ou froides peuvent également entraîner des dysfonctionnements.
- Cette cave à vin emploie une technologie de réfrigération par compresseur et n'est donc pas conçue pour être installée dans un endroit chaud comme garages, entrepôt ou à l'extérieur car celle-ci est conçue pour fonctionner à une température maximale de 30 degrés en dessous de la température ambiante.
- N'exposez pas la Refroidisseur à vin aux endroits humides.

- Raccordez la Refroidisseur à vin à une prise de courant dédiée et correctement installée. Ne jamais couper ou retirer la troisième broche (mise à la terre) de la fiche du cordon d'alimentation. Contactez un électricien ou un centre de réparation agréé en cas de questions liées à l'alimentation et/ou la mise à la terre.
- Une fois la Refroidisseur à vin raccordée à une prise de courant, laissez l'unité refroidir pendant 2-3 heures avant de placer du vin à l'intérieur.

➤ **Raccordements**

⚡ Avertissement ⚡

Toute utilisation inappropriée de la fiche de courant mise à la terre peut se résulter par un danger d'électrocution. Lorsque le cordon d'alimentation est endommagé, faites-le remplacer par un centre de réparation agréé.

Cette unité doit être correctement mise à la terre pour votre sécurité. Le cordon d'alimentation de cette unité est équipé d'une fiche équipée de trois broches pouvant s'adapter à une prise murale à trois trous pour minimiser les risques d'électrocution.

En toutes circonstances, ne coupez pas et ne retirez pas la troisième broche de la fiche du cordon. Pour votre propre sécurité, cette unité doit correctement être mise à la terre.

Cette unité nécessite une prise de courant standard 120 Volt AC / 60Hz à trois trous. Faites vérifier votre circuit électrique ainsi que la prise de courant par un électricien qualifié afin que la prise de courant soit correctement mise à la terre. Si vous ne possédez que des prises de courant à deux broches, il est de votre devoir de la faire remplacer par une prise de courant à trois broches mise à la terre.

Le cordon d'alimentation doit être positionné derrière la Refroidisseur à vin et ne doit pas être exposé ou laissé pendu afin de prévenir tout accident.

L'unité doit toujours être raccordée à une prise de courant dédiée dont la tension délivrée correspond à la tension figurant sur la plaque signalétique de l'unité. Ceci permet d'obtenir les meilleures performances et prévenir toute surcharge du circuit électrique de votre résidence pouvant entraîner un incendie ou une surchauffe. Ne déconnectez pas le cordon en tirant sur le cordon proprement dit. Tenez toujours fermement la fiche et tirez-la. Réparez ou remplacez immédiatement un cordon d'alimentation coupé ou endommagé. N'utilisez pas de cordon présentant des signes de fissure ou d'abrasion sur sa longueur ou une extrémité. Lorsque vous déplacez l'unité, prenez garde à ne pas endommager le cordon d'alimentation.

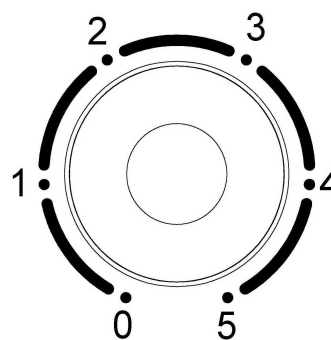
➤ **Rallonges**

En raison des dangers présents sous certaines conditions, il est fortement recommandé de ne pas utiliser de rallonges. Cependant, si l'utilisation d'une rallonge conforme UL/CUL à 3 fils mise à la terre devient nécessaire, assurez-vous que celle-ci possède une fiche de mise à la terre et que le cordon ait une tension de 120 volts et une intensité d'au moins 10 ampères.

Mode opératoire de la Refroidisseur à vin

➤ Réglage de la température

- Pour contrôler la température interne de l'appareil, tournez le thermostat selon l'utilisation de l'appareil envisagée.
- Lorsque vous mettez en marche l'appareil pour la première fois, positionnez le thermostat sur la position "5". (Paramètre le plus frais)
- La gamme de températures va de 4°C ~ 18°C, la gamme de réglages est de "5" à "0". Au bout de 24 à 48 heures, positionnez le thermostat sur le paramètre requis. La position "3" correspond à un fonctionnement normal, que l'appareil se trouve chez vous ou à votre bureau.



REMARQUE:

- Lorsque l'appareil est débranché, qu'une panne de courant survient, ou lorsque vous éteignez l'appareil, attendez 3 à 5 minutes avant de mettre à nouveau l'appareil en marche. Si vous tentez de mettre en marche l'appareil avant 3 minutes, celui-ci ne démarrera pas.

➤ Capacité de stockage

REMARQUE: il est possible de ranger 15 bouteilles normales dans la Refroidisseur à vin.

Les bouteilles varient selon leur composition. Le nombre de bouteilles que vous pouvez réellement ranger peut donc varier. Une bouteille de capacité maximale représente les bouteilles de Bordeaux de 750ml et les bouteilles carrées.

SOIN ET ENTRETIEN

➤ Dégivrage de la Refroidisseur à vin

Effectuez un dégivrage de la Refroidisseur à vin lorsque la couche de givre présente sur l'évaporateur dépasse 5mm d'épaisseur(1/5 pouce). Positionnez le thermostat sur "0". Le dégivrage dure en général quelques heures. Une fois le dégivrage terminé, positionnez le thermostat sur la position de votre choix. Pour un dégivrage rapide, retirez les bouteilles de vin et laissez la porte ouverte. N'utilisez jamais de couteaux ou tout autre instrument de métal pour retirer la glace/le givre de l'évaporateur.

➤ Nettoyage de votre Refroidisseur à vin

- Tournez le thermostat sur "0", débranchez le cordon d'alimentation, puis retirez tous les éléments se situant dans l'appareil en incluant les clayettes et le bac.
- Nettoyez les parois internes de l'appareil avec une solution d'eau et de bicarbonate de soude. La solution devrait être environ 2 cuillères à soupe de bicarbonate de soude et un quart d'eau.
- Nettoyez les clayettes et le bac avec un détergent doux.
- Le boîtier de la caver à vin doit être nettoyé avec une solution de détergent doux et d'eau chaude.
- Essorez bien votre éponge avant de nettoyer le panneau de commandes ainsi que les composants électriques.
- Nettoyez le caisson de la Refroidisseur à vin avec le l'eau chaude et un détergent doux. Rincez l'appareil puis séchez-le complètement avec un tissu doux.

➤ Lorsque vous partez en vacances

- **Vacances courte durée:** Laissez l'appareil en marche lorsque vous partez en vacances pour moins de 3 semaines.
- **Vacances longue durée:** Lorsque vous pensez ne plus utiliser l'appareil pendant plusieurs mois, retirez tout ce qui se trouve à l'intérieur, puis débranchez le cordon d'alimentation. Nettoyez et séchez complètement les parois internes de l'appareil. Pour éviter les mauvaises odeurs et que de la moisissure se forme à l'intérieur de l'appareil, laissez la porte légèrement ouverte.

➤ Déplacer votre Refroidisseur à vin

- Retirez tout ce qui se trouve à l'intérieur de l'appareil.
- Retirez tous les parties détachables (clayettes) se situant à l'intérieur de votre appareil.
- Fermez la porte solidement avec du ruban adhésif.
- Protégez l'extérieur de l'appareil avec un tapis ou autre élément similaire.

➤ Conseils pour économiser l'électricité

- La Refroidisseur à vin doit être installée dans la partie la plus froide de la pièce, loin des sources de chaleur et des rayonnements directs du soleil.
- Surcharger la Refroidisseur à vin force le compresseur à fonctionner sur une période prolongée.

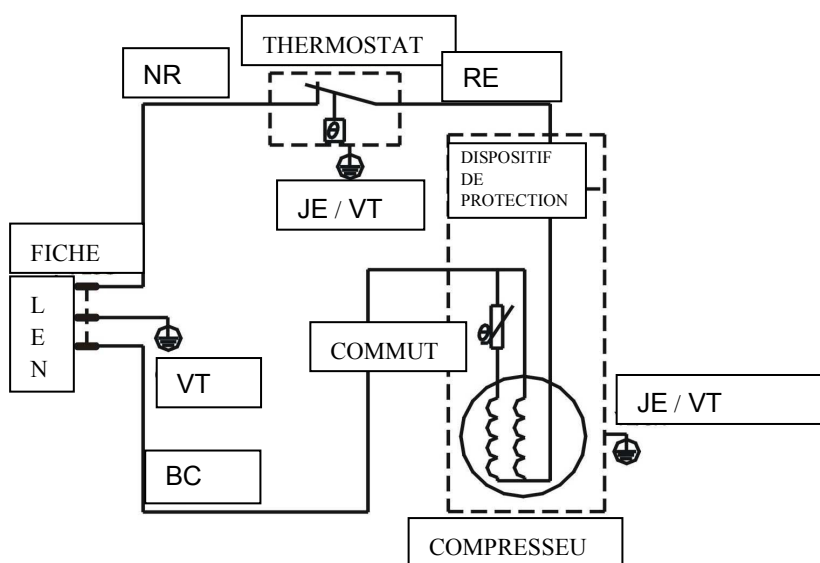
UN PROBLEME AVEC VOTRE REFROIDISSEUR A VIN?

Vous pouvez résoudre la plupart des problèmes simplement, tout en évitant de contacter notre service client. Avant de contacter notre service client, référez-vous au tableau suivant et vérifiez si votre panne y figure.

GUIDE DE DEPANNAGE

PROBLEME	CAUSE POSSIBLE
Impossible de mettre en marche la Refroidisseur à vin.	L'unité n'est pas raccordée au secteur. Le disjoncteur a sauté ou un fusible a grillé.
L'unité s'éteint toute seule.	La température de la pièce est supérieure à la normale. Vous ouvrez trop souvent la porte. La porte n'est pas complètement refermée. Vérifiez le thermostat. Le joint d'étanchéité ne permet pas une fermeture complète de la porte. La Refroidisseur à vin est mal installée.
La Refroidisseur à vin émet des vibrations.	Vérifiez que la Refroidisseur à vin est nivelée.
La Refroidisseur à vin fait trop de bruit.	Les cliquetis peuvent provenir du flux de réfrigérant, ce qui ne constitue pas un dysfonctionnement. À chaque fin de cycle, il se peut que vous entendiez des bruits de glouglou, cela provient du flux de réfrigérant dans votre Refroidisseur à vin. La contraction et l'expansion des parois intérieures de l'appareil peuvent causer des bruits de saut et de crépitement. La Refroidisseur à vin est au ras du sol.
Impossible de fermer la porte complètement.	La Refroidisseur à vin est au ras du sol. La porte a été inversée et mal installée. Le joint d'étanchéité est encrassé. Une ou plusieurs clayettes sont mal placées.

SCHEMA DU CIRCUIT



IMPRIME EN CHINE

Free Manuals Download Website

<http://myh66.com>

<http://usermanuals.us>

<http://www.somanuals.com>

<http://www.4manuals.cc>

<http://www.manual-lib.com>

<http://www.404manual.com>

<http://www.luxmanual.com>

<http://aubethermostatmanual.com>

Golf course search by state

<http://golfingnear.com>

Email search by domain

<http://emailbydomain.com>

Auto manuals search

<http://auto.somanuals.com>

TV manuals search

<http://tv.somanuals.com>