

USER MANUAL

Pro Lite

LCD Monitor

ENGLISH

DEUTSCH

FRANCAIS

NEDERLANDS

日本語

Pro Lite T1530SR
Pro Lite T1730SR
Pro Lite T1930SR

Thank you very much for choosing the iiyama LCD monitor.

We recommend that you take a few minutes to read carefully through this brief but comprehensive manual before installing and switching on the monitor. Please keep this manual in a safe place for your future reference.

FCC DECLARATION OF CONFORMITY

Model Number: PLT1500 / PLT1700 / PLT1900

The result of electromagnetic emission has been evaluated by Compliance Certification Service Inc. and showed in the test report.

This device complies with Part 15 of the FCC Rules. Operation is subject to the following two conditions: (1) This device may not cause harmful interference, and (2) this device must accept any interference received, including interference that may cause undesired operation.

This device has been tested and found to comply with the limits for Class B Personal Computers and peripherals, pursuant to Part 15 of the FCC Rules. These limits are designed to provide reasonable protection against harmful interference when the device is operated in a residential environment. This device generates, uses and can radiate radio frequency energy, and if not installed and used in accordance with the instructions, may cause harmful interference to radio communications. However, there is no guarantee that interference will not occur in a particular installation. If you determine the device does cause harmful interference to radio or television reception (this may be determined by monitoring the interference while turning the device off and on), you are encouraged to try to correct the interference by one of the following measures:

- Reorient or relocate the receiving antenna.
- Increase the separation between the device and receiver.
- Connect the device into an outlet on a circuit different from that to which the receiver is connected.
- Consult the dealer or an experienced radio or TV technician for help.

To meet the FCC requirements, you should use a signal cable with ferrite core at both ends.

CAUTION

Changes or modifications not expressly approved by iiyama could void the users authority to operate the device under FCC compliance regulations.

CANADIAN DEPARTMENT OF COMMUNICATIONS COMPLIANCE STATEMENT

This digital apparatus does not exceed the Class B limits for radio noise emissions from digital apparatus as set out in the radio interference regulation of the Canadian department of communications.

CE MARKING DECLARATION OF CONFORMITY

This LCD monitor complies with the requirements of the EC Directive 2004/108/EC "EMC Directive" and 2006/95/EC "Low Voltage Directive".

The electro-magnetic susceptibility has been chosen at a level that gives correct operation in residential areas, business and light industrial premises and small-scale enterprises, inside as well as outside of the buildings. All places of operation are characterised by their connection to the public low voltage power supply system.

- We reserve the right to change specifications without notice.
- All trademarks used in this user manual are the property of their respective owners.

TABLE OF CONTENTS

FOR YOUR SAFETY	1
SAFETY PRECAUTIONS	1
SPECIAL NOTES ON LCD MONITORS	3
CUSTOMER SERVICE	3
CLEANING	3
BEFORE YOU OPERATE THE MONITOR	4
FEATURES	4
SPECIAL NOTES ON TOUCH PANEL	4
CHECKING THE CONTENTS OF THE PACKAGE	5
WALL MOUNTING	5
CONTROLS AND CONNECTORS:	6
CONNECTING YOUR MONITOR:	7
COMPUTER SETTING	8
ADJUSTING THE VIEWING ANGLE	8
OPERATING THE MONITOR	9
ADJUSTMENT MENU CONTENTS	10
SCREEN ADJUSTMENTS	13
POWER MANAGEMENT FEATURE	15
TROUBLE SHOOTING	16
APPENDIX	17
SPECIFICATIONS : ProLite T1530SR	17
SPECIFICATIONS : ProLite T1730SR	18
SPECIFICATIONS : ProLite T1930SR	19
DIMENSIONS	20
COMPLIANT TIMING	21



LAMP(S) INSIDE THIS PRODUCT CONTAIN MERCURY AND MUST BE RECYCLED OR DISPOSED OF ACCORDING TO LOCAL, STATE OR FEDERAL LAWS.

For disposal or recycling information, please contact your local authorities or the Electronic Industries Alliance (www.eiae.org).

This information is only for U.S.A..



We recommend recycling of used product. Please contact your dealer or iiyama service center. Recycle information is obtained via the Internet, using the address: <http://www.iiyama.com>

You can access the Web page of different countries from there.

FOR YOUR SAFETY

SAFETY PRECAUTIONS

WARNING

STOP OPERATING THE MONITOR WHEN YOU SENSE TROUBLE

If you notice any abnormal phenomena such as smoke, strange sounds or fumes, unplug the monitor and contact your dealer or iiyama service center immediately. Further use may be dangerous and can cause fire or electric shock.

NEVER REMOVE THE CABINET

High voltage circuits are inside the monitor. Removing the cabinet may expose you to the danger of fire or electric shock.

DO NOT PUT ANY OBJECT INTO THE MONITOR

Do not put any solid objects or liquids such as water into the monitor. In case of an accident, unplug your monitor immediately and contact your dealer or iiyama service center. Using the monitor with any object inside may cause fire, electric shock or damage.

DO NOT DROP AND DO NOT GIVE A SHOCK

The monitor may cause an injury if it falls or is dropped.

Be careful with chips of glass, may cause injuring fingers or skin, when the glass is broken.

Do not ingest the liquid crystal and do not touch the liquid crystal with skin or cloths if LCD panel is broken and liquid crystal leaks.

If liquid crystal touch eyes, mouth, skin or cloths, immediately rinse with water for over 15 minutes.

If ingested immediately rinse with water, and then spit out after drink water. After that, consult a doctor.

DO NOT USE THE MONITOR NEAR WATER

Do not use where water may be splashed or spilt onto the monitor as it may cause fire or electric shock.

OPERATE UNDER THE SPECIFIED POWER SUPPLY

Be sure to operate the monitor only with the specified power supply. Use of an incorrect voltage will cause malfunction and may cause fire or electric shock.

PROTECT THE CABLES

Do not pull or bend the power cable and signal cable. Do not place the monitor or any other heavy objects on the cables. If damaged, the cables may cause fire or electric shock.

ADVERSE WEATHER CONDITIONS

It is advisable not to operate the monitor during a heavy thunder storm as the continual breaks in power may cause malfunction. It is also advised not to touch the plug in these circumstances as it may cause electric shock.

CAUTION

INSTALLATION LOCATION

Do not install the monitor where sudden temperature changes may occur, or in humid, dusty or smoky areas as it may cause fire, electric shock or damage. You should also avoid areas where the sun shines directly on the monitor.

DO NOT PLACE THE MONITOR IN A HAZARDOUS POSITION

The monitor may topple and cause injury if not suitably located. Please also ensure that you do not place any heavy objects on the monitor, and that all cables are routed such that children may not pull the cables and possibly cause injury.

MAINTAIN GOOD VENTILATION

Ventilation slots are provided to keep the monitor from overheating. Covering the slots may cause fire. To allow adequate air circulation, place the monitor at least 10 cm (or 4 inches) from any walls. Do not remove the tilt stand when operating the monitor. Ventilation slots on the back of the cabinet will be blocked and the monitor may overheat if the stand is removed. This may cause fire or damage. Operating the monitor on its back, side, upside down or on a carpet or any other soft material may also cause damage.

We suggest installing a cooling fan when placing the monitor into a rack.

DISCONNECT THE CABLES WHEN YOU MOVE THE MONITOR

When you move the monitor, turn off the power switch, unplug the monitor and be sure the signal cable is disconnected. If you do not disconnect them, it may cause fire or electric shock.

UNPLUG THE MONITOR

If the monitor is not in use for a long period of time it is recommended that it is left unplugged to avoid accidents.

HOLD THE PLUG WHEN DISCONNECTING

To disconnect the power cable or signal cable, always pull it by the plug. Never pull on the cable itself as this may cause fire or electric shock.

DO NOT TOUCH THE PLUG WITH WET HANDS

Pulling or inserting the plug with wet hands may cause electric shock.

WHEN YOU INSTALL THE MONITOR ON YOUR COMPUTER

Be sure the computer is strong enough to hold the weight of the monitor, otherwise, you may damage your computer.

OTHERS

ERGONOMIC RECOMMENDATIONS

To eliminate eye fatigue, do not operate the monitor against a bright background or in a dark room. For optimal viewing comfort, the monitor should be just below eye level and 40-60 cm (16-24 inches) away from your eyes. When using the monitor over a prolonged time, a ten minute break every hour is recommended as looking at the screen continuously can cause eye strain.

SPECIAL NOTES ON LCD MONITORS

The following symptoms are normal with LCD monitors and do not indicate a problem.

NOTE

- When you first turn on the LCD monitor, the picture may not fit in the display area because of the type of computer that is used. In this case, adjust the picture position to the correct position.
- Due to the nature of the backlight, the screen may flicker during initial use. Turn off the Power Switch and then turn it on again to make sure the flicker disappears.
- You may find slightly uneven brightness on the screen depending on the desktop pattern you use.
- Due to the nature of the LCD screen, an afterimage of the previous screen may remain after switching the image, when the same image is displayed for hours. In this case, the screen is recovered slowly by changing the image or turning off the Power Switch for hours. There is the possibility that the previous screen has been fixed. Pay attention sufficient when you use LCD Monitor.
- Contact your dealer or iiyama service center for the backlight replacement when the screen is dark, flickering or not lighting up. Never attempt to replace it by yourself.
- Condensation may appear between Touch screen and LCD screen. It is the natural phenomenon and it is not a malfunction.
Condensation disappears with slowly warming the whole unit.
Non condensing when the unit is in-use, it will cause defective symptoms.

CUSTOMER SERVICE

NOTE

- The fluorescent light used in the LCD monitor may have to be periodically replaced. For the warranty coverage on this component, please check with local iiyama service center.
- If you have to return your unit for service and the original packaging has been discarded, please contact your dealer or iiyama service center for advice or replacement packaging.

CLEANING

WARNING

- If you drop any materials or liquids such as water into the monitor when cleaning, unplug the power cable immediately and contact your dealer or iiyama service center.

CAUTION

- For safety reasons, turn off the power switch and unplug the monitor before you clean it.

NOTE

- To protect the LCD panel, do not scratch or rub the screen with a hard object.
- Never use any of the following strong solvents. These will damage the cabinet and the LCD screen.

Thinner	Spray-type cleaner
Benzine	Wax
Abrasive cleaner	Acid or Alkaline solvent
- Touching the cabinet and the LCD screen with any product made from rubber or plastic for a long time may cause degeneration or loss of paint on the cabinet and the LCD screen.

CABINET

Stains can be removed with a cloth lightly moistened with a mild detergent solvent. Then wipe the cabinet with a soft dry cloth.

LCD SCREEN

Periodic cleaning with a soft dry cloth is recommended.

Don't use tissue paper etc. because these will damage the LCD screen.

Stains can be removed with a cloth lightly moistened with a mild detergent solvent. Then wipe the touch screen with a soft dry cloth. Don't pour the detergent solvent on the touch screen.

BEFORE YOU OPERATE THE MONITOR

FEATURES

- ◆ ProLite T1530SR : 38cm (15.0") TFT Color LCD Monitor Resistive Film
- ◆ ProLite T1730SR : 43cm (17.0") TFT Color LCD Monitor Resistive Film
- ◆ ProLite T1930SR : 48cm (19.0") TFT Color LCD Monitor Resistive Film
- ◆ ProLite T1530SR: Supports Resolutions up to 1024 x 768
- ◆ ProLite T1730SR / ProLite T1930SR : Supports Resolutions up to 1280 x 1024
- ◆ Digital Character Smoothing
- ◆ Automatic Set-up
- ◆ Plug & Play VESA DDC2B Compliant
Windows® 95/98/2000/Me/XP/Vista Compliant
- ◆ Power Management (VESA DPMS Compliant)
- ◆ ProLite T1530SR : VESA Standard (75mm×75mm) for Arm or Wall Mounting
- ◆ ProLite T1730SR / ProLite T1930SR :
VESA Standard (100mm×100mm) for Arm or Wall Mounting
- ◆ Stereo Speakers

SPECIAL NOTES ON TOUCH PANEL

Permanent damage can occur if Sharp Edged, Pointed or Metal items are used to activate Touch. This could invalidate any remaining warranty.
We recommend to use a plastic stylus (tip R0.8 or over) or finger.

CHECKING THE CONTENTS OF THE PACKAGE

The following accessories are included in your package. Check to see if they are enclosed with the monitor. If anything is missing or damaged, please contact your local iiyama dealer or regional iiyama office.

Accessories	ProLite T 1530SR	1730SR 1930SR
AC Adapter*1	○	
Power Cable*1	○	○
D-Sub Signal Cable	○	○
DVI-D Signal Cable	○	○
RS-232C Cable	○	○
USB Cable	○	○
Audio Cable	○	○
Touch Panel Driver Disk (CD-ROM)*2	○	○
User Manual	○	○

CAUTION

*1 1. TO USERS IN 120V AREA

The rating of the Power Cable enclosed in 120V area is 10A/125V. If you are using a power supply higher than this rating, then a power cable with a rating of 10A/250V must be used. However, all guarantees and warranties are void for any problems or damage caused by a power cable or AC adapter not supplied by iiyama.

2. AC Adapter Type Name : LSE9901B1250

(LI SHIN INTERNATIONAL ENTERPRISE CORP.)

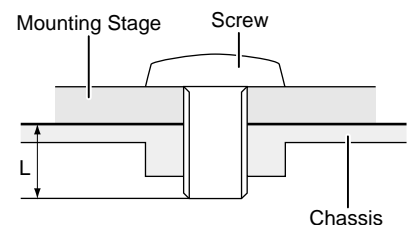
*2 This CD-ROM contains the touch screen driver software.

Install the Touch Panel Driver Disk after connecting the computer to the monitor with RS-232C Cable or USB Cable. For the details, see Readme file in the Touch Panel Driver Disk.

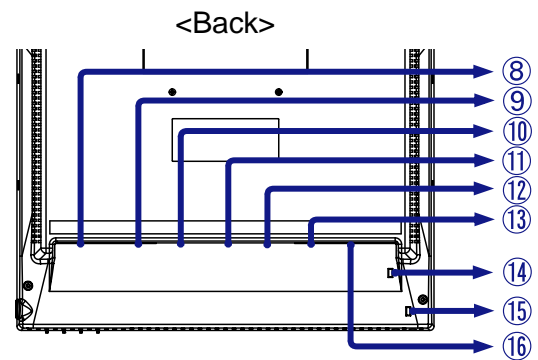
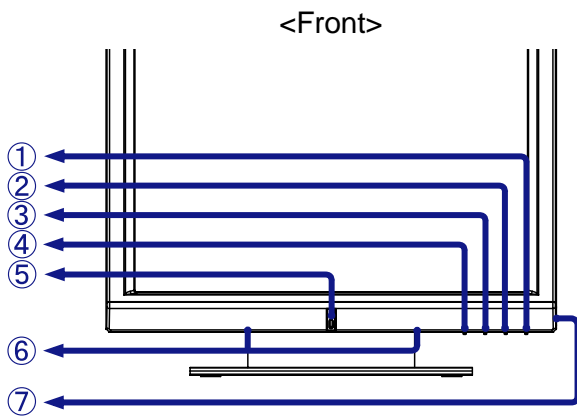
WALL MOUNTING

WARNING

When you use with the wall mounting, in consideration of thickness of the mounting stage, tighten the M4 Screw with washer which "L" length is 6mm to fasten the monitor. Using the screw longer than this may cause electric shock or damage because it may contact with the electrical parts inside the monitor.



CONTROLS AND CONNECTORS



A ▲ / Menu Button (▲ / MENU)

B ▼ / Brightness Button (▼ / ☀)

C + / Volume Button (+ / 🔊)

D - / Input Button (- / INPUT)

NOTE With the OSD menu off, pressing the Input Button will switch the input signal from D-SUB to DVI.

E Power Indicator

NOTE Green: Normal operation

Orange: Power Management

The monitor enters into power management mode which reduces the power consumption to less than 2W when receiving no horizontal and/or vertical sync signal.

F Speakers

G Power Switch (⏻)

NOTE Holding the Power Switch will turn off the power.

H Connector for AC Adapter (DC-in)*¹

I D-Sub mini 15pin Connector (D-SUB)

J DVI-D 24pin Connector (DVI)

K Audio Connector (AUDIO in)

L USB Cable Connector (🔌)

M RS-232C Cable Connector (📡)

N Keyhole for Security Lock*³

NOTE ■ You can fasten a security lock and cable to prevent the monitor from being removed without your permission.

O Keyhole for Security Lock*⁴

NOTE ■ You can fasten a security lock and cable to prevent the monitor from being removed without your permission.

P AC Connector (AC in)*²

*¹ Available for ProLite T1530SR only.

*² Available for ProLite T1730SR and ProLite T1930SR only.

*³ Available for ProLite T1530SR and ProLite T1730SR only.

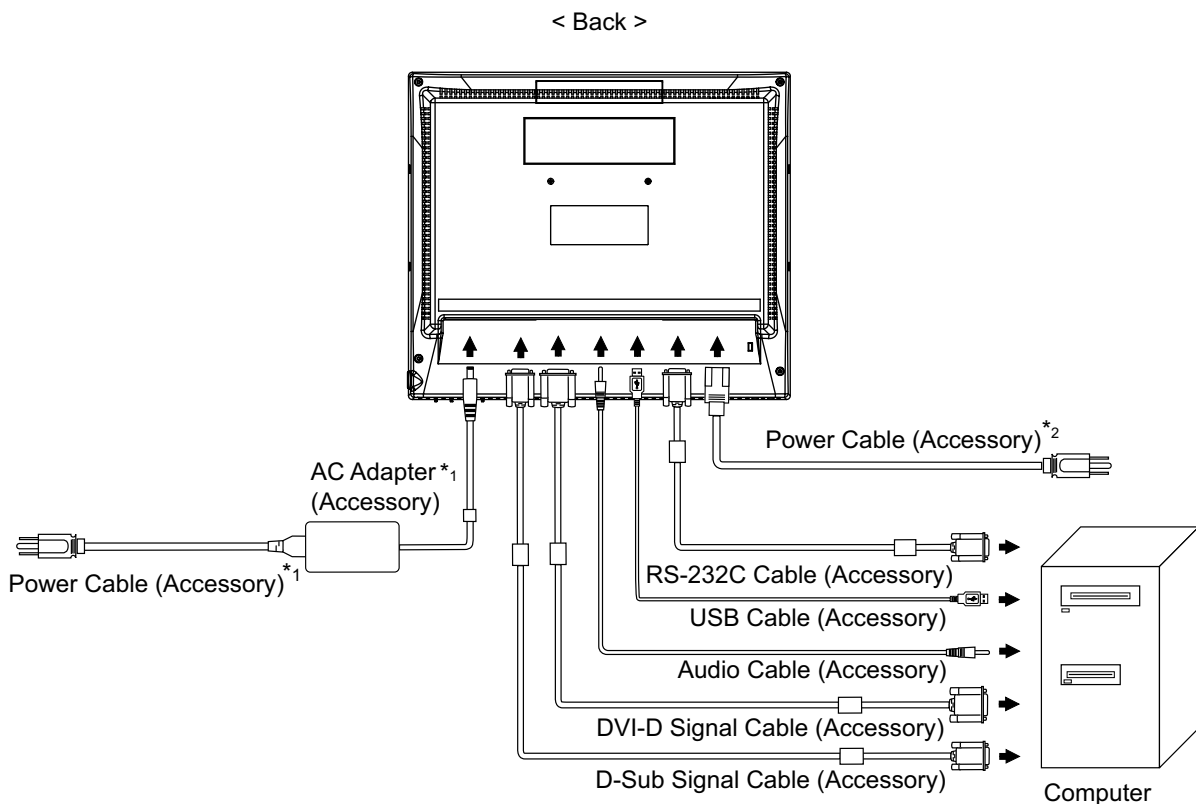
*⁴ Available for ProLite T1930SR only.

CONNECTING YOUR MONITOR

- A Ensure that both the computer and the monitor are switched off.
- B Connect the computer to the monitor with the Signal Cable.
- C Connect the computer to the monitor with the RS-232C Cable or the USB Cable.
- D Connect the monitor to the audio equipment with the Audio Cable when using the audio features.
- E Connect the Power Cable to the monitor first and then to the power supply.

- NOTE**
- The signal cables used for connecting the computer and monitor vary by the type of computer used. An incorrect connection may cause serious damage to both the monitor and the computer. The cable supplied with the monitor is for a standard 15 pin D-Sub connector. If a special cable is required please contact your local iiyama dealer or regional iiyama office.
 - For connection to Macintosh computers, contact your local iiyama dealer or regional iiyama office for a suitable adaptor.
 - Make sure you tighten the finger screws at each end of the Signal Cable and the RS-232C Cable.
 - Don't connect the RS-232C cable and the USB cable to the computer at the same time. And cannot use those at the same time.

[Example of Connection]



*1 Available for ProLite T1530SR only.

*2 Available for ProLite T1730SR and ProLite T1930SR only.

COMPUTER SETTING

■ Signal Timing

Change to the desired signal timings listed on page 21 in COMPLIANT TIMING.

■ Windows 95/98/2000/Me/XP/Vista Plug & Play

The iiyama LCD monitor complies with DDC2B of VESA standard. The Plug & Play function runs on Windows 95/98/2000/Me/XP/Vista by connecting the monitor to DDC2B compliant computer with the Signal Cable supplied. Windows 95/98/2000/Me/XP Monitor Information File for iiyama monitors may be necessary for your computer and obtained via the Internet, using the address:

<http://www.iiyama.com>

NOTE

- For additional information on how to download the driver for your monitor, please access one of the internet sites noted above.
- Monitor Drivers are not required in most cases for Macintosh or Unix operating systems. For further information, please contact your computer dealer first for advice.

■ Procedure for turning ON the Power Switch

Turn ON the monitor first, and then the computer.

■ Touch screen driver software

Touch screen driver software and system may not start when you start your computer while touching the screen.

Touch screen driver software may not run due to the power saving function depending on the BIOS of your computer. In this case, set the power saving function to off.

ADJUSTING THE VIEWING ANGLE

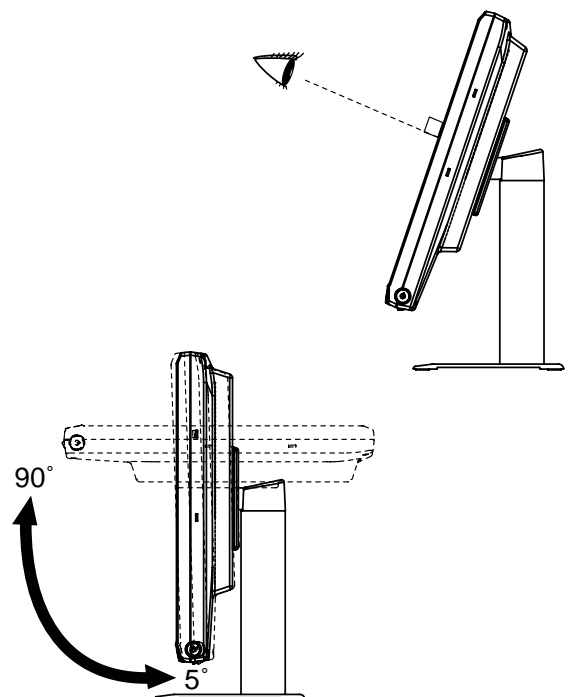
- For optimal viewing it is recommended to look at the full face of the monitor, then adjust the monitor's angle to your own preference.

- Hold the panel so that the monitor does not topple when you change the monitor's angle.

- You are able to adjust the monitor's angle up to 90 degrees upward, 5 degrees downward.

NOTE

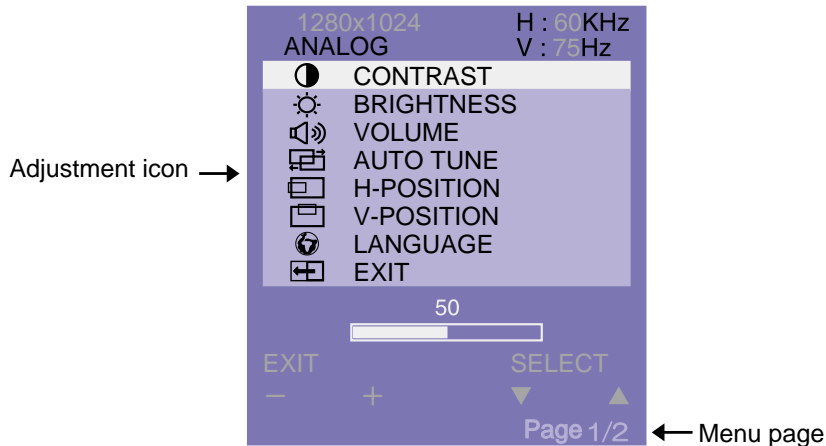
- Do not touch the LCD screen when you change the angle. It may cause damage or break the LCD screen.
- Careful attention is required not to catch your fingers or hands when you change the angle.




OPERATING THE MONITOR

To create the best picture, your iiyama LCD monitor has been preset at the factory with the COMPLIANT TIMING shown on page 21. You are also able to adjust the picture by following the button operation shown below. For more detailed adjustments, see page 13 for SCREEN ADJUSTMENTS.

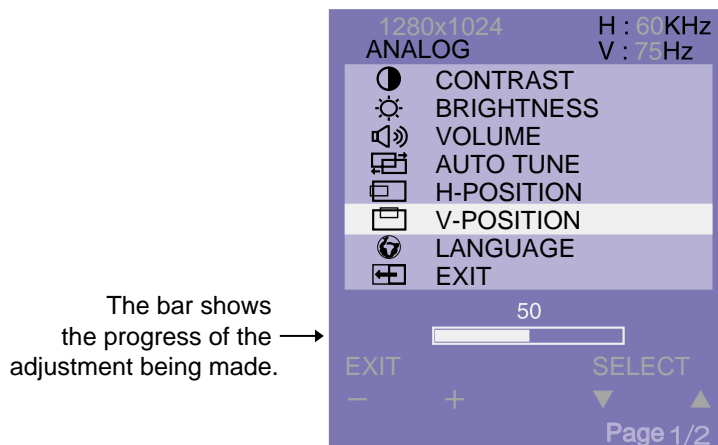
- (**Press the Menu Button to start the On Screen Display feature. There are additional menu pages which can be switched by using the ▲/▼ Buttons.**



- B Use the +/- Buttons to make the appropriate adjustment or setting.**

For example, to correct for vertical position, press the Menu Button. Then, select  (V-POSITION) by using the ▲/▼ Buttons.

Use the +/- Buttons to change the vertical position settings. The vertical position of the overall display should be changing accordingly while you are doing this.



NOTE

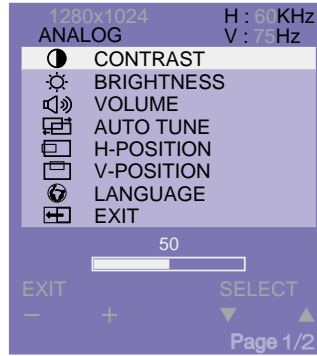
- Any changes are automatically saved in the memory when the On Screen Display disappears. Turning off the power should be avoided while using the Menu.
- Adjustments for Clock, Phase and Position are saved for each signal timing. Except for these adjustments, all other adjustments have only one setting which applies to all signal timings.

Direct

- Key Lock Mode:
With the power is off, press the ▼ Button while pressing the Power Switch will switch the Key Lock Mode On to Off. Adjustment items are locked out when the Key Lock Mode is active.

ADJUSTMENT MENU CONTENTS

Page : 1
ANALOG Input



Adjustment Item	Problem / Option	Button to Press																
CONTRAST	Too dull Too intense	+ -																
BRIGHTNESS *1 Direct	Too dark Too bright	+ -																
VOLUME Direct	Too soft Too loud	+ -																
AUTO TUNE *2	Adjust Clock, Phase, V-Position and H-Position automatically.																	
NOTE <ul style="list-style-type: none"> ■ The screen becomes dark for approximately five seconds during the adjustment. ■ Precision of adjustment is different by indicated pattern on the screen. 																		
H-POSITION	Too far to the left Too far to the right	+ -																
V-POSITION	Too low Too high	+ -																
LANGUAGE	<table border="1"> <tr> <td>English</td> <td>English</td> <td>Italiano</td> <td>Italian</td> </tr> <tr> <td>Deutsch</td> <td>German</td> <td>繁體中文</td> <td>Traditional Chinese</td> </tr> <tr> <td>Français</td> <td>French</td> <td>简体中文</td> <td>Simplified Chinese</td> </tr> <tr> <td>Español</td> <td>Spanish</td> <td>日本語</td> <td>Japanese</td> </tr> </table>	English	English	Italiano	Italian	Deutsch	German	繁體中文	Traditional Chinese	Français	French	简体中文	Simplified Chinese	Español	Spanish	日本語	Japanese	
English	English	Italiano	Italian															
Deutsch	German	繁體中文	Traditional Chinese															
Français	French	简体中文	Simplified Chinese															
Español	Spanish	日本語	Japanese															
RETURN TO MENU	Return to Menu.																	
EXIT	Exit OSD adjustments.																	

*1 Adjust the Brightness when you are using the monitor in a dark room and feel the screen is too bright.

*2 See page 13 for SCREENADJUSTMENTS.















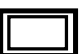

Direct

You can skip the menu pages and display an adjustment scale directly by using the following button operations.

- **BRIGHTNESS:** Press the ▼ Button when the Menu is not displayed.
- **VOLUME:** Press the + Button when the Menu is not displayed.
- **MUTE:** Press the + Button when the Menu is not displayed, and then press the + and – Buttons at the same time. To cancel MUTE, press the + Button.

Page : 2
ANALOG Input



Adjustment Item	Problem / Option		Button to Press
 CLOCK	To correct flickering text or lines		 <input type="button" value="+"/> <input type="button" value="-"/>
 PHASE	To correct flickering text or lines		 <input type="button" value="+"/> <input type="button" value="-"/>
 RED	Too weak	Too strong	 <input type="button" value="+"/>  <input type="button" value="-"/>
 GREEN	Too weak	Too strong	 <input type="button" value="+"/>  <input type="button" value="-"/>
 BLUE	Too weak	Too strong	 <input type="button" value="+"/>  <input type="button" value="-"/>
 COLOR TEMP.	Warm	Reddish white	
	Cool	Bluish white	
	Normal	Normal white	
 RESET	Factory-preset data is restored.		
 EXIT	Exit OSD adjustments.		

Page : 1
DIGITAL Input



Adjustment Item	Problem / Option		Button to Press	
CONTRAST	Too dull			
	Too intense			
BRIGHTNESS * Direct	Too dark			
	Too bright			
VOLUME Direct	Too soft			
	Too loud			
LANGUAGE	English	English	Italiano	Italian
	Deutsch	German	繁體中文	Traditional Chinese
	Français	French	簡體中文	Simplified Chinese
	Español	Spanish	日本語	Japanese
	RETURN TO MENU	Return to Menu.		
COLOR TEMP.	Warm	Reddish white		
	Cool	Bluish white		
	Normal	Normal white		
EXIT	Exit OSD adjustments.			

* Adjust the Brightness when you are using the monitor in a dark room and feel the screen is too bright.

Direct You can skip the menu pages and display an adjustment scale directly by using the following button operations.

- BRIGHTNESS: Press the ▼ Button when the Menu is not displayed.
- VOLUME: Press the + Button when the Menu is not displayed.
- MUTE: Press the + Button when the Menu is not displayed, and then press the + and - Buttons at the same time. To cancel MUTE, press the + Button.

SCREEN ADJUSTMENTS

- The screen adjustments described in this manual are designed to set image position and minimize flicker or blur for the particular computer in use.
- ProLite T1530SR is designed to provide the best performance at resolution of 1024 × 768, but can not provide the best at resolutions of less than 1024 × 768, because the picture is automatically stretched to fit the full screen or displayed at optimum resolution. It is recommended to operate at resolution of 1024 × 768, in normal use.
- ProLite T1730SR and ProLite T1930SR are designed to provide the best performance at resolution of 1280 × 1024, but can not provide the best at resolutions of less than 1280 × 1024 because the picture is automatically stretched to fit the full screen or displayed at optimum resolution. It is recommended to operate at resolution of 1280 × 1024 in normal use.
- Displayed text or lines will be blurred or irregular in thickness when the picture is stretched due to the screen enlargement process.
- It is preferable to adjust the image position and frequency with the monitor controls, rather than the computer software or utilities.
- Perform adjustments after a warm-up period of at least thirty minutes.
- Additional adjustments may be required after the Auto Set up depending on the resolution or signal timing.
- The Auto Set up may not work correctly when displaying the picture other than the screen adjustment pattern. In this case, manual adjustments are required.

There are two ways to adjust the screen. One way is automatic adjustment for Clock, Phase and Position. The other way is performing each adjustment manually.

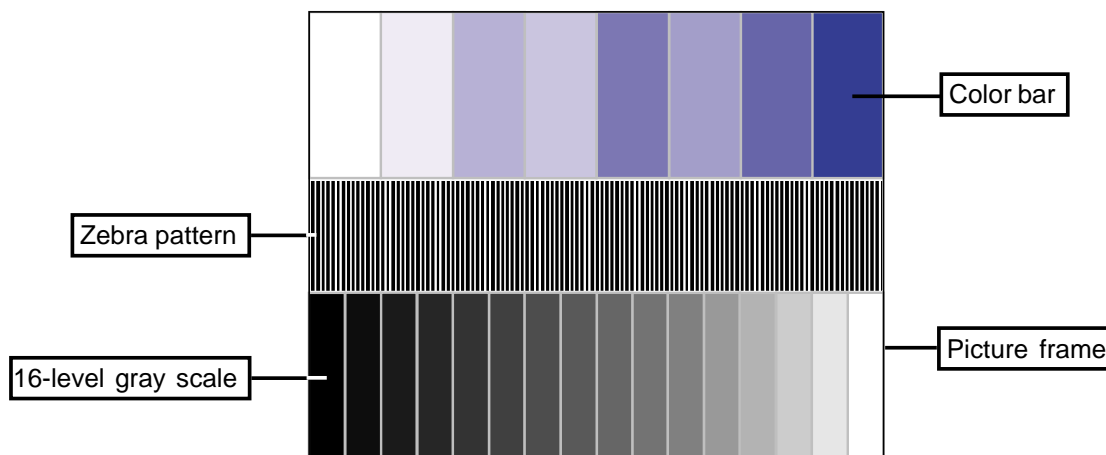
Perform the Auto Set up first when the monitor is connected to a new computer, or resolution is changed. If the screen has a flicker or blur, or the picture does not fit in the display area after performing the Auto Set up, manual adjustments are required. Both adjustments should be made by using the screen adjustment patterns in the Adjustment Program obtained via the iiyama web site (<http://www.iiyama.com>).

This manual explains adjustment under Windows 95/98/2000/Me/XP/Vista.

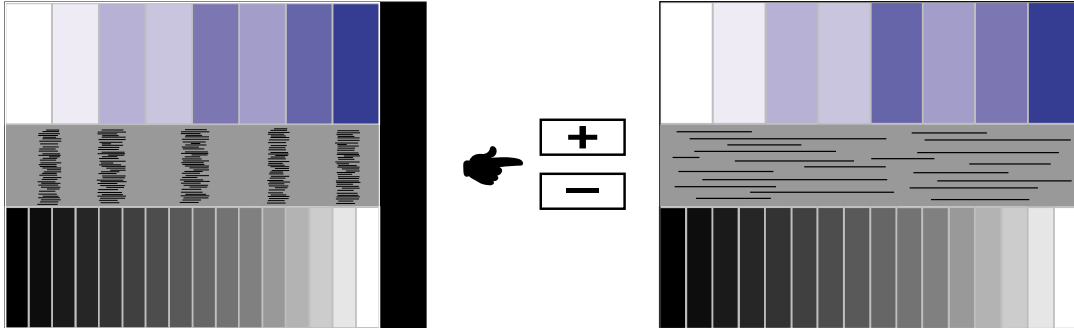
A Start “Adjustment Program”.

B Select the resolution for your monitor and the adjustment pattern appears.

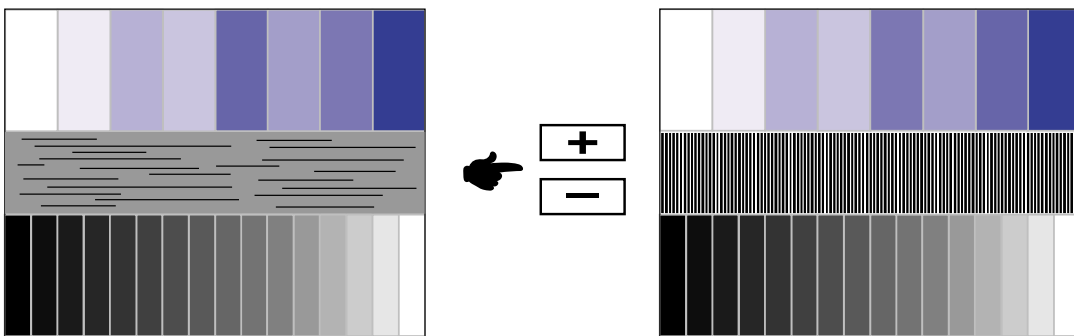
[Adjustment pattern]



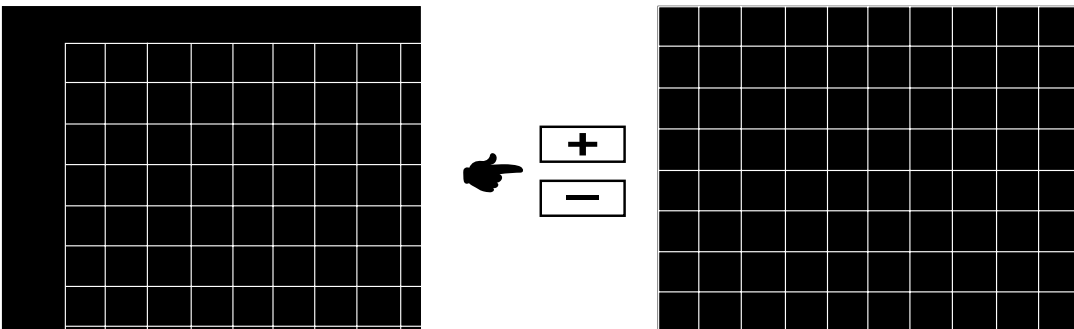
- C Press the Auto Button. (Direct adjustment)
Or perform the Auto Set up.
- D Adjust the image manually by following procedure below when the screen has a flicker or blur, or the picture does not fit in the display area after performing the Auto Set up.
- E Stretch the right side of the picture frame to the right edge of the display area by adjusting the Clock.



- F Adjust the Phase to correct horizontal wavy noise, flicker or blur in the zebra pattern.



- G Select "Position" in the Adjustment Program and adjust the V-Position and H-Position so that the frame of cross-hatch pattern fits into the display area.

**NOTE**

- When the left side of the picture frame moves away from the left edge of the display area during the Clock adjustment, adjust Clock and H-Position alternately.
- Another way to make the Clock adjustment is to correct the vertical wavy lines in the zebra pattern.
- The picture may flicker during the V-Position, H-Position and Clock adjustment.
- In case the picture frame is bigger or smaller than the data display area after the Clock adjustment, repeat the adjustments from step C.
- In the case that a strong flicker or blurs remain on a part of the screen, repeat the adjustments from step E to readjust the Clock. If the flicker or blurs still remain then set the refresh rate to 60Hz and repeat the adjustments from step C.
- Adjust the H-Position after the Phase adjustment if the horizontal position moves during the adjustment.

- H Select “Brightness” in the Adjustment Program and adjust the Back Light and Contrast so that all 16 levels of gray in the grayscale pattern are visible. Click on “FINISH” to close the Adjustment Program.

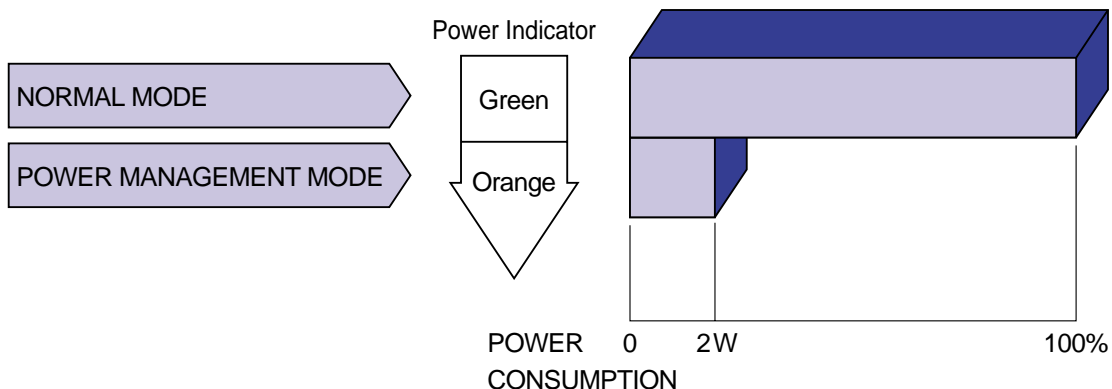
POWER MANAGEMENT FEATURE

The power management feature of this product complies with every power saving requirement of VESA DPMS. When activated, it automatically reduces unnecessary power consumption of the monitor when your computer is not in use.

To use the feature, the monitor needs to be connected to a VESA DPMS compliant computer. There is a power management step the monitor takes as described below. The power management function, including any timer settings is configured by the operating system. Check your operating system manual for information on how this can be configured.

■ Power Management Mode

When the H-sync signal / V-sync signal / H and V sync signals from the computer are off, the monitor enters into Power Management Mode which reduces the power consumption to less than 2W. The screen becomes dark, and the power indicator turns to orange. From Power Management Mode, the image reappears in several seconds when either the keyboard or the mouse are touched again.



NOTE

- Even when using the power management mode, the monitor consumes electricity. Turn off the Power Switch whenever the monitor is not in use, during the night and weekends, to avoid unnecessary power consumption.
- It is possible that the video signal from the computer may be on while the H or V sync signal is missing. In this instance, the POWER MANAGEMENT feature may not work properly.
- The monitor may not be restored from the power management depending on your computer system even if the screen is touched again. In this case, set the power management feature to off.

TROUBLE SHOOTING

If the monitor fails to operate correctly, please follow the steps below for a possible solution.

1. Perform the adjustments described in OPERATING THE MONITOR, depending on the problem you have. If the monitor does not get a picture, skip to 2.
2. Consult the following items if you cannot find an appropriate adjustment item in OPERATING THE MONITOR or if the problem persists.
3. If you are experiencing a problem which is not described below or you cannot correct the problem, discontinue using the monitor and contact your dealer or iiyama service center for further assistance.

Problem	Check
A The picture does not appear. (Power indicator does not light up.)	<input type="checkbox"/> The Power Cable is firmly seated in the socket. <input type="checkbox"/> The Power Switch is turned ON. <input type="checkbox"/> The AC socket is live. Please check with another piece of equipment.
(Power indicator is green.)	<input type="checkbox"/> If the blank screen saver is in active mode, touch the keyboard or the mouse. <input type="checkbox"/> Increase the Contrast and/or Back Light level. <input type="checkbox"/> The computer is ON. <input type="checkbox"/> The Signal Cable is properly connected. <input type="checkbox"/> The signal timing of the computer is within the specification of the monitor.
(Power indicator is orange.)	<input type="checkbox"/> If the monitor is in power management mode, touch the keyboard or the mouse. <input type="checkbox"/> The computer is ON. <input type="checkbox"/> The Signal Cable is properly connected. <input type="checkbox"/> The signal timing of the computer is within the specification of the monitor.
B The screen is not synchronized.	<input type="checkbox"/> The Signal Cable is properly connected. <input type="checkbox"/> The signal timing of the computer is within the specification of the monitor. <input type="checkbox"/> The video output level of the computer is within the specification of the monitor.
C The screen position is not in the center.	<input type="checkbox"/> The signal timing of the computer is within the specification of the monitor.
D The screen is too bright or too dark.	<input type="checkbox"/> The video output level of the computer is within the specification of the monitor.
E The screen is shaking.	<input type="checkbox"/> The power voltage is within the specification of the monitor. <input type="checkbox"/> The signal timing of the computer is within the specification of the monitor.
F The touch screen shows no response.	<input type="checkbox"/> The RS-232C Cable or the USB Cable is firmly seated in the socket. <input type="checkbox"/> Touch screen driver software is installed.
G The touch position does not deviate.	<input type="checkbox"/> The calibration function set up correctly.

APPENDIX

SPECIFICATIONS : ProLite T1530SR

ENGLISH

Model Name		ProLite T1530SR-1	ProLite T1530SR-2
Touch Screen	Technology	Resistive Film	
	Surface processing	Anti-glare treatment	
	Light transmission	80%	
	Communication system	USB serial transfer or RS-232C serial transfer	
LCD Panel	Driving system	a-Si TFT Active Matrix	
	Size	Diagonal: 38cm / 15.0"	
	Pixel pitch	0.297mm H x 0.297mm V	
	Brightness	280cd/m ² (With touch panel)	200cd/m ² (With touch panel)
	Contrast ratio	500 : 1 (With touch panel)	
	Viewable angle	Horizontal: 120 degrees, Up: 40 degrees, Down: 60 degrees	
	Response time	16ms (Black, white, black Typical)	8ms (Black, white, black Typical)
Display Colors	Approx. 16.2 million		
Sync Frequency	Horizontal: 31.0-60.0kHz, Vertical: 60-75Hz		
Dot Clock	80MHz maximum		
Maximum Resolution	1024 x 768		
Input Connector	D-Sub mini 15pin		
	DVI-D 24pin		
Plug & Play	VESA DDC2B™		
Input Sync Signal	Separate sync: TTL, Positive or Negative		
Input Video Signal	Analog: 0.7Vp-p (Standard), 75Ω, Positive Digital: DVI(Digital Visual Interface standard Rev.1.0)compliance		
Input Audio Signal	0.7Vrms maximum		
Input Audio Connector	ø 3.5mm mini jack (Stereo)		
Speakers	1W x 2 (Stereo speakers)		
Maximum Screen Size	304.1mm W x 228.1mm H / 12.0" W x 9.0" H		
Power Source	DC12V, 4A		
Power Consumption	23W maximum, Power management (VESA DPMS) : 2W (Max)		
Dimensions	351.0 x 314.5 x 140.0mm / 13.8 x 12.4x 5.5" (WxHxD)		
Net Weight	4.3kg / 9.5lbs		
Tilt Angle	Up: 90 degrees, Down: 5 degrees		
Environmental Considerations	Operative temperature: 5 to 35°C / 41 to 95°F		
	Storage temperature: -20 to 60°C / -4 to 140°F		
	Operative humidity: 20 to 80% (No condensation)		
	Storage humidity : 10 to 90% (No condensation)		
Approvals	CE, TÜV-SUD, FCC-B, UL / cUL, VCCI-B	CE, TÜV-SUD	

SPECIFICATIONS : ProLite T1730SR

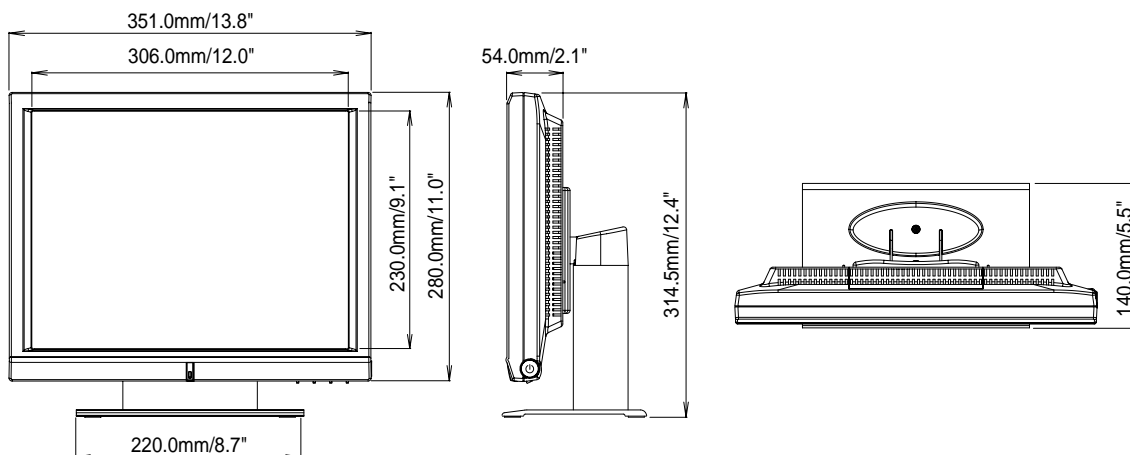
Model Name		ProLite T1730SR-1	ProLite T1730SR-2
Touch Screen	Technology	Resistive Film	
	Surface processing	Anti-glare treatment	
	Light transmission	80%	
	Communication system	USB serial transfer or RS-232C serial transfer	
LCD Panel	Driving system	a-Si TFT Active Matrix	
	Size	Diagonal: 43cm / 17.0"	
	Pixel pitch	0.264mm H × 0.264mm V	
	Brightness	240cd/m ² (With touch panel)	
	Contrast ratio	800 : 1 (With touch panel)	
	Viewable angle	Horizontal: 160 degrees, Vertical: 160 degrees	
	Response time	5ms (Black, white, black Typical)	
Display Colors		Approx. 16.2 million	
Sync Frequency		Horizontal: 31.0-80.0kHz, Vertical: 60-75Hz	
Dot Clock		135MHz maximum	
Maximum Resolution		1280 × 1024	
Input Connector		D-Sub mini 15pin DVI-D 24pin	
Plug & Play		VESA DDC2B™	
Input Sync Signal		Separate sync: TTL, Positive or Negative	
Input Video Signal		Analog: 0.7Vp-p (Standard), 75Ω, Positive Digital: DVI(Digital Visual Interface standard Rev.1.0)compliance	
Input Audio Signal		0.7Vrms maximum	
Input Audio Connector		ø 3.5mm mini jack (Stereo)	
Speakers		1W × 2 (Stereo speakers)	
Maximum Screen Size		337.9mm W × 270.3mm H / 13.3" W × 10.6" H	
Power Source		100-240VAC, 50-60Hz, 1.5A	
Power Consumption		33W maximum, Power management (VESA DPMS) : 2W (Max)	
Dimensions		392.0 × 381.5 × 180.0mm / 15.4 × 15.0 × 7.1" (W×H×D)	
Net Weight		6.6kg / 14.6lbs	
Tilt Angle		Up: 90 degrees, Down: 5 degrees	
Environmental Considerations		Operative temperature: 5 to 35°C / 41 to 95°F Storage temperature: -20 to 60°C / -4 to 140°F Operative humidity: 20 to 80% (No condensation) Storage humidity : 10 to 90% (No condensation)	
Approvals		CE, TÜV-SUD, FCC-B, UL / cUL,	CE, TÜV-SUD, VCCI-B VCCI-B

SPECIFICATIONS : ProLite T1930SR

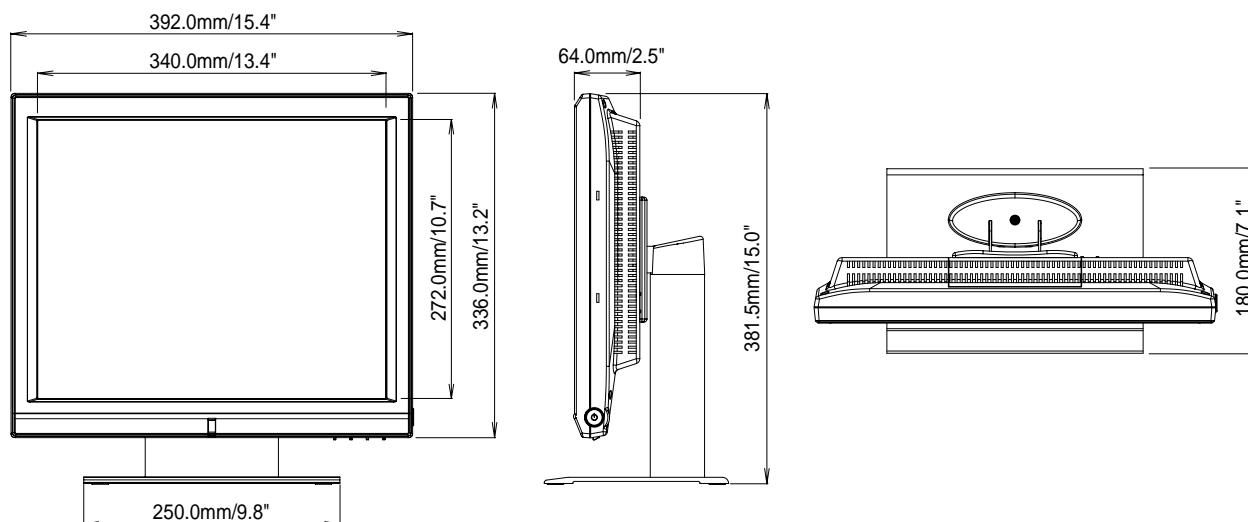
Touch Screen	Technology	Resistive Film
	Surface processing	Anti-glare treatment
	Light transmission	80%
	Communication system	USB serial transfer or RS-232C serial transfer
LCD Panel	Driving system	a-Si TFT Active Matrix
	Size	Diagonal: 48cm / 19.0"
	Pixel pitch	0.294mm H x 0.294mm V
	Brightness	240cd/m ² (With touch panel)
	Contrast ratio	800 : 1 (With touch panel)
	Viewable angle	Horizontal: 160 degrees, Vertical: 160 degrees
	Response time	5ms (Black, white, black Typical)
Display Colors		Approx. 16.7 million
Sync Frequency		Horizontal: 31.0-80.0kHz, Vertical: 60-75Hz
Dot Clock		135MHz maximum
Maximum Resolution		1280 x 1024
Input Connector		D-Sub mini 15pin DVI-D 24pin
Plug & Play		VESA DDC2B™
Input Sync Signal		Separate sync: TTL, Positive or Negative
Input Video Signal		Analog: 0.7Vp-p (Standard), 75Ω, Positive Digital: DVI(Digital Visual Interface standard Rev.1.0)compliance
Input Audio Signal		0.7Vrms maximum
Input Audio Connector		ø 3.5mm mini jack (Stereo)
Speakers		1W x 2 (Stereo speakers)
Maximum Screen Size		376.3mm W x 301.1mm H / 14.8" W x 11.9" H
Power Source		100-240VAC, 50-60Hz, 1.5A
Power Consumption		42W maximum, Power management (VESA DPMS) : 2W (Max)
Dimensions		438.0 x 417.5 x 180.0mm / 17.2 x 16.4 x 7.1" (WxHxD)
Net Weight		7.6kg / 16.8lbs
Tilt Angle		Up: 90 degrees, Down: 5 degrees
Environmental Considerations		Operative temperature: 5 to 35°C / 41 to 95°F Storage temperature: -20 to 60°C / -4 to 140°F Operative humidity: 20 to 80% (No condensation) Storage humidity : 10 to 90% (No condensation)
Approvals		CE, TÜV-SUD, FCC-B, UL / cUL, VCCI-B

DIMENSIONS

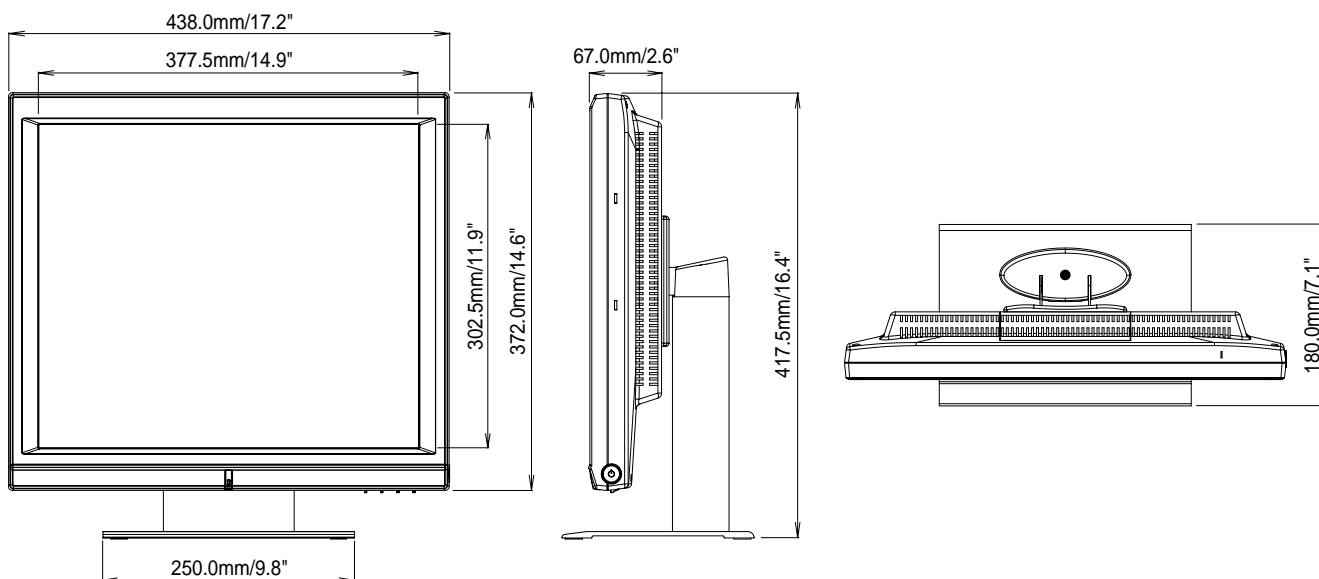
■ ProLite T1530SR



■ ProLite T1730SR



■ ProLite T1930SR



COMPLIANT TIMING

Video Mode		Horizontal Frequency	Vertical Frequency	Dot Clock
VESA	VGA 640 × 480	31.469kHz	59.940Hz	25.175MHz
		37.861kHz	72.809Hz	31.500MHz
		37.500kHz	75.000Hz	31.500MHz
	SVGA 800 × 600	35.156kHz	56.250Hz	36.000MHz
		37.879kHz	60.317Hz	40.000MHz
		48.077kHz	72.188Hz	50.000MHz
		46.875kHz	75.000Hz	49.500MHz
	XGA 1024 × 768	48.363kHz	60.004Hz	65.000MHz
		56.476kHz	70.069Hz	75.000MHz
		60.023kHz	75.029Hz	78.750MHz
	SXGA 1280 × 1024	63.981kHz	60.020Hz	108.000MHz
		79.976kHz	75.025Hz	135.000MHz
VGA TEXT	720 × 400 *1	31.469kHz	70.087Hz	28.322MHz

*2

*2

*3

NOTE *1 The screen is stretched vertically because the screen size ratio is not 4:3.

*2 Not compliant to ProLite T1530SR.

*3 Not compliant to DVI input.

Free Manuals Download Website

<http://myh66.com>

<http://usermanuals.us>

<http://www.somanuals.com>

<http://www.4manuals.cc>

<http://www.manual-lib.com>

<http://www.404manual.com>

<http://www.luxmanual.com>

<http://aubethermostatmanual.com>

Golf course search by state

<http://golfingnear.com>

Email search by domain

<http://emailbydomain.com>

Auto manuals search

<http://auto.somanuals.com>

TV manuals search

<http://tv.somanuals.com>