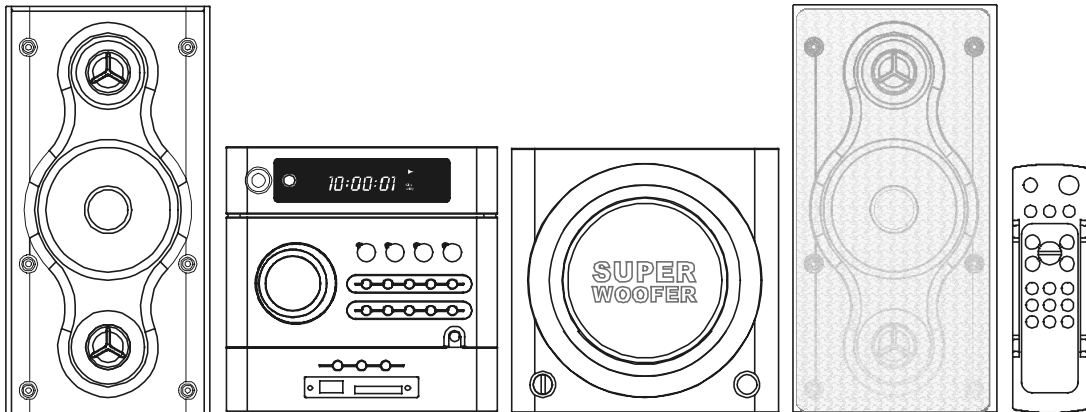


# iLuv™

## Instruction Manual

### i7500



Please read this manual carefully before operating and save it for future reference.

**CONTENTS**

1. CAUTIONS AND WARNINGS .....	2
2. IMPORTANT SAFETY INSTRUCTIONS .....	3
3. HANDLING COMPACT DISCS .....	5
4. CONTROL PANEL	
a. MAIN UNIT .....	6
b. SUBWOOFER .....	7
5. REMOTE CONTROL .....	8
6. INSTALLATION & CONNECTIONS .....	8
7. OPERATIONS	
a. GENERAL OPERATIONS .....	9
b. CLOCK & RADIO .....	9
c. MP3 CD / AUDIO CD .....	10
d. USB / SD / MS / MMC .....	11
e. iPod .....	12
8. SPECIFICATIONS .....	12

**CAUTIONS AND WARNINGS**

**WARNING:** To prevent fire or shock hazard, do not expose this appliance to rain or moisture.

	<b>CAUTION</b> <b>RISK OF ELECTRIC SHOCK</b> <b>DO NOT OPEN</b>	
These markings are located on the bottom, side or back of the unit.		

**CAUTION:** To prevent the risk of electric shock, do not remove cover (or back). Non- user-serviceable parts inside. Refer servicing to a service professional.



The lightning flash with an arrowhead symbol, within an equilateral triangle, is intended to alert the user to the presence of un-insulated "dangerous voltage" within the product's enclosure that may be of sufficient magnitude to constitute a risk of electric shock to a person.

The exclamation point within an equilateral triangle is intended to alert the user to the presence of important operating, maintenance and servicing instructions in the literature accompanying the appliance.

Dripping warning: "This product shall not be exposed to any dripping or splashing, and no objects filled with liquids, such as vases, shall be placed on or near the product."

Ventilation warning: "The normal ventilation of the product shall not be impeded for intended use."

Note: Minimum distances must be kept around the apparatus for sufficient ventilation, especially while use of the apparatus is in tropical and/or moderate climates.

	Dispose of old batteries safely. <b>Do not throw them into a fire.</b>
 <div style="border: 1px solid black; padding: 2px; width: fit-content; margin: 0 auto;"><b>CLASS 1 LASER PRODUCT</b></div>	<p><b>LASER SAFETY</b> This unit utilizes laser technology. Only a qualified professional should remove the cover or attempt to service this device, due to possible eye injury.</p> <p><b>CAUTION</b></p> <ul style="list-style-type: none"> <li>• Use of controls or adjustments or performance of procedure other than specified herein may result in hazardous radiation exposure.</li> <li>• Hazardous laser radiation when open and interlock defeated.</li> </ul> <p><b>DANGER</b> Invisible laser radiation when open and interlock failure. Avoid direct exposure to beam.</p>

**IMPORTANT SAFETY INSTRUCTIONS**

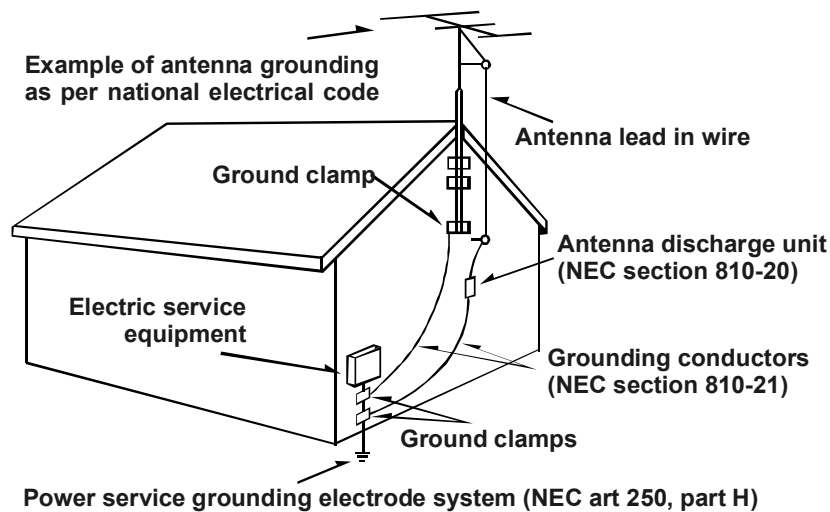
1. **READ INSTRUCTIONS** - All the safety and operating instructions should be read before the appliance is operated.
2. **RETAIN INSTRUCTIONS** - The safety and operating instructions should be retained in a secure place for future reference.
3. **HEED WARNINGS** - All warnings on the appliance and in the operating instructions should be adhered to.
4. **FOLLOW INSTRUCTIONS** - All operating and use instructions should be followed.
5. **WATER AND MOISTURE** - The appliance should not be used near water. For example: near a bathtub, kitchen sink, laundry tub, and swimming pool or even in a wet basement.
6. **VENTILATION** - The appliance should be situated so that its location and position does not interfere with its proper ventilation. For example, the appliance should not be situated on a bed, sofa, rug or similar surface that may block the ventilation openings; or, be placed in a built-in installation, such as a bookcase or cabinet that may impede the flow of air through the ventilation openings.
7. **HEAT** - The appliance should be situated away from heat sources such as radiators, heat registers, stoves, or other appliances (including amplifiers) that produce heat.
8. **POWER SOURCES** - The appliance should be connected to a power supply only of the type described in the operating instructions or as marked on the appliance.
9. **GROUNDING AND POLARIZATION** - Precautions should be taken to ensure that the grounding or polarization of the appliance is correct.
10. **POWER CORD PROTECTION** - Power supply cords should be routed so that they are not likely to be walked on or obstructed by items placed upon or against them. Pay particular attention to cords at plugs, convenience receptacles, and the point at which they exit from the appliance.
11. **CLEANING** - The appliance should be cleaned only as recommended by the manufacturer.
12. **POWER LINES** - An outdoor antenna should be located away from power lines.
13. **NONUSE PERIODS** - The power cord of the appliance should be unplugged from the outlet when the appliance is to be left unused for an extended period of time.
14. **OBJECT and LIQUID ENTRY** - Care should be taken so that objects do not fall and liquids are not spilled into the device's openings.
15. **CARTS AND STANDS** - The appliance should be used only with a cart or stand that is recommended by the manufacturer. An appliance and cart combination should be moved with care. Quick stops, excessive force, and uneven surfaces may cause the appliance and cart combination to overturn.

**PORTABLE CART  
WARNING**

16. **WALL OR CEILING MOUNTING** - If the appliance is mounted to a wall or ceiling, it should be mounted only as recommended by the manufacturer.
17. **DAMAGE REQUIRING SERVICE** - The appliance should be serviced by qualified service professional when:
  - a. The power-supply cord or plug has been damaged.
  - b. Objects have fallen into, or liquid has been spilled into the appliance's apertures.
  - c. The appliance has been exposed to rain.

## IMPORTANT SAFETY INSTRUCTIONS

- d. The appliance has been dropped and suffered damage.
  - e. The appliance does not appear to operate normally or exhibits a marked change in performance.
18. **SERVICING** - The user should not attempt to service the appliance beyond that described in the user's operating instructions. All other servicing should be referred to qualified service professional.
19. **OUTDOOR ANTENNA GROUNDING** - If an outside antenna is connected to the receiver, be sure that the antenna system is grounded so as to provide some protection against voltage surges and built up static charges. Section 810 of the National Electrical Code, ANS/NFPA No. 70-1984 provides information with respect to proper grounding of the mast and supporting structure, grounding of the lead-in wire to an antenna discharge unit, size of grounding conductors, location of antenna discharge unit, connection to grounding electrodes, and requirements for the grounding electrode.



20. **PROTECTIVE ATTACHMENT PLUG** - The appliance is equipped with an attachment plug that has an overload protection. This is a safety feature. If replacement of the plug is required, be sure the service technician has used a replacement plug specified by the manufacturer that has the same overload protection as the original plug. (UK Version Only)

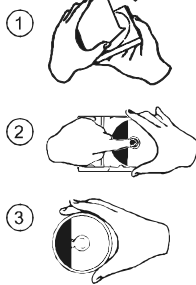
## HANDLING COMPACT DISCS



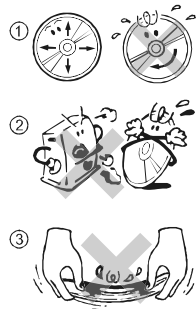
This unit has been designed to play compact discs bearing the identification logo shown at the left. No other discs can be played.

### HANDLING THE DISCS

1. Remove the CD from the Disc tray of your unit, if it is not going to be used for an extended period of time.
2. Keep the disc in a disc case when storing.
3. Do not store the disc where it may be exposed to:
  - a. Direct sunlight for a long period of time
  - b. High temperatures via any heating implements
  - c. High humidity



1. Open a disc case by holding the bottom left and right sides with the right hand, and then lifting the top cover with the left hand.
2. Press down on the center of the case and lift the disc out carefully.
3. Hold by the edges without touching the recording surface. (Play rainbow lighting side)



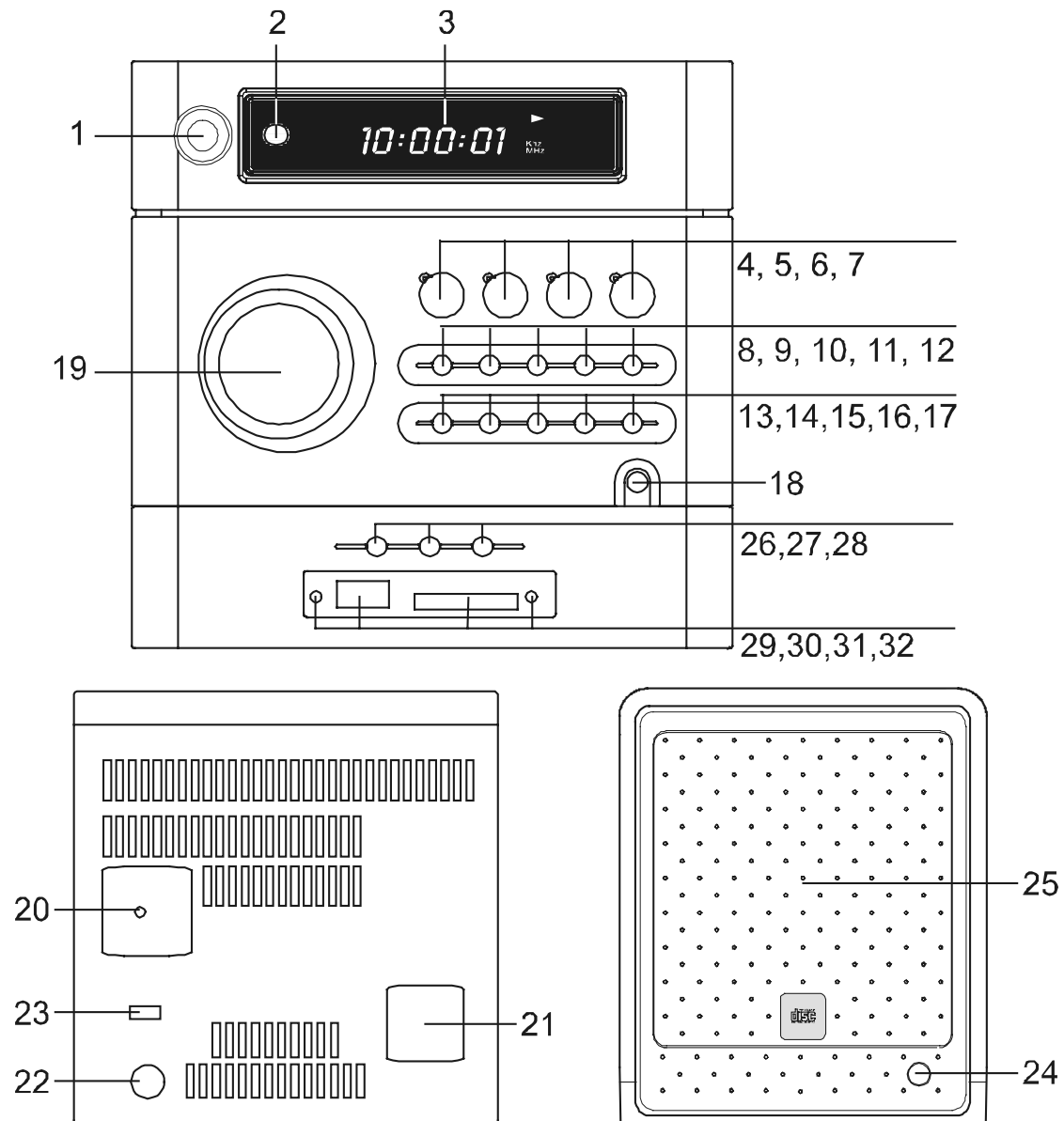
1. Foreign objects, dust and finger prints should be carefully wiped off in a straight motion from the inside to the outside of the recorded side of the disc with a soft cloth before use.
2. Do not expose discs to direct sunlight, heating implements and high temperatures.
3. Do not bend the disc.



1. Avoid serious scratches that could cause the laser pickup to skip.
2. Do not attempt to widen the center hole in the disc. It will result in damage to the disc.
3. Do not write anything with a ballpoint pen or pencil on the disc's level surface.

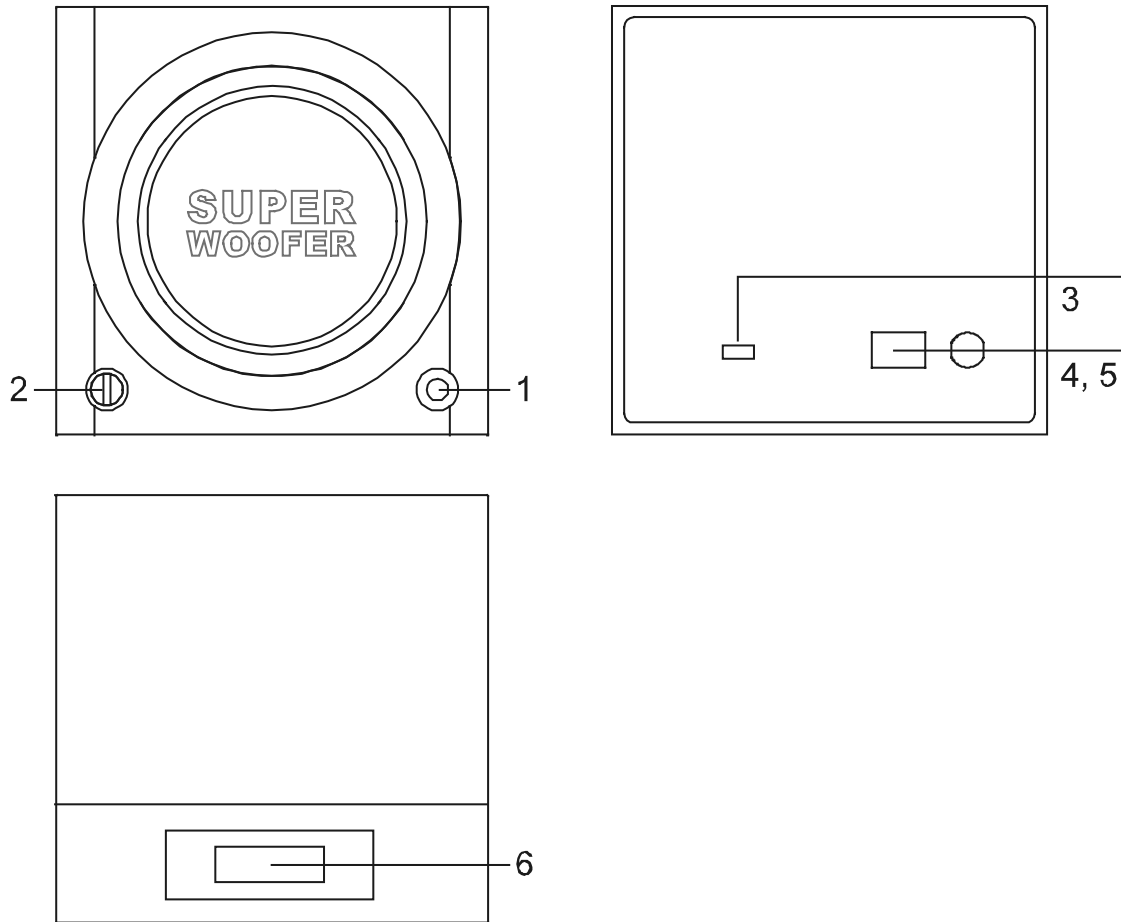


1. Never use chemicals such as record sprays, antistatic sprays or fluid, benzene or thinner to clean compact discs. Such chemicals would irreparably damage the disc's plastic surface.
2. If a disc is suddenly removed from a cold to a hot area, it will not play due to moisture on the disc's surface. So wipe off with a soft cloth. Do not use a hair dryer to dry moisture on discs.

**CONTROL PANEL ( MAIN UNIT)**

1. POWER ON / STANDBY
2. REMOTE SENSOR
3. MULTI-FUNCTION LCD
4. ▶/|| (PLAY/PAUSE)
5. ■ (STOP)
6. ⏮ (REW/DOWN)
7. ⏭ (FF/UP)
8. FUNCTION
9. BAND
10. STEREO
11. REPEAT
12. MEMORY
13. MUTE
14. PRESET EQUALIZER (EQ)
15. TIMER
16. SLEEP

17. RANDOM
18. PHONES JACK
19. VOLUME CONTROL
20. FM ANTENNA
21. SPEAKER TERMINAL
22. AC POWER CORD
23. CONTROL CABLE
24. OPEN/CLOSE
25. CD TRAY
26. FIND Key
27. ALBUM/PRESET -
28. ALBUM/PRESET+
29. USB indication
30. USB Port
31. SD/MS/MMC socket
32. SD/MS/MMC indication

**CONTROL PANEL (SUBWOOFER)**

1. **POWER**
2. **VOLUME CONTROL**
3. **CONTROL CABLE INPUT**
4. **POWER SWITCH**

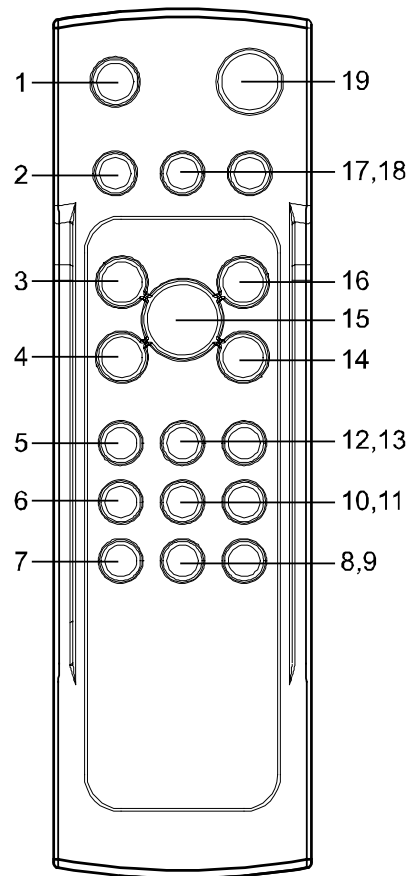
**Warning:** Due to the main switch's location at the rear panel, the apparatus must be located in an open area without any obstructions for easy access to the main switch.

5. **AC POWER CORD**
6. **iPod DOCKING STATION**



## REMOTE CONTROL

1. MUTE
2. EQ (EQUALIZER)
3. ▶/|| (PLAY/PAUSE) - CD MODE SELECTION
4. ⏮ (REW/DOWN)
5. ALBUM/PRESET -
6. INTRO
7. SLEEP
8. TIMER
9. REPEAT
10. RAND (RANDOM)
11. PROG (PROGRAM)
12. ALBUM/PRESET +
13. FIND/ST
14. ⏭ (FF/UP)
15. VOLUME
16. ■ (STOP)
17. BAND
18. FUNCTION
19. POWER



## INSTALLATION & CONNECTIONS

### INSTALLATIONS

1. Unpack all parts and remove protective material.
2. Insert the batteries (2 x "AAA") into the remote control transmitter as shown in the battery compartment.
3. Do not connect the unit to the mains before checking the main voltage and before all other connections have been made.
4. Do not cover any vents and make sure that there is ample space of several centimeters around the unit for ventilation.

### CONNECTIONS

1. Terminals for 2 loudspeakers (minimum speaker impedance 4 ohm): Attach loudspeaker cables to the unit.
  - a. Left speaker: connect the wire to terminal 'L'.
  - b. Right speaker: connect the wire to terminal 'R'.
2. Uncoil the FM antenna wire for best reception.

### POWER STANDBY ON/OFF

When you first plug the unit into the mains, the unit will go into the Standby mode. The display will show the time.

1. Press the **POWER** button on the remote control to switch on the unit.
  - a. The standby function of the unit remains on until the unit is switched off.
2. Pull the main plug out of the wall outlet if you want to switch off the main voltage completely.

## GENERAL OPERATIONS

**NOTE:** Before setting the timer, make sure the clock is correctly set.

### SETTING THE SOUND SOURCE

Select TUNER or CD mode and select the desired sound source.

### SETTING THE TIMER FOR TUNER

1. If you select BAND, press **REW/DOWN** or **FF/UP** to select a preset station.
2. The display will show the selected preset station and frequency.
3. Press **TIMER** to confirm your selection.
  - a. "H" icon and "ON" will appear on the display.
  - b. The hour digit segment will flash more than 2 seconds.
4. Press **⏮ (REW/DOWN)** or **⏭ (FF/UP)** to set the hour.
5. Press **TIMER** again, and the Minutes Digit segment will flash on the display.
6. Press **⏮ (REW/DOWN)** or **⏭ (FF/UP)** to set the minutes.
7. Press **TIMER** again to store the start time.
8. Repeat steps 6~8 to set the timer off.
  - a. The display will show the TUNER segment.
9. Press **TIMER** to store the sound source.
  - a. The volume level 15 will appear on the display.
10. Press **⏮ (REW/DOWN)** or **⏭ (FF/UP)** to set the desired sound level.
11. Press **TIMER** again to store the timer setting.

### SETTING THE TIME FOR THE CD

1. Insert a disc into the CD tray.
2. Press **TIMER**.
3. Repeat steps 4-11 under 'Setting the Timer for Tuner'
4. Press **⏮ (REW/DOWN)** or **⏭ (FF/UP)** to set the sound source to CD.
  - a. The volume level 15 will appear on the display.
5. Press **⏮ (REW/DOWN)** or **⏭ (FF/UP)** to set the desired sound level.
6. Press **TIMER** again to store the timer setting. CD will be played.

### SETTING THE TIMER OFF

Press the **TIMER**. The "H" icon will disappear.

### SETTING THE SLEEP FUNCTION

1. Press **SLEEP**, and "SLEEP" will appear on the display.
2. Keep pressing **SLEEP** to adjust the sleep time in the order of 90>80>70...10 minutes.
3. To cancel the Sleep mode, press **SLEEP** again.

### SETTING THE PRESET EQUALIZER

Press **PRESET EQ** to select the digital sound performance in the order of PASS, CLASSIC, ROCK, POP, JAZZ and PASS.

### MUTING THE SOUND

Press **MUTE** to terminate the sound output. Press again to cancel this mode.

## OPERATIONS (CLOCK & RADIO)

### SETTINGS

1. Under the power standby mode, press and hold **MEMORY** on the main unit for 2 seconds to access clock setting. The first second digit of the 24-hour clock will flash.
2. Press **⏮ (REW/DOWN)** or **⏭ (FF/UP)** on the remote control to set the correct hours.
3. Press **MEMORY** to select the minutes setting, and the "00" will flash.
4. Press **⏮ (REW/DOWN)** or **⏭ (FF/UP)** to set the correct minutes.
5. Press **MEMORY** once more to store and confirm in the memory.

### TUNING RADIO FREQUENCY

1. Press **POWER** on the remote control to switch on the unit or remote.
2. Press **FUNCTION** on the remote control to select the tuner mode.
3. Select the radio band (AM/FM) by pressing **BAND** on the remote control.
4. Press **⏮ (REW/DOWN)** or **⏭ (FF/UP)** for few seconds, and then release the button.

- a. The tuner will automatically search for the first transmitter of sufficient strength.
  - b. Repeat this procedure if you wish to select another station.
5. To tune to weak stations, briefly press **⏮ (REW/DOWN)** or **⏭ (FF/UP)** repeatedly until you read the correct frequency or the reception is at its optimum.
6. Press **FIND/ST.** on the remote control to switch to the FM mono reception mode if there is interference noise during FM STEREO reception.

#### STORING RADIO STATIONS INTO PRESET MEMORY

1. Select the radio band (AM/FM) by pressing **BAND** on the remote control.
2. Tune to the desired station as described under Tuning.
3. Press **MEMORY** on the main unit. "01" will start to flash and **PROG** will display.
4. Press **ALBUM/PRESET -** or **ALBUM/PRESET +** to assign a number between 1 and 30 for FM, and between 1 and 10 for AM, to the preset station.
5. Press **MEMORY** again. The frequency, preset number and stereo setting are now stored in the memory.
6. Repeat this procedure to store other radio stations.

#### TUNING TO PRESET STATIONS

Select a number between 1 and 30 for FM and between 1 and 10 for AM by pressing: **ALBUM/PRESET -** or **ALBUM/PRESET +** buttons.

### OPERATIONS (MP3 CD / AUDIO CD)

#### INSERTING THE MP3 CD / AUDIO CD DISC

1. Press **OPEN/CLOSE** to open the CD door.
2. Insert an MP3 CD / Audio CD in the tray.
3. Press **OPEN/CLOSE** again to close the CD door.
  - a. The MP3 CD / Audio CD player starts and scans the content list of the MP3 CD / Audio CD.
  - b. For Audio CD, the total playing time and number of tracks appear on the display.
  - c. For MP3 CD, the total number of tracks, albums and MP3 indication appear on the display.

#### PLAYING THE ENTIRE DISC

1. Press **▶/|| (PLAY/PAUSE)** to play a CD.
  - a. Play starts with the first track.
  - b. The display shows the current track number and its elapsed playing time.
  - c. When all the tracks have been played, the MP3 CD / Audio CD stops and returns to the original display.
2. To stop play, press **■ (STOP)**.
3. To interrupt play, press **▶/|| (PLAY/PAUSE)**.
4. To resume play, press **▶/|| (PLAY/PAUSE)** again.

#### SELECTING A DIFFERENT TRACK DURING PLAY

1. Press **⏮ (REW/DOWN)** or **⏭ (FF/UP)** until the required track number appears in the display.
2. Press the **ALBUM/PREST -** or the **ALBUM/PRESET +** keys once or more to find your desired album (MP3 CD mode only).

#### TO START THE TRACK OVER THAT IS CURRENTLY PLAYING

Press the **⏮ (REW/DOWN)** key once and the track will be started again from the beginning.

#### TO SEARCH FOR A PASSAGE DURING PLAY

Hold the **⏮ (REW/DOWN)** or **⏭ (FF/UP)** key to search for the required passage, and once you release the button, play will continue.

#### FIND FUNCTION

For MP3 CD playback only: Press **FIND** to access the search function.

#### FIND BY FILE NAME

1. Press the **FIND** button once to access this Search mode. The display will show files alphabetically.
2. Press **⏮ (REW/DOWN)** or **⏭ (FF/UP)** to search from A-Z (0-9).
3. Press and hold **⏮ (REW/DOWN)** or **⏭ (FF/UP)** if any file name starts with the letter "A". The "A" will stop flashing.
4. Press **⏮ (REW/DOWN)** or **⏭ (FF/UP)** again. The display will show the other songs, i.e.: A-APPLE, A-ANGEL etc.
5. Press **▶/|| (PLAY/PAUSE)** key to start playing this track with your selected letter.

**FIND BY ALBUM NAME**

1. Press **FIND** twice to access this Search mode. The display will show "♪" and "Album".
2. Press **⏮ (REW/DOWN)** or **⏭ (FF/UP)** to search your desired album
3. Press **▶ / ⏸ (PLAY/ PAUSE)** to start playing.

**TEXT DISPLAY (ID 3 DISPLAY)**

During MP3 or CD playing, press the **FIND** key for 2 seconds to switch to Text Display mode, and it will show the file name / title / artist / album of the current track. Press the **FIND** key for 2 seconds to return to the track playing time.

**Note:** This unit is compatible with ID3 V1 only.

**PROGRAMMING TRACKS**

Up to 64 tracks can be stored in the memory.

1. Load an MP3 CD / Audio CD as described previously.
2. Press **MEMORY** to start programming.
3. Press **⏮ (REW/DOWN)** or **⏭ (FF/UP)** to locate a particular track or album/track (MP3 CD).
4. Press **MEMORY** to store it in the memory.
5. Continue this process until you have selected all the tracks you require.
6. To stop programming at any time, press **■ (STOP)**.

**REVIEWING THE PROGRAM**

1. Press **MEMORY** to review the tracks currently programmed. Once begun, the tracks will be displayed on the LCD.
2. Press **MEMORY** again for going to the next.

**PLAYING A PROGRAMMED TRACK LIST**

1. Press **▶ / ⏸ (PLAY/ PAUSE)**
  - a. Play starts with the first track of the program.
  - b. When all tracks have been played, the MP3 CD / Audio CD player stops.

**CLEAR PROGRAMMED TRACKS**

Opening and closing the CD tray will erase all programmed tracks.

**REPEAT PLAY (For Audio CD)**

If at any time you wish to listen to a disc or program over and over again, the REPEAT function will allow you to do so.

1. Press **REPEAT** once.
  - a. "REPEAT 1" will be displayed on the LCD.
2. Press **REPEAT** twice. "REPEAT ALL" will be displayed on the LCD.
3. Press **REPEAT** again to cancel the repeat function.

**REPEAT PLAY (For MP3 CD)**

1. Press **REPEAT** once. "REPEAT 1" will be displayed on the LCD.
2. Press **REPEAT** twice. "REPEAT ALL" will be displayed on the LCD.
3. Press **REPEAT** third time, and the "REPEAT ALBUM" will be displayed on the LCD.
4. Press **REPEAT** fourth time to cancel the repeat function.

**RANDOM PLAY**

1. Press **RANDOM** once, and "RAND" will be displayed on the LCD.
2. Press **RANDOM** twice to cancel the random function.

**OPERATIONS (USB / SD / MS / MMC)****INSERTING THE USB/SD/MS/MMC**

Insert a USB or SD/MS/MMC in the USB socket or in the SD/MS/MMC socket.

**SELECT USB OR SD/MS/MMC**

1. Press **FUNCTION** repeatedly to select CARD-USB. If there's a USB and a SD/MS/MMC, the SD/MS/MMC indication lights, the total number of tracks, albums and MP3 indication appear on the display.
2. Press and hold **■ (STOP)** for 2 seconds. The USB indication lights, the total number of tracks, albums and MP3 indication appear on the display.

**FIND BUTTON FUNCTION**

Press **FIND** to access the search function.

**FIND ALBUM BY NAME**

1. Press **FIND** to access this Search mode. The display will show "♫", "ALBUM" and the name of the folder. You can then press **⏮ (REW/DOWN)** or **⏭ (FF/UP)** to search the file name, eg: AAA, CCC etc.
2. Press **▶/⏸ (PLAY/ PAUSE)** to start playing.

**TEXT DISPLAY (ID3 DISPLAY)**

1. During MP3 playing, press **FIND** for 2 seconds to switch to Text Display mode, and it will show the file name / title / artist / album of the current track.
2. Press **FIND** for 2 seconds again to return to the track playing time.

**OPERATIONS (iPod)****INSERTING THE iPod**

Insert an iPod in the iPod docking of the sub-woofer. Do this under the power-on mode of main unit, and then the main unit will auto change to iPod mode.

**Note:** Select the correct iPod adaptors (included) and insert it into the docking station. Different iPod adaptors supplied with this device are for different iPod models. Each iPod adaptor (included) is engraved with alphabets (e.g. A, B, C, D, F, H) on the back to match the correct size and type of iPod models as described below:

- A – Use with iPod 20GB
- B – Use with iPod Nano
- C – Use with iPod Mini
- D – Use with iPod 30GB
- F – Use with iPod Photo and 40GB
- H – Use with iPod 60GB

**Flat Cover** – If the device is not to be used for a long period of time, cover the docking station with protection cover (included) to prevent damage.

**SELECT AND PLAYING THE iPod**

1. Press the **FUNCTION** key repeatedly until "iPod" appears on the LCD, and then the iPod will start to play.
2. To stop play, press **■ (STOP)**.
3. To interrupt play, press **▶/⏸ (PLAY/ PAUSE)**.
4. To resume play, press **▶/⏸ (PLAY/ PAUSE)** again.
  - a. You can operate the iPod by pressing the keys of iPod too.
5. Press **⏮ (REW/DOWN)** or **⏭ (FF/UP)** until the required track number appears in the display.

**SPECIFICATIONS**

Power Supply	120 V ~ 60 Hz
Output Power (Per Channel)	4.5 watts RMS into 4 ohm
Power Consumption	28 W
Frequency Range	AM 530 - 1710 KHz FM 87.5 - 108 MHz
Frequency Response (-6dB)	60-20,000 Hz
Signal-to-noise Ratio	40 dB
Harmonic Distortion	1%
Channel Separation	35 dB

**iLuv™**

**TEL: 516-626-7188**

**FAX: 516-626-7105**

**website: [www.i-Luv.com](http://www.i-Luv.com)**

**e-mail: [info@i-Luv.com](mailto:info@i-Luv.com)**

iLuv™ is a trademark of jWIN Electronics Corporation and all rights for us of these trademark is reserved and protected by law. iPod® is a registered trademark owned by Apple Computer Inc. in U.S.A and in other countries. All logos and brands are property of their respective owners. Features and specifications are subject to change without prior notification.

© 2006 jWIN Electronics Corp., All rights reserved. The packaging and the product herewith are the sole property of jWIN Electronics Corp. No portion of this package or product enclosed herewith including design, shape, graphics, may be not reproduced or transmitted in any form without the expressed written consent of jWIN Electronics Corp. by any means, electronics or mechanical, including photocopy, recording or information storage and retrieval system. Any unauthorized distribution of this package design or product, or any portion there of, will be prosecuted to the fullest possible extent of the law. iPod® is not included with this product.

## Free Manuals Download Website

<http://myh66.com>

<http://usermanuals.us>

<http://www.somanuals.com>

<http://www.4manuals.cc>

<http://www.manual-lib.com>

<http://www.404manual.com>

<http://www.luxmanual.com>

<http://aubethermostatmanual.com>

Golf course search by state

<http://golfingnear.com>

Email search by domain

<http://emailbydomain.com>

Auto manuals search

<http://auto.somanuals.com>

TV manuals search

<http://tv.somanuals.com>