

iLuv[®]

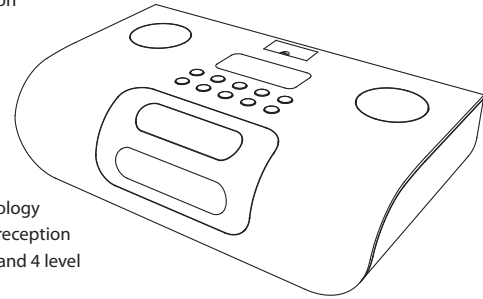
Model : i177

Instruction Manual

INTRODUCTION

Congratulations on your purchase of the iLuv i177 for your iPod. Uniquely designed to work with your iPod, this iLuv stereo audio system with the built-in universal dock provides advanced audio and radio performance that brings out the best in your music. Remember to keep this manual for future reference.

- Enjoy rich sound from your iPod * with jAura™ acoustic speaker technology
- Powerful built-in speakers allow you to hear your music with depth and clarity
- Digital clock display with dual alarm function
- Wake to your iPod, AM/FM radio, or buzzer
- Fall asleep to your iPod or AM/FM radio
- Plays and charges your iPod *
- Integrated universal dock for your iPod
- Supports iPod shuffle**
- Auxiliary line input for any audio devices with 3.5mm jack
- AM/FM radio with PLL digital tuning technology
- External loop antenna provides better AM reception
- Liquid crystal display with white backlight and 4 level dimmer control



What's Included?

- Main unit
- Remote control (battery included)
- Dock adapters
- iPod shuffle adapter
- AC adapter
- Audio patch cable (3.5mm to 3.5mm)
- AM loop antenna

* Compatible with any iPod with dock connector (excluding 1st, 2nd, and 3rd generation iPod)

** iPod shuffle 2nd generation only / iPod shuffle cannot be played and charged at the same time.

TABLE OF CONTENTS

INTRODUCTION	1
GETTING STARTED	
Installing the AC adapter	3
Installing the backup battery for clock and alarm settings	3
Remote control first time use and replacing of the battery	4
Installing the AM loop antenna	4
Installing the dock adapter	4
Location of controls on the main unit	5
Location of controls on the remote control	6
Location of indications on the LCD screen	7
Setting the clock time	8
Setting the alarm time	8
OPERATIONAL INSTRUCTIONS	
Outputting the audio signal to an external amplifier or recording device	9
Listening to your favorite songs on your iPod	10
Charging your iPod	10
Listening to other audio devices	11
Listening to your favorite radio stations	11
Using the alarm function	12
Adjusting the brightness of the LCD screen	12
Setting the sleep time	13
MAINTENANCE & TROUBLESHOOTING GUIDE	14
USER SAFETY GUIDE	16
SPECIFICATIONS	23

GETTING STARTED

Installing the AC Adapter

Locate the AC adapter jack on the back of the unit. Insert the AC adapter cable into the jack, and plug into the wall outlet.

Installing the Backup Battery for Clock and Alarm Settings

In order to offer consistent clock settings and alarm functions, the i177 uses a backup battery system. This means that in the event of a power failure, all the settings of i177 will remain saved. For example, after the installation of the Backup Battery, the AC cord is disconnected or a power failure occurs, the display will not remain lit, but the time, date and alarm settings will be temporarily maintained. The alarm, however, will not sound when the i177 is powered only by the Backup Battery. To install Backup Battery, follow the instructions below:

1. Make sure the connection between the AC adapter and the unit is secure. This is important because during battery replacement it is possible for all settings to be lost if clock and alarm have already been set.
2. Locate the battery compartment on the bottom of the unit and open.
3. Insert 2 "AA" batteries, following the correct polarity (+/-) drawings inside the battery compartment. For longer battery life, alkaline batteries are suggested. Please note that new and used batteries should not be mixed. Likewise, alkaline, standard (carbon-zinc) or rechargeable (nickel-cadmium) batteries should not be used together.
4. Secure the battery compartment by closing the cover.

Important Notes on Batteries

To prevent battery leakage, which may result in bodily injury, property damage or damage to the unit, follow these instructions.

- Install all batteries correctly according to the polarity (+/-) as marked on the unit.
- Do not mix old and new batteries, carbon and alkaline, etc.
- Remove batteries from the unit when the device will not be used for an extended period of time.

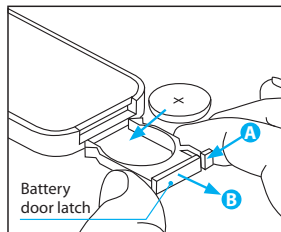
Please dispose the used batteries properly according to your local government regulations.

GETTING STARTED

Remote Control - First Time Use and Replacing of the Battery

The remote control battery has been previously installed and ready for operation for immediate use. For the first time use, pull out the insulation tag from the button battery tray before operating the remote control. When the remote control stops functioning, you must replace the battery with a new one. To do so, locate the battery compartment on the side of the remote and follow the steps below:

1. Squeeze the notch labeled "Tab A" while pulling the "battery door latch B" out towards you. This will allow the battery holder to release and pop out. Please refer to the picture on the right side.
2. Insert a "CR2025" 3V lithium battery. Make certain to follow the correct polarity, following the directions of the corresponding symbols (+/-).
3. Secure battery and push the battery holder back into the remote control until fully inserted.



Installing the AM Loop Antenna

For AM radio operation, locate the AM antenna jack on the back of the unit. Plug the AM loop antenna into the connector. To achieve the best reception possible, a distance of 30 cm between the AM antenna, the unit and the iPod is recommended.

Installing the Dock Adapter

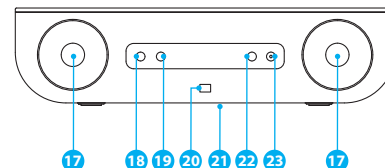
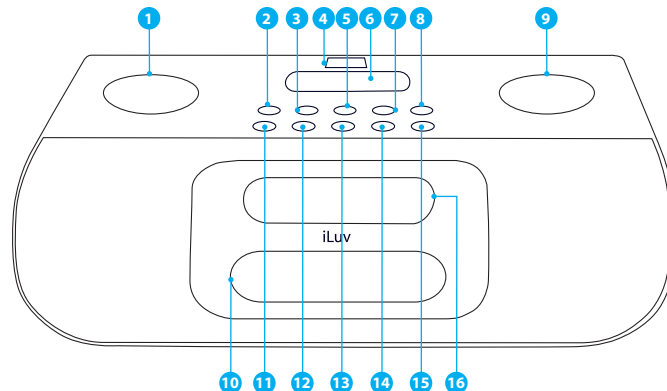
To guarantee that your iPod will fit properly into the built-in universal dock, several detachable dock adapters for old iPod players are included with this product. Please check the bottom of dock adapters to determine compatibility with your iPod.

1. Inserting the dock adapter
 - a. Choose a dock adapter that corresponds with the iPod you would like to dock. Using the correct dock adapter ensures a proper fit.
 - b. Gently push the dock adapter down into the universal dock.
 - c. Carefully place your iPod into the universal dock. Please note that iPod must not be in a case or "Skin".
2. Removing the dock adapter
 - a. Remove your iPod, grasp the dock adapter and lift upwards carefully.

GETTING STARTED

Location of Controls on the Main Unit

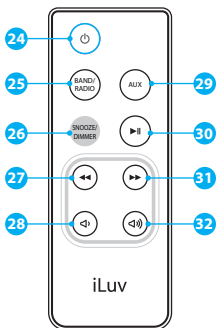
1. **VOLUME**
2. **PLAY / PAUSE**
3. **BAND/RADIO**
4. **Connector for iPod shuffle 2nd Generation**
5. **iPod / shuffle**
6. **Built-in Universal Dock**
7. **ALARM 1**
8. **ALARM 2**
9. **SEARCH**
10. **LCD Display**
11. **WAKE TO**
12. **SLEEP**
13. **AUX**
14. **TIME SET**
15. **POWER OFF**
16. **SNOOZE/DIMMER**



17. **Speaker Ports**
18. **AC Adapter Jack**
19. **LINE-OUT Jack**
20. **AM Loop Antenna Socket**
21. **Battery Compartment**
22. **LINE-IN Jack**
23. **FM Antenna Wire**

GETTING STARTED

Location of Controls on the Remote Control



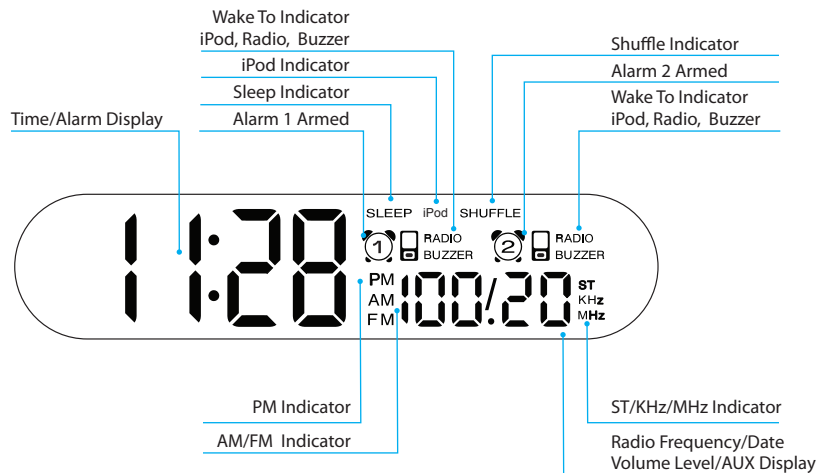
24. **POWER ON/OFF**
Turns i177 on/off or switches off alarm when alarm is sounding.
25. **BAND / RADIO**
Chooses radio function.
26. **SNOOZE / DIMMER**
Activates snooze mode when the alarm sounds. It also adjusts the strength of the LCD backlight.
27. **◀◀ / DOWN**
Skips to the previous track when iPod is playing, or scans currently playing track toward the beginning by pressing and holding. In the radio mode, it tunes the radio stations by pressing and holding.
28. **VOLUME -**
Decreases the volume level.
29. **AUX**
Enables the AUX function.
30. **PLAY / PAUSE**
Selects iPod and plays a track. In the play mode, it is used to pause the playback.
31. **▶▶ / UP**
Skips to the next track when iPod is playing, or scans currently playing track toward the end by pressing and holding. In the radio mode, it tunes the radio stations by pressing and holding.
32. **VOLUME +**
Increases the volume level.

Note: The included remote control commands all of the basic functions on the i177. Aim the remote control toward the bottom right corner of the main unit for the best results. Please note that the provided remote control cannot control iPod shuffle, the first generation iPod, or the second generation of iPod.

To install a new battery, please refer to the section "**Remote Control - First Time Use and Replacing of the Battery**".

GETTING STARTED

Location of Indications on the LCD Screen



GETTING STARTED

Setting the Clock Time

1. To set the time, first locate the **TIME SET** button. Press and hold the **TIME SET** button down until the display begins to flash. Turn the **SEARCH** wheel to select 24HR or 12HR. Then press **TIME SET** button to confirm. Rotate the **SEARCH** wheel until the desired time is displayed. Remember to choose the correct AM or PM setting.
Note: An icon to the right of the display indicates PM, but there is no AM indicator.
2. To secure the time setting, press the **TIME SET** button again to confirm.
3. To set the correct year, you may either rotate the **SEARCH** wheel until the present year is displayed or press the **TIME SET** button initially to accept the current setting. Press the **TIME SET** button again to secure year setting.
4. Once the first three steps are complete, the date display will be flashing in the lower right corner of the display. Press the **TIME SET** button to accept the current setting or turn the **SEARCH** wheel until the current date is displayed. Press the **TIME SET** button to secure date setting.

Setting the Alarm Time

This unit supports two alarm settings for dual alarm feature.

1. To set the Alarm, press and hold the **ALARM 1** or the **ALARM 2** button until the display begins to flash. Rotate the **SEARCH** wheel until the desired alarm time is displayed.
Note: Remember to choose the correct AM or PM setting, an icon to the right of the display indicates PM, but there is no AM indicator.
2. Press the **WAKE TO** button and select the option for desired alarm sound source: iPod, radio or buzzer.
3. Press the **ALARM 1** or **ALARM 2** button to pre-set the volume level when the Alarm(s) is (are) activated. Use the **VOLUME** wheel to adjust the volume level from 1 to 40. When the Alarm(s) is (are) activated, the volume will gradually rise from low to the pre-set setting.
4. Press the **ALARM 1** or **ALARM 2** buttons again to exit the alarm setting mode.

Notes:

- With the Alarm set, the i177 is now activated to wake you up. To ensure this setting, check to see if the alarm and wake icons appear on the display.
- Take notice of the adjusted volume level and make sure it is set at an appropriate level for waking up.

OPERATIONAL INSTRUCTIONS

IMPORTANT

1. Occasionally, files on iPod can become corrupted. This may cause an erratic behavior with your iLuv products. Apple recommends that you visit their website www.apple.com to obtain instructions on resetting or restoring your iPod to factory settings.
2. It is imperative that you use the correct dock adapter for your iPod and that the dock adapter fits appropriately into the built-in universal dock. Ignoring these rules can cause severe damage to your iPod. Please refer to the section "Installing the Dock Adapter" to properly install the dock adapter before operating the i177 with your iPod.

Outputting the Audio Signal to an External Amplifier or Recording Device

The i177 can output the audio signal to an external amplifier or recording device. To use this function, please follow the instructions below:

1. Connect the 3.5mm plug into the **LINE-out** jack on the rear of the i177. Connect the other end plug to the audio input jacks of the external amplifier or recording device.
2. Turn on the i177 and the external amplifier or recording device.
3. Place your iPod in the built-in universal dock, and change the mode to iPod.

Note: The line output is not affected by the volume setting on the i177. Please use the volume control of the external device to increase or decrease the volume level. But also beware that the audio signal of the i177 from its LINE-OUT jack will be muted when the volume level is set to "0".

OPERATIONAL INSTRUCTIONS

Listening to Your Favorite Songs on Your iPod

1. To listen to music, make sure that your iPod is playing and inserted into the built-in universal dock correctly. It will then automatically turn ON and music will begin to play.
NOTE: If the sound seems inaudible, the i177 may not be detecting that your iPod is in the play mode. If this happens, press the **PLAY/PAUSE** button on the i177 or the **PLAY/PAUSE** button on the Remote Control twice for music play to begin.
2. To play music when your iPod is already in the dock and in the standby mode, press the **PLAY/PAUSE** button on the i177 or the **PLAY/PAUSE** button on the Remote Control. When your iPod is in the play mode, an **iPod icon** will appear on the LCD screen of the i177.
3. To pause music, press the **PLAY/PAUSE** button during the play mode. To resume playback, press it again.
4. To adjust the volume, either rotate the **VOLUME** wheel on the i177, or use the **VOLUME+** and **VOLUME-** buttons on the remote control.
5. To go to the Next or Previous track, use the **◀◀** or **▶▶** button on the remote control. To search the current track using high speed forward or rewind, press and hold the **◀◀** or **▶▶** buttons while track is playing.
6. To power the unit off, press the **POWER OFF** button on the i177 (or on the remote control). If your iPod is left in the built-in universal dock, it will continue to charge.
7. This unit may not operate while in the pause mode. Press the **PLAY/PAUSE** button on the i177 or on your iPod to initiate the play mode.
8. To play your 2nd generation iPod shuffle, press the **iPod/shuffle** button on unit to select the shuffle play mode, the "SHUFFLE" icon will display on LCD. Insert your shuffle to the included shuffle connector adaptor and then insert shuffle connector adaptor to the 3.5mm shuffle connector on unit. Turn on the shuffle and press the **PLAY/PAUSE** button of shuffle to start play, adjust both volume controls on your shuffle and i177 for desired sound level. Because all control buttons on unit and remote control are disabled for shuffle, you need to operate shuffle itself to control playback.

Charging Your iPod

Your iPod will always be **CHARGING**, until reaching the **FULL CHARGE** mode while it is in the built-in universal dock. Please note that this unit cannot charge your iPod without 30-pin connector.

To charge your 2nd generation iPod shuffle, set the switch on shuffle connector adaptor to **CHARGE** position. The shuffle cannot play while charging. Set the switch to **AUDIO** position for shuffle playback.

OPERATIONAL INSTRUCTIONS

Listening to Other Audio Devices

You can still listen to the first and second generations of iPod, or any other audio player that is not an iPod, with the i177 by simply using the **LINE-IN** jack, located on the rear of the i177. Please ensure that before using the **LINE-IN** jack there is no iPod in the built-in universal dock.

1. Insert the plug of the audio patch cord (not included) into the **HEADPHONE** or **LINE-OUT** jack on your audio device, and then insert the other end of the patch cord into the **LINE-IN** jack, located on the rear of the i177.
2. To get into the AUX mode, press the **AUX** button on the i177, or the **AUX** on the Remote Control, until the **AUX** icon appears.
3. It is now safe to turn **ON** your device and enjoy the music.
4. Use the **VOLUME** wheel on the i177, or the **Volume +** and **Volume -** buttons on the Remote Control to adjust the decibel level. You may also need to adjust the audio device volume.
5. To power **OFF** the unit, press the **POWER OFF** button on the i177 (or on the Remote Control). Remember to power off your audio device as well.

Listening to Your Favorite Radio Station

For the best FM radio clarity, fully extend the pig-tail wire antenna, located on the rear of the i177. It is important not to alter, obstruct or attach other antennas to this wire antenna. To achieve the best AM reception, a distance of 30 cm between the AM antenna, the unit and iPod is recommended. Rotate the AM loop antenna to have the better reception.

1. To turn the radio on, press the **BAND/RADIO** button on the i177 (or on the Remote Control). Once on, the radio frequency will appear in the lower right corner of the display.
2. To select the AM or FM, press the **BAND/RADIO** button again on the i177 (or on the Remote Control).
3. To tune in a desired station, rotate the **SEARCH** wheel on the i177 (or use the **◀◀** or **▶▶** buttons on the Remote Control).
4. To scan to the next clear station, press and hold the **◀◀** or **▶▶** buttons on the Remote Control for 4 seconds. Press again to enter into the seek mode.
5. To adjust the volume, rotate the **VOLUME** wheel on the i177 (or the **VOLUME+** and **VOLUME-** buttons on the remote control).
6. To power **OFF**, press the **POWER OFF** button (or the **POWER ON/OFF** button on the Remote Control).

OPERATIONAL INSTRUCTIONS

Using the Alarm Function

1. To preview the alarm time, press the **ALARM 1** or **ALARM 2** buttons once.
2. To deactivate the alarm, press the **ALARM 1** or **ALARM 2** buttons once more.
3. To activate the alarm, press the **ALARM 1** or **ALARM 2** buttons again.
4. To snooze, press the **SNOOZE / DIMMER** button on the i177 (or on Remote Control), following the sounding of the alarm. The alarm will then shut off and will sound again in approximately 9 minutes. You will have the opportunity to repeat this cycle many times during a 1 hour allotted alarm cycle.
5. To turn the alarm off, press the **POWER OFF** button on the i177 (or the **POWER ON/OFF** button on the Remote Control). If all settings remain the same, the alarm will turn on the following day at the same time. When the alarm is not turned off after it sounds, it will then play for approximately 60 minutes and turn off automatically. This cycle will repeat every 24 hours unless the settings are changed.
6. To prevent the alarm from coming on daily, press the **ALARM 1** or **ALARM 2** buttons and set to off. Both the Alarm Icon and Wake-to icon will disappear to signal that the alarm is deactivated.

Note:

- Set your iPod to the repeat mode if you've selected Wake To iPod, and your iPod has less than one hour of songs.
- If you have selected the Wake To iPod setting, yet no iPod is present or there is no music on the iPod at the alarm time, the i177 will automatically switch to the buzzer mode. If only an iPod shuffle is docked, the Wake to iPod setting will likewise switch to the buzzer mode.
- In order to wake to your iPod, it must be appropriately placed in the built-in universal dock and powered off.
- In the event of a power outage or if AC power is disconnected, when the i177 is powered by the Backup Battery, time and date will not be displayed, however time and date settings will be temporarily saved, but the alarm will not sound.

Adjusting the Brightness of LCD Screen

To adjust the brightness of the LCD screen, press the **SNOOZE / DIMMER** button during normal operation. Each press will change the brightness level of the LCD screen.

OPERATIONAL INSTRUCTIONS

Setting the Sleep Time

1. To enter into the sleep mode, press the **SLEEP** button while the i177 is off or while listening to your iPod or the radio. The unit will automatically turn off after the selected time. The sleep mode also has a feature called the "Gentle Sleep", which gradually decreases the volume.
2. To adjust the sleep time, press the **SLEEP** button again and choose from 15 to 120 minutes. Pressing the **SLEEP** button while the sleep function is set to 15 minutes will turn the unit off.
3. To view the sleep time, wait until the display returns to the current time and press the **SLEEP** button once. It will display the sleep time remaining. Press again to change the sleep time to the next lowest increment.
4. To stop listening at any time, press the **POWER OFF** button or the **POWER ON/OFF** button on the Remote Control.

Note: The i177 has the independent volume settings for the sleep mode with no effect on the alarm volume. The sleep volume will remain at the same level until the setting is changed.

Maintenance

- Place the unit on a level surface away from sources of direct sunlight or excessive heat.
- Protect your furniture. When placing the unit on a natural wood and lacquered finish, a cloth or other protective material should be placed between it and the furniture.
- Clean the unit with a soft cloth moistened only with mild soap and water. Stronger cleaning agents, such as Benzene, thinner or similar materials can damage the surface of the unit.

Troubleshooting

- **The stereo speaker system (i177) does not turn on.**
 - The AC adapter may not be connected properly. Check the connection.
 - The wall outlet may not function. Try another outlet.
- **Your iPod does not fit into the built-in universal dock.**
 - The installed dock adapter is not the correct one. Check whether a correct dock adapter is installed. In case your iPod was released later than September 2006, in doubt use the dock adapter supplied by Apple with your iPod.
 - There might be some obstructions on the dock. Check whether there are any obstructions on the connector and on the dock. If everything is secured, place your iPod back into the dock.
- **It does not recognize your iPod when docked.**
 - Your iPod may not be properly docked. Take your iPod out of the dock, and remove any obstructions on the connector from the dock and on your iPod. Place your iPod back into the dock. Remove any protection covers or sleeves that might obstruct a correct fitting.
 - Your iPod is frozen or locked up. Check whether your iPod operates correctly before placing it back into the dock. Please refer to the owner's instruction manual of your iPod.
 - The software of your iPod is outdated. Upgrade the software on your iPod. For the details on how to upgrade the software on your iPod, please visit the Apple website: <http://www.apple.com>.
 - You are using the first or second generation iPod. The i177 does not recognize first or second generation iPod. Use the line-in jack for the first or second generation of iPod.

Troubleshooting – Continued

- **Your iPod is not charged even though it is in the dock.**
 - Your iPod might not be properly docked. Take your iPod out of the dock, and remove any obstructions on the connector from the dock and on your iPod. Place your iPod back into the dock.
 - Your iPod is frozen or locked up. Check whether your iPod operates correctly before placing it back into the dock. Please refer to the owner's instruction manual of your iPod.
 - You are using the first, second, or third generation of iPod. First, second, and third generation of iPod is only charged with the FireWire connection. The FireWire connection is not supported by the i177.
- **There is no sound on the external speakers when connected by the audio patch cable (not included).**
 - The connected speakers lack a power source. Check if the external speakers are powered properly.
 - You are using passive speakers, which have no built-in amplifier. The signal from LINE IN/OUT jacks needs to be amplified. Use the active speakers, which have a built-in amplifier.
- **It does not find any AM radio stations, or there is a lot of static on a radio station.**
 - The AM loop antenna is not connected to the i177. Connect the AM loop antenna to the jack on the back of the i177.
 - The i177 is installed where the reception is bad. Move the AM loop antenna around keeping it away from the main unit for the best reception.
- **When playing music, the sound gets distorted.**
 - The volume level on the connected device or the i177 is set too high. Decrease the volume until the distortion has disappeared.
 - The source sound is distorted. If the original sound source (MP3) on your iPod is poor quality, the distortion and noises are easily noticed with high-power speakers. Try a different audio source like a music CD to test.
- **The remote control does not operate properly.**
 - The battery separation slip (prior to first time use) is still in place, remove it
 - The installed battery is weak. Replace with a new battery.
 - It is not aimed to the i177 or too far away from it. Move within 300 cm of the unit and point the remote control toward the i177.

WARNING

- TO PREVENT FIRE OR SHOCK HAZARD. DO NOT EXPOSE THIS APPLIANCE TO RAIN OR MOISTURE.
- THIS APPLIANCE SHALL NOT BE EXPOSED TO DRIPPING OR SPLASHING WATER AND THAT NO OBJECT FILLED WITH LIQUIDS SUCH AS VASES SHALL BE PLACED ON APPARATUS.



The lightning flash with an arrowhead symbol within an equilateral triangle is intended to alert the user of the presence of un-insulated “dangerous voltage” within the product’s enclosure that may be of sufficient magnitude to constitute a risk of electric shock to people.

CAUTION

RISK OF ELECTRIC SHOCK DO NOT OPEN

WARNING: To reduce the risk of electric shock, do not remove cover (or back). No user-servic-able parts inside. Refer servicing to qualified service personnel.



The exclamation point within an equilateral triangle is intended to alert the user of the presence of important operating and maintenance (servicing) instruction in the literature accompanying the appliance.

IMPORTANT SAFETY INSTRUCTIONS

1. Read these instructions
2. Keep these instructions
3. Heed all warnings
4. Follow all instructions
5. Do not use this apparatus near water
6. Clean only with dry cloth
7. Do not block any ventilation openings. Install in accordance with the manufacturer’s instructions
8. Do not install near any heat sources such as radiators, heat registers, stoves, or other apparatus (including amplifiers) that produce heat
9. Do not defeat the safety purpose of the polarized or grounding-type plug. A polarized plug has two blades with one wider than the other. A grounding type plug has two blades and a third grounding prong. The wide blade or the third prong are provided for your safety. If the

IMPORTANT SAFETY INSTRUCTIONS - continued

- provided plug does not fit into your outlet, consult an electrician for replacement of the obsolete outlet.
10. Protect the power cord from being walked on or pinched particularly at plugs, convenience receptacles, and the point where they exit from the apparatus.
 11. Only use attachments/accessories specified by the manufacturer.
 12. Use only with the cart, stand, tripod, bracket, or table specified by the manufacturer, or sold with the apparatus. When a cart is used, use caution when moving the cart/apparatus combination to avoid injury from tip-over.
 13. Unplug this apparatus during lightning storms or when unused for long periods of time.
 14. Refer all servicing to qualified service personnel. Servicing is required when the apparatus has been damaged in any way, such as power-supply cord or plug is damaged, liquid has been spilled or objects have fallen into the apparatus, the apparatus has been exposed to rain or moisture, does not operate normally, or has been dropped.
 15. Grounding or Polarization – This product may be equipped with a polarized alternating-current line plug (a plug having one blade wider than the other). This plug will fit into the power outlet only one way. This is a safety feature. If you are unable to insert the plug fully into the outlet, try reversing the plug. If the plug should still fail to fit, contact your electrician to replace your obsolete outlet. Do not defeat the safety purpose of the polarized plug.
Alternate Warnings – This product is equipped with a three-wire grounding-type plug, a plug having a third (grounding) pin. This plug will only fit into a grounding-type power outlet. This is a safety feature. If you are unable to insert the plug into the outlet, contact your electrician to replace your obsolete outlet. Do not defeat the safety purpose of the grounding-type plug.
 16. Ventilation – Slots and openings in the cabinet are provided for ventilation and to ensure reliable operation of the product and to protect it from overheating, and these openings must not be blocked or covered. The openings should never be blocked by placing the product on a bed, sofa, rug, or other similar surface. This product should not be placed in a built-in installation such as a bookcase or rack unless proper ventilation is provided or the manufacturer’s instructions have been adhered to.
 17. The MAINS plug or an appliance coupler is used as the disconnect device, the disconnect device shall remain readily operable.



USER SAFETY GUIDE

IMPORTANT SAFETY INSTRUCTIONS - continued



CLEANING

Always disconnect unit from power supply before attempting to clean it. Use soft clothmoistened with soapy water, and wipe gently. Do not use solvents or abrasive materials.

LASER SAFETY

This unit uses laser technology. Only a qualified professional should remove the cover or attempt to service this device, due to possible eye injury.



CAUTION – CLASS 1 LASER PRODUCT

Use of controls adjustments and/or performance of procedure other than specified herein may result in hazardous radiation exposure.



DANGER

Invisible laser radiation when open and interlock failed or defeated. Avoid direct exposure to beam. CAUTION: HAZAROUS LASER RADIATION WHEN OPEN AND INTERLOCK DEFEATED.



YOU CAN HELP TO PROTECT THE ENVIRONMENT!

Please remember to respect the local regulations: Hand in the non-working electrical equipment to an appropriate waste disposal center.

FOR USED BATTERIES

Disposed of the used batteries properly. Please follow the local regulations for the battery disposal.

USER SAFETY GUIDE

FCC NOTICE TO A USER IN USA

This equipment has been tested and found to comply with the limits for a Class B digital device, pursuant to Part 15 of the FCC Rules. These limits are designed to provide reasonable protection against harmful interference in a residential installation. This equipment generates, uses, and can radiate radio frequency energy and, if not installed and used in accordance with the instructions, may cause harmful interference to radio communications. However, there is no guarantee that interference will not occur in a particular installation. If this equipment does cause harmful interference to radio or television reception, which can be determined by turning the equipment off and on, the user is encouraged to try to correct the interference by one or more of the following measures:

1. Reorient or relocate the receiving antenna.
2. Increase the separation between the equipment and receiver.
3. Connect the equipment into an outlet on a circuit different from that to which the receiver is connected.
4. Consult the dealer or an experienced radio/TV technician for help.

FCC RULES

This device complies with Part 15 of the FCC Rules. Operation is subject to the condition that this device does not cause harmful interference.

Note: Do not make changes or modify the device in any way. Changes or modifications not expressly approved by the party responsible for compliance could void the user's authority to operate the equipment.

USER SAFETY GUIDE

FCC NOTICE TO A USER IN USA - continued

IMPORTANT NOTES ON HEARING

Your hearing is very important to you and to us, so please take care when operating this equipment. We strongly recommend you to follow the guideline below in order to prevent possible damage or loss of hearing.

If you continuously listen to the loud sounds, your hearing will adapt to continuous loud sounds and will give you the impression that the volume has been reduced. What seems normal to you may in fact be harmful. To guard against this BEFORE YOUR HEARING ADAPTS, set the volume at a low level and slowly increase the volume level until you can hear comfortably and clearly without distortion. Damage to your hearing is accumulative and is irreversible. Any ringing or discomfort in the ears indicates that the volume is too loud. Once you have established a comfortable listening level, DO NOT INCREASE THE VOLUME LEVEL FURTHER.

In the use of headphones, please take more attention. Hearing experts say that listening to a loud music can damage your hearing, especially when listening to music with headphones.

USER SAFETY GUIDE

IC NOTICE TO A USER IN CANADA

Since digital circuitry may cause interference to other radio or television tuners nearby, switch this unit off when not in use or move it away from the affected radio/television tuner.

NOTE: This digital apparatus does not exceed the Class B limits for radio noise emissions from digital apparatus as set out in the Radio Interference Regulations of Industry Canada. These limits are designed to provide reasonable protection against harmful interference in a residential installation. This equipment generates, uses and can radiate radio frequency energy and, if not installed and used in accordance with the instructions, may cause harmful interference to radio communications. However, there is no guarantee that interference will not occur in a particular installation. If this equipment does cause harmful interference to radio or television operation (which can be determined by turning the equipment off), the user is encouraged to try to correct the interference by one or more of the following measures:

- Reorient or relocate the receiving antenna.
- Increase the separation between the equipment and receiver.
- Connect the equipment into an outlet on a circuit different from that to which the receiver is connected.
- Consult the dealer or an experienced radio / TV technician for help.

WARNING!

- The apparatus shall not be exposed to dripping or splashing and that no objects filled with liquids, such as vases, shall be placed on apparatus.
- Mains plug is used as the disconnect device. It shall remain readily operable and should not be obstructed during intended use. To be completely disconnected, the apparatus from supply mains, the mains plug of the apparatus shall be disconnected from the mains socket outlet completely.

USER SAFETY GUIDE

ADDITIONAL IMPORTANT INSTRUCTIONS

- Place the apparatus with some distances from the nearby objects or walls for sufficient ventilations. The ventilation should not be impeded by covering the ventilation openings with items such as newspapers, table-cloths, curtains, etc.
- No naked flame sources such as lighted candles should be placed on the apparatus.
- Dispose of used batteries properly. Follow the local regulation for the battery disposal.
- Use this apparatus in the moderate climates. It is recommended not to use this apparatus such in a lighting storm.

SPECIFICATIONS

General

- **Power Requirement**
 - Main Unit: DC 15V, 1100mA Adapter (Center Positive)
 - Clock Backup: Two 1.5V "AA" size batteries (not included)
 - Remote Control: One 3V "CR2025" size lithium battery (included)
- **Speakers:** 4 Ohms (each)
- **Output Power:** 3W + 3W (RMS)

Radio

- **Receiving Bands:** AM (MW) and FM (UKW)
- **Frequency Ranges:** AM 520 - 1710kHz (522 - 1620 kHz –MW) / FM 87.5 - 108MHz

* Specifications and features are subject to change without notice.

MEMO

iLuv

THANK YOU FOR YOUR PURCHASE
Visit our website at www.i-Luv.com

©2008 www.i-Luv.com

iLuv is a trademark of JWIN Electronics Corp., and all rights for use of this trademark are reserved and protected by law. All logos and brands are the property of their respective owners. Features and specifications are subject to change without prior notification. iPod and iPhone are trademarks of Apple Inc., registered in the U.S and other countries. iPod and iPhone are not included with this unit. The illustrated product and specifications may differ slightly from that supplied. Designed in New York, USA / Made in China

© 2008 JWIN Electronics Corp. All rights reserved. No portion of this printed material or product enclosed herewith including design, shape or graphics, may be reproduced or transmitted in any form without the expressed written consent of JWIN Electronics Corp. by any means, electronic or mechanical, including photocopying, recording or use of an information storage and retrieval system. Any unauthorized distribution or reproduction of this printed material or product, or any portion thereof, will be prosecuted to the fullest possible extent of the law.

Printed in China

Download from Www.Somanuals.com. All Manuals Search And Download.

Free Manuals Download Website

<http://myh66.com>

<http://usermanuals.us>

<http://www.somanuals.com>

<http://www.4manuals.cc>

<http://www.manual-lib.com>

<http://www.404manual.com>

<http://www.luxmanual.com>

<http://aubethermostatmanual.com>

Golf course search by state

<http://golfingnear.com>

Email search by domain

<http://emailbydomain.com>

Auto manuals search

<http://auto.somanuals.com>

TV manuals search

<http://tv.somanuals.com>