

NOTE:  
Please read all instructions  
carefully before using this  
product

Table of Contents

Safety Notice

Hardware Identifier

Assembly Instruction

Parts List

Warranty

Ordering Parts

Model  
CB-181

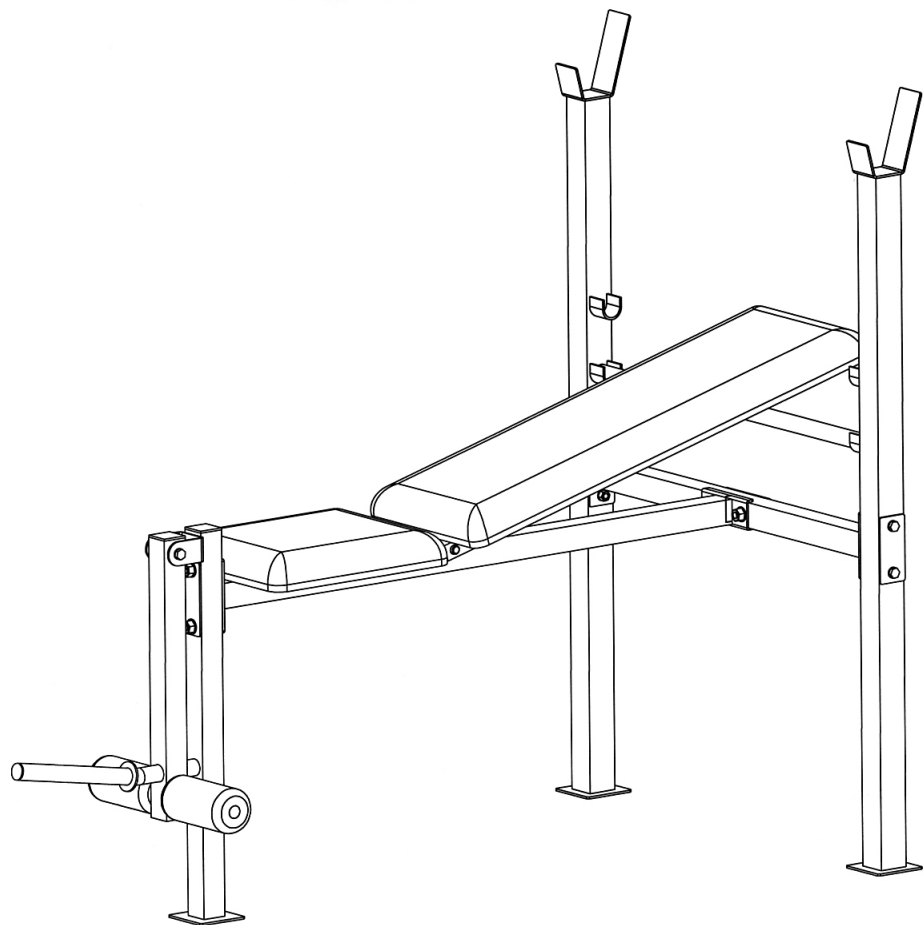
Retain This  
Manual for  
Reference

08-12-09

OWNER'S  
MANUAL

# IMPEX

## COMPETITOR WEIGHT BENCH CB-181



**IMPEX<sup>®</sup> INC.**

14777 DON JULIAN RD., CITY OF INDUSTRY, CA 91746

Tel: (800) 999-8899 Fax: (626) 961-9966

[www.impex-fitness.com](http://www.impex-fitness.com)

[info@impex-fitness.com](mailto:info@impex-fitness.com)

# TABLE OF CONTENTS

BEFORE YOU BEGIN.....	1
IMPORTANT SAFETY NOTICES.....	2
HARDWARE PACK.....	4
ASSEMBLY INSTRUCTIONS.....	5
EXPLODED DIAGRAM.....	9
PARTS LIST.....	10
WARRANTY.....	11
ORDERING PARTS.....	11

---

## BEFORE YOU BEGIN

Thank you for selecting the COMPETITOR CB-181 Weight Bench by IMPEX<sup>®</sup> INC. For your safety and benefit, read this manual carefully before using the machine. As a manufacturer, we are committed to provide you complete customer satisfaction. If you have any questions, or find there are missing or damaged parts, we guarantee you complete satisfaction through direct assistance from our factory. To avoid unnecessary delays, *please call our TOLL-FREE customer service number.* Our Customer Service Agents will provide immediate assistance to you.

**Toll-Free Customer Service Number**

**1-800-999-8899**

**Mon. - Fri. 9 a.m. - 5 p.m. PST**

**[www.impex-fitness.com](http://www.impex-fitness.com)**

**[info@impex-fitness.com](mailto:info@impex-fitness.com)**

# **IMPORTANT SAFETY NOTICE**

## **PRECAUTIONS**

This exercise machine is built for optimum safety. However, certain precautions apply whenever you operate a piece of exercise equipment. Be sure to read the entire manual before you assemble or operate your machine. In particular, note the following safety precautions:

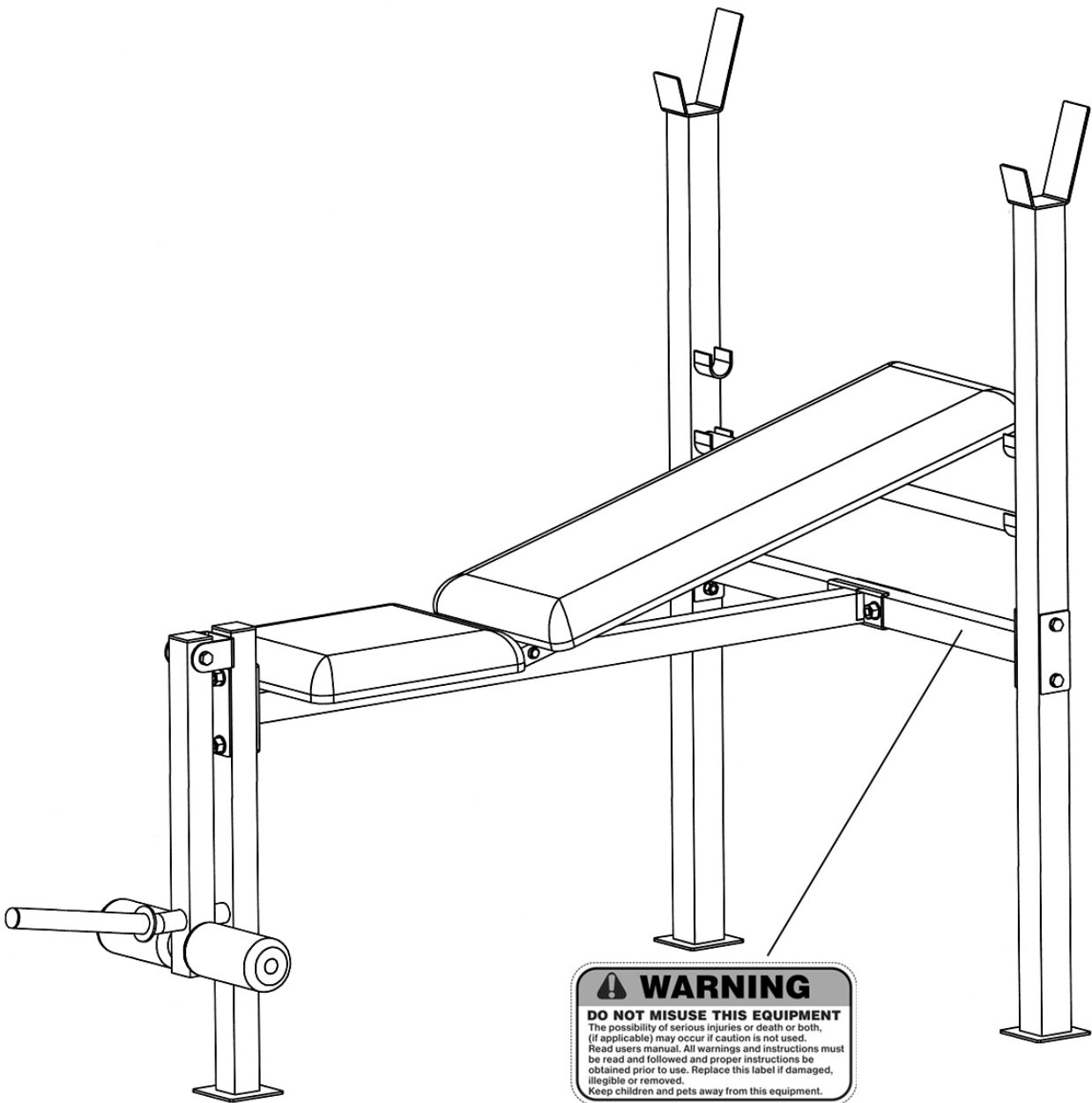
1. Keep children and pets away from the machine at all times. **DO NOT** leave children unattended in the same room with the machine.
2. Only one person at a time should use the machine.
3. If the user experiences dizziness, nausea, chest pain, or any other abnormal symptoms, **STOP** the workout at once. **CONSULT A PHYSICIAN IMMEDIATELY.**
4. Position the machine on a clear, leveled surface. **DO NOT** use the machine near water or outdoors.
5. Keep hands and feet away from all moving parts.
6. Always wear appropriate workout clothing when exercising. **DO NOT** wear robes or other clothing that could become caught in the machine. Running or aerobic shoes are also required when using the machine.
7. Use the machine only for its intended use as described in this manual. **DO NOT** use attachments not recommended by the manufacturer.
8. Do not place any sharp object around the machine.
9. Disabled person should not use the machine without a qualified person or physician in attendance.
10. Before using the machine to exercise, always do stretching exercises to properly warm up.
11. Never operate the machine if the machine is not functioning properly.
12. A spotter is recommended during exercise.

## **CARE AND MAINTENANCE**

1. Inspect and tighten all parts before using the machine.
2. The machine can be cleaned using a damp cloth and mild non-abrasive detergent. **DO NOT** use solvents.
3. Maximum weight on Upright Beams: 100 lbs.
4. Maximum User weight capacity: 200 lbs.
5. Maximum weight on Leg Developer: 100 lbs.
6. Maximum weight capacity (including user) : 300 lbs.

**WARNING: BEFORE BEGINNING ANY EXERCISE PROGRAM, CONSULT YOUR PHYSICIAN. THIS IS ESPECIALLY IMPORTANT FOR INDIVIDUALS OVER THE AGE OF 35 OR PERSONS WITH PRE-EXISTING HEALTH PROBLEMS. READ ALL INSTRUCTIONS BEFORE USING ANY FITNESS EQUIPMENT. IMPEX INC. ASSUMES NO RESPONSIBILITY FOR PERSONAL INJURY OR PROPERTY DAMAGE SUSTAINED BY OR THROUGH THE USE OF THIS PRODUCT. SAVE THESE INSTRUCTIONS.**

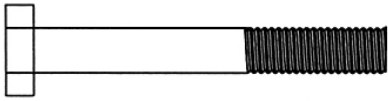
# WARNING LABEL PLACEMENT



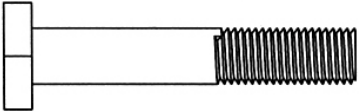
The Warning Label shown here has been placed on the Cross Brace. If the label is missing or illegible, please call customer service at 1-800-999-8899 for replacement. Apply the label in location shown.

# HARDWARE PACK

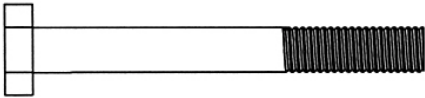
NOTE: The following parts are not drawn to scale. Please use your own ruler or scale to measure the size.



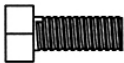
#21 M8 x 2  $\frac{1}{2}$ " Hex Bolt (Qty 4)



#22 M10 x 2  $\frac{1}{4}$ " Hex Bolt (Qty 4)



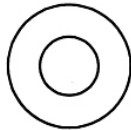
#23 M8 x 2  $\frac{3}{4}$ " Hex Bolt (Qty 1)



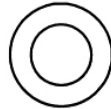
#24 M6 x  $\frac{5}{8}$ " Hex Bolt (Qty 4)



#25 M6 x 1  $\frac{1}{2}$ " Hex Bolt (Qty 4)



#26  $\varnothing$   $\frac{3}{4}$ " Washer  
(Qty 8)



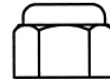
#27  $\varnothing$   $\frac{5}{8}$ " Washer  
(Qty 10)



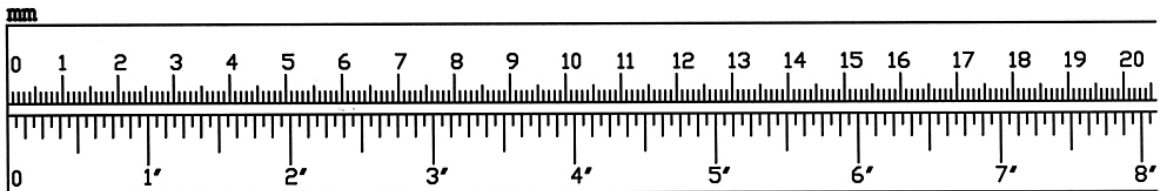
#28  $\varnothing$   $\frac{1}{2}$ " Washer  
(Qty 8)



#29 M8 Aircraft Nut  
(Qty 5)



#30 M10 Aircraft Nut  
(Qty 4)



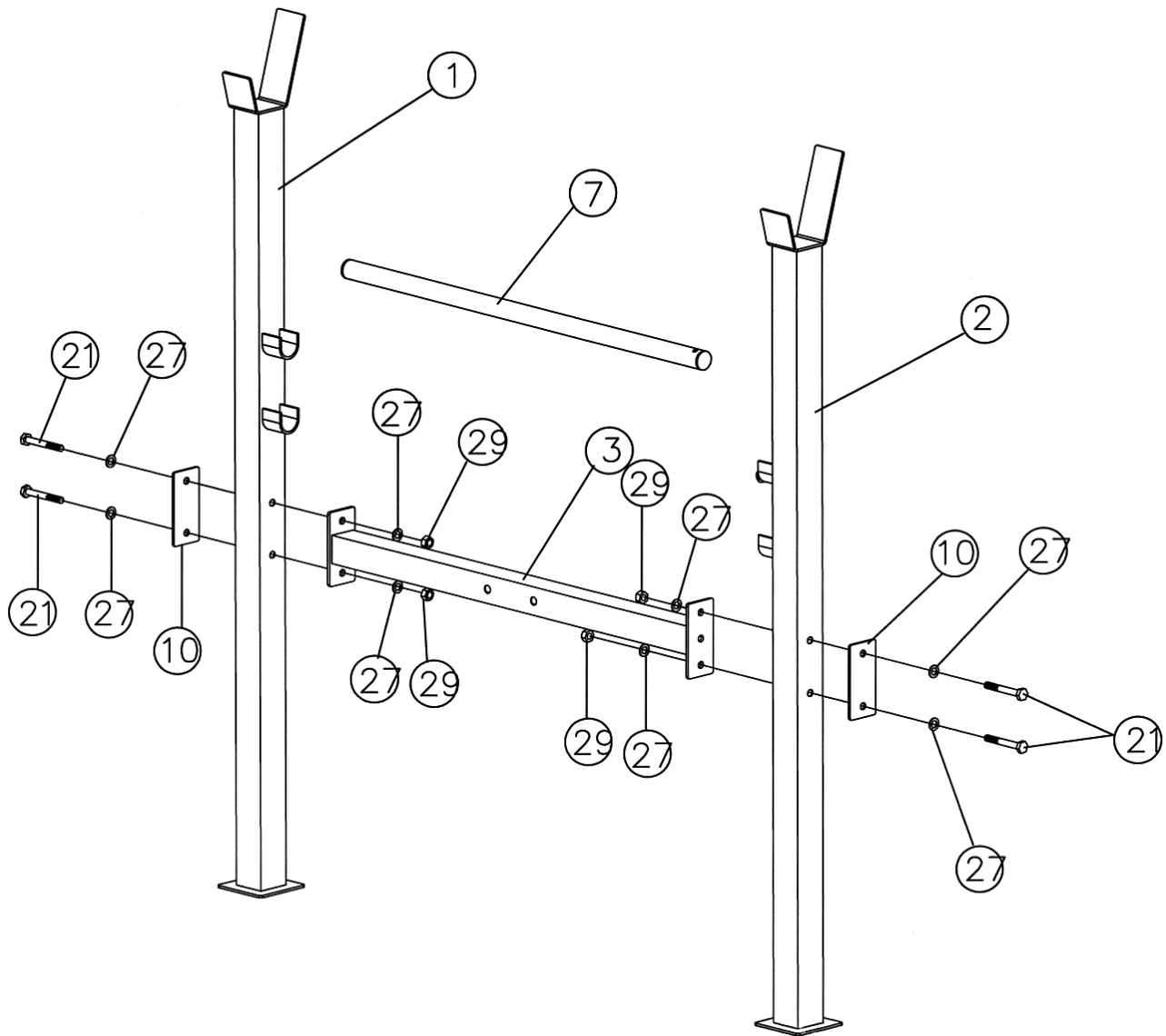
# ASSEMBLY INSTRUCTION

Tools Required for Assembling this Machine: Two Adjustable Wrenches and Allen Wrenches. NOTE: It is strongly recommended that two or more people assemble this machine to avoid possible injury.

## STEP 1 (See Diagram 1)

- A.) Do not tighten Nuts and Bolts until instructed to do so.
- B.) Connect the Right & Left Upright Beam (#1 & #2) by a Cross Brace (#3) in the Mid-span. Secure each end of the Cross Brace with two M8 x 2 1/2" Hex Bolts (#21), one 1 3/4" x 2 3/4" Bracket (#10), four Ø 5/8" Washers (#27), and two M8 Aircraft Nuts (#29).
- C.) Place the Backrest Adjustment Bar (#7) onto the selected on the Upright Beams to obtain the desired backrest incline.

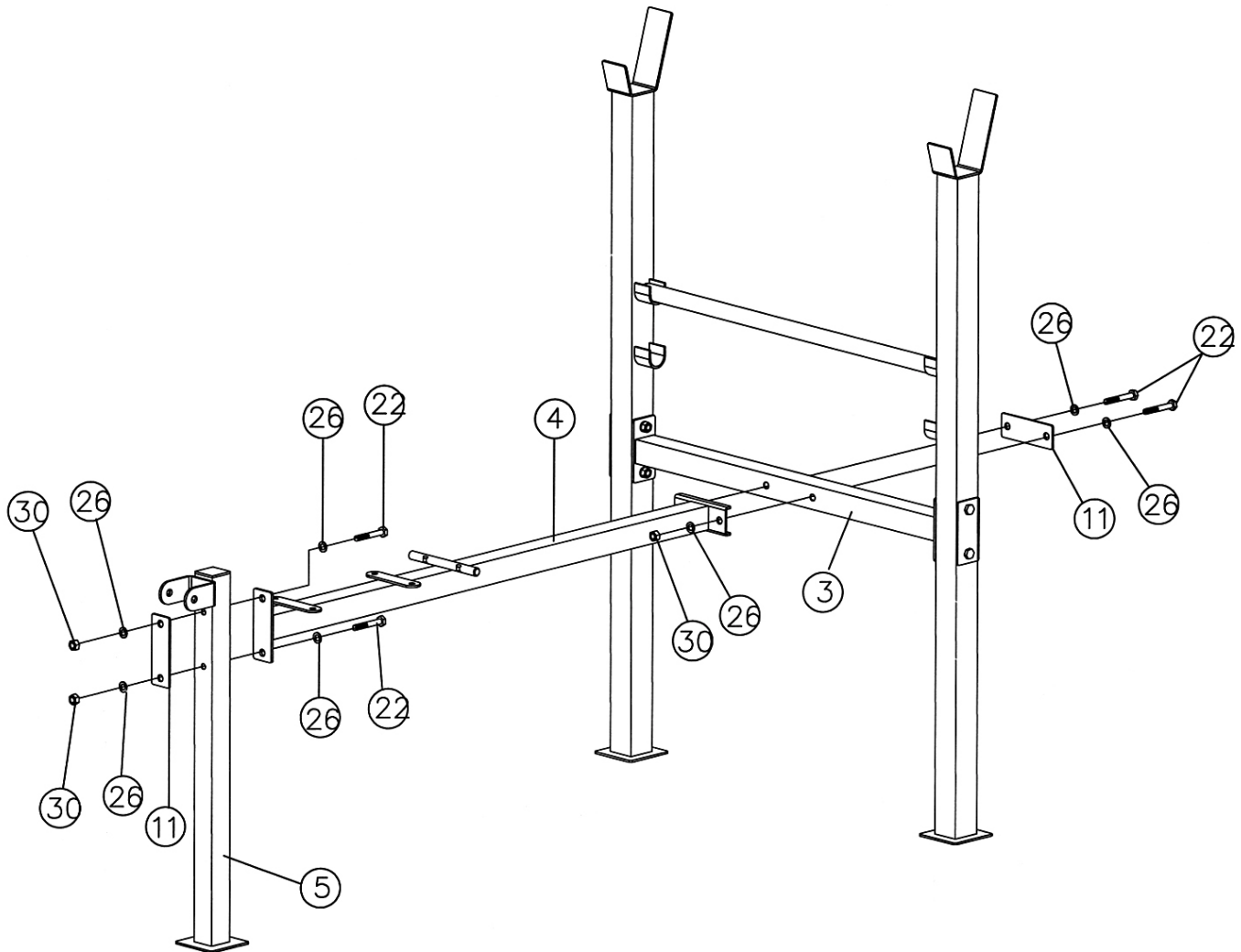
**DIAGRAM 1**



## STEP 2 (See Diagram 2)

- A.) Attach the Main Seat Support (#4) to the Front Post (#5). Secure it with two M10 x 2 ¼" Hex Bolts (#22), one 1 ½" x 4 ½" Bracket (#11), four Ø ¾" Washers (#26), and two M10 Aircraft Nuts (#30).
- B.) Attach the Main Seat Support to the Cross Brace (#3). Secure it with two M10 x 2 ¼" Hex Bolts (#22), one 1 ½" x 4 ½" Bracket (#11), four Ø ¾" Washers (#26), and two M10 Aircraft Nuts (#30).
- C.) **Securely tighten all Nuts and Bolts installed in Step-1 and Step-2.**

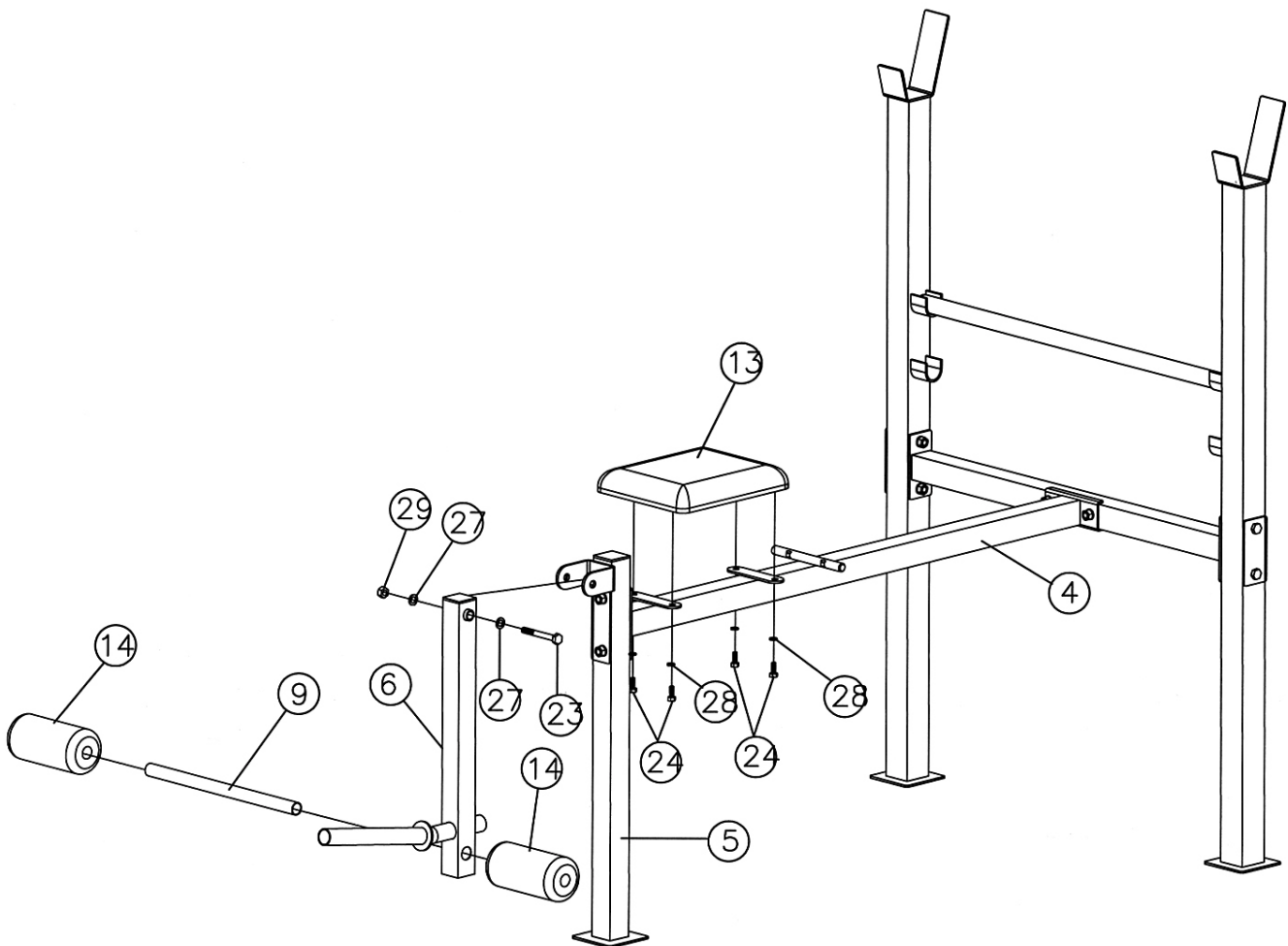
## DIAGRAM 2



### STEP 3 (See Diagram 3)

- A.) Attach the Leg Developer (#6) to the open bracket on the Front Post (#5). Secure it with one M8 x 2 3/4" Hex Bolt (#23), two Ø 5/8" Washers (#27), and one M8 Aircraft Nut (#29). **Do not over tighten the Nut and Bolt. Make sure the Leg Developer can swivel freely.**
- B.) Place the Seat Pad (#13) onto the bracket on the Main Seat Support (#4). Secure it with four M6 x 5/8" Allen Bolts (#24) and four Ø 1/2" Washers (#28).
- C.) Insert the Foam Tube (#9) halfway through the hole on the Leg Developer. Push two Foam Rolls (#14) onto the Tube from both ends.

### DIAGRAM 3

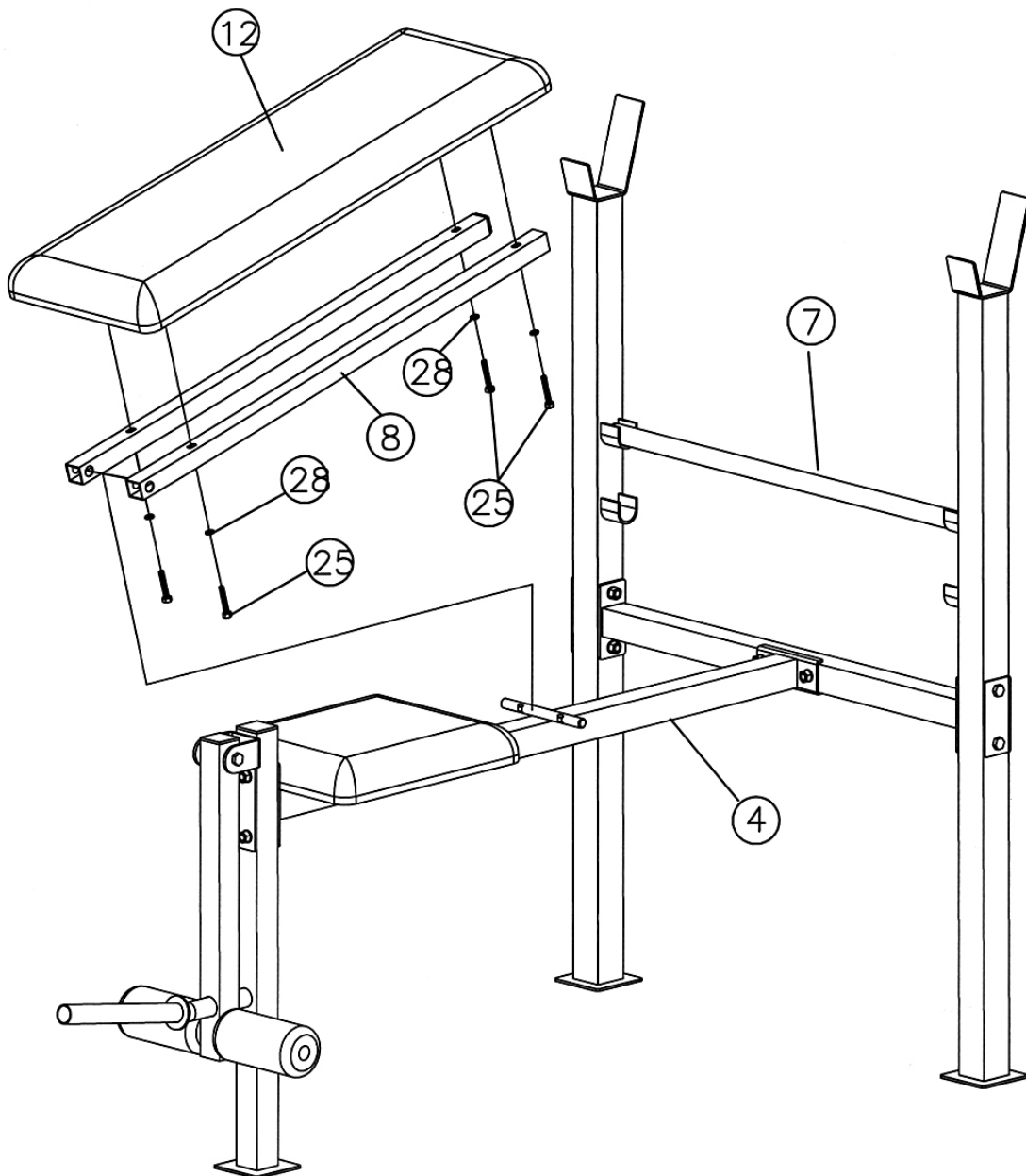


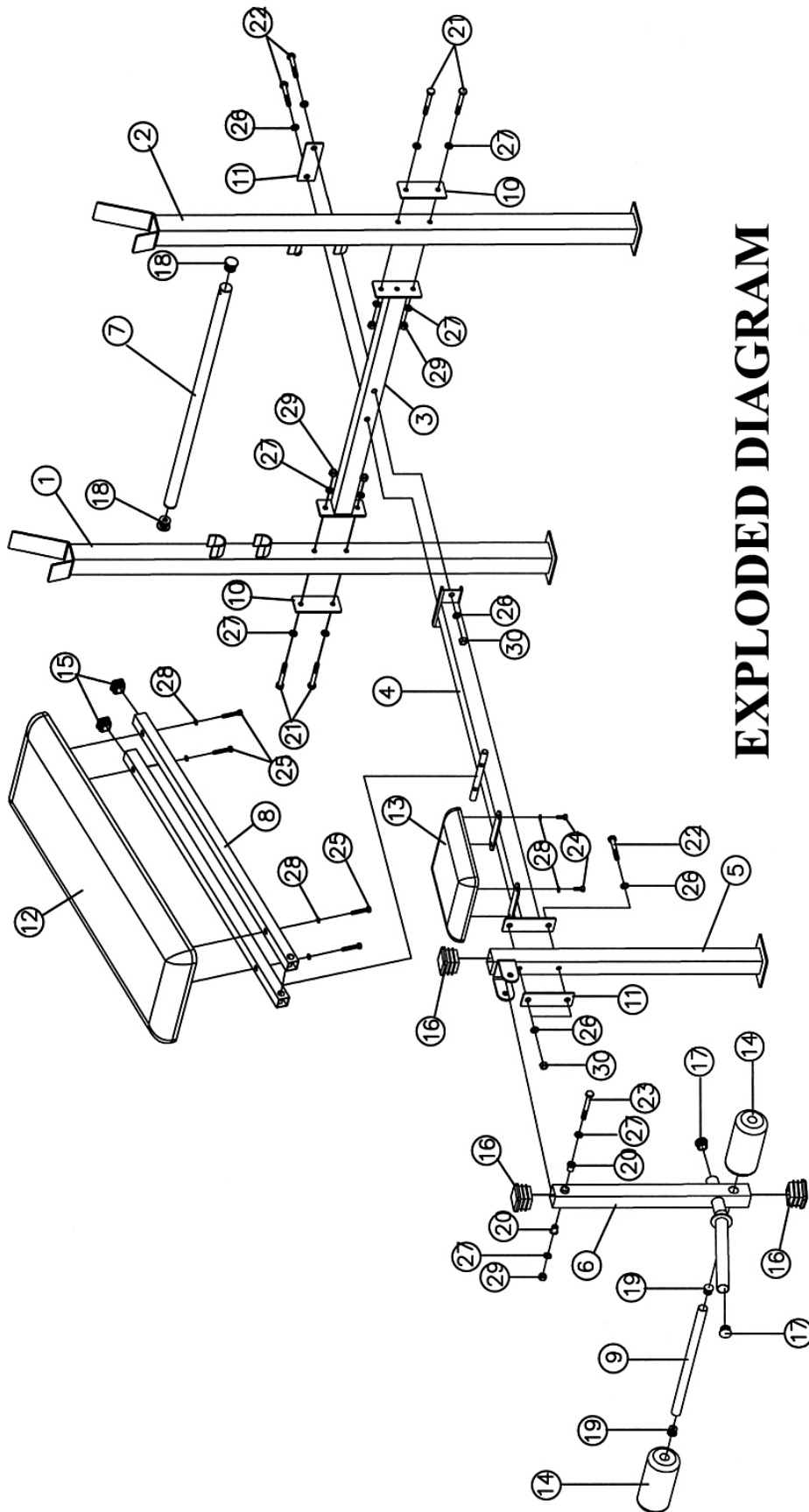


**STEP 4 (See Diagram 4)**

- A.) Attach the bottom side-holes on Backrest Supports (#8) to the pivot on the Main Seat Support (#4). Rest the other end against the Backrest Adjustment Bar (#7).
- B.) Attach the Backrest Board (#12) to the Backrest Support. Secure it with four M6 x 1 ½" Hex Bolts (#25) and four Ø ½" Washers (#28).

**DIAGRAM 4**





# EXPLODED DIAGRAM

## PARTS LIST

KEY NO.	DESCRIPTION	QUANTITY
1	Right Upright Beam	1
2	Left Upright Beam	1
3	Cross Brace	1
4	Main Seat Support	1
5	Front Post	1
6	Leg Developer	1
7	Backrest Adjustment Bar	1
8	Backrest Support	2
9	Foam Tube	1
10	1 3/4" x 2 3/4" Bracket	2
11	1 1/2" x 4 1/2" Bracket	2
12	Backrest Board	1
13	Seat Pad	1
14	Foam Roll	2
15	1" End Cap	2
16	1 1/2" End Cap	3
17	Ø 1" End Cap	2
18	Ø 1" Adjustment Bar End Cap	2
19	Ø 3/4" End Cap	2
20	Leg Developer Bushing	2
21	M8 x 2 1/2" Hex Bolt	4
22	M10 x 2 1/4" Hex Bolt	4
23	M8 x 2 3/4" Hex Bolt	1
24	M6 x 5/8" Hex Bolt	4
25	M6 x 1 1/2" Hex Bolt	4
26	Ø 3/4" Washer	8
27	Ø 5/8" Washer	10
28	Ø 1/2" Washer	8
29	M8 Aircraft Nut	5
30	M10 Aircraft Nut	4

# **IMPEX<sup>®</sup> INC.**

## **LIMITED WARRANTY**

IMPEX Inc. ("IMPEX<sup>®</sup>") warrants this product to be free from defects in workmanship and material, under normal use and service conditions, for a period of two years on the Frame from the date of purchase. This warranty extends only to the original purchaser. IMPEX's obligation under this Warranty is limited to replacing or repairing, at IMPEX's option.

All returns must be pre-authorized by IMPEX. Pre-authorization may be obtained by calling IMPEX Customer Service Department at 1-800-999-8899. All freights for products return to IMPEX must be prepaid by the customer. This warranty does not extend to any product or damage to a product caused by or attributable to freight damage, abuse, misuse, improper or abnormal usage. No other warranty beyond that specifically set forth above is authorized by IMPEX.

IMPEX is not responsible or liable for indirect, special or consequential damages arising out of or in connection with the use or performance of the product or other damages with respect to any economic loss, loss of property, loss of revenues or profits, loss of enjoyments or use, costs of removal, installation or other consequential damages or whatsoever natures. Some states do not allow the exclusion or limitation of incidental or consequential damages. Accordingly, the above limitation may not apply to you.

The warranty extended hereunder is in lieu of any and all other warranties and any implied warranties of merchantability or fitness for a particular purpose is limited in its scope and duration to the terms set forth herein. Some states do not allow limitations on how long an implied warranty lasts. Accordingly, the above limitation may not apply to you.

This warranty gives you specific legal right. You may also have other rights which vary from state to state. **Register on-line [www.impex-fitness.com](http://www.impex-fitness.com)**

**IMPEX<sup>®</sup> INC.**  
**14777 Don Julian**  
**City of Industry, CA 91746**

### **ORDERING REPLACEMENT PARTS**

Replacement parts can be ordered by calling our Customer Service Department toll-free at **1-800-999-8899** during our regular business hours: Monday through Friday, 9 am until 5 pm Pacific standard time.  
**[info@impex-fitness.com](mailto:info@impex-fitness.com)**

When ordering replacement parts, always give the following information.

1. Model
2. Description of Parts
3. Part Number
4. Date of Purchase

## Free Manuals Download Website

<http://myh66.com>

<http://usermanuals.us>

<http://www.somanuals.com>

<http://www.4manuals.cc>

<http://www.manual-lib.com>

<http://www.404manual.com>

<http://www.luxmanual.com>

<http://aubethermostatmanual.com>

Golf course search by state

<http://golfingnear.com>

Email search by domain

<http://emailbydomain.com>

Auto manuals search

<http://auto.somanuals.com>

TV manuals search

<http://tv.somanuals.com>