

NOTE:
Please read all
instructions carefully
before using this product

Table of Contents
Safety Notice
Hardware Pack
Assembly Instruction
Exploded Diagram
Parts List
Warranty
Ordering Parts

**Model
MD-843**

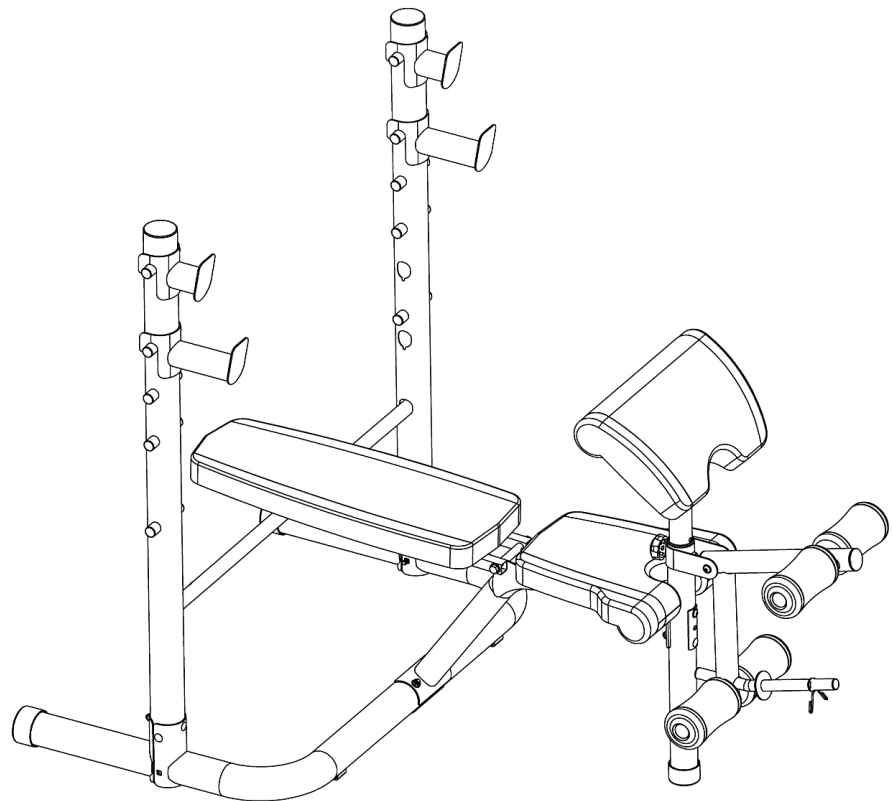
**Retain This
Manual for
Reference**

07/15/09

**OWNER'S
MANUAL**

IMPEX

MARCY[®] DIAMOND ELITE WEIGHT BENCH MD-843



IMPEX[®] INC.

14777 Don Julian Rd., City of Industry, CA 91746

Tel: (800) 999-8899 Fax (626) 961-9966

www.impex-fitness.com

info@impex-fitness.com

TABLE OF CONTENTS

BEFORE YOU BEGIN.....	1
IMPORTANT SAFETY NOTICE.....	2
HARDWARE PACK.....	4
ASSEMBLY INSTRUCTIONS.....	6
EXPLODED DIAGRAM.....	12
PARTS LIST.....	13
WARRANTY.....	14
ORDERING PARTS.....	14

BEFORE YOU BEGIN

Thank you for selecting the **MARCY DIAMOND ELITE WEIGHT BENCH MD-843** by **IMPEX® INC.** For your safety and benefit, read this manual carefully before using the machine. As a manufacturer, we are committed to provide you complete customer satisfaction. If you have any questions, or find there are missing or damaged parts, we guarantee your complete satisfaction through direct assistance from our factory. To avoid unnecessary delays, *please call our TOLL-FREE customer service number.* Our Customer Service Agents will provide immediate assistance to you.

Toll-Free Customer Service Number

1-800-999-8899

Mon. - Fri. 9 a.m. - 5 p.m. PST

www.impex-fitness.com

info@impex-fitness.com

IMPORTANT SAFETY NOTICE

PRECAUTIONS

This exercise machine is built for optimum safety. However, certain precautions apply whenever you operate a piece of exercise equipment. Be sure to read the entire manual before you assemble or operate your machine. In particular, note the following safety precautions:

1. Keep children and pets away from the machine at all times. DO NOT leave children unattended in the same room with the machine.
2. Only one person at a time should use the machine.
3. If the user experiences dizziness, nausea, chest pain, or any other abnormal symptoms, STOP the workout at once. CONSULT A PHYSICIAN IMMEDIATELY.
4. Position the machine on a clear, leveled surface. DO NOT use the machine near water or outdoors.
5. Keep hands away from all moving parts.
6. Always wear appropriate workout clothing when exercising. DO NOT wear robes or other clothing that could become caught in the machine. Running or aerobic shoes are also required when using the machine.
7. Use the machine only for its intended use as described in this manual. DO NOT use attachments not recommended by the manufacturer.
8. Do not place any sharp object around the machine.
9. Disabled person should not use the machine without a qualified person or physician in attendance.
10. Before using the machine to exercise, always do stretching exercises to properly warm up.
11. Never operate the machine if the machine is not functioning properly.
12. A spotter is recommended during exercise.
13. Maximum user's weight: 300 lbs.
14. Maximum weight on uprights: 600 lbs.
15. Maximum weight on leg developer: 100 lbs.

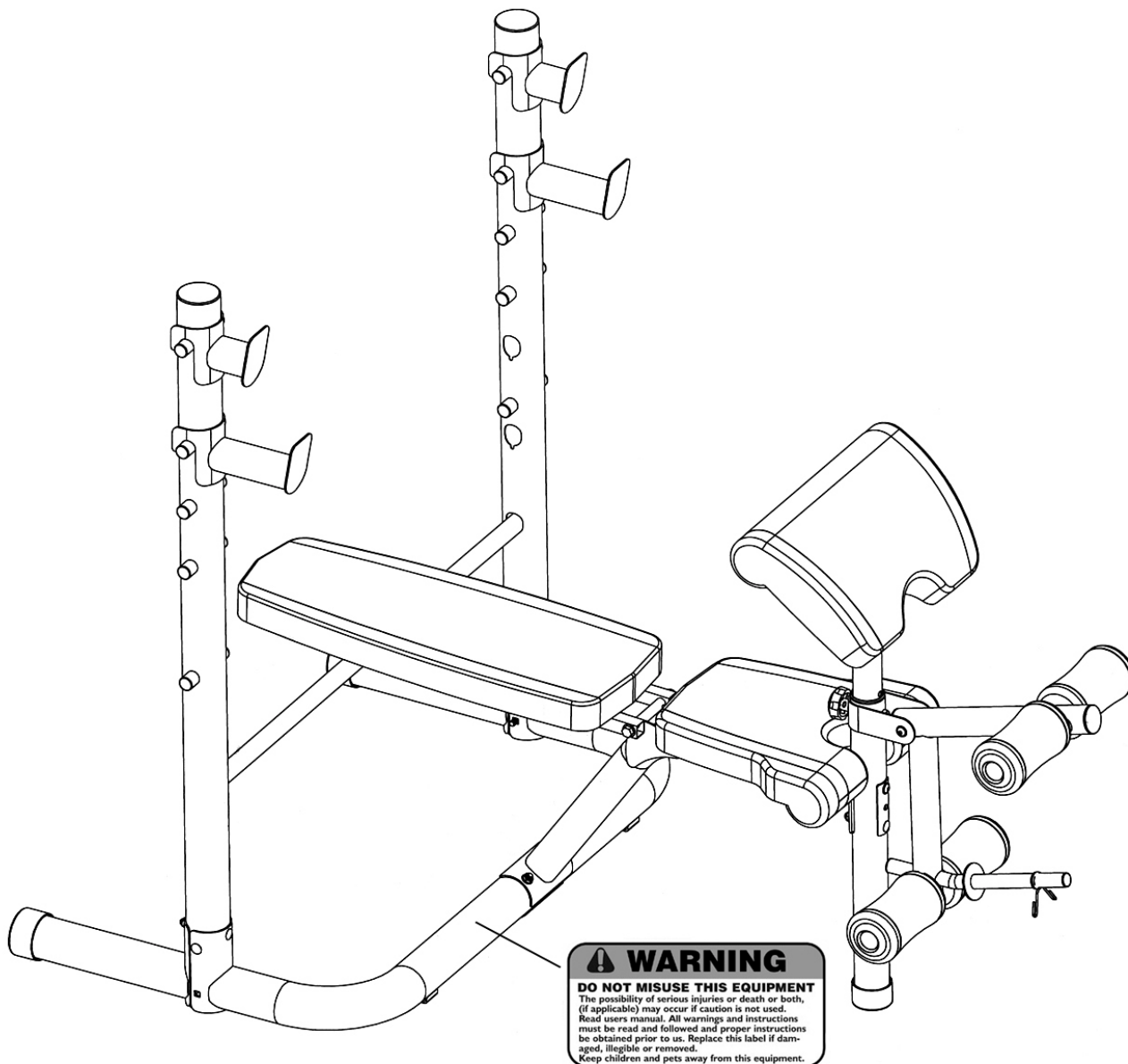
CARE AND MAINTENANCE

1. Inspect and tighten all parts before using the machine.
2. The machine can be cleaned using a damp cloth and mild non-abrasive detergent. DO NOT use solvents.

WARNING: BEFORE BEGINNING ANY EXERCISE PROGRAM, CONSULT YOUR PHYSICIAN. THIS IS ESPECIALLY IMPORTANT FOR INDIVIDUALS OVER THE AGE OF 35 OR PERSONS WITH PRE-EXISTING HEALTH PROBLEMS. READ ALL INSTRUCTIONS BEFORE USING ANY FITNESS EQUIPMENT. IMPEX INC. ASSUMES NO RESPONSIBILITY FOR PERSONAL INJURY OR PROPERTY DAMAGE SUSTAINED BY OR THROUGH THE USE OF THIS PRODUCT.

SAVE THESE INSTRUCTIONS.

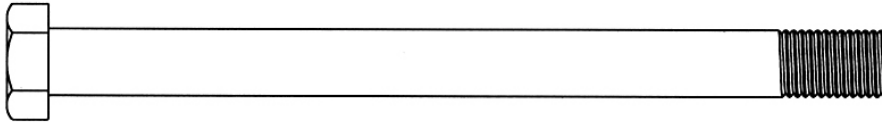
WARNING LABEL PLACEMENT



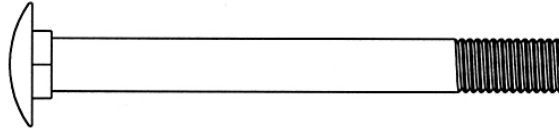
The Warning Labels shown here have been placed on the Base Frame. If the label is missing or illegible, please call customer service at 1-800-999-8899 for replacement. Apply the label in location shown

HARDWARE PACK

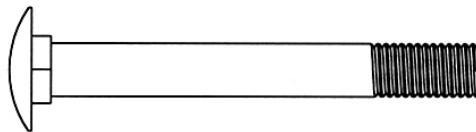
NOTE: The following parts are not drawn to scale. Please use your own ruler to measure the size.



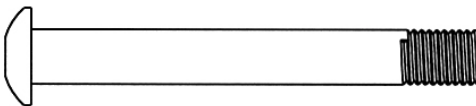
#38 M 12 x 5 $\frac{7}{8}$ " Carriage Bolt (Qty 1)



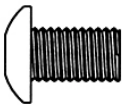
#37 M 10 x 3 $\frac{3}{4}$ " Carriage Bolt (Qty 8)



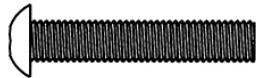
#36 M 10 x 3 $\frac{1}{8}$ " Carriage Bolt (Qty 1)



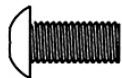
#35 M 10 x 3 $\frac{1}{8}$ " Allen Bolt (Qty 2)



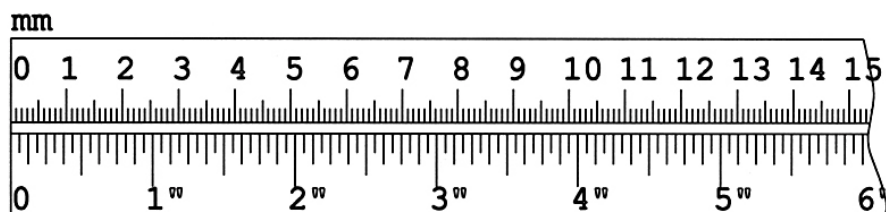
#34 M 10 x $\frac{5}{8}$ " Allen Bolt (Qty 4)



#32 M 8 x 1 $\frac{5}{8}$ " Allen Bolt (Qty 8)

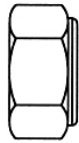


#33 M 8 x $\frac{5}{8}$ " Allen Bolt (Qty 2)

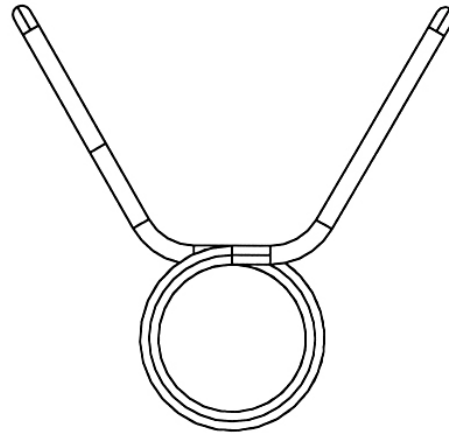


HARDWARE PACK

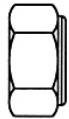
NOTE: The following parts are not drawn to scale. Please use your own ruler to measure the size.



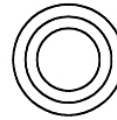
#30 M12 Aircraft Nut
(Qty 1)



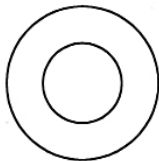
#18 Spring Clip
(Qty 1)



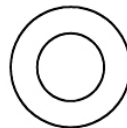
#31 M10 Aircraft Nut
(Qty 10)



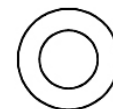
#19 $\text{\O} \frac{3}{4}''$ Leg Developer
Bushing (Qty 2)



#41 $\text{\O} 1''$ Washer
(Qty 2)



#40 $\text{\O} \frac{3}{4}''$ Washer
(Qty 12)



#39 $\text{\O} \frac{5}{8}''$ Washer
(Qty 10)

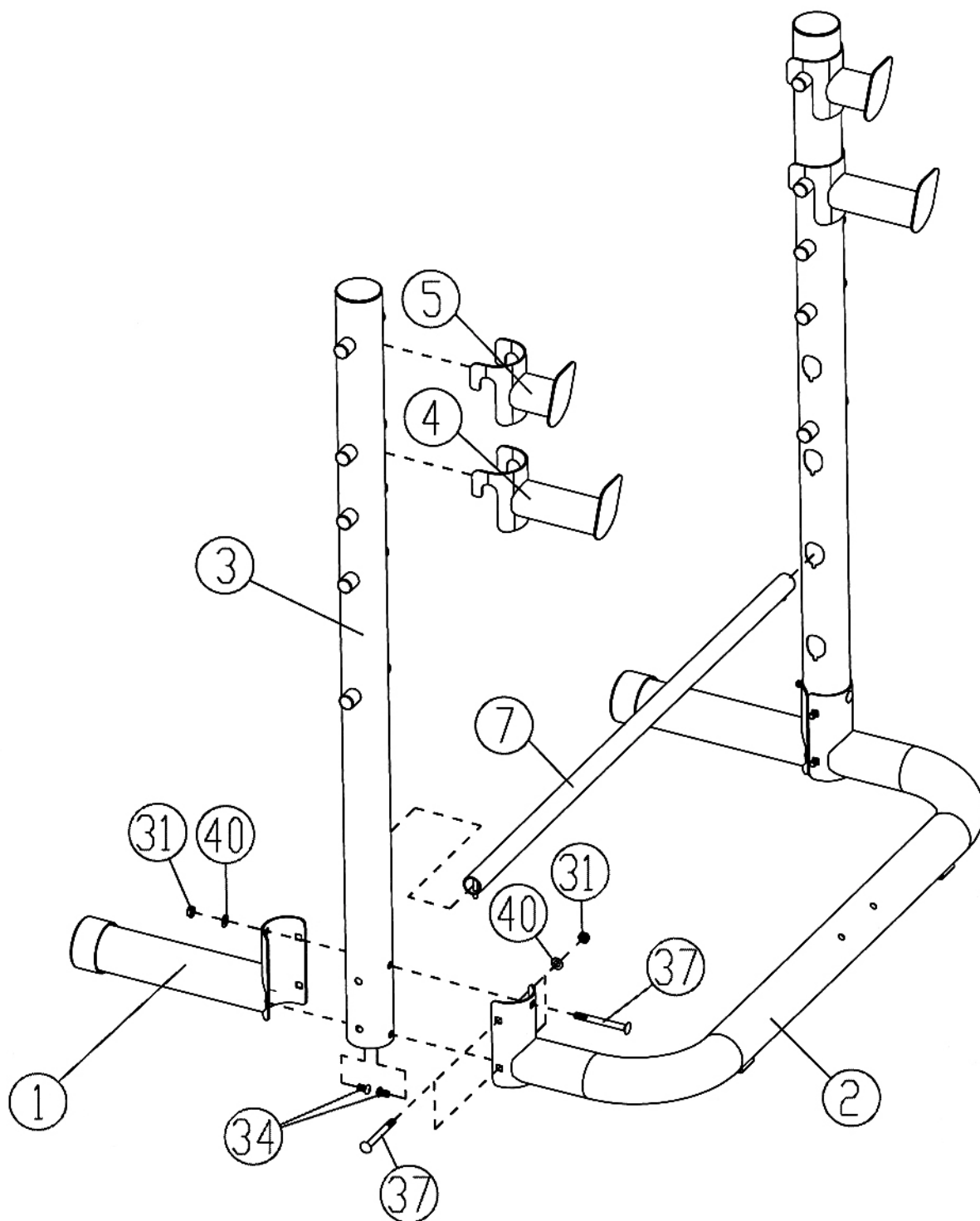
ASSEMBLY INSTRUCTION

Tools Required For Assembling the Machine: Two Adjustable Wrenches and Allen Wrenches. NOTE: It is strongly recommended for two or more people to assemble this machine to avoid possible injury.

STEP 1 (See Diagram 1)

- A.) **Do not tighten Nuts and Bolts until instructed to do so.**
- B.) Attach one Rear Base Frame (#1) to an Upright Beam (#3) from rear. Attach one end of the Base Frame (#2) to the Upright Beam from front. Align the holes. Secure them together with three M10 x 3 3/4" Carriage Bolts (#37), three Ø 3/4" Washers (#40), and three M10 Aircraft Nuts (#31). Secure with two M10 x 5/8" Allen Bolts (#34) from inside of Upright Beam into Rear Base Frame and Base Frame.
- C.) Repeat B to install the other side.
- D.) Attach the two Bar Catches (#5) and two Long Safety Catches (#4) onto the selected slots on the Upright Beams.
- E.) Insert the Backrest Adjustment Bar (#7) into the selected holes on the two Upright Beams to obtain the desired Backrest Incline.
- F.) **Securely tighten all Nuts and Bolts.**

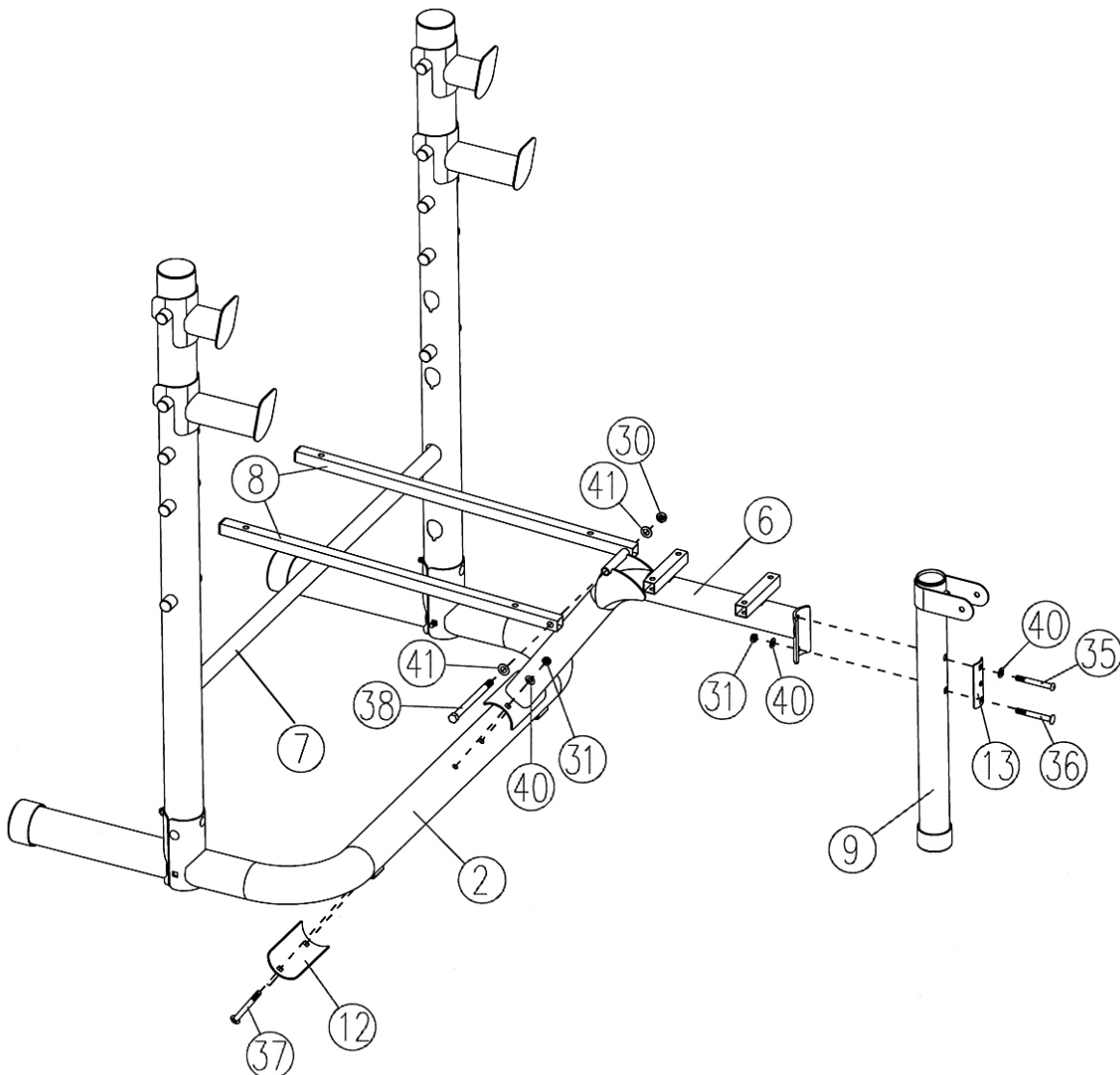
DIAGRAM 1



STEP 2 (See Diagram 2)

- A.) Attach the Main Seat Support (#6) to the Base Frame (#2). Secure it with two M10 x 3 3/4" Carriage Bolts (#37), one 5 1/2" Curved Bracket (#12), two Ø 3/4" Washers (#40), and two M10 Aircraft Nuts (#31). **Do not tighten the Nuts and Bolts yet.**
- B.) Attach the Front Post (#9) to the Main Seat Support. Secure it with one M10 x 3 1/8" Allen Bolt (#35) through upper hole on 4" Curved Bracket (#13), and one Ø 3/4" Washer (#40) into Main Seat Support. Secure with one M10 x 3 1/8" Carriage Bolts (#36), one Ø 3/4" Washer (#40), and one M10 Aircraft Nut (#31) through lower hole on the Bracket.
- C.) **Securely tighten all Nuts and Bolts.**
- D.) Attach the end holes on the two Backrest Supports (#8) to the pivot on Main Seat Support. Secure it with one M12 x 5 7/8" Hex Bolt (#38), two Ø 1" Washers (#41), and one M12 Aircraft Nut (#30). **Do not over tighten the Nut and Bolt. Make sure the Backrest Supports are able to swivel freely.**
- E.) Place the other end of the Backrest Supports onto the Backrest Adjustment Bar (#7).

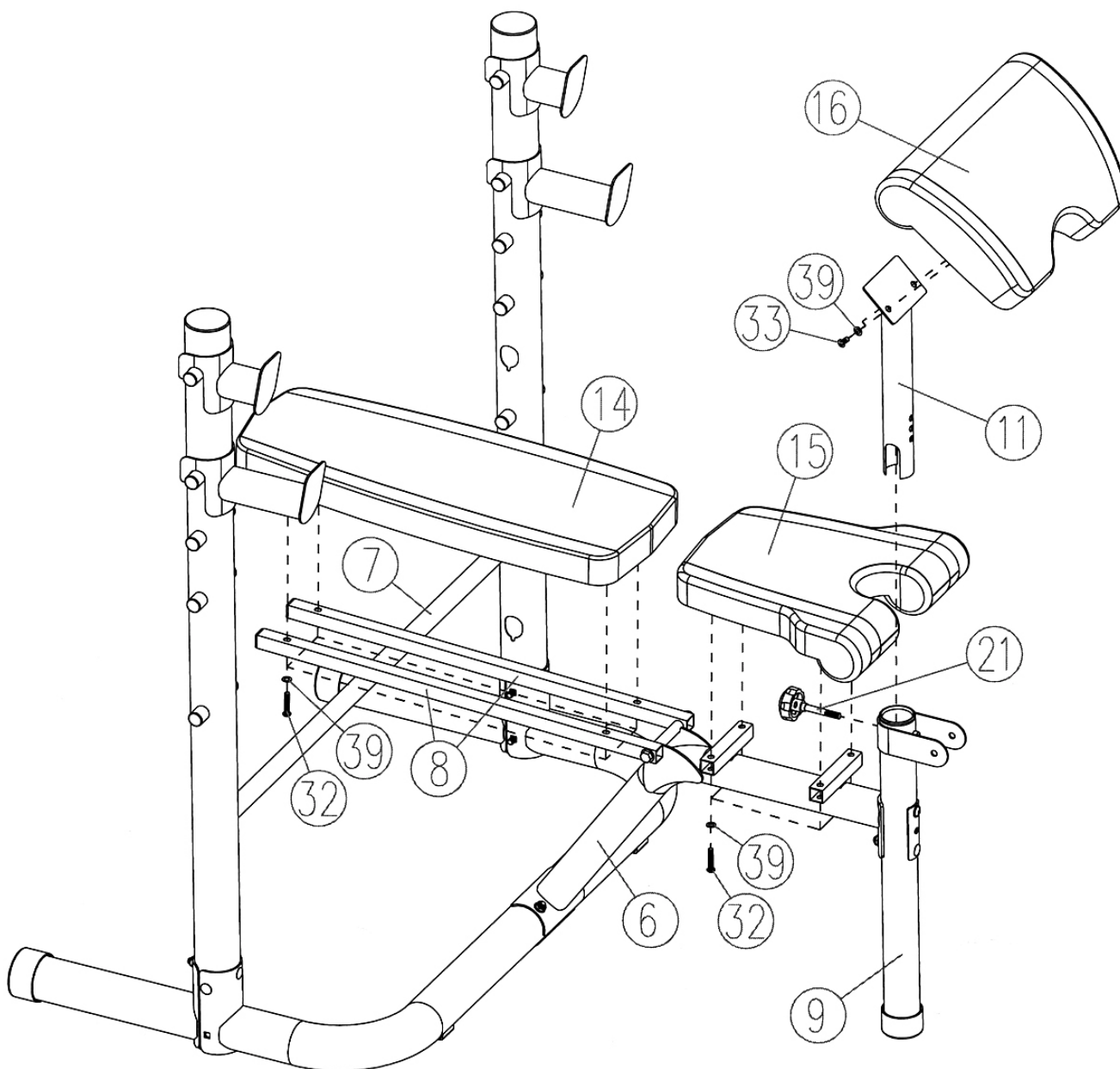
DIAGRAM 2



STEP 3 (See Diagram 3)

- A.) Attach the Backrest Board (#14) to the Backrest Supports (#8). Secure it with four M8 x 1 5/8" Allen Bolts (#32) and four Ø 5/8" Washers (#39).
- B.) Place the Seat Pad (#15) onto the seat brackets on Main Seat Support (#6). Secure it with four M8 x 1 5/8" Allen Bolts (#32), and four Ø 5/8" Washers (#39).
- C.) Attach the Arm Curl Pad (#16) to the Arm Curl Stand (#11). Secure it with two M8 x 5/8" Allen Bolts (#33) and two Ø 5/8" Washers (#39). Insert the Arm Curl Stand into the opening on Front Post (#9). Use a M10 Lock Knob (#21) to lock the Arm Curl Stand in position.

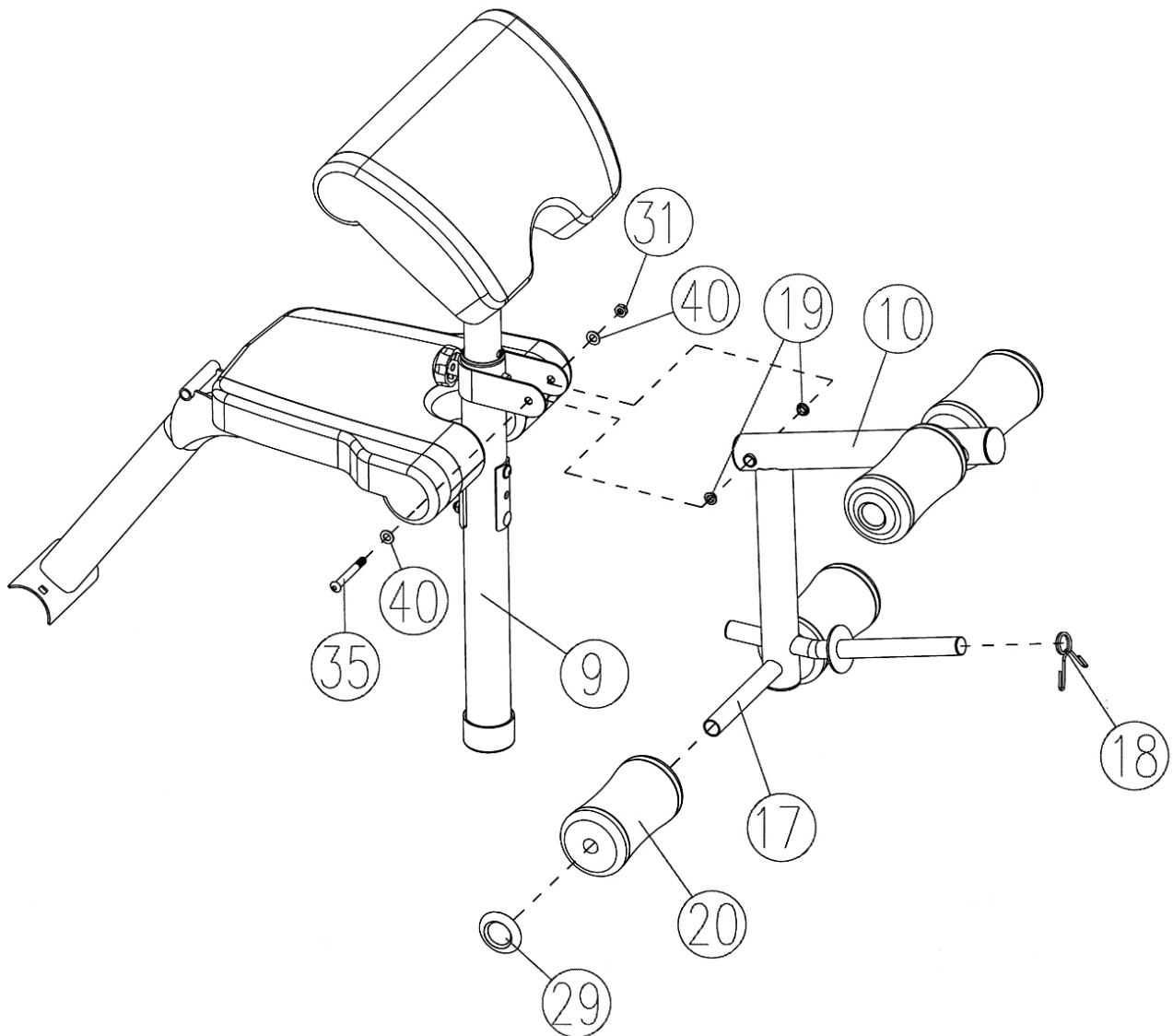
DIAGRAM 3

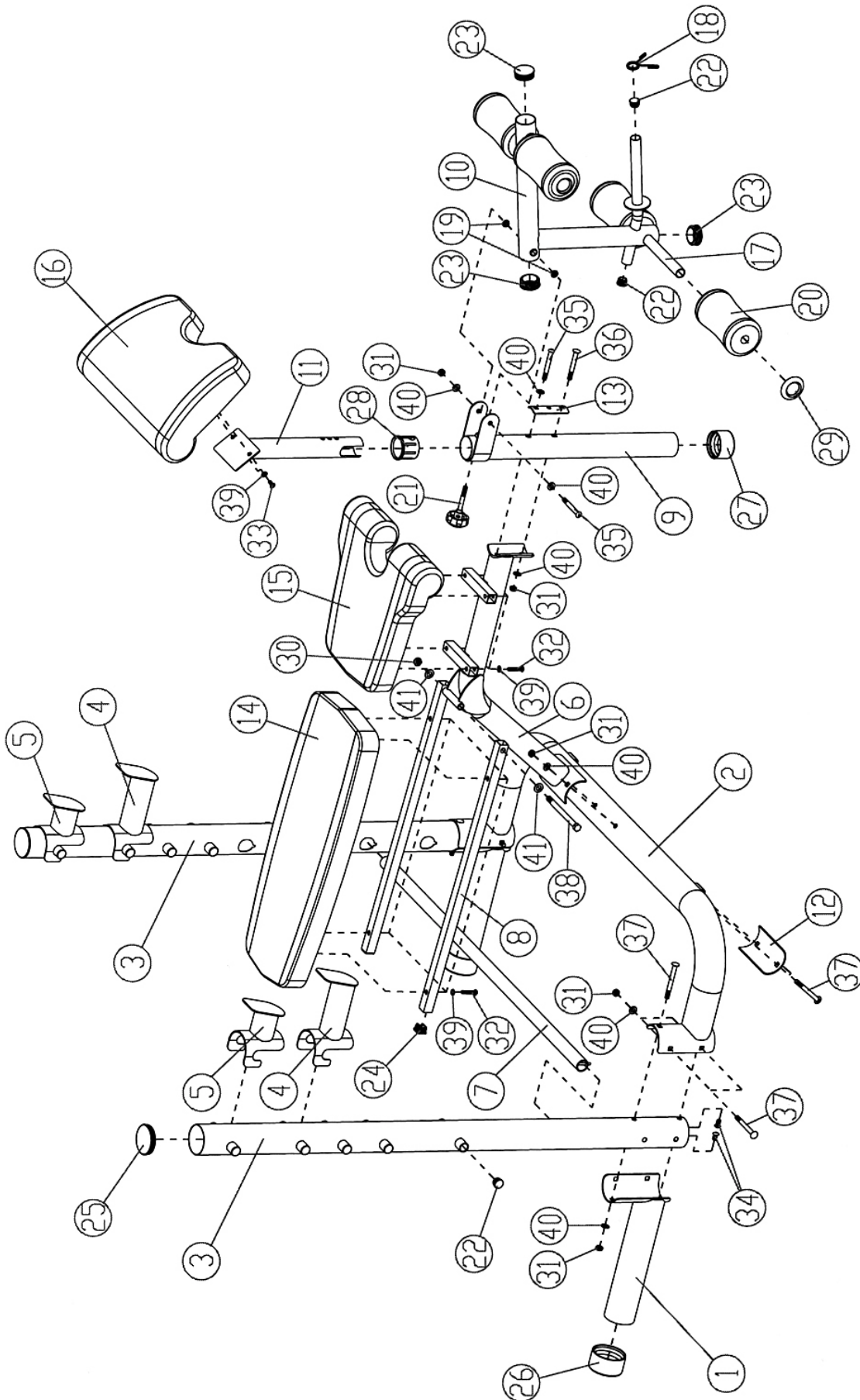


STEP 4 (See Diagram 4)

- A.) Attach two $\text{\O} \frac{3}{4}$ " Leg Developer Bushings (#19) to the Leg Developer (#10). Attach the Leg Developer to the Front Post (#9). Secure it with one M10 x 3 $\frac{1}{8}$ " Allen Bolt (#35), two $\text{\O} \frac{3}{4}$ " Washers (#40), and one M10 Aircraft Nut (#31). **Do not over tighten the Nut and Bolt. Make sure the Leg Developer is able to swivel.**
- B.) Insert two Foam Tubes (#17) halfway through the holes on the Leg Developer. Push four Foam Rolls (#20) onto the Tubes from both ends. Plug four Foam Roll End Caps (#29) into the ends.
- C.) Attach a Spring Clip (#18) onto the weight post on the Leg Developer.

DIAGRAM 4





EXPLODED DIAGRAM

PARTS LIST

KEY NO.	DESCRIPTION	QUANTITY
1	Rear Base Frame	2
2	Base Frame	1
3	Upright Beam	2
4	Long Safety Catch	2
5	Bar Catch	2
6	Main Seat Support	1
7	Backrest Adjustment Bar	1
8	Backrest Support	2
9	Front Post	1
10	Leg Developer	1
11	Arm Curl Stand	1
12	5 1/2" Curved Bracket	1
13	4" Curved Bracket	1
14	Backrest Board	1
15	Seat Pad	1
16	Arm Curl Pad	1
17	Foam Tube	2
18	Spring Clip	1
19	Ø 3/4" Leg Developer Bushing	2
20	Foam Roll	4
21	M10 Lock Knob	1
22	Ø 1" End Cap	22
23	Ø 2" End Cap	3
24	1" Square End Cap	2
25	Ø 3" Crutch End Cap	2
26	Rear Base Frame End Cap	2
27	Ø 2 3/8" Front Post End Cap	1
28	Arm Curl Stand Sleeve	1
29	Foam Roll End Cap	4
30	M12 Aircraft Nut	1
31	M10 Aircraft Nut	10
32	M8 x 1 5/8" Allen Bolt	8
33	M8 x 5/8" Allen Bolt	2
34	M10 x 5/8" Allen Bolt	4
35	M10 x 3 1/8" Allen Bolt	2
36	M10 x 3 1/8" Carriage Bolt	1
37	M10 x 3 3/4" Carriage Bolt	8
38	M12 x 5 7/8" Hex Bolt	1
39	Ø 5/8" Washer	10
40	Ø 3/4" Washer	12
41	Ø 1" Washer	2

IMPEX INC.

LIMITED WARRANTY

IMPEX Inc. ("IMPEX[®]") warrants this product to be free from defects in workmanship and material, under normal use and service conditions, for a period of two years on the Frame from the date of purchase. This warranty extends only to the original purchaser. IMPEX's obligation under this Warranty is limited to replacing or repairing, at IMPEX's option.

All returns must be pre-authorized by IMPEX. Pre-authorization may be obtained by calling IMPEX Customer Service Department at 1-800-999-8899. All freights on products returned to IMPEX must be prepaid by the customer. This warranty does not extend to any product or damage to a product caused by or attributable to freight damage, abuse, misuse, improper or abnormal usage or repairs not provided by a IMPEX authorized service center or for products used for commercial or rental purposes. No other warranty beyond that specifically set forth above is authorized by IMPEX.

IMPEX is not responsible or liable for indirect, special or consequential damages arising out of or in connection with the use or performance of the product or other damages with respect to any economic loss, loss of property, loss of revenues or profits, loss of enjoyments or use, costs of removal, installation or other consequential damages or whatsoever natures. Some states do not allow the exclusion or limitation of incidental or consequential damages. Accordingly, the above limitation may not apply to you.

The warranty extended hereunder is in lieu of any and all other warranties and any implied warranties of merchantability or fitness for a particular purpose is limited in its scope and duration to the terms set forth herein. Some states do not allow limitations on how long an implied warranty lasts. Accordingly, the above limitation may not apply to you.

This warranty gives you specific legal right. You may also have other rights which vary from state to state.

Register on-line www.impex-fitness.com

**IMPEX[®] INC.
14777 Don Julian
City of Industry, CA 91746**

ORDERING REPLACEMENT PARTS

Replacement parts can be ordered by calling our Customer Service Department toll-free at 1-800-999-8899 during our regular business hours: Monday through Friday, 9 am until 5 pm Pacific standard time.

info@impex-fitness.com

When ordering replacement parts, always give the following information.

1. Model
2. Description of Parts
3. Part Number
4. Date of Purchase

Free Manuals Download Website

<http://myh66.com>

<http://usermanuals.us>

<http://www.somanuals.com>

<http://www.4manuals.cc>

<http://www.manual-lib.com>

<http://www.404manual.com>

<http://www.luxmanual.com>

<http://aubethermostatmanual.com>

Golf course search by state

<http://golfingnear.com>

Email search by domain

<http://emailbydomain.com>

Auto manuals search

<http://auto.somanuals.com>

TV manuals search

<http://tv.somanuals.com>