



USER'S GUIDE
V:1021-1214-09



ICP310B

Clock Radio for iPhone/iPod

For the most up-to-date version of this User's Guide, go to www.ilive.net

WARNINGS AND PRECAUTIONS

- **CAUTION:** TO PREVENT ELECTRIC SHOCK, MATCH WIDE BLADE OF PLUG TO WIDE SLOT, FULLY INSERT.
- **WARNING:** To reduce the risk of fire or electric shock, do not expose this apparatus to rain or moisture.
- **AVERTISSEMENT:** Pour réduire le risque d'incendie ou de choc électrique, ne pas exposer cet appareil sous la pluie et l'humidité.
- **CAUTION:** Use of controls or adjustments or performance of procedures other than those specified may result in hazardous radiation exposure.
- **WARNING:** Changes or modifications to this unit not expressly approved by the party responsible for compliance could void the user's authority to operate the equipment.
- **WARNING:** Do not place the unit on top of any soft, porous, or sensitive surfaces to avoid damaging the surface. Use a protective barrier between the unit and surface to protect the surface.
- **WARNING:** Use of this unit near fluorescent lighting may cause interference regarding use of the remote. If the unit is displaying erratic behavior move away from any fluorescent lighting, as it may be the cause.
- **CAUTION:** Danger of explosion if battery is incorrectly replaced. Replace only with the same or equivalent type.
- **PRÉCAUTION:** *Danger d'explosion si les piles sont remplacées de façon incorrect. Remplacer les piles seulement par le même type de pile ou l'équivalent.*
- **WARNING:** There is a danger of explosion if you attempt to charge standard Alkaline batteries in the unit. Only use rechargeable NiMH batteries.
- **WARNING:** The remote control's button cell battery contains mercury. Do not put in the trash, instead recycle or dispose of as hazardous waste.
- **WARNING:** Lithium batteries, like all rechargeable batteries are recyclable and should be recycled or disposed of in normal household waste. Contact your local government for disposal or recycling practices in your area. They should never be incinerated since they might explode.

Main plug is used as disconnect device and it should remain readily operable during intended use.

Do not mix old and new batteries.

Do not mix alkaline, standard (carbon-zinc), or rechargeable (ni-cad, ni-mh, etc) batteries.

No mezcle baterias viejas y nuevas.

No mezcle baterias alcalinas, estándar (carbone-zinc) o recargables (ni-cad, ni-mh, etc.).

CAUTION
RISK OF ELECTRIC SHOCK
DO NOT OPEN

WARNING: TO REDUCE THE RISK OF ELECTRIC SHOCK, DO NOT REMOVE COVER (OR BACK). NO USER-SERVICEABLE PARTS INSIDE. REFER SERVICING TO QUALIFIED SERVICE PERSONNEL.



The lightning flash with arrowhead symbol, within an equilateral triangle, is intended to alert the user to the presence of uninsulated "dangerous voltage" within the product's enclosure that may be of sufficient magnitude to constitute a risk of electric shock to persons.



The exclamation point within an equilateral triangle is intended to alert the user to the presence of important operating and maintenance (servicing) instructions in the literature accompanying the appliance.



This product utilizes a Class 1 laser to read Compact Discs. This Laser Compact Disc Player is equipped with safety switches to avoid exposure when the CD door is open and the safety interlocks are defeated. Invisible laser radiation is present when the CD Player's lid is open and the system's interlock has failed or been defeated. It is very important that you avoid direct exposure to the laser beam at all times. Please do not attempt to defeat or bypass the safety switches.

IMPORTANT SAFETY INSTRUCTIONS

1. Read these Instructions.
2. Keep these Instructions.
3. Heed all Warnings.
4. Follow all instructions.
5. Do not use this apparatus near water.
6. Clean only with a dry cloth.
7. Do not block any ventilation openings. Install in accordance with the manufacturer's instructions.
8. Do not install near any heat sources such as radiators, heat registers, stoves, or other apparatus (including amplifiers) that produce heat.
9. Do not defeat the safety purpose of the polarized or grounding - type plug. A polarized plug has two blades with one wider than the other. A grounding type plug has two blades and a third grounding prong. The wide blade or the third prong are provided for your safety. When the provided plug does not fit into your outlet, consult an electrician for replacement of the obsolete outlet.
10. Protect the power cord from being walked on or pinched particularly at plugs, convenience receptacles, and the point where they exit from the apparatus.
11. Only use attachments/accessories specified by the manufacturer.
12. Use only with a cart, stand, tripod, bracket, or table specified by the manufacturer, or sold with the apparatus. When a cart is used, use caution when moving the cart/apparatus combination to avoid injury from tip-over.
13. Unplug this apparatus during lightning storms or when unused for long periods of time.
14. Refer all servicing to qualified service personnel. Servicing is required when the apparatus has been damaged in any way, such as power-supply cord or plug is damaged, liquid has been spilled or objects have fallen into the apparatus, the apparatus has been exposed to rain or moisture, does not operate normally, or has been dropped.



FCC Warnings

NOTE: This equipment has been tested and found to comply with the limits for a Class B digital device, pursuant to Part 15 of the FCC Rules. These limits are designed to provide reasonable protection against harmful interference in a residential installation. This equipment generates, uses, and can radiate radio frequency energy and, if not installed and used in accordance with the instructions, may cause harmful interference to radio communications. However, there is no guarantee that interference will not occur in a particular installation. If this equipment does cause harmful interference to radio or television reception, which can be determined by turning the equipment off and on, the user is encouraged to try to correct the interference by one or more of the following measures:

- Reorient or relocate the receiving antenna.
- Increase the separation between the equipment and receiver.
- Connect the equipment into an outlet on a circuit different from that to which the receiver is connected.
- Consult the dealer or an experienced radio/TV technician for help.

Additional Warnings

- The apparatus shall not be exposed to dripping or splashing and that no objects filled with liquids, such as vases, shall be placed on apparatus.

L'appareil ne doit pas être exposé aux écoulements ou aux éclaboussures et aucun objet ne contenant de liquide, tel qu'un vase, ne doit être placé sur l'objet.

- Main plug is used as disconnect device and it should remain readily operable during intended use. In order to disconnect the apparatus from the mains completely, the mains plug should be disconnected from the mains socket outlet completely.

La prise du secteur ne doit pas être obstruée ou doit être facilement accessible pendant son utilisation. Pour être complètement déconnecté de l'alimentation d'entrée, la prise doit être débranchée du secteur.

- Battery shall not be exposed to excessive heat such as sunshine, fire or the like.

Les piles ne doivent pas être exposées à de forte chaleur, tel qu'à la lumière du soleil, au feu ou autres choses de semblable.

- Caution marking is located at the bottom of the apparatus.

Les marquages sont inscrits en bas de l'appareil.

- The marking information is located at the bottom of apparatus.

Les précautions d'emploi sont inscrites en bas de l'appareil.

CLOCK RADIO FOR IPHONE/IPOD

Features

- Works with iPhone
- Made for iPod
- AM/FM radio
- Station memory presets (20AM and 20FM)
- Dual alarms
- Digital clock
- Snooze
- Sleep timer
- Wake to iPhone/iPod, radio, or buzzer
- Gradual wake
- Line input (3.5mm)
- Video output
- Subwoofer output
- Preset EQ
- Last channel memory
- Basic iPhone/iPod controls
- Built-in speakers
- 0.9" white LCD display
- Supports universal docking brackets
- Cloth speaker grill
- AC power: requires AC/DC power adapter (included)
- Battery backup: requires 2 AAA batteries (not included)

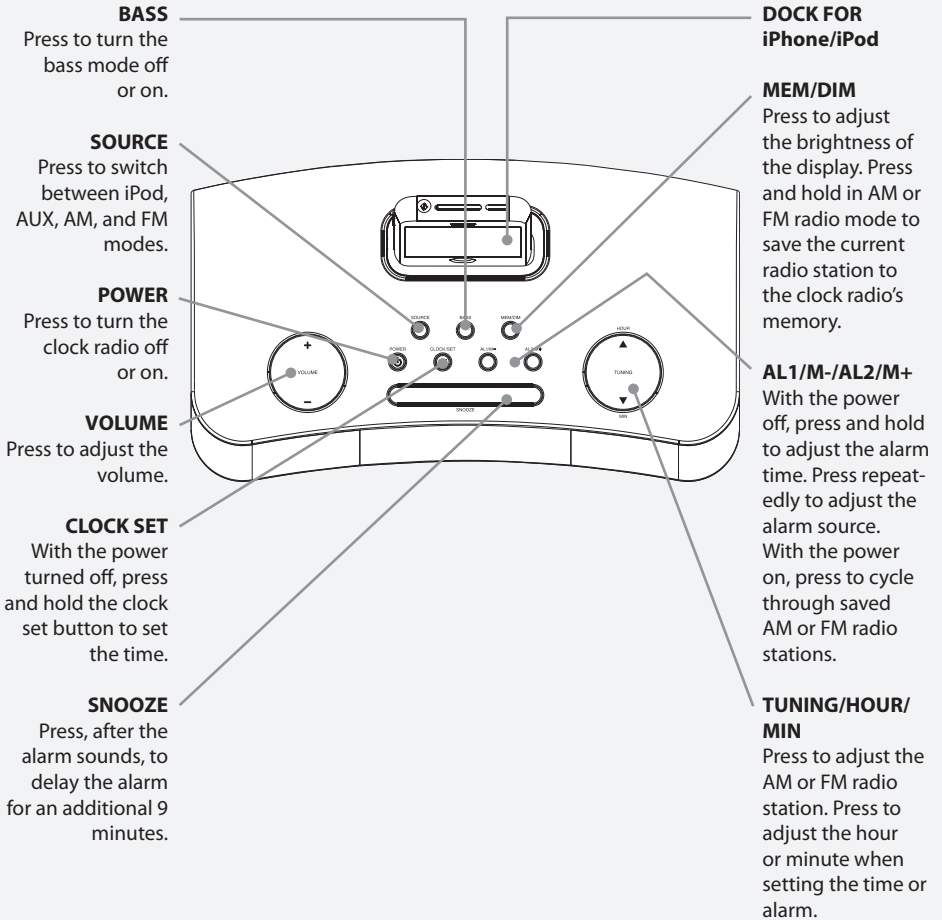
Included

- ICP310B
- AC/DC power adapter
- Docking brackets for iPhone/iPod (5)
- AM loop antenna

TABLE OF CONTENTS

INTRODUCTION	6
SETUP	8
CLOCK	9
IPHONE/IPOD	10
RADIO, INPUTS, & OUTPUTS	11
COMPANY INFORMATION	12

INTRODUCTION



DC POWER INPUT

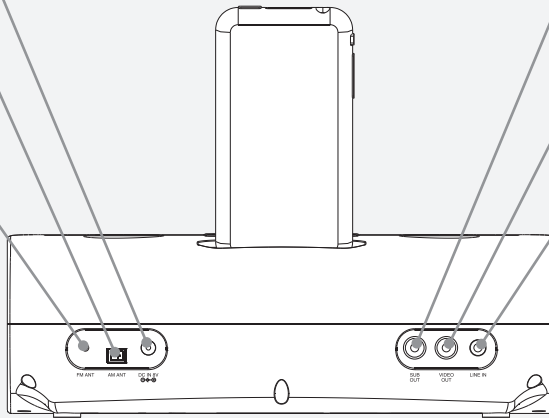
SUBWOOFER
OUTPUT

AM ANTENNA
INPUT

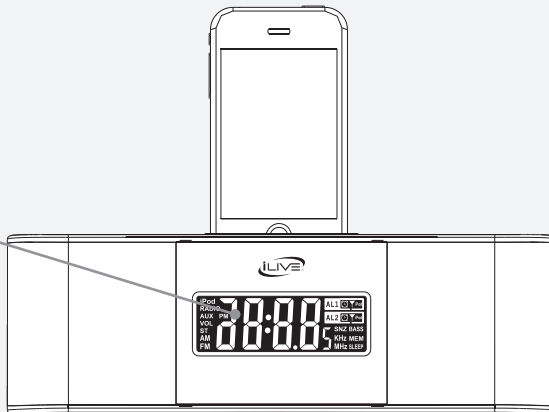
VIDEO OUTPUT

FM WIRE
ANTENNA

LINE INPUT
(3.5mm)

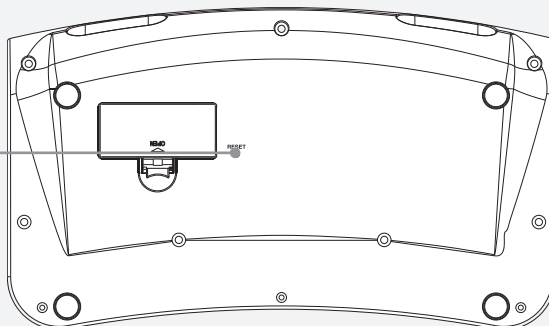


DISPLAY



RESET

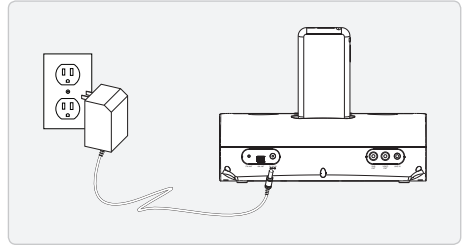
Press using a
paperclip or like
object to reset the
clock radio to it's
original settings.



SETUP

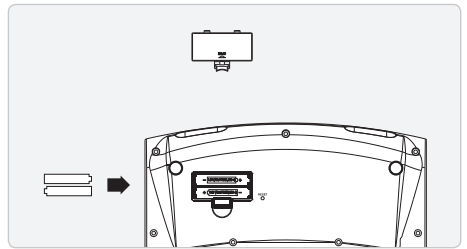
Power

Plug the AC/DC power adapter (included) into the **DC POWER INPUT** and a standard AC power outlet to power the clock radio.



Battery Backup

Requires 2 AAA batteries (not included)



AM Loop Antenna

Plug the AM Loop Antenna (included) into the **AM ANTENNA INPUT** to receive AM radio reception.

Setting the Clock

- 1 Press the **POWER** button to turn the clock radio off.
- 2 Press and hold the **CLOCK SET** button.
- 3 While holding the **CLOCK SET** button, press the **HOUR** and **MIN** buttons to adjust the hour and minute.
- 4 After the desired time is set, release the **CLOCK SET** button to finish setting the time.

Setting the Alarm

- 1 Press the **POWER** button to turn the clock radio off.
- 2 Press and hold the **AL1** or **AL2** buttons.
- 3 While holding the **AL1** or **AL2** buttons, press the **HOUR** and **MIN** buttons to adjust the hour and minute.
- 4 After the desired alarm time is set, release the **AL1** or **AL2** buttons.
- 5 Press the **AL1** or **AL2** buttons to adjust the alarm source between BUZZER, RADIO, iPod, or OFF.

Setting the Sleep Timer

- 1 With the clock radio powered on and playing, press the **SNOOZE** button repeatedly to set the sleep timer.
- 2 After the set amount of time has expired the clock radio will automatically power off.

IPHONE/IPOD

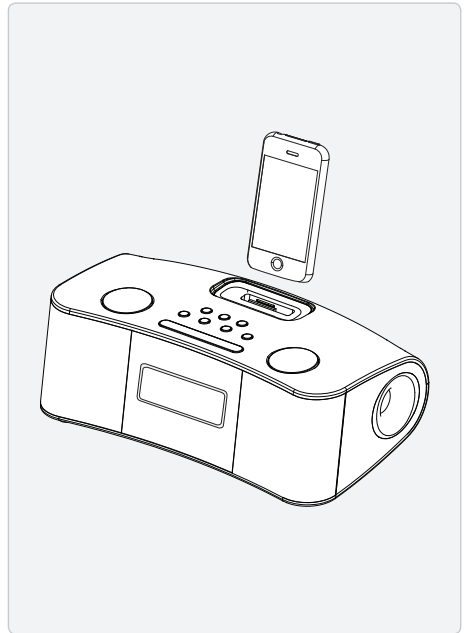
Docking an iPhone/iPod

- 1 Locate the numbered bracket that fits the iPhone/iPod model that will be docked.

Each included bracket has a number on it, indicating which iPhone/iPod model that bracket is compatible with. See the separate bracket chart page to identify which bracket is needed.

- 2 Snap the bracket into place over the iPhone/iPod connector in the dock for iPhone/iPod.
- 3 Connect the iPhone or iPod to the connector inside the Dock for iPhone/iPod.

When the speaker is plugged in, using AC power, the docked iPhone or iPod will charge.



Playing an iPhone/iPod

- 1 Follow the instructions for docking an iPhone/iPod.
- 2 Press the **POWER** button to turn the clock radio on.
- 3 Press the **SOURCE** button to switch to iPod mode.
- 4 Press the **PLAY/PAUSE** button to begin playing music from the docked iPhone or iPod.

Playing the AM/FM Radio

- 1 Press the **POWER** button to turn the clock radio on.
- 2 Press the **SOURCE** button to switch to AM or FM radio mode.
- 3 Press the **TUNING** buttons to adjust the AM or FM radio station.

Saving an AM/FM Radio Station

- 1 Follow the instructions for PLAYING THE AM/FM RADIO.
- 2 Press the **TUNING** buttons to tune to the desired station.
- 3 Press and hold the **MEM/DIM** button.
- 4 Press the **TUNING** buttons to select a memory preset.
- 5 Press the **MEM/DIM** button to save the current station to the select memory preset.

Playing a Preset Radio Station

- 1 Follow the instructions for PLAYING THE AM/FM RADIO and SAVING AN AM/FM RADIO STATION.
- 2 Press the **M-** and **M+** buttons to cycle through preset radio stations.

Subwoofer Output

Requires a RCA audio cable (not included)

- 1 Connect a RCA audio cable to the **SUBWOOFER OUTPUT** on the clock radio and an input on a subwoofer.

Line Input

Requires a 3.5mm line input cable (not included).

- 1 Connect a line input cable to the **LINE INPUT** and an MP3 player.
- 2 Press the **POWER** button to turn the clock radio on.
- 3 Press the **SOURCE** button to switch to AUX mode.
- 4 Use the native controls on the connected MP3 player to play audio through the clock radio.

Video Output

Requires a RCA video cable (not included).

- 1 Follow the instructions for DOCKING AN iPhone/iPod and PLAYING AN iPhone/iPod.
- 2 Make sure "TV Out" is set to "On" in the video settings of the docked iPhone or iPod.
- 3 Connect a RCA video cable to the **VIDEO OUTPUT** on the clock radio and a video input on a television.
- 4 Adjust the television to the correct input setting.
- 5 Videos played through the docked iPhone or iPod will now play on the connected television.

COMPANY INFORMATION

Green Initiative

Environmental Commitment to 'Protect for Today and Sustain for Tomorrow'

2009 marks the official launch of DPI, Inc.'s corporate campaign for a greener and cleaner world. DPI and its four brands, iLive, WeatherX, Capri, and GPX, are building upon environmental initiatives introduced at all of their facilities to help formulate and sustain significant and important conservation efforts within its manufacturing and marketing communities. In addition to targeting and selecting energy efficient product features, and structuring 'green office' procedures, other initial program efforts include:

- Reduction of all packaging sizes
- Recyclable plastics for clamshell packages, with a plan to eventually replace plastic with recyclable paper
- Recycled fiber board in place of the polyfoam in packing boxes
- Recycled plastics in place of the virgin material in product construction

International Support

To download this User's Guide in English, Spanish, or French, visit the support section at www.ilive.net.

Para transferir esta guía de usuario en inglés, español, o francés, visite la sección de la ayuda en www.ilive.net.

Pour télécharger ce guide de l'utilisateur en anglais, espagnol, ou français, visitez la section de soutien chez www.ilive.net.

Contact Information

Address: 2116 Carr Street, St. Louis MO, 63106

Phone: 1-314-621-2881

Fax: 1-314-588-1805

Email: customerservice@ilive.net

Parts Email: partsinfo@dpi-global.com

Website: www.ilive.net

Free Manuals Download Website

<http://myh66.com>

<http://usermanuals.us>

<http://www.somanuals.com>

<http://www.4manuals.cc>

<http://www.manual-lib.com>

<http://www.404manual.com>

<http://www.luxmanual.com>

<http://aubethermostatmanual.com>

Golf course search by state

<http://golfingnear.com>

Email search by domain

<http://emailbydomain.com>

Auto manuals search

<http://auto.somanuals.com>

TV manuals search

<http://tv.somanuals.com>