



IBCD2817DP

INSTRUCTION MANUAL



Warnings and Precautions

TO PREVENT FIRE OR SHOCK HAZARDS, DO NOT EXPOSE THIS UNIT TO RAIN OR MOISTURE.



This symbol, located on back or bottom of the unit, is intended to alert the user to the presence of uninsulated “dangerous voltage” within the product’s enclosure that may be of sufficient magnitude to constitute a risk of electric shock to persons.



This symbol, located on back or bottom of the unit, is intended to alert the user to the presence of important operating and maintenance (servicing) instructions in the literature accompanying the appliance.



This product utilizes a Class 1 laser to read Compact Discs. This laser Compact Disc Player is equipped with safety switches to avoid exposure when the CD door is open and the safety interlocks are defeated. Invisible laser radiation is present when the CD Player’s lid is open and the system’s interlock has failed or been defeated. It is very important that you avoid direct exposure to the laser beam at all times. Please do not attempt to defeat or bypass the safety switches.

CAUTION: TO PREVENT ELECTRIC SHOCK, MATCH WIDE BLADE OF PLUG TO WIDE SLOT, FULLY INSERT.

To reduce the risk of electric shock, do not remove cover (or back). There are no user-serviceable parts inside. Please refer any servicing to qualified service personnel.

WARNING: Changes or modifications to this unit not expressly approved by the party responsible for compliance could void the user’s authority to operate the equipment.

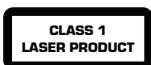
WARNING: Danger of explosion if the remote control’s batteries are incorrectly installed. Replace only with the same or equivalent battery.

WARNING: The remote control’s button cell battery contains mercury. Do not put in the trash, instead recycle or dispose of as hazardous waste

WARNING: Use of this unit near fluorescent lighting may cause interference regarding use of the remote. If the unit is displaying erratic behavior move away from any fluorescent lighting, as it may be the cause.

NOTE: This equipment has been tested and found to comply with the limits for a Class B digital device, pursuant to Part 15 of the FCC Rules. These limits are designed to provide reasonable protection against harmful interference in a residential installation. This equipment generates, uses, and can radiate radio frequency energy and, if not installed and used in accordance with the instructions, may cause harmful interference to radio communications. However, there is no guarantee that interference will not occur in a particular installation. If this equipment does cause harmful interference to radio or television reception, which can be determined by turning the equipment off and on, the user is encouraged to try to correct the interference by one or more of the following measures:

- Reorient or relocate the receiving antenna.
- Increase the separation between the equipment and receiver.
- Connect the equipment into an outlet on a circuit different from that to which the receiver is connected.
- Consult the dealer or an experienced radio/TV technician for help.



The symbol for Class II (Double Insulation)

Important Safety Instructions

1. Read these instructions. All the safety and operating instruction should be read before the product is operated.

2. Keep these instructions. The safety and operating instruction should be retained for future reference.

3. Heed all warnings. All warning on the product and in the operating instructions should be adhered to.

4. Follow all instructions. All operating and use instructions should be followed.

5. Water and Moisture: Do not use this product near water - for example, near a bath tub, wash bowl, kitchen sink, or laundry tub; in a wet basement, or near a swimming pool, and the like. The apparatus shall not be exposed to dripping or splashing and that no objects filled with liquids, such as vases, shall be placed on apparatus.

6. Cleaning: Clean only with a dry cloth. Unplug this product from the wall outlet before cleaning. Do not use liquid cleaners or aerosol cleaners.

7. Do not block any ventilation openings. Install in accordance with the manufacturer's instructions. Slots and openings in the cabinet are provided for ventilation and to ensure reliable operation of the product and to protect it from overheating, and these openings must not be blocked or covered. The openings should never be blocked by placing the product on a bed, sofa, rug, or other similar surface.

8. Heat: Do not install near any heat sources such as radiators, heat registers, stoves, or other apparatus (including amplifiers) that produce heat.

9. Grounding or Polarization: Do not defeat the safety purpose of the polarized or grounding-type plug. A polarized plug has two blades with one wider than the other. A grounding type plug has two blades and a third grounding prong. The wide blade or the third prong are provided for your safety. If the provided plug does not fit into your outlet, consult an electrician for replacement of the obsolete outlet.

10. Power-Cord Protection: Protect the power cord from being walked on or pinched particularly at plugs, convenience receptacles, and the point where they exit from the apparatus.

11. Accessories: Only use attachments/accessories specified by the manufacturer. Do not place this product on an unstable cart, stand tripod, bracket, or table. The product may fall, causing serious injury to a child or adult, and serious damage to the

product. Use only with a cart, stand, tripod, bracket, or table recommended by the manufacturer, or sold with the product. Any mounting of the product should follow the manufacturer's instructions, and should use a mounting accessory recommended by the manufacturer.

12. A product and cart combination should be moved with care. Use only with the cart, stand, tripod, bracket, or table specified by the manufacturer, or sold with the apparatus. When a cart is used, use caution when moving the cart/apparatus combination to avoid injury from tip-over.



S3125A

PORTABLE
CART
WARNING

13. Lightning: Unplug this apparatus and disconnect the antenna or cable system during lightning storms or when unused for long periods of time. This will prevent damage to the product due to lightning and power-line surges.

14. Servicing: Do not attempt to service this product yourself as opening or removing covers may expose you to dangerous voltage or other hazards. Refer all servicing to qualified service personnel.

15. Power Sources: Only connect to the type of house-hold power supply as indicated in the operating instructions and rating label. If you are not sure of the type of power supply to your home, consult your product dealer or local power company. For products intended to operate from battery power, or other sources, refer to the operating instruction.

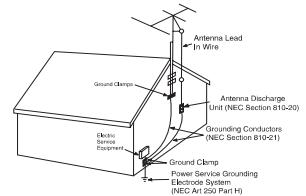
16. Overloading: Do not overload wall outlets or extension cords as this can result in a risk of fire or electric shock.

17. Object and Liquid Entry: Never push objects of any kind or spill liquid into this product through openings as this could result in a risk of fire or electric shock.

18. Replacement Parts and Safety Check: When replacement parts are required, be sure the service technician has used replacement parts specified by the manufacturer. Ask the service technician to perform safety checks to ensure proper operation to avoid possible fire, electric shock, or other hazards.

19. Outdoor Antenna Grounding: If an outside antenna or cable system is connected to the product, be sure the antenna or cable

system is grounded so as to provide some protection against voltage surges and built-up static charges. Article 810 of the National Electrical Code, ANSI/NFPA 70, provides information with regard to proper grounding of the mast and supporting structure, grounding of the lead-in wire to an antenna connection to grounding electrodes, and requirements for the grounding electrode.



20. Wall or Ceiling Mounting: The product should be mounted to a wall or ceiling only as recommended by the manufacturer.

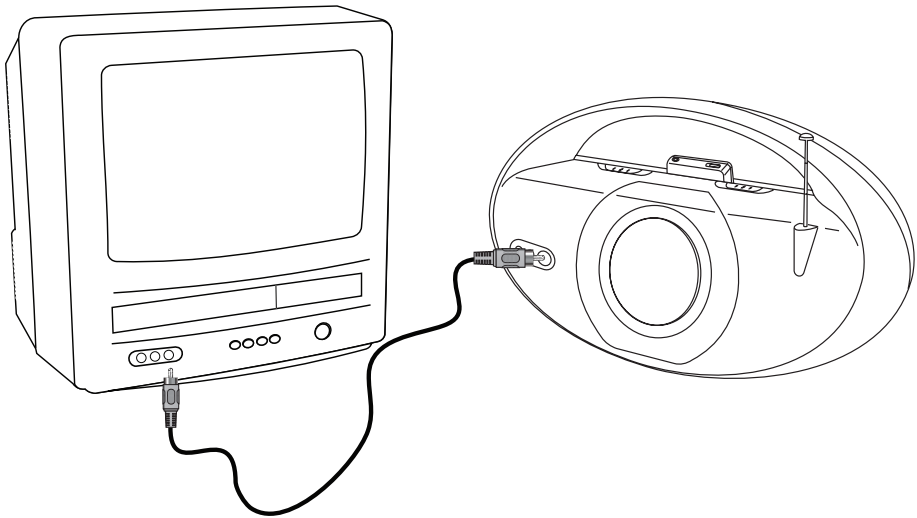
21. Where the AC plug or an appliance coupler is used as the disconnect device, the disconnect device shall remain readily operable.

22. Ventilation: Slots and openings in the cabinet are provided for ventilation and to ensure reliable operation of the product and to protect it from overheating, and these openings must not be blocked or covered. The openings should never be blocked by placing the product on a bed, sofa, rug, or other similar surface. This product should not be placed in a built-in installation such as a bookcase or rack unless proper ventilation is provided or the manufacturer's instructions have been adhered to.

23. Protective Attachment Plug: The product is equipped with an attachment plug having overload protection. This is a safety feature. See Instruction Manual for replacement or resetting of protective device. If replacement of the plug is required, be sure the service technician has used a replacement plug specified by the manufacturer that has the same overload protection as the original plug.

24. Power Lines: An outside antenna system should not be located in the vicinity of overhead power lines or other electric light or power circuits, or where it can fall into such power lines or circuits. When installing an outside antenna system, extreme care should be taken to keep from touching such power lines or circuits as contact with them might be fatal.

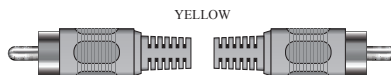
Video Out Connection Guide



From Unit

To Television

Connect to the video output connection.



Connect to the video input connection.

• *Be sure to select the appropriate Video Input on the Television set.*

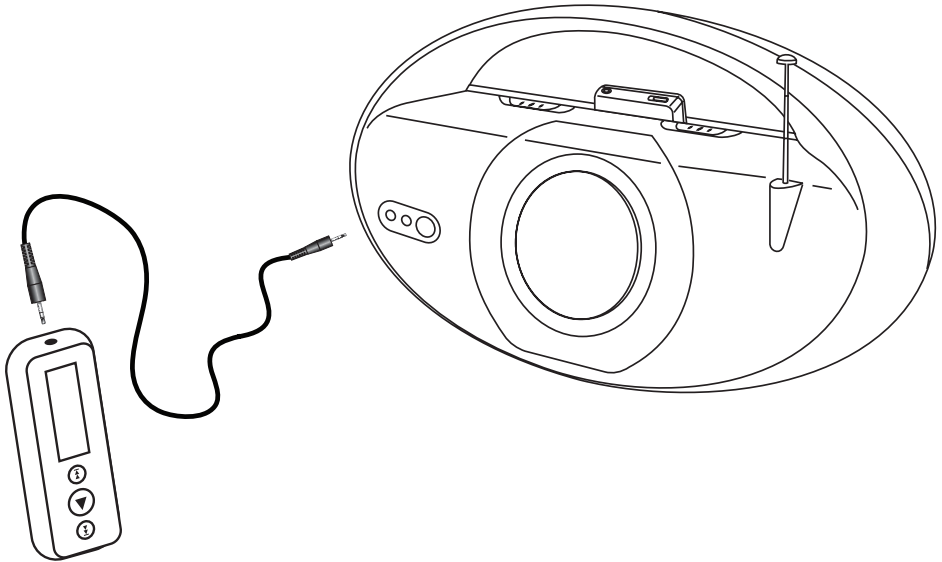
Viewing Video or Photos from your iPod on an External Device

a. Using a video cable, connect an external device such as a TV to the Video Out port on the player.

b. Insert your iPod with video or photo capabilities into the iPod Docking Station with the appropriate insert.

c. After your iPod Video is seated properly in the docking station, you will now be able to control your iPod from the player's control panel. Using the PLAY/PAUSE, NEXT/SEARCH/MIN., and PREV/SEARCH/HR. buttons you can move from one video or photograph to the next, play, and pause.

Audio In Connection Guide



From Unit

To an External
Audio Player

Connect to the Aux In or
Line In jack.



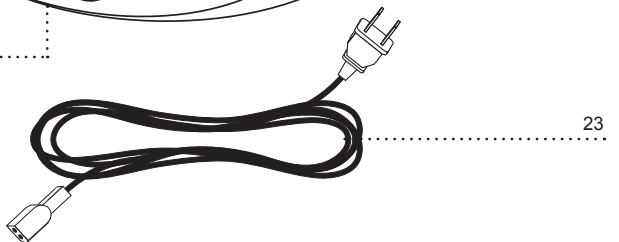
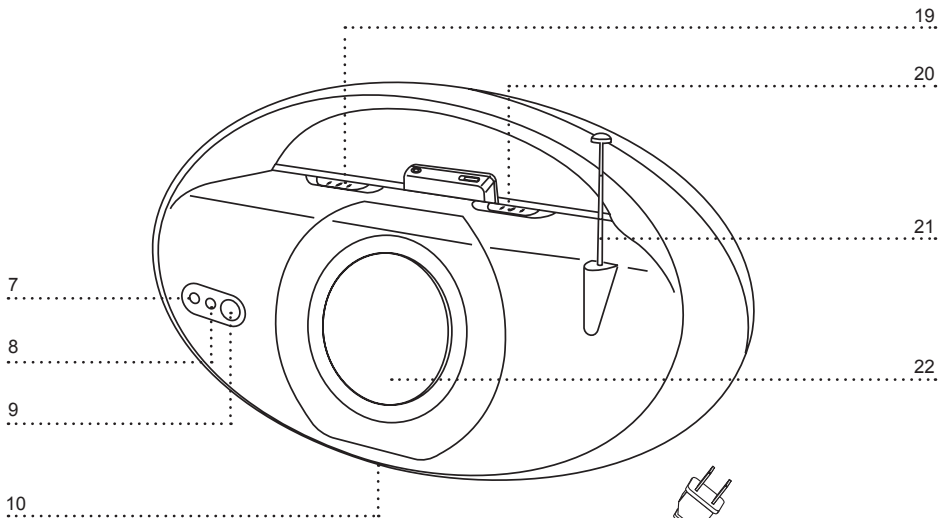
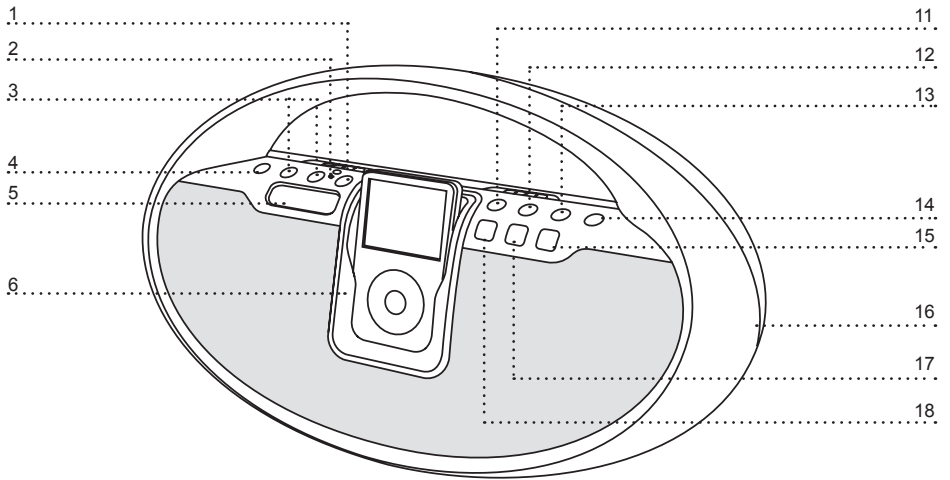
Connect to the headphone
jack.

- *The unit must be set to AUX in order for the external audio device to play through the unit's speakers.*

Connecting Other Digital Audio Devices

- Use a line-in cord to connect an iPod shuffle or other audio device to the line-in port.
- Toggle the AM-FM-CD-iPOD/AUX switch to iPOD/AUX to activate the line-in.
- The iPod shuffle or other audio device will now play through the speakers of the player.

Features Defined



Features Defined

- 1 **DBBS** Press the DBBS button to activate the Dynamic Bass Boost System.

- 2 **DBBS Indicator** Indicates when the DBBS is activated.

- 3 **VOLUME** Press the up arrow to increase the volume, and the down arrow to decrease volume.

- 4 **POWER** Press the POWER button to turn the player on.

- 5 **LCD Display** View the Time, AM Indicator, PM Indicator, iPod Indicator, Radio Frequency, and CD Indicator (“--”) through this Liquid Crystal Display.

- 6 **iPod Docking Station** Connect your iPod, iPod mini, or iPod nano.

- 7 **Line-In** Use the line-in jack to connect an iPod shuffle, or other audio device to the player.

- 8 **Line-Out** Use the Line-Out jack to connect the player to external speakers.

- 9 **Video Out (Composite)** Use the Video Output connection to send a composite video signal from the unit to a TV. (Requires a RCA Cable, not included)

- 10 **Battery Compartment** (Requires 8 C-Size Batteries, not included)

- 11 **CLK SET** Press the CLK SET button to activate the clock adjust. Use this button in conjunction with the PREV/SEARCH/HR. and NEXT/SEARCH/MIN. buttons to set the clock.

- 12 **PREV/SEARCH/HR.** Press the PREV/SEARCH/HR. button to adjust the hour when setting the clock, skip to the previous track on a CD or iPod. Press and hold the PREV/SEARCH/MIN. button to search backwards through a track on a CD or iPod.

- 13 **NEXT/SEARCH/MIN.** Press the NEXT/SEARCH/MIN. button to adjust the minute when setting the clock, skip to the next track on a CD or iPod. Press and hold the NEXT/SEARCH/MIN. button to search forwards through a track on a CD or iPod.

- 14 **PROG** Press the PROG button, select a track, then press the PROG button again to program CD tracks in a specified order.

- 15 **PLAY/PAUSE** Press the PLAY/PAUSE button to play or pause an iPod.

- 16 **TUNING** Turn the TUNING dial to adjust the frequency of the AM and FM radio.

- 17 **STOP** Press the STOP button to stop a CD track during play.

- 18 **REPEAT** Press the REPEAT button to activate REP (repeat one song), or REP ALL (repeat all songs).

- 19 **AM/FM ST/CD/IPOD-AUX** Toggle the AM/FM/CD/IPOD-AUX switch to cycle between AM, FM, CD, and IPOD-AUX modes.

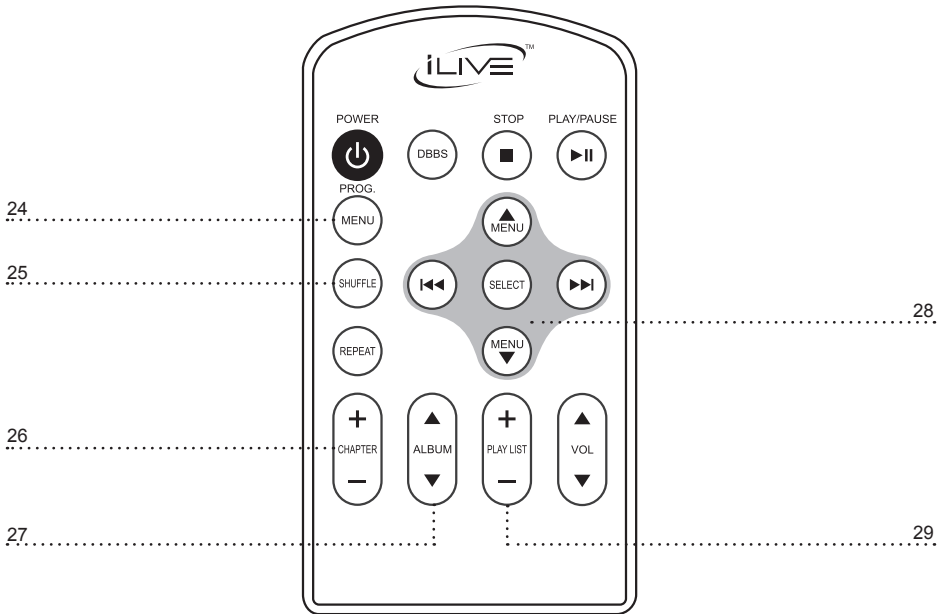
- 20 **CD OPEN** Toggle the CD OPEN switch to open the CD Door.

- 21 **FM Antenna** The FM extendable antenna provides flexibility and range when adjusting the FM reception. An AM Antenna is built into the player.

- 22 **CD Door** Open using the CD OPEN switch.

- 23 **AC Cord** (120V / 60 Hz) The detachable AC (Alternating Current) Cord provides power to the player.

Peripherals



iPod Inserts

Bracket #	iPod Model/Capacity
1	iPod nano (first generation)
2	iPod nano (second generation)
3	iPod mini 4GB & 6GB
4	iPod with video 30GB (fifth generation)
5	iPod (fourth generation), iPod photo 20GB & 30GB, and iPod : U2 Special Edition 20GB
6	iPod with video 60GB & 80GB (fifth generation), and iPod 40GB (fourth generation)
Without Bracket	iPod photo, and iPod with color display 40GB & 60GB.

Peripherals Defined

- 24 MENU/PROG** Press the MENU/PROG button to enter the menu on an iPod.
-
- 25 SHUFFLE** Press the SHUFFLE button to randomly play songs on an iPod.
-
- 26 CHAPTER** Press up on the CHAPTER button to increase the chapter number, or press down on the CHAPTER button to decrease the chapter number.
-
- 27 ALBUM** Press up on the ALBUM button to increase the album number, or press down on the ALBUM button to decrease the album number.
-
- 28 Navigation Controls/SELECT** Use the Navigation Controls to move through an iPod menu system. Press the SELECT button to select a song, photo, or video on your iPod.
-
- 29 PLAYLIST** Press up on the PLAYLIST button to cycle up through the playlists on an iPod, or press down on the PLAYLIST button to cycle down through the playlists on an iPod.
-

Operations

Setting the Clock

- a. Press and hold the CLK SET button.
- b. While holding the CLK SET button, press the PREV/SEARCH/HR. button to cycle up through the hours. Press the NEXT/SEARCH/MIN. button to cycle up through the minutes
- c. Release the CLK SET button to set the specified time.

Listening to the Radio

- a. Toggle the AM / FM ST / CD / IPOD (AUX) switch to AM or FM ST.
- b. Use the TUNING dial to adjust the AM or FM radio frequency.
 - *The Radio Frequency will display on the LCD Display.*
 - *Extend the FM Antenna for better FM reception. To improve the AM reception, adjust the position of the entire unit, as an AM antenna is built into the unit.*

Listening to a CD

- a. Toggle the AM / FM ST / CD / IPOD (AUX) switch to CD.
- b. Use CD OPEN switch to open the CD Door. Insert a CD here, label-side facing out, then close the CD Door.
- c. Press the PLAY button to begin playing the loaded CD.

Programming a CD

- *When in Program Mode, "PROG" will blink continuously on the LCD Display.*
- a. Toggle the AM / FM ST / CD / IPOD (AUX) switch to CD.
 - b. Use CD Open switch to open the CD Door. Insert a CD here, label-side facing out.
 - c. Press the PROGRAM button.
 - *A number will begin blinking on the LCD Display. This indicates the order of the tracks to be played. For instance, if a 01 is blinking, then the track you select will be the first to be played.*
 - d. Press the PREV/SEARCH and NEXT/SEARCH buttons to search the CD tracks. Press PROGRAM once the desired track is found.
 - *Once you press the PREV/SEARCH or NEXT/SEARCH buttons, the blinking number will change to a number that is not blinking. This number indicates the CD track.*
 - *Repeat this step to program up to 20 CD tracks.*
 - e. Once the desired tracks are programmed, press the PLAY button to begin playing the programmed tracks.

Operations

Viewing Video or Photos from your iPod on an External Device

- a.** Using a video cable, connect an external device such as a TV to the Video Out port on the player.
- b.** Insert your iPod with video or photo capabilities into the iPod Docking Station with the appropriate insert.
- c.** After your iPod Video is seated properly in the docking station, you will now be able to control your iPod from the player's control panel. Using the PLAY/PAUSE, NEXT/SEARCH/MIN., and PREV/SEARCH/HR. buttons you can move from one video or photograph to the next, play, and pause.

Connecting Other Digital Audio Devices

- a.** Use a line-in cord to connect an iPod shuffle or other audio device to the line-in port.
- b.** Toggle the AM-FM-CD-iPOD/AUX switch to iPOD/AUX to activate the line-in.
- c.** The iPod shuffle or other audio device will now play through the speakers of the player.



Service Information

Address 2116 Carr Street, St. Louis MO, 63106

Phone 1-314-621-2881

Fax 1-314-588-1805

Email customerservice@ilive.net

Website www.ilive.net

To download this Instruction Manual in English, Spanish, or French visit the Support section at www.ilive.net.

Para descargar este manual de instrucción en inglés, español, o francés visite la sección de la ayuda en www.ilive.net.

Pour télécharger ce manuel d'instruction en anglais, espagnol, ou le Français visitez la section de soutien à www.ilive.net.

Free Manuals Download Website

<http://myh66.com>

<http://usermanuals.us>

<http://www.somanuals.com>

<http://www.4manuals.cc>

<http://www.manual-lib.com>

<http://www.404manual.com>

<http://www.luxmanual.com>

<http://aubethermostatmanual.com>

Golf course search by state

<http://golfingnear.com>

Email search by domain

<http://emailbydomain.com>

Auto manuals search

<http://auto.somanuals.com>

TV manuals search

<http://tv.somanuals.com>