

# ISP209B

## Portable Speaker for iPod and iPhone



## TABLE OF CONTENTS

Warnings and Precautions.....	2
In the Box.....	3
Features.....	4
Powering the Unit & Changing the Remote Battery .....	5
Docking an iPod or iPhone & Playing a docked iPod or iPhone.....	6
Setting the Time & Setting the Alarm.....	7
Using the Auxiliary Input & Using the Audio/Video Output .....	7
Locations of Controls & Control Definitions .....	8-11
Parts & Service Information .....	12

# Warnings and Precautions

---



This symbol, located on back or bottom of the unit, is intended to alert the user to the presence of uninsulated “dangerous voltage” within the product’s enclosure that may be of sufficient magnitude to constitute a risk of electric shock to persons.



This symbol, located on back or bottom of the unit, is intended to alert the user to the presence of important operating and maintenance (servicing) instructions in the literature accompanying the appliance.

**CAUTION:** TO PREVENT ELECTRIC SHOCK, MATCH WIDE BLADE OF PLUG TO WIDE SLOT, FULLY INSERT.

To reduce the risk of electric shock, do not remove cover (or back). There are no user-serviceable parts inside. Please refer any servicing to qualified service personnel.

**WARNING:** Changes or modifications to this unit not expressly approved by the party responsible for compliance could void the user’s authority to operate the equipment.

**WARNING:** To prevent fire or shock hazards, do not expose this unit to rain or moisture.

**WARNING:** Danger of explosion if the remote control’s batteries are incorrectly installed. Replace only with the same or equivalent battery.

**WARNING:** The remote control’s button cell battery contains mercury. Do not put in the trash, instead recycle or dispose of as hazardous waste

**WARNING:** Use of this unit near fluorescent lighting may cause interference regarding use of the remote. If the unit is displaying erratic behavior move away from any fluorescent lighting, as it may be the cause.

Do not mix old and new batteries.

Do not mix alkaline, standard (carbon-zinc), or rechargeable (ni-cad, ni-mh, etc) batteries.

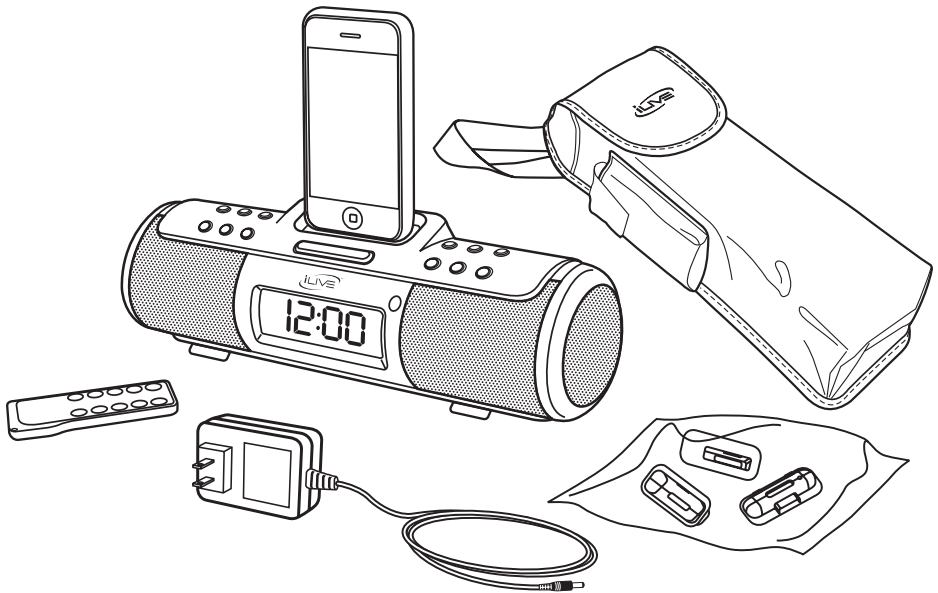
**NOTE:** This equipment has been tested and found to comply with the limits for a Class B digital device, pursuant to Part 15 of the FCC Rules. These limits are designed to provide reasonable protection against harmful interference in a residential installation. This equipment generates, uses, and can radiate radio frequency energy and, if not installed and used in accordance with the instructions, may cause harmful interference to radio communications. However, there is no guarantee that interference will not occur in a particular installation. If this equipment does cause harmful interference to radio or television reception, which can be determined by turning the equipment off and on, the user is encouraged to try to correct the interference by one or more of the following measures:

- Reorient or relocate the receiving antenna.
- Increase the separation between the equipment and receiver.
- Connect the equipment into an outlet on a circuit different from that to which the receiver is connected.
- Consult the dealer or an experienced radio/TV technician for help.

# In the Box

---

- ISP209B
  - AC/DC Adaptor
  - Docking Brackets for iPod
  - Remote Control, and Remote Battery
  - Carrying Case
  - Documentation
- 



# Features

---

## **iPod® / iPhone Docking Station**

---

- Certified iPod Connector installed for iPod docking
  - Recharge Circuit for iPod/mini/nano/photo/video/iPhone
  - Includes docking brackets to fit iPod players
  - Controls Connected iPod players
  - iPod Authentication IC installed
- 

## **Built-In Amplified Speakers**

---

- Digital Volume Control
- 

## **Jacks**

---

- Aux-In Jack for shuffle and other Audio Players, 3.5mm type
  - A/V Output Jack
- 

## **0.9" LCD Display with White Backlight**

---

- Clock with Adjustable Sleep Timer
  - Dual Alarm
  - Gradual Wake
  - Wake to iPod or Buzzer
  - Battery Backup keeps time during power outage, Back-Up Battery (not included)
- 

## **AC/DC Powered:**

---

- DC: Uses 4 AA Batteries, (not included)
  - AC: 120V AC/DC Adaptor, UL Listed, included
  - Uses 2 AAA Batteries for Clock Time Back-Up, Batteries (not included)
- 

## **Remote**

---

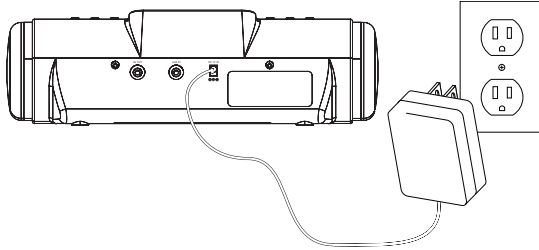
- Controls Docked iPod & Unit Functions
  - Uses Button Cell Battery
-

## Powering the Unit

---

To power the unit, plug the included AC/DC adapter into a standard AC outlet (120V~60Hz)

---

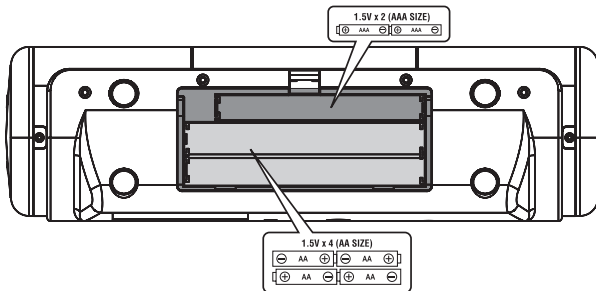


The unit can also be powered by inserting 4 AA batteries into the battery compartment.

---

The backup feature for the clock is powered by inserting 2 AAA batteries into the battery compartment.

---



## Changing the Remote Battery

---

To change the remote battery, slide the battery compartment out of the remote, and replace the CR2025 battery with an equivalent battery.

---



## Docking an iPod or iPhone

---

**Step 1:** Locate the numbered bracket that fits the iPod or iPhone that will be docked.

- *Each included bracket has a number on it, indicating which iPod or iPhone model that bracket is compatible with. See the separate bracket chart page to identify which bracket is needed.*

**Step 2:** Snap the bracket into place over the iPod/iPhone connector in the docking station.

- *All brackets will only fit one way onto the dock.*

**Step 3:** Connect the iPod or iPhone to the iPod/iPhone connector inside the docking station.

- *Once an iPod or iPhone is connected to the docking station, the unit will amplify and charge the docked iPod or iPhone.*
- *If the unit is running on battery power, it will not charge a docked iPod or iPhone.*

## Playing a docked iPod or iPhone

---

**Step 1:** Dock an iPod or iPhone into the docking station.

**Step 2:** Press the **Power/Alarm Off Button** to turn the unit on.

**Step 3:** Adjust the **Source Button** to switch to *iPod Mode*.

**Step 4:** Press the **Play/Pause Button** to play or pause the docked iPod.

## Setting the Time

---

**Step 1:** Press the **Power/Alarm Off Button** to turn the unit off.

**Step 2:** Press and hold the **Time/Menu Button**.

**Step 3:** While holding the **Time/Menu Button**, press the **Up/Hour & Down/Minute Buttons** to adjust the hour and minute.

**Step 4:** Release the **Time/Menu Button** to set the adjusted time.

## Setting the Alarm

---

- Step 1:** Press the **Power/Alarm Off Button** to turn the unit off.
- 
- Step 2:** Press and hold the one of the **Alarm/Menu Navigation Buttons**.
- 
- Step 3:** While holding one of the **Alarm/Menu Navigation Buttons**, press the **Up/Hour & Down/Minute Buttons** to adjust the hour and minute.
- 
- Step 4:** Press the **Source Button** to select the alarm source; *iPod Mode, Buzzer*, or cancel the alarm.
- 
- Step 5:** Release the **Alarm/Menu Navigation Buttons** to set the adjusted alarm.
- 

## Using the Auxiliary Input

---

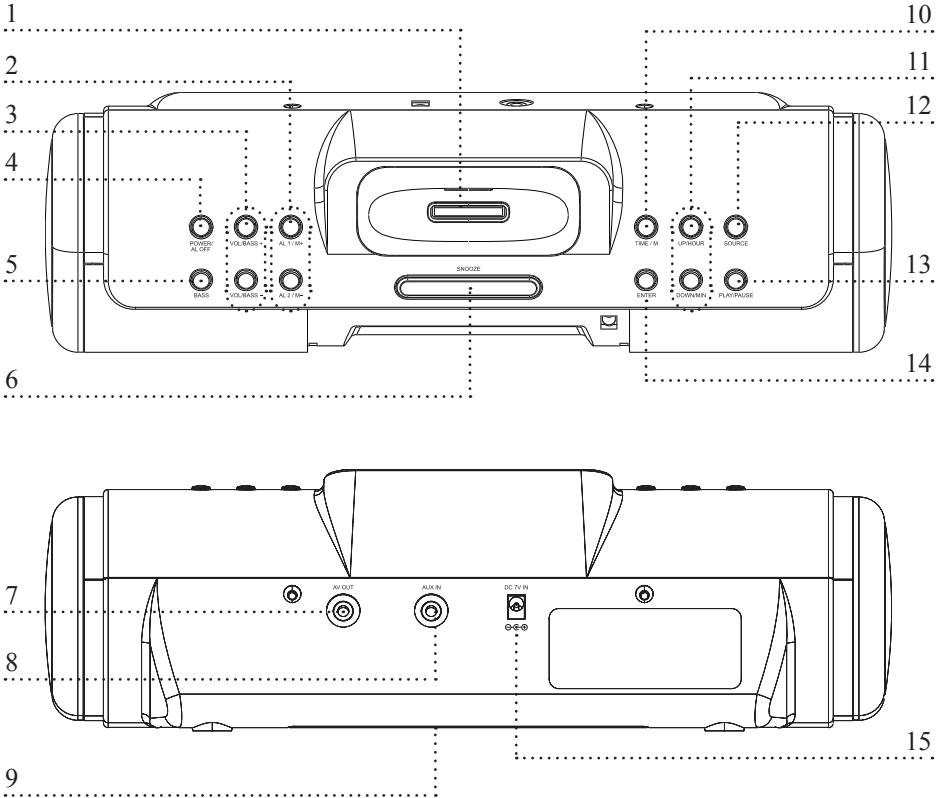
- Step 1:** Connect a mini-phono 3.5mm cable (not included) to the **Auxiliary Input** on the unit and the audio output on an MP3 player.
- 
- Step 2:** Turn the unit on by pressing the **Power/Alarm Off Button**.
- 
- Step 3:** Press the **Source Button** to switch the unit to *Aux Mode*.
- 
- Step 4:** Audio played through the connected MP3 player will now be heard through the unit.
- 

## Using the Audio/Video Output

---

- Step 1:** Connect a mini-phono 3.5mm to RCA cable (not included) to the **Audio/Video Output** and an external set of speakers or a television.
- 
- Step 2:** Turn the unit on by pressing the **Power/Alarm Off Button**.
- 
- Step 3:** Dock an iPod or iPhone.
- 
- Step 4:** Press the **Source Button** to switch to *iPod Mode*.
- 
- Step 5:** Audio and video played through the docked iPod or iPhone will now play on the connected speakers or television.
-

# Locations of Controls



## 1. Dock for iPod/iPhone

Use the Dock for iPod/iPhone, with the correct bracket, to dock an iPod or iPhone to the unit.

## 2. Alarm/Menu Navigation Buttons

Press and hold the Alarm/Menu Navigation Buttons, with the unit powered off, to set alarm 1 or 2.

Press the Alarm/Menu Navigation Buttons to move up and down through the menu of a docked iPod.

## 3. Volume/Bass Buttons

Press the Volume/Bass Buttons to adjust the levels of volume or bass output from the unit's speakers.

## 4. Power/Alarm Off Button

Press the Power/Alarm Off Button to power the unit off or on, and to turn the alarm off after it sounds.



# Control Definitions

---

**5. Bass Button**

Press the Bass Button to allow the levels of bass to be adjusted.

---

**6. Snooze Button**

Press the Snooze Button to delay the alarm after it has sounded.

---

Press the Snooze Button with the unit powered on to set the sleep timer.

---

**7. Audio/Video Output**

Use the Audio/Video Output to connect the unit to a television or external speakers.

---

**8. Auxiliary Input**

Use the Auxiliary Input to connect an external audio source to the unit.

---

**9. Battery Compartment (Requires 4 AA Batteries and 2 AAA Batteries, not included)**

---

**10. Time/Menu Button**

Press and hold the Time/Menu Button, with the unit powered off, to set the clock.

---

Press the Time/Menu Button to move to the previous menu on a docked iPod or iPhone.

---

**11. Up/Hour & Down/Minute Buttons**

Press the Up/Hour & Down/Minute Buttons to skip and search through songs on a docked iPod or iPhone. Press the Up/Hour & Down/Minute Buttons to adjust the hour and minute when setting the clock.

---

**12. Source Button**

Press the Source Button to switch between *iPod Mode* and *Aux Mode*.

---

**13. Play/Pause Button**

Press the Play/Pause Button to play or pause a docked iPod or iPhone.

---

**14. Enter Button**

Press the Enter Button to make selection on a docked iPod or iPhone.

---

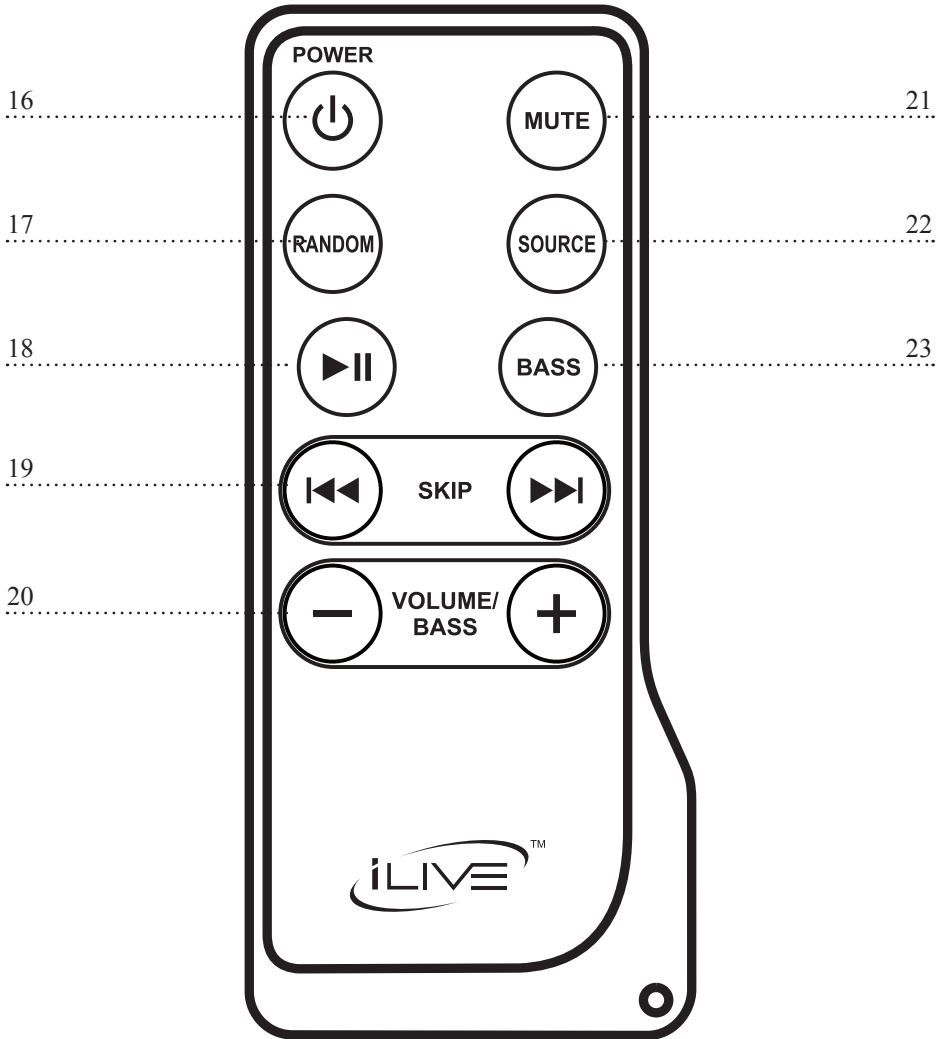
**15. DC Power Input**

Use the DC Power Input to connect the unit to a power source.

---

# Locations of Controls

---



# Control Definitions

---

**16. Power Button**

Press the Power Button to turn the unit off and on.

---

**17. Random Button**

Press the Random Button to activate the *Shuffle Mode* on a docked iPod or iPhone.

---

**18. Play/Pause Button**

Press the Play/Pause Button to play or pause a docked iPod or iPhone.

---

**19. Skip/Search Buttons**

Press the Skip/Search Buttons to skip or search through songs on a docked iPod or iPhone.

---

**20. Volume/Bass Buttons**

Press the Volume/Bass Buttons to adjust the levels of volume or bass output from the unit's speakers.

---

**21. Mute Button**

Press the Mute Button to mute the volume on the unit.

---

**22. Source Button**

Press the Source Button to switch between *iPod Mode* and *Aux Mode*.

---

**23. Bass Button**

Press the Bass Button to allow the levels of bass to be adjusted.

---



## Parts Information

---

**Address:** 2116 Carr Street, St. Louis MO, 63106  
**Phone:** 1-314-621-2881  
**Fax:** 1-314-588-1805  
**Email:** [partsinfo@dpi-global.com](mailto:partsinfo@dpi-global.com)

## Service Information

---

**Address:** 2116 Carr Street, St. Louis MO, 63106  
**Phone:** 1-314-621-2881  
**Fax:** 1-314-588-1805  
**Email:** [customerservice@ilive.net](mailto:customerservice@ilive.net)  
**Website:** [www.ilive.net](http://www.ilive.net)  
**Version:** v. 112408

To download this Instruction Manual in English, Spanish, or French visit the Support section at [www.ilive.net](http://www.ilive.net).

Para descargar este manual de instrucción en inglés, español, o francés visite la sección de la ayuda en [www.ilive.net](http://www.ilive.net).

Pour télécharger ce manuel d'instruction en anglais, espagnol, ou le Français visitez la section de soutien à [www.ilive.net](http://www.ilive.net).

## Free Manuals Download Website

<http://myh66.com>

<http://usermanuals.us>

<http://www.somanuals.com>

<http://www.4manuals.cc>

<http://www.manual-lib.com>

<http://www.404manual.com>

<http://www.luxmanual.com>

<http://aubethermostatmanual.com>

Golf course search by state

<http://golfingnear.com>

Email search by domain

<http://emailbydomain.com>

Auto manuals search

<http://auto.somanuals.com>

TV manuals search

<http://tv.somanuals.com>