



MODEL H8091 3½ Ton Quick Pump Garage Jack

Specifications

Maximum Lifting Capacity7000 lbs.
Lifting Range4¾"–14⅝"
Weight83 lbs.

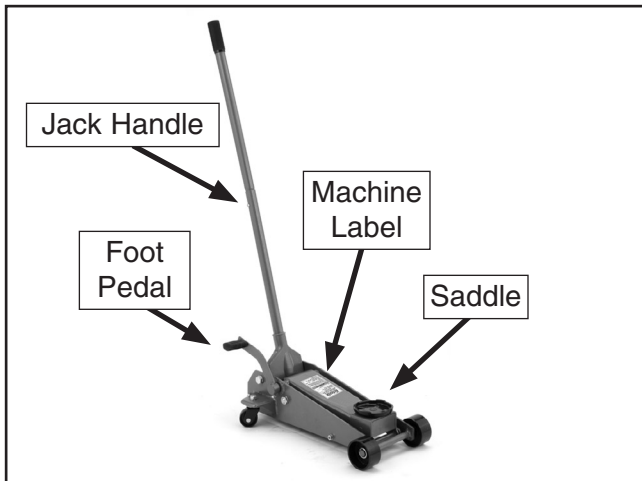


Figure 1. Model H8091 Identification.

Operation

To raise the saddle gradually:

Turn the jack handle clockwise as far as it will turn and pump the handle up and down. Turning the handle clockwise will close the release valve (see **Figure 2**).

To raise the saddle quickly:

With the jack handle turned fully clockwise, push the foot pedal down and release it slowly. Each pump of the pedal will raise the saddle approximately one-third of its full range.

To lower the saddle:

Slowly turn the jack handle counterclockwise.

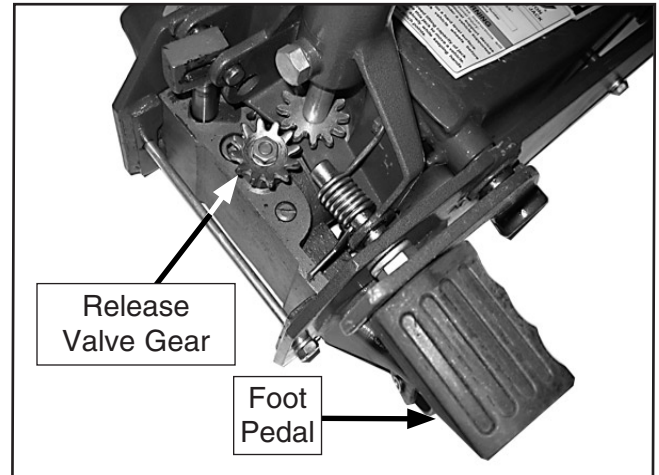


Figure 2. Pump pedal and release valve gear.

!WARNING

Failure to follow these instructions could result in serious personal injury or death:

1. **DO NOT** overload this jack beyond its rated capacity. Overloading can cause the jack to collapse and drop the load.
2. **ALWAYS** support the vehicle with appropriately rated support stands before working under it.
3. **DO NOT** attempt to move the vehicle while the jack is in use.
4. Use only on hard level surfaces like concrete or asphalt. Other surfaces are potentially unstable.
5. Center the load on the jack to maintain proper balance and stability.
6. **DO NOT** use jack if it begins leaking fluid or if it sinks when placed under load. These are indications that the jack needs to be immediately serviced.

If you need help with the Model H8091, call our Technical Support line at: (570) 546-9663.

COPYRIGHT © DECEMBER, 2006 BY GRIZZLY INDUSTRIAL, INC.
WARNING: NO PORTION OF THIS MANUAL MAY BE REPRODUCED IN ANY SHAPE OR FORM WITHOUT THE WRITTEN APPROVAL OF GRIZZLY INDUSTRIAL, INC.
#JC8822 PRINTED IN CHINA

Maintenance

Keep the hydraulic rams clean and free of any dust, dirt, or foreign debris. Abrasive material stuck to the ram can damage the hydraulic seal when the ram is retracted back into the jack. Regularly wipe the hydraulic rams clean with a lightly oiled rag.

The Model H8091 will require hydraulic fluid after long-term use. This will be noticeable if the jack will not reach its maximum height when pumped. Only use a high quality hydraulic fluid.

To add hydraulic fluid:

1. Completely lower the jack.
2. Remove the fill plug shown in **Figure 3**.

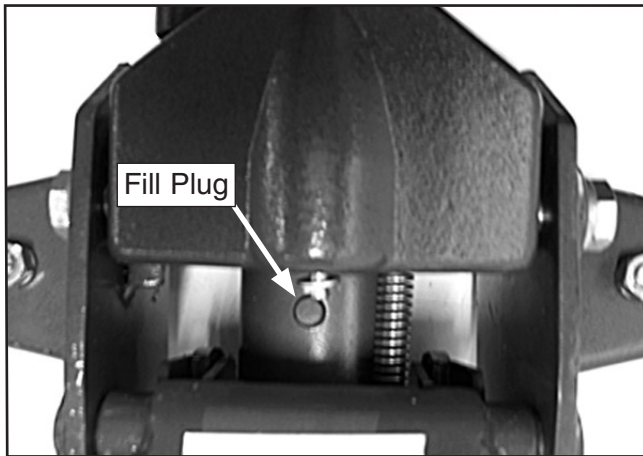


Figure 3. Fill plug.

3. Add fluid until it reaches the top of the fill plug hole.
4. Replace the fill plug.
5. Test the operation of the jack by pumping it up to the maximum height and applying a load to the saddle. The jack should hold the weight of the load without a sinking or spongy feeling.

—If the jack did not perform properly, then air may need to be bled from the pump system.

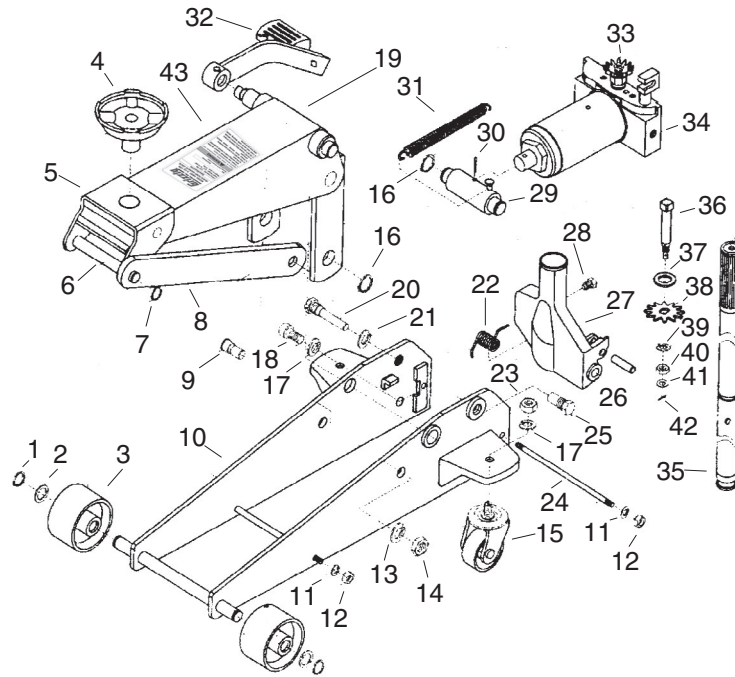
Bleeding the Air

If the jack becomes spongy or will not rise when pumped, then air bubbles may be in the hydraulic system. These air bubbles must be 'bled' from the hydraulic fluid before the jack can be safely operated.

To remove the air bubbles:

1. Remove the fill plug.
2. Rotate the handle counterclockwise until it stops.
3. Pump the jack handle rapidly to force the air bubbles out through the fill hole. When the air bubbles and fluid stop coming out, put the fill plug back.
4. Repeat **Step 3** as many times as needed until the air bubbles stop coming out in the hydraulic fluid.

H8091 Main Parts Breakdown



REF PART # DESCRIPTION

1	PR09M	EXT RETAINING RING 20MM
2	PW13M	FLAT WASHER 20MM
3	PH8091003	FRONT WHEEL
4	PH8091004	SADDLE
5	PH8091005	SADDLE BASE
6	PH8091006	SADDLE BASE AXIS
7	PR06M	EXT RETAINING RING 16MM
8	PH8091008	LINK ROD
9	PH8091009	LINKING BOLT
10	PH8091010	SIDE FRAME
11	PLW04M	LOCK WASHER 8MM
12	PN03M	HEX NUT M8-1.25
13	PLW10M	LOCK WASHER 16MM
14	PH8091014	HEX NUT M16-1.75
15	PH8091015	REAR WHEEL ASSEMBLY
16	PR11M	EXT RETAINING RING 25MM
17	PLW05M	LOCK WASHER 12MM
18	PB25M	HEX BOLT M12-1.75 X 25
19	PH8091019	LIFTING ARM
20	PH8091020	SPECIAL BOLT (RIGHT)
21	PLW12M	LOCK WASHER 18MM
22	PH8091022	TORSION SPRING

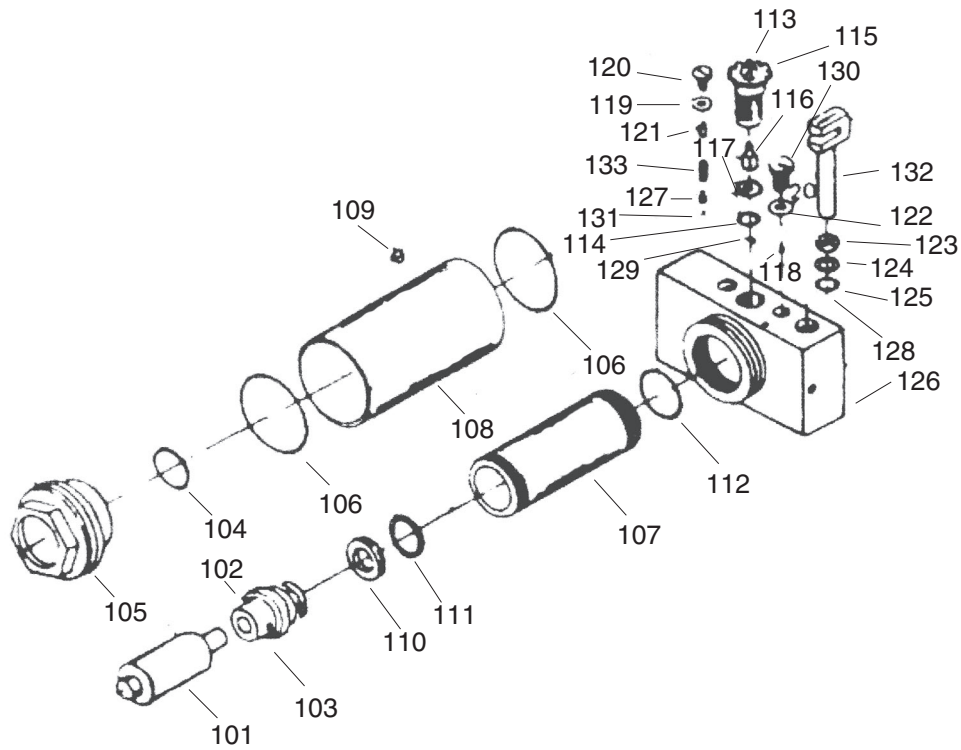
REF PART # DESCRIPTION

23	PH8091014	HEX NUT M16-1.75
24	PH8091024	LINKING SHAFT
25	PH8091025	SPECIAL BOLT (LEFT)
26	PH8091026	PUMP CORE PIN
27	PH8091027	HANDLE SOCKET
28	PH8091028	HANDLE SOCKET SCREW
29	PH8091029	LINKING BLOCK
30	PH8091030	COTTER PIN 4 X 47MM
31	PH8091031	PULL SPRING
32	PH8091032	PEDAL BASE
33	PH8091033	GEAR
34	PH8091034	CYLINDER ASSEMBLY
35	PH8091035	HANDLE
36	PH8091036	RATCHET AXIS
37	PW08M	FLAT WASHER 16MM
38	PH8091038	FLAT RATCHET
39	PLW06M	LOCK WASHER 10MM
40	PN08M	HEX NUT M10-1.25
41	PW01M	FLAT WASHER 8MM
42	PH8091042	COTTER PIN 2MM X 12MM
43	PH8091043	MACHINE LABEL

⚠WARNING

The machine label warns about hazards and ways to prevent injury. The owner of the jack **MUST** maintain the original location and readability of the label. If the label is removed or becomes unreadable, contact Grizzly at (800) 523-4777 or www.grizzly.com to order a new label.

H8091 Hydraulic Pump Parts Breakdown



REF	PART #	DESCRIPTION
101	PH8091101	RAM ROD
102	PH8091102	RAM HEAD
103	PH8091103	RAM HEAD PIN
104	PH8091104	O-RING
105	PH8091105	TANK NUT
106	PH8091106	O-RING
107	PH8091107	CYLINDER
108	PH8091108	RESERVOIR
109	PH8091109	OIL FILL PLUG
110	PH8091110	O-RING RETAINER
111	PH8091111	O-RING
112	PH8091112	O-RING
113	PH8091113	GEAR RETAINING NUT
114	PH8091114	O-RING
115	PH8091115	RELEASE VALVE ASSEMBLY
116	PH8091116	ACTUATOR
117	PH8091117	GUIDE PLATE

REF	PART #	DESCRIPTION
118	PH8091118	BALL
119	PH8091119	SEAL WASHER
120	PH8091120	PLUG SCREW
121	PH8091121	OVERLOAD VALVE SCREW
122	PH8091122	WASHER
123	PH8091123	WIPER
124	PH8091124	BACK-UP RING
125	PH8091125	O-RING
126	PH8091126	VALVE BLOCK
127	PH8091127	LEFT PLUNGER
128	PH8091128	BALL - BOTTOM
129	PH8091129	BALL - TOP
130	PH8091130	PLUG SCREW
131	PH8091131	BALL
132	PH8091132	RIGHT PLUNGER
133	PH8091133	SPRING

Free Manuals Download Website

<http://myh66.com>

<http://usermanuals.us>

<http://www.somanuals.com>

<http://www.4manuals.cc>

<http://www.manual-lib.com>

<http://www.404manual.com>

<http://www.luxmanual.com>

<http://aubethermostatmanual.com>

Golf course search by state

<http://golfingnear.com>

Email search by domain

<http://emailbydomain.com>

Auto manuals search

<http://auto.somanuals.com>

TV manuals search

<http://tv.somanuals.com>