



MODEL H8097 2 Ton Aluminum Jack

Specifications

Maximum Lifting Capacity4000 lbs.
Lifting Range4"-17¹/₄"
Weight38 lbs.

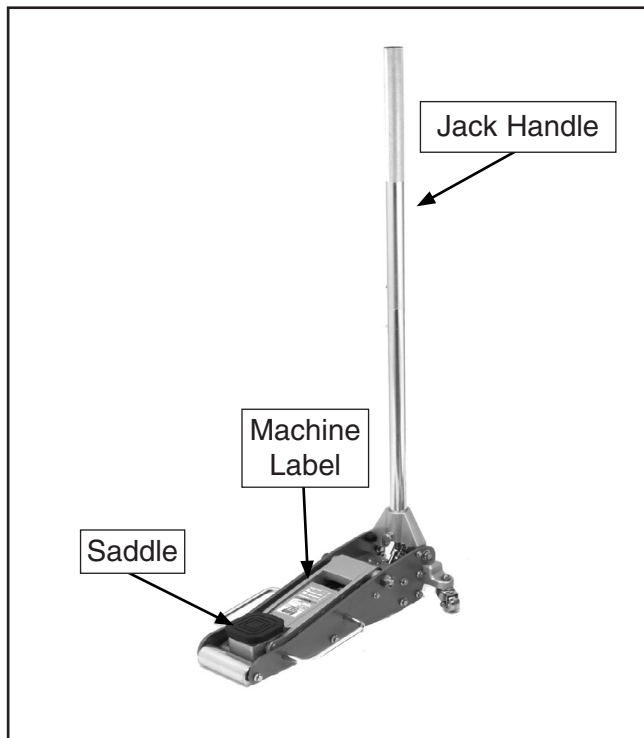


Figure 1. Model H8097 Identification.

Operation

To raise the saddle:

Turn the handle clockwise as far as it will turn and pump the handle up and down. Turning the handle clockwise will close the release valve.

To lower the saddle:

Slowly turn the jack handle counterclockwise.

⚠WARNING

Failure to follow these instructions could result in serious personal injury or death:

1. **DO NOT** overload this jack beyond its rated capacity. Overloading can cause the jack to collapse and drop the load.
2. **ALWAYS** support the vehicle with appropriately rated support stands before working under it.
3. **DO NOT** attempt to move the vehicle while the jack is in use.
4. Use only on hard level surfaces like concrete or asphalt. Other surfaces are potentially unstable.
5. Center the load on the jack to maintain proper balance and stability.
6. **DO NOT** use jack if it begins leaking fluid or if it sinks when placed under load. These are indications that the jack needs to be immediately serviced.

If you need help with the Model H8097, call our Technical Support line at: (570) 546-9663.

COPYRIGHT © DECEMBER, 2006 BY GRIZZLY INDUSTRIAL, INC.
WARNING: NO PORTION OF THIS MANUAL MAY BE REPRODUCED IN ANY SHAPE OR FORM WITHOUT THE WRITTEN APPROVAL OF GRIZZLY INDUSTRIAL, INC.
#JC8828 PRINTED IN CHINA

Maintenance

Keep the hydraulic ram clean and free of any dust, dirt, or foreign debris. Abrasive material stuck to the ram can damage the hydraulic seal when the ram is retracted back into the jack. Regularly wipe the hydraulic ram clean with a lightly oiled rag.

The Model H8097 will require hydraulic fluid after long-term use. This will be noticeable if the jack will not reach its maximum height when pumped. Only use a high quality hydraulic fluid.

To add hydraulic fluid:

1. Completely lower the jack saddle.
2. Remove the fill plug shown in **Figure 3**.

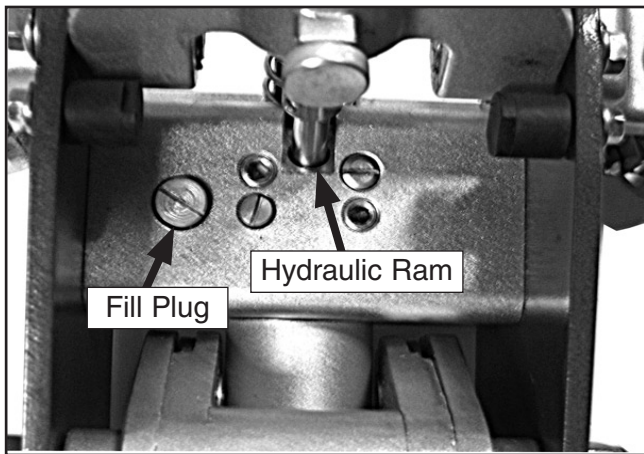


Figure 3. Fill plug.

3. Add fluid until it reaches the top of the fill plug hole.
4. Replace the fill plug.
5. Test the operation of the jack by pumping it up to the maximum height and applying a load to the saddle. The jack should hold the weight of the load without a sinking or spongy feeling.

—If the jack did not perform properly, then air may need to be bled from the pump system.

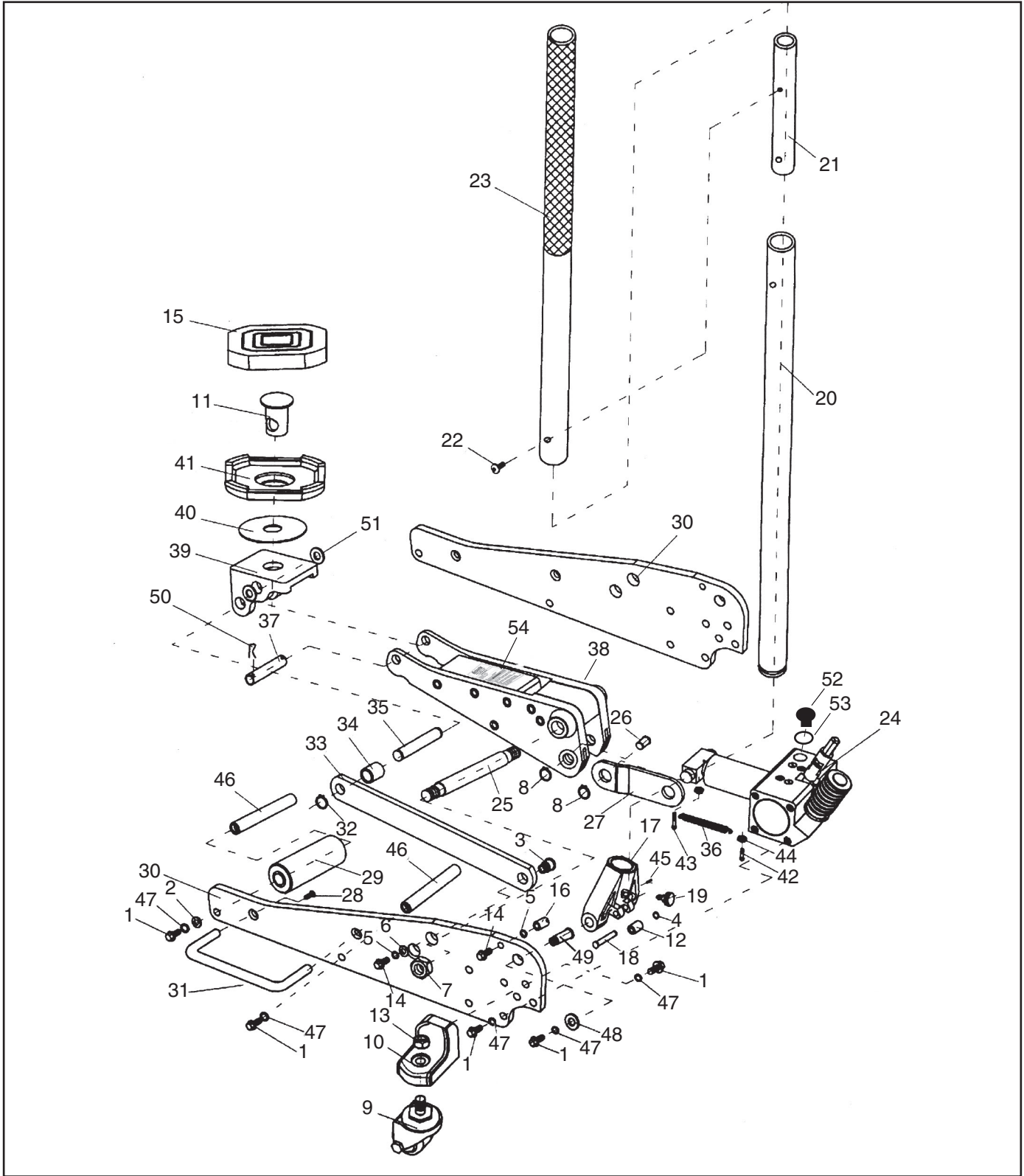
Bleeding the Air

If the jack becomes spongy or will not rise when pumped, then air bubbles may be in the hydraulic system. These air bubbles must be bled from the hydraulic fluid before the jack can be safely operated.

To remove the air bubbles:

1. Rotate the handle counterclockwise five full turns.
2. Place a shop rag around and under the oil fill hole.
3. Remove the fill plug.
4. Pump the jack handle rapidly to force the air bubbles out through the fill hole. When the air bubbles stop coming out, add fluid as needed, then put the fill plug back.

H8097 Parts Breakdown



⚠️ WARNING

The machine label warns about hazards and ways to prevent injury. The owner of the jack **MUST** maintain the original location and readability of the label. If the label is removed or becomes unreadable, contact Grizzly at (800) 523-4777 or www.grizzly.com to order a new label.

H8097 Parts List

REF	PART #	DESCRIPTION
1	PH8097001	FLANGE BOLT M10-1.5 X 25
2	PW04M	FLAT WASHER 10MM
3	PH8097003	LINK ROD AXIS
4	PR39M	EXT RETAINING RING 8MM
5	PH8097005	SPECIAL WASHER 8MM
6	PW01M	FLAT WASHER 8MM
7	PH8097007	LOCK NUT M20-1.5
8	PR08M	EXT RETAINING RING 19MM
9	PH8097009	REAR WHEEL SET
10	PH8097010	REAR WHEEL SADDLE
11	PH8097011	HOLDER AXIS
12	PH8097012	DOUBLE PISTON PRESS WHEEL
13	PLN09M	LOCK NUT M12-1.75
14	PH8097014	FLANGE BOLT M8-1.25 X 25
15	PH8097015	RUBBER SADDLE PAD
16	PH8097016	SCREW BUSHING
17	PH8097017	HANDLE BASE
18	PH8097018	PRESS WHEEL SHAFT
19	PH8097019	HANDLE BASE SPECIAL SCREW
20	PH8097020	LOWER HANDLE
21	PH8097021	JOINT CONNECTOR
22	PSBS18M	BUTTON HD CAP SCR M6-1 X 18
23	PH8097023	UPPER HANDLE
24	PH8097024	PUMP ASSEMBLY
25	PH8097025	RAISE ARM AXIS
26	PH8097026	PULL ROD AXIS
27	PH8097027	PULL ROD

REF	PART #	DESCRIPTION
28	PB07M	HEX BOLT M8-1.25 X 25
29	PH8097029	FRONT ROLLER
30	PH8097030	FRAME
31	PH8097031	HANDLE BAR
32	PR06M	EXT RETAINING RING 16MM
33	PH8097033	LINK ROD
34	PH8097034	LINK ROD SLEEVE
35	PH8097035	LONG SADDLE AXIS
36	PH8097036	SPRING
37	PH8097037	SHORT SADDLE AXIS
38	PH8097038	LIFT ARM
39	PH8097039	SADDLE BASE
40	PH8097040	NYLON WASHER
41	PH8097041	SADDLE
42	PH8097042	EYE BOLT M6-1 X 18
43	PH8097043	EYE BOLT M6 -1 X 40
44	PN01M	HEX NUT M6-1
45	PH8097045	SPECIAL NUT 3 X 14MM
46	PH8097046	AXIS
47	PH8097047	SPECIAL WASHER 10MM
48	PW04M	FLAT WASHER 10MM
49	PH8097049	SOCKET SHAFT
50	PH8097050	HAIR PIN COTTER PIN
51	PW08M	FLAT WASHER 16MM
52	PH8097052	OIL FILL PLUG
53	PH8097053	FILL PLUG WASHER
54	PH8097054	MACHINE LABEL

Free Manuals Download Website

<http://myh66.com>

<http://usermanuals.us>

<http://www.somanuals.com>

<http://www.4manuals.cc>

<http://www.manual-lib.com>

<http://www.404manual.com>

<http://www.luxmanual.com>

<http://aubethermostatmanual.com>

Golf course search by state

<http://golfingnear.com>

Email search by domain

<http://emailbydomain.com>

Auto manuals search

<http://auto.somanuals.com>

TV manuals search

<http://tv.somanuals.com>