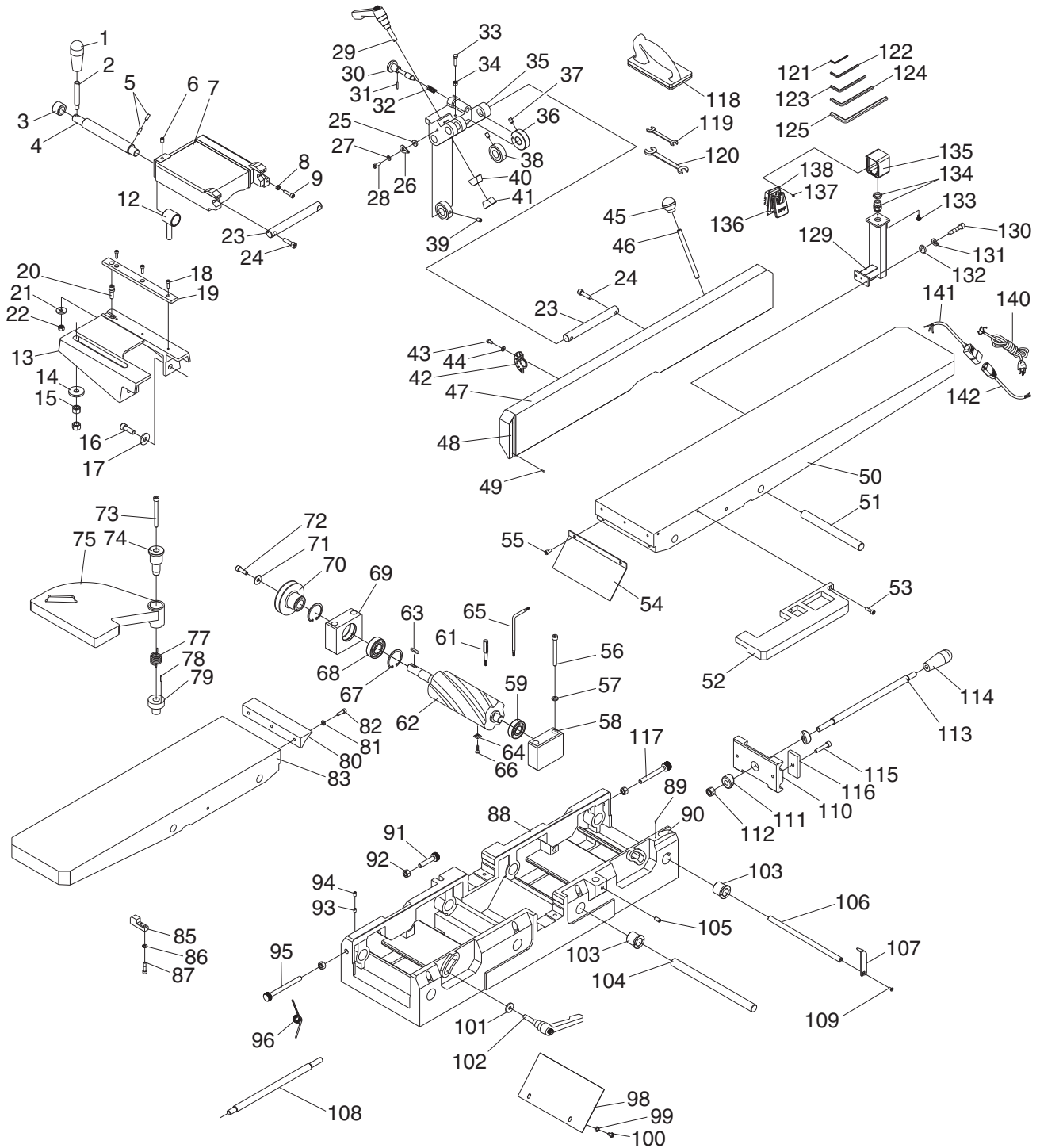


Jointer Breakdown



Jointer Parts List

| REF | PART # | DESCRIPTION |
|-----|----------|-----------------------------|
| 1 | P0604001 | HANDLE 3/8" |
| 2 | P0604002 | STUD |
| 3 | P0604003 | BUSHING |
| 4 | P0604004 | SHAFT |
| 5 | PSS11M | SET SCREW M6-1 X 16 |
| 6 | PSS16M | SET SCREW M8-1.25 X 10 |
| 7 | P0604007 | CARRIAGE |
| 8 | PN01M | HEX NUT M6-1 |
| 9 | PSB06M | CAP SCREW M6-1 X 25 |
| 12 | P0604012 | COLLAR |
| 13 | P0604013 | SUPPORT |
| 14 | PW06M | FLAT WASHER 12MM |
| 15 | PN09M | HEX NUT M12-1.75 |
| 16 | PSB72M | CAP SCREW M10-1.5 X 30 |
| 17 | PW04M | FLAT WASHER 10MM |
| 18 | PSB24M | CAP SCREW M5-.8 X 16 |
| 19 | P0604019 | GIB |
| 20 | P0604020 | ECCENTRIC |
| 21 | PW01M | FLAT WASHER 8MM |
| 22 | PN03M | HEX NUT M8-1.25 |
| 23 | P0604023 | SHAFT |
| 24 | PSB13M | CAP SCREW M8-1.25 X 30 |
| 25 | PW03M | FLAT WASHER 6MM |
| 26 | P0604026 | POINTER |
| 27 | PLW03M | LOCK WASHER 6MM |
| 28 | PSB115M | BUTTON HD CAP SCR M6-1 X 16 |
| 29 | P0604029 | ADJUSTABLE HANDLE |
| 30 | P0604030 | INDEX PIN ASSY |
| 31 | PRP42M | ROLL PIN 3 X 20 |
| 32 | P0604032 | COMPRESSION SPRING |
| 33 | PB10M | HEX BOLT M6-1 X 25 |
| 34 | PN01M | HEX NUT M6-1 |
| 35 | P0604035 | SWIVEL |
| 36 | P0604036 | COLLAR |
| 37 | PSS16M | SET SCREW M8-1.25 X 10 |
| 38 | P0604038 | LOCK |
| 39 | PSS14M | SET SCREW M8-1.25 X 12 |
| 40 | P0604040 | UPPER CLAMP |
| 41 | P0604041 | LOWER CLAMP |
| 42 | P0604042 | SCALE |
| 43 | PS68M | PHLP HD SCR M6-1 X 10 |
| 44 | PW03M | FLAT WASHER 6MM |
| 45 | P0604045 | BALL KNOB 3/8" |
| 46 | P0604046 | STUD |
| 47 | P0604047 | FENCE |
| 48 | P0604048 | SCALE |
| 49 | P0604049 | RIVET |

| REF | PART # | DESCRIPTION |
|-----|-----------|--------------------------------|
| 50 | P0604050 | TABLE RH |
| 51 | P0604051 | TABLE SHAFT |
| 52 | P0604052 | RABBETING TABLE EXT |
| 53 | PSB02M | CAP SCREW M6-1 X 20 |
| 54 | P0604054 | CHIP DEFLECTOR |
| 55 | PSB33M | CAP SCREW M5-.8 X 12 |
| 56 | PSB148M | CAP SCREW M8-1.25 X 80 |
| 57 | PLW04M | LOCK WASHER 8MM |
| 58 | P0604058 | BEARING BLOCK LEFT |
| 59 | P6004 | BALL BEARING 6004ZZ |
| 61 | P0452Z001 | DRIVER BIT TORX T20 |
| 62 | P0452Z011 | SPIRAL CUTTERHEAD 6" |
| 63 | PK74M | KEY 6 X 6 X 35 |
| 64 | P0452Z002 | INDEXABLE INSERT 14 x 14 x 2 |
| 65 | P0452Z009 | L-WRENCH TORX T20 |
| 66 | PFH35M | FLAT HD TORX SCR T20 M6-1 X 15 |
| 67 | PR24M | INT RETAINING RING 42MM |
| 68 | P6004 | BALL BEARING 6004ZZ |
| 69 | P0604069 | BEARING BLOCK RIGHT |
| 70 | P0604070 | CUTTERHEAD PULLEY |
| 71 | PW01M | FLAT WASHER 8MM |
| 72 | PSB31M | CAP SCREW M8-1.25 X 25 |
| 73 | PSB148M | CAP SCREW M8-1.25 X 80 |
| 74 | P0604074 | GUARD CLAMP |
| 75 | P0604075 | CUTTERHEAD GUARD |
| 77 | P0604077 | TORSION SPRING |
| 78 | PRP02M | ROLL PIN 3 X 16 |
| 79 | P0604079 | SUPPORT |
| 80 | P0604080 | TABLE LIP |
| 81 | PW02M | FLAT WASHER 5MM |
| 82 | PSB24M | CAP SCREW M5-.8 X 16 |
| 83 | P0604083 | TABLE LH |
| 85 | P0604085 | BUMPER |
| 86 | PW03M | FLAT WASHER 6MM |
| 87 | PSB07M | CAP SCREW M6-1 X 30 |
| 88 | P0604088 | BASE |
| 89 | P0604089 | RIVET |
| 90 | P0604090 | SCALE |
| 91 | P0490091 | SHORT ADJUSTING SCREW |
| 92 | PN02M | HEX NUT M10-1.5 |
| 93 | PSS01M | SET SCREW M6-1 X 10 |
| 94 | PSS01M | SET SCREW M6-1 X 10 |
| 95 | P0490095 | LONG ADJUSTING SCREW |
| 96 | P0604096 | TORSION SPRING |
| 98 | P0604098 | CHIPBREAKER |
| 99 | PW03M | FLAT WASHER 6MM |



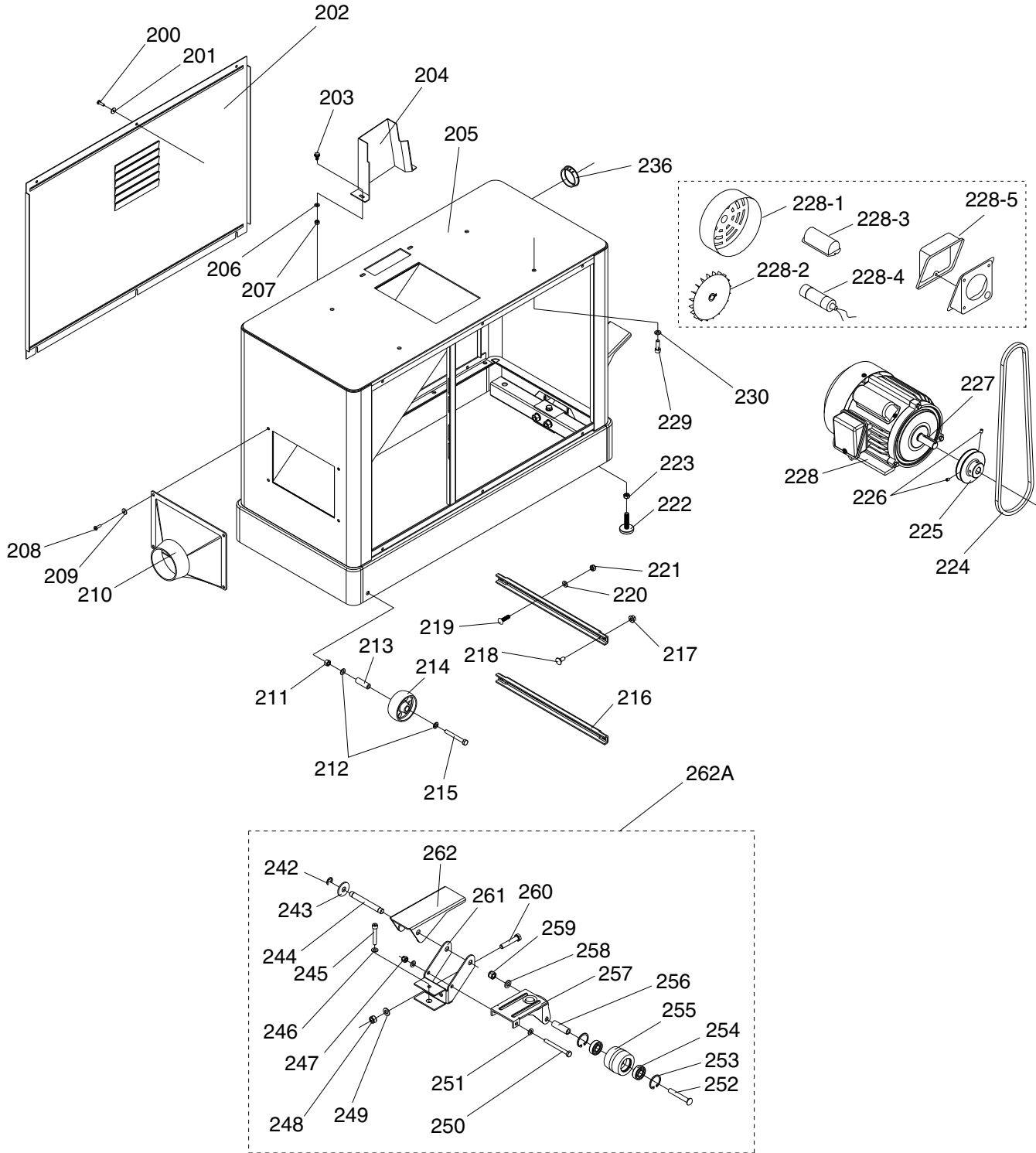
Jointer Parts List, Continued

| REF | PART # | DESCRIPTION |
|-----|----------|------------------------|
| 100 | PB02M | HEX BOLT M6-1 X 12 |
| 101 | PW01M | FLAT WASHER 8MM |
| 102 | P0604102 | ADJUSTABLE HANDLE |
| 103 | P0604103 | ECCENTRIC BUSHING |
| 104 | P0604104 | TABLE SHAFT |
| 105 | PSS14M | SET SCREW M8-1.25 X 12 |
| 106 | P0604106 | TABLE SHAFT |
| 107 | P0604107 | POINTER |
| 108 | P0604108 | LEVER |
| 109 | PFH07M | FLAT HD SCR M5-.8 X 10 |
| 110 | P0604110 | PIVOT BRACKET |
| 111 | P0604111 | ADJUSTING BLOCK |
| 112 | PN09M | HEX NUT M12-1.75 |
| 113 | P0604113 | LEVER |
| 114 | P0604001 | HANDLE 3/8" |
| 115 | PSB12M | CAP SCREW M8-1.25 X 40 |
| 116 | P0604116 | CLAMP PLATE |
| 117 | P0604117 | MEDIUM ADJUSTMENT SCR |
| 118 | P0604118 | PUSH BLOCK |
| 119 | P0604119 | OPEN END WRENCH 8/10MM |

| REF | PART # | DESCRIPTION |
|-----|-------------|---------------------------|
| 120 | P0604120 | OPEN END WRENCH 12/14MM |
| 121 | PAW02.5M | HEX WRENCH 2.5MM |
| 122 | PAW04M | HEX WRENCH 4MM |
| 123 | PAW05M | HEX WRENCH 5MM |
| 124 | PAW06M | HEX WRENCH 6MM |
| 125 | PAW08M | HEX WRENCH 8MM |
| 129 | P0604129 | SWITCH PEDESTAL |
| 130 | PSB31M | CAP SCREW M8-1.25 X 25 |
| 131 | PLW04M | LOCK WASHER 8MM |
| 132 | PW01M | FLAT WASHER 8MM |
| 133 | P0604133 | FLANGE BOLT M6-1 X 16 |
| 134 | P0604134 | BALL STRAIN RELIEF 13.5MM |
| 135 | P0604135 | SWITCH BOX |
| 136 | P0604136 | SWITCH ASSEMBLY |
| 137 | PHTEK4M | TAP SCREW M4 X 8 |
| 138 | P0604138 | SWITCH BRACKET |
| 140 | P0452075A-5 | POWER CORD |
| 141 | P0452075A-6 | SWITCH CORD |
| 142 | P0452075A-7 | MOTOR CORD |



Stand Breakdown



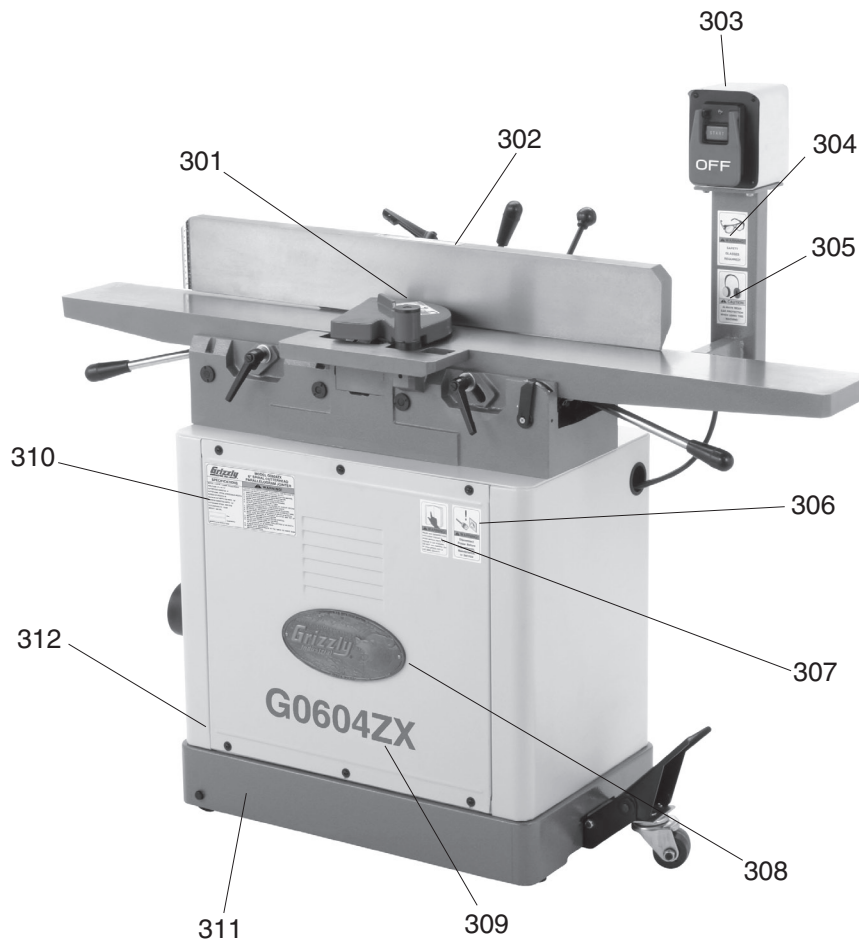
Stand Parts List

| REF | PART # | DESCRIPTION |
|-------|-------------|---------------------------------|
| 200 | PS40M | PHLP HD SCR M5-.8 X 16 |
| 201 | PW02M | FLAT WASHER 5MM |
| 202 | P0604202 | PANEL |
| 203 | PFS02M | FLANGE SCREW M6-1 X 12 |
| 204 | P0604204 | BELT GUARD |
| 205 | P0604205 | CABINET STAND |
| 206 | PW03M | FLAT WASHER 6MM |
| 207 | PN01M | HEX NUT M6-1 |
| 208 | PS40M | PHLP HD SCR M5-.8 X 16 |
| 209 | PW02M | FLAT WASHER 5MM |
| 210 | P0604210 | DUST PORT |
| 211 | PN03M | HEX NUT M8-1.25 |
| 212 | PW01M | FLAT WASHER 8MM |
| 213 | P0604213 | SLEEVE |
| 214 | P0604214 | WHEEL |
| 215 | PB86M | HEX BOLT M8-1.25 X 65 |
| 216 | P0604216 | MOTOR BRACKET |
| 217 | P0604217 | FLANGE NUT 5/16-18 |
| 218 | PCB05 | CARRIAGE BOLT 5/16-18 X 3/4 |
| 219 | PCB11 | CARRIAGE BOLT 5/16-18 X 1 |
| 220 | PW07 | FLAT WASHER 5/16 |
| 221 | P0604221 | FLANGE NUT 5/16-18 |
| 222 | P0604222 | FOOT |
| 223 | PN08 | HEX NUT 3/8-16 |
| 224 | PVA40 | V-BELT A-40 4L400 |
| 225 | P0604225 | MOTOR PULLEY |
| 226 | PSS02M | SET SCREW M6-1 X 6 |
| 227 | PK12M | KEY 5 X 5 X 30 |
| 228 | P0452Z224 | MOTOR 1.5HP, 110V/220V, 1-PHASE |
| 228-1 | P0452Z224-1 | FAN COVER |

| REF | PART # | DESCRIPTION |
|-------|-------------|-------------------------------|
| 228-2 | P0452Z224-2 | MOTOR FAN |
| 228-3 | P0452Z224-3 | CAPACITOR COVER |
| 228-4 | P0452Z224-4 | CAPACITOR 200M 125V 40 x 80MM |
| 228-5 | P0452Z224-5 | JUNCTION BOX |
| 229 | PSB31M | CAP SCREW M8-1.25 X 25 |
| 230 | PLW04M | LOCK WASHER 8MM |
| 236 | P0604236 | STRAIN RELIEF |
| 242 | PR16M | EXT RETAINING RING 9MM |
| 243 | P0604243 | SPECIAL WASHER 13MM |
| 244 | P0604244 | SHAFT |
| 245 | PSB05M | CAP SCREW M8-1.25 X 50 |
| 246 | PW01M | FLAT WASHER 8MM |
| 247 | PN03M | HEX NUT M8-1.25 |
| 248 | PN02M | HEX NUT M10-1.5 |
| 249 | PW04M | FLAT WASHER 10MM |
| 250 | PB45M | HEX BOLT M8-1.25 X 100 |
| 251 | PW01M | FLAT WASHER 8MM |
| 252 | P0604252 | SPECIAL BOLT |
| 253 | PR21M | INT RETAINING RING 35MM |
| 254 | P6202 | BALL BEARING 6202ZZ |
| 255 | P0604255 | TROLLEY WHEEL |
| 256 | P0604256 | SLEEVE |
| 257 | P0604257 | TROLLEY BRACKET |
| 258 | PW04M | FLAT WASHER 10MM |
| 259 | PN02M | HEX NUT M10-1.5 |
| 260 | PB144M | HEX BOLT M10-1.5 X 55 |
| 261 | P0604261 | PEDAL BRACKET |
| 262 | P0604262 | PEDAL |
| 262A | P0604ZX262A | COMPLETE PEDAL ASSY |



Labels Breakdown & Parts List



| REF | PART # | DESCRIPTION |
|-----|-----------|--------------------------|
| 301 | PLABEL-29 | CUTTERHEAD GUARD LABEL |
| 302 | P0604302 | CUTTERHEAD WARNING LABEL |
| 303 | PLABEL-14 | ELECTRICITY LABEL |
| 304 | PLABEL-11 | SAFETY GLASSES LABEL |
| 305 | PLABEL-15 | EAR PROTECTION LABEL |
| 306 | PLABEL-26 | DISCONNECT POWER LABEL |

| REF | PART # | DESCRIPTION |
|-----|------------|--------------------------------|
| 307 | PLABEL-12A | READ MANUAL LABEL |
| 308 | P0604308 | GRIZZLY NAMEPLATE |
| 309 | P0604ZX309 | MODEL # LABEL |
| 310 | P0604ZX310 | MACHINE ID LABEL |
| 311 | PPAINT-1 | "GRIZZLY GREEN" TOUCH-UP PAINT |
| 312 | PPAINT-11 | "PUTTY" TOUCH-UP PAINT |

WARNING

Safety labels warn about machine hazards and ways to prevent injury. The owner of this machine **MUST** maintain the original location and readability of the labels on the machine. If any label is removed or becomes unreadable, **REPLACE** that label before using the machine again. Contact Grizzly at (800) 523-4777 or www.grizzly.com to order new labels.



Free Manuals Download Website

<http://myh66.com>

<http://usermanuals.us>

<http://www.somanuals.com>

<http://www.4manuals.cc>

<http://www.manual-lib.com>

<http://www.404manual.com>

<http://www.luxmanual.com>

<http://aubethermostatmanual.com>

Golf course search by state

<http://golfingnear.com>

Email search by domain

<http://emailbydomain.com>

Auto manuals search

<http://auto.somanuals.com>

TV manuals search

<http://tv.somanuals.com>