



# MODEL G9947 MINI SHEET METAL CUTTER INSTRUCTION SHEET

## **⚠️ WARNING**

**CUTTING & PINCHING HAZARD!** Keep fingers at a safe distance from wheels, or fingers could be cut or severely pinched.

### Introduction

The Model G9947 rotary shear will make quick work of cutting sheet metal to 16 gauge. Features an 11" handle. Weighs 4 lbs.

### Inventory

- A. Mini Sheet Metal Cutter..... 1



Figure 1. Model G9947

*If you need help with your new tool, call our Tech Support at: (570) 546-9663.*

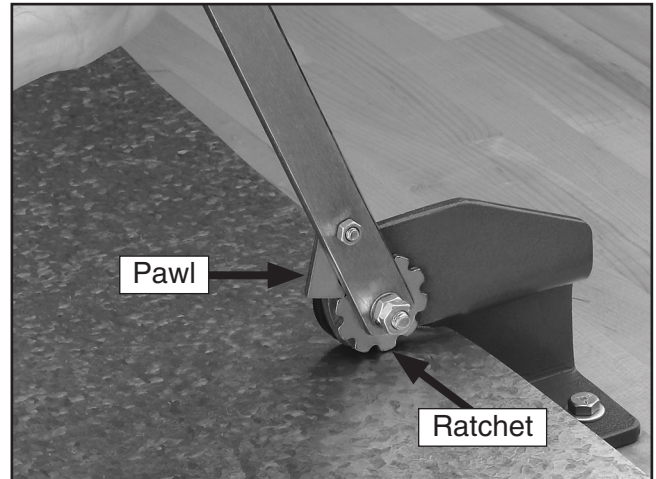
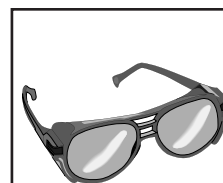


Figure 2. Ratchet and pawl.

### Setup & Operation

1. Securely mount the mini sheet metal cutter to your workbench.
2. Raise the handle and engage the pawl in one of the ratchet notches.
3. Place the sheet metal between the upper drive wheel and lower wheel (see **Figure 2**).
4. Pull the handle down with one hand as you feed the sheet metal with the other into the cutting wheel to begin shearing.

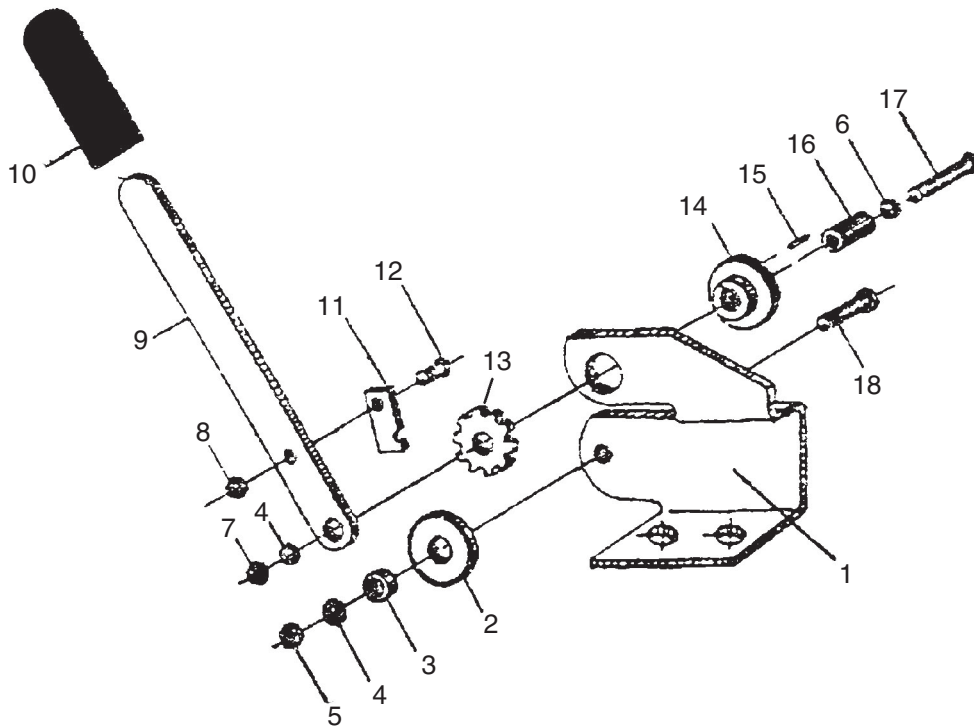


## **⚠️ WARNING**

**EYE INJURY HAZARD!**  
Wear safety glasses during use of this tool!

COPYRIGHT © JUNE, 2006 BY GRIZZLY INDUSTRIAL, INC.  
**WARNING: NO PORTION OF THIS MANUAL MAY BE REPRODUCED IN ANY SHAPE OR FORM WITHOUT THE WRITTEN APPROVAL OF GRIZZLY INDUSTRIAL, INC.**  
#PC8328 PRINTED IN CHINA

# G9947 Parts Breakdown and List



REF	PART #	DESCRIPTION
1	P9947001	BASE
2	P9947002	CUTTING WHEEL
3	P9947003	SLEEVE
4	PW04M	FLAT WASHER 10MM
5	PN02M	HEX NUT M10-1.5
6	PW01M	FLAT WASHER 8MM
7	PN03M	HEX NUT M8-1.25
8	PN01M	HEX NUT M6-1
9	P9947009	HANDLE

REF	PART #	DESCRIPTION
10	P9947010	HANDLE SLEEVE
11	P9947011	PAWL
12	PS11M	PHLP HD SCR M6-1 X 16
13	P9947013	RATCHET
14	P9947014	DRIVE WHEEL
15	P9947015	PIN
16	P9947016	SLEEVE
17	PB15M	HEX BOLT M8-1.25 X 40
18	PB32M	HEX BOLT M10-1.5 x 25

## Free Manuals Download Website

<http://myh66.com>

<http://usermanuals.us>

<http://www.somanuals.com>

<http://www.4manuals.cc>

<http://www.manual-lib.com>

<http://www.404manual.com>

<http://www.luxmanual.com>

<http://aubethermostatmanual.com>

Golf course search by state

<http://golfingnear.com>

Email search by domain

<http://emailbydomain.com>

Auto manuals search

<http://auto.somanuals.com>

TV manuals search

<http://tv.somanuals.com>