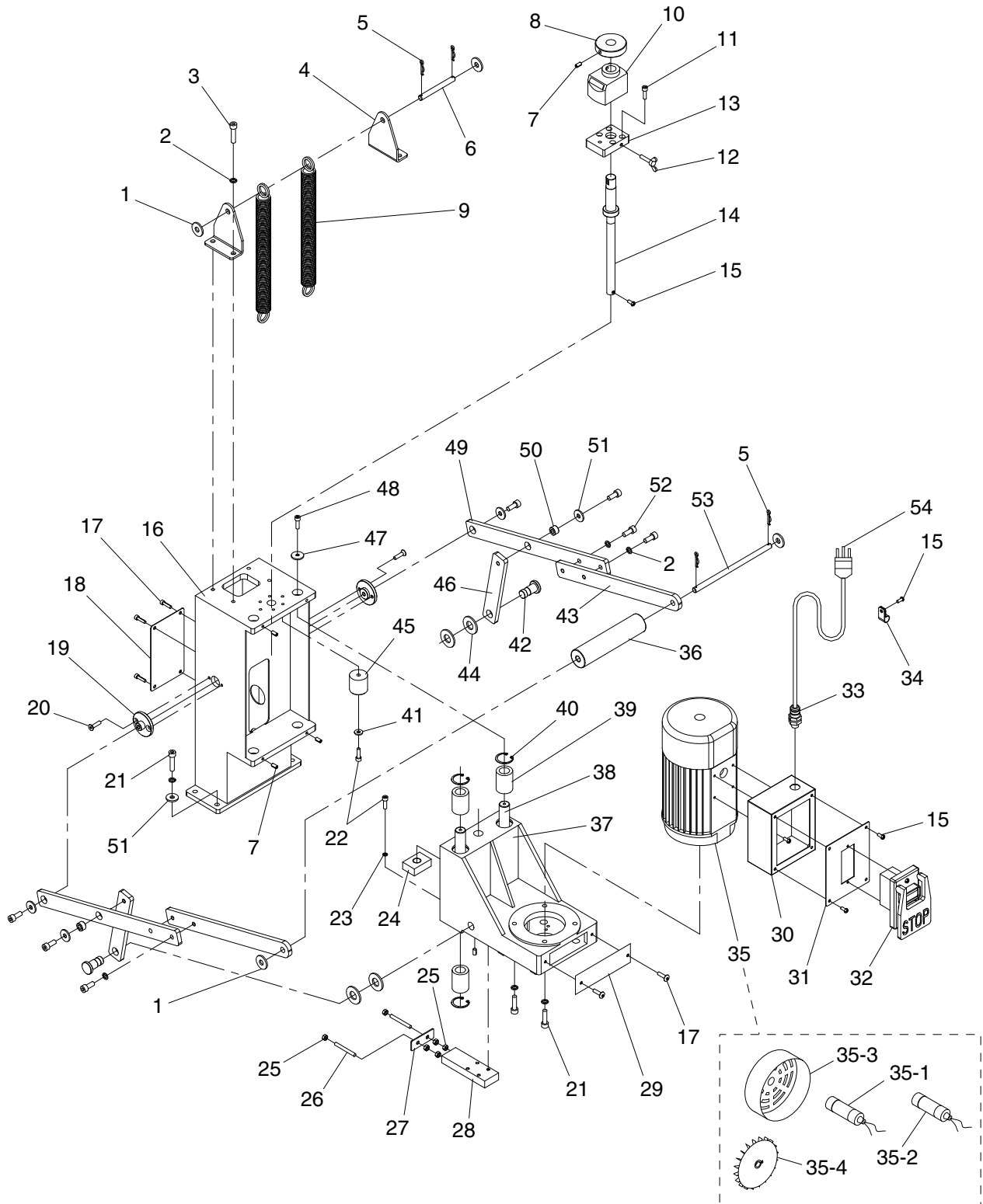


# SECTION 8: PARTS

## Column & Electrical Breakdown



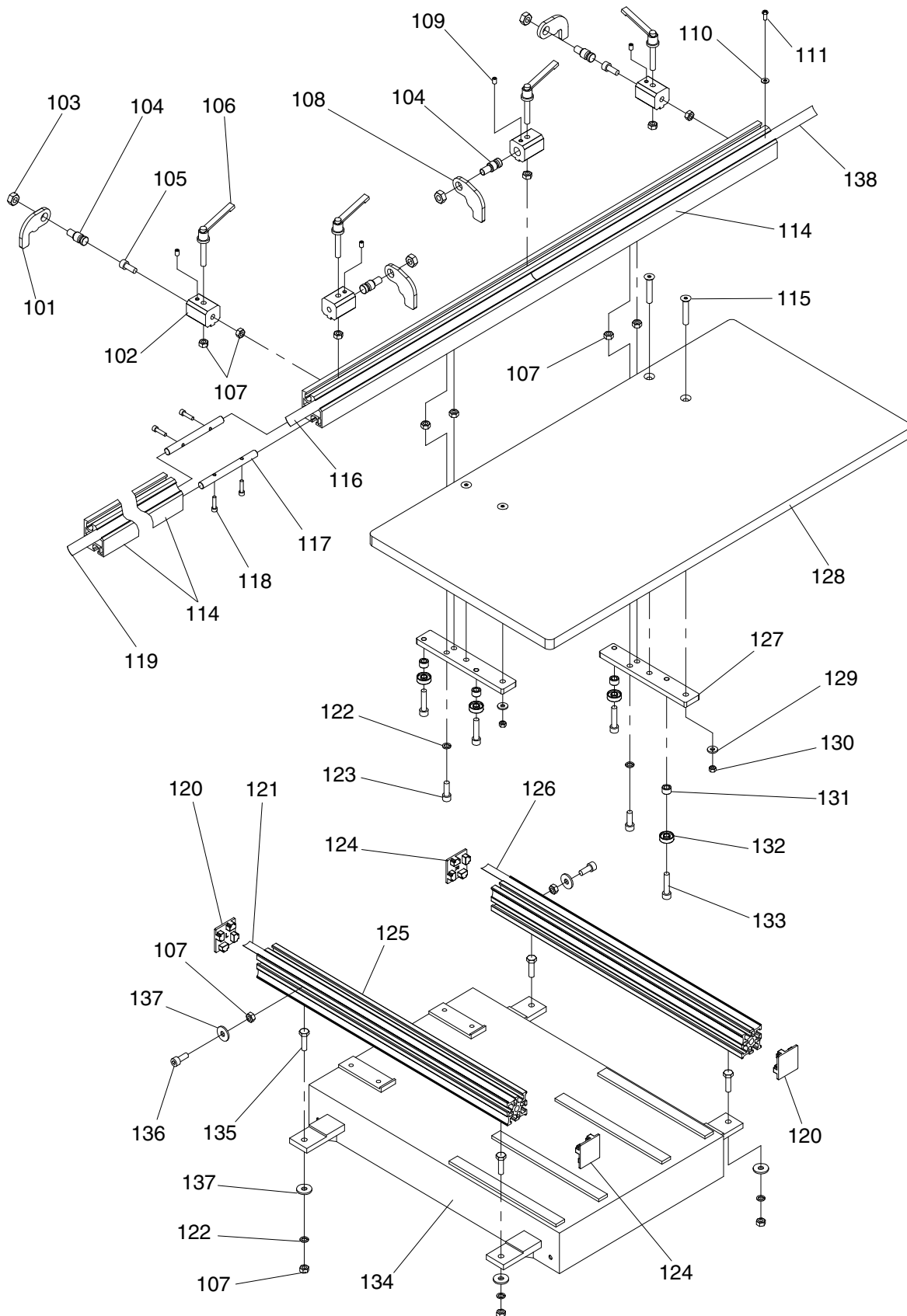
# Column & Electrical Parts List

| REF | PART #   | DESCRIPTION                 |
|-----|----------|-----------------------------|
| 1   | PW04M    | FLAT WASHER 10MM            |
| 2   | PLW04M   | LOCK WASHER 8MM             |
| 3   | PSB11M   | CAP SCREW M8-1.25 X 16      |
| 4   | P0642004 | HEADSTOCK SPRING BRACKET    |
| 5   | P0642005 | HAIR PIN COTTER PIN         |
| 6   | P0642006 | DRILLED HEADLESS CLEVIS PIN |
| 7   | PSS01M   | SET SCREW M6-1 X 10         |
| 8   | P0642008 | KNURLED KNOB                |
| 9   | P0642009 | HEADSTOCK EXTENSION SPRING  |
| 10  | P0642010 | DEPTH CONTROL GAUGE         |
| 11  | PSB02M   | CAP SCREW M6-1 X 20         |
| 12  | P0642012 | WING SCREW M6-1 X 25        |
| 13  | P0642013 | DEPTH CONTROL GAUGE MOUNT   |
| 14  | P0642014 | DEPTH CONTROL ROD           |
| 15  | PS08M    | PHLP HD SCR M5-.8 X 12      |
| 16  | P0642016 | COLUMN                      |
| 17  | PSB50M   | CAP SCREW M5-.8 X 10        |
| 18  | P0642018 | COVER                       |
| 19  | P0642019 | PIVOT BRACKET               |
| 20  | PFH02M   | FLAT HD SCR M6-1 X 12       |
| 21  | PSB31M   | CAP SCREW M8-1.25 X 25      |
| 22  | PSB07M   | CAP SCREW M6-1 X 30         |
| 23  | PLW03M   | LOCK WASHER 6MM             |
| 24  | P0642024 | THREADED BLOCK              |
| 25  | PN01M    | HEX NUT M6-1                |
| 26  | PSS85M   | SET SCREW M6-1 X 45         |
| 27  | P0642027 | SPACER                      |
| 28  | P0642028 | MOUNT                       |
| 29  | P0642029 | COVER                       |

| REF  | PART #     | DESCRIPTION                        |
|------|------------|------------------------------------|
| 30   | P0642030   | SWITCH BOX                         |
| 31   | P0642031   | SWITCH PANEL                       |
| 32   | P0642032   | ON/OFF SWITCH                      |
| 33   | P0642033   | STRAIN RELIEF                      |
| 34   | P0642034   | CABLE CLAMP                        |
| 35   | P0642035   | MOTOR 1HP 110/220V 1-PH            |
| 35-1 | P0642035-1 | S. CAPACITOR 300M 125V 1.38 X 3.38 |
| 35-2 | P0642035-2 | R. CAPACITOR 30M 250V 1.38 X 2.38  |
| 35-3 | P0642035-3 | MOTOR FAN COVER                    |
| 35-4 | P0642035-4 | MOTOR FAN                          |
| 36   | P0642036   | HANDLE                             |
| 37   | P0642037   | HEADSTOCK                          |
| 38   | P0642038   | HEADSTOCK WAY                      |
| 39   | P0642039   | BUSHING                            |
| 40   | PR29M      | INT RETAINING RING 32MM            |
| 41   | PW03M      | FLAT WASHER 6MM                    |
| 42   | P0642042   | PIVOT PIN                          |
| 43   | P0642043   | PIVOT BAR FRONT                    |
| 44   | PW08M      | FLAT WASHER 16MM                   |
| 45   | P0642045   | UPPER DEPTH STOP                   |
| 46   | P0642046   | PIVOT BAR SMALL                    |
| 47   | PW03M      | FLAT WASHER 6MM                    |
| 48   | PSB26M     | CAP SCREW M6-1 X 12                |
| 49   | P0642049   | PIVOT BAR REAR                     |
| 50   | P0642050   | BUSHING                            |
| 51   | PW01M      | FLAT WASHER 8MM                    |
| 52   | PSB14M     | CAP SCREW M8-1.25 X 20             |
| 53   | P0642053   | DRILLED HEADLESS CLEVIS PIN        |
| 54   | P0642054   | POWER CORD                         |



# Table Breakdown



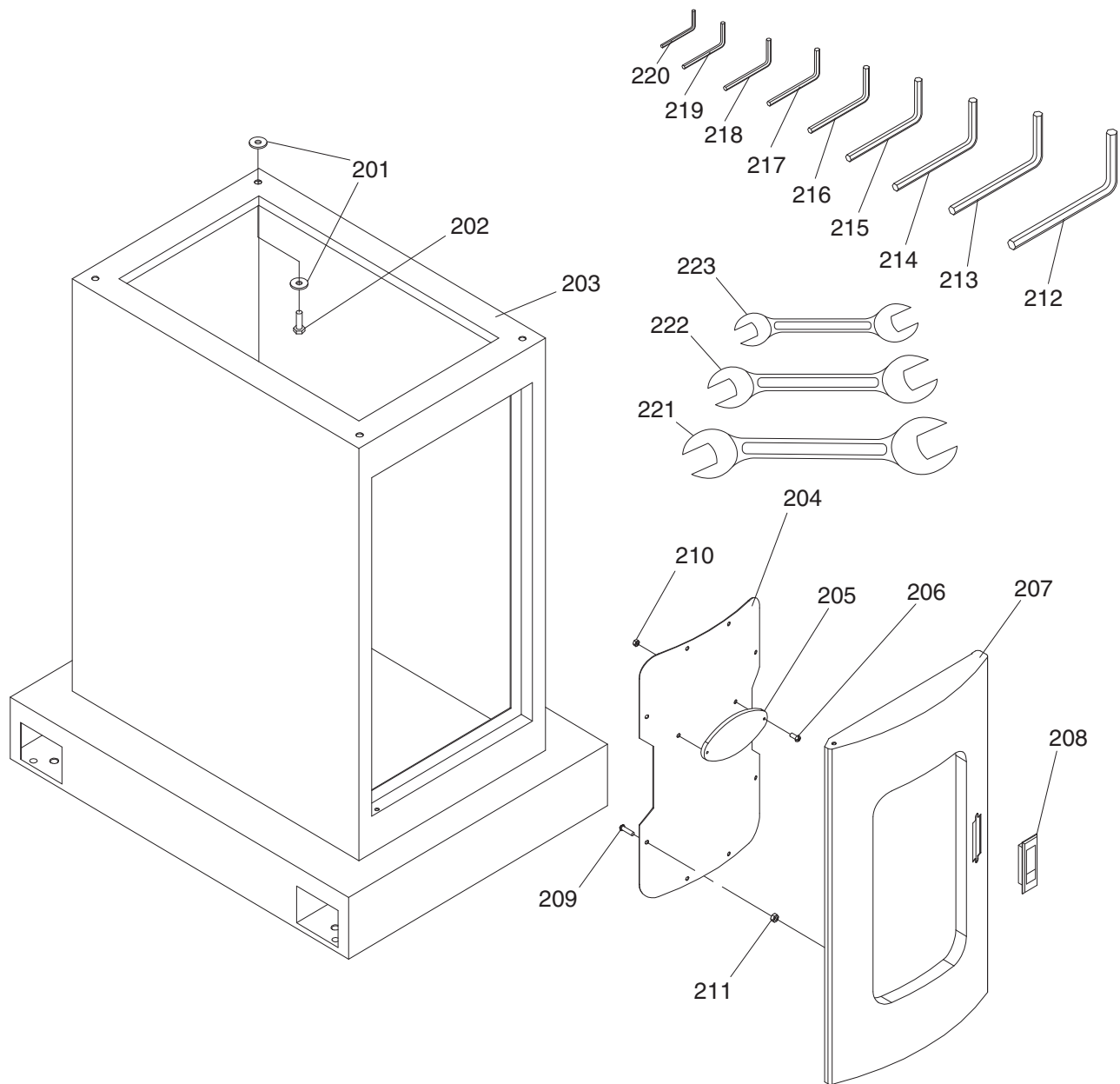
# Table Parts List

| REF | PART #   | DESCRIPTION                    |
|-----|----------|--------------------------------|
| 101 | P0642101 | CROSS STOP PLATE               |
| 102 | P0642102 | MOUNTING BLOCK                 |
| 103 | PLN05M   | LOCK NUT M10-1.5               |
| 104 | P0642104 | STOP PIN                       |
| 105 | PSB11M   | CAP SCREW M8-1.25 X 16         |
| 106 | P0642106 | LOCK LEVER                     |
| 107 | PN03M    | HEX NUT M8-1.25                |
| 108 | P0642108 | LONGITUDINAL STOP PLATE        |
| 109 | PSS02M   | SET SCREW M6-1 X 6             |
| 110 | PW02M    | FLAT WASHER 5MM                |
| 111 | PS08M    | PHLP HD SCR M5-.8 X 12         |
| 114 | P0642114 | LONGITUDINAL FENCE             |
| 115 | PFH03M   | FLAT HD SCR M6-1 X 40          |
| 116 | P0642116 | LONGITUDINAL SCALE CENTER LEFT |
| 117 | P0642117 | FENCE CONNECTING ROD           |
| 118 | PSB24M   | CAP SCREW M5-.8 X 16           |
| 119 | P0642119 | LONGITUDINGAL SCALE LEFT       |
| 120 | P0642120 | CROSS FENCE END PLUG LEFT      |

| REF | PART #   | DESCRIPTION                     |
|-----|----------|---------------------------------|
| 121 | P0642121 | CROSS FENCE SCALE LEFT          |
| 122 | PLW04M   | LOCK WASHER 8MM                 |
| 123 | PSB14M   | CAP SCREW M8-1.25 X 20          |
| 124 | P0642124 | CROSS FENCE END PLUG RIGHT      |
| 125 | P0642125 | CROSS FENCE                     |
| 126 | P0642126 | CROSS FENCE SCALE RIGHT         |
| 127 | P0642127 | TABLE MOUNT                     |
| 128 | P0642128 | TABLE                           |
| 129 | PW03M    | FLAT WASHER 6MM                 |
| 130 | PN01M    | HEX NUT M6-1                    |
| 131 | P0642131 | BUSHING                         |
| 132 | P608     | BALL BEARING 608ZZ              |
| 133 | PSB40M   | CAP SCREW M8-1.25 X 35          |
| 134 | P0642134 | CABINET TOP                     |
| 135 | PSB31M   | CAP SCREW M8-1.25 X 25          |
| 136 | PSB58M   | CAP SCREW M8-1.25 X 12          |
| 137 | PW01M    | FLAT WASHER 8MM                 |
| 138 | P0642138 | LONGITUDINAL SCALE CENTER RIGHT |



# Cabinet & Tools Breakdown & Parts List

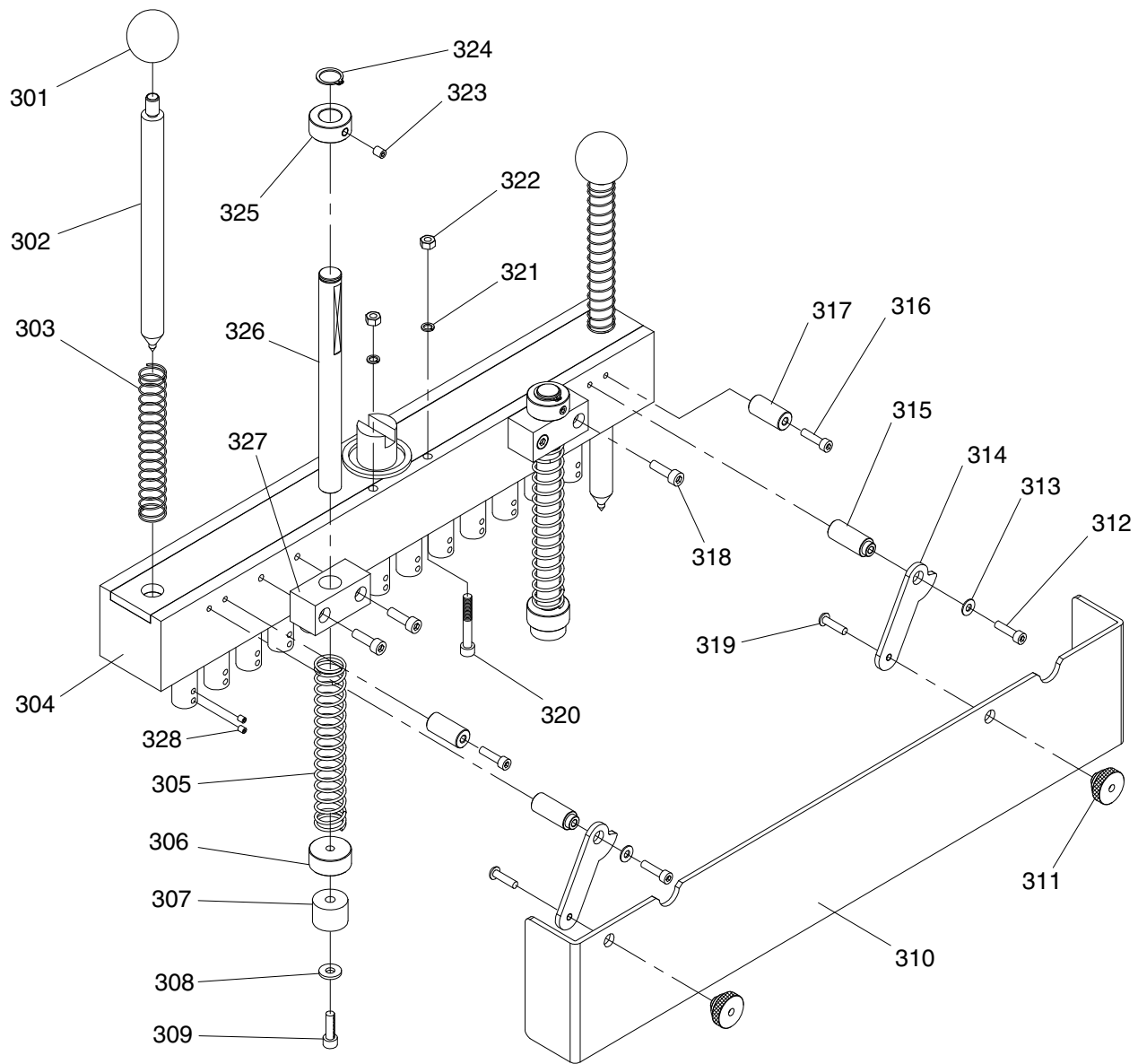


| REF | PART #   | DESCRIPTION            |
|-----|----------|------------------------|
| 201 | PW01M    | FLAT WASHER 8MM        |
| 202 | PB03M    | HEX BOLT M8-1.25 X 16  |
| 203 | P0642203 | CABINET                |
| 204 | P0642204 | COVER                  |
| 205 | P0642205 | GRIZZLY LOGO PLATE     |
| 206 | PS02M    | PHLP HD SCR M4-.7 X 12 |
| 207 | P0642207 | DOOR                   |
| 208 | P0642208 | DOOR LATCH             |
| 209 | PS08M    | PHLP HD SCR M5-.8 X 12 |
| 210 | PN04M    | HEX NUT M4-.7          |
| 211 | PN06M    | HEX NUT M5-.8          |
| 212 | PAW10M   | HEX WRENCH 10MM        |

| REF | PART #   | DESCRIPTION          |
|-----|----------|----------------------|
| 213 | PAW08M   | HEX WRENCH 8MM       |
| 214 | PAW06M   | HEX WRENCH 6MM       |
| 215 | PAW05M   | HEX WRENCH 5MM       |
| 216 | PAW04M   | HEX WRENCH 4MM       |
| 217 | PAW03M   | HEX WRENCH 3MM       |
| 218 | PAW02.5M | HEX WRENCH 2.5MM     |
| 219 | PAW02M   | HEX WRENCH 2MM       |
| 220 | PAW01.5M | HEX WRENCH 1.5MM     |
| 221 | PWR1719  | COMBO WRENCH 17/19MM |
| 222 | PWR1214  | COMBO WRENCH 12/14MM |
| 223 | PWR810   | COMBO WRENCH 8/10MM  |



# Boring Head Breakdown & Parts List

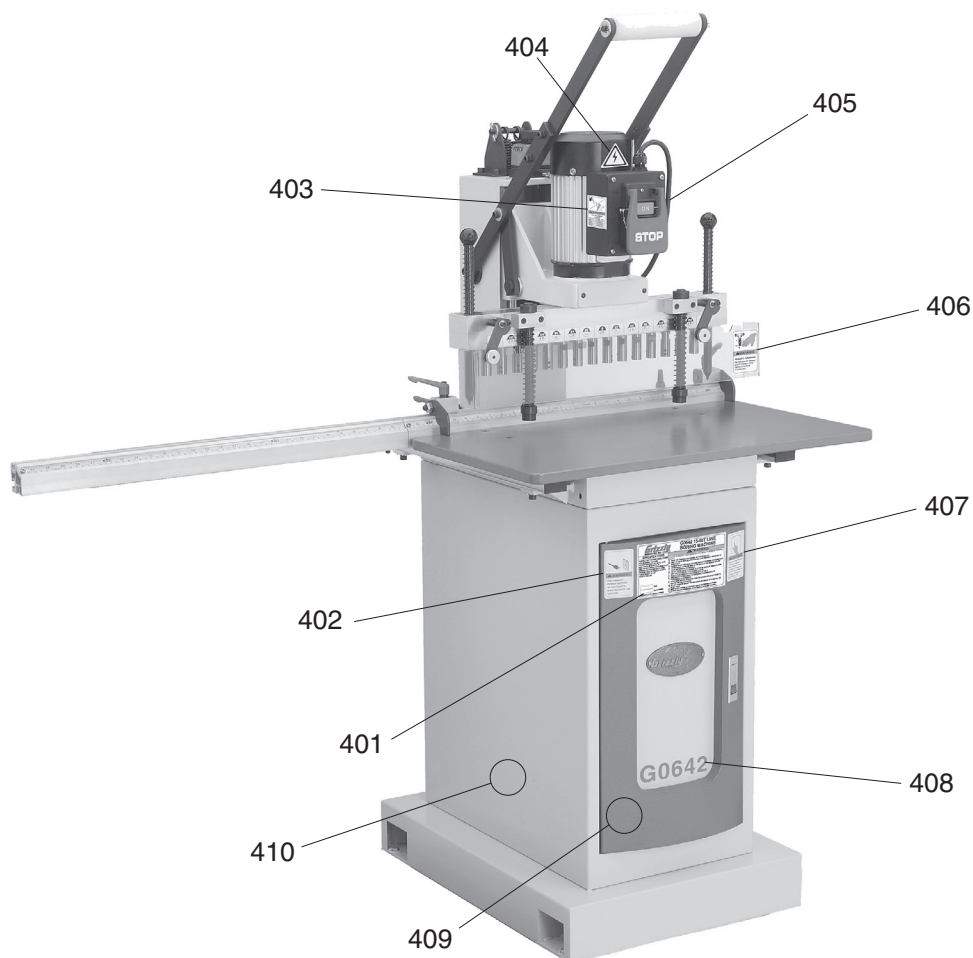


| REF | PART #   | DESCRIPTION                 |
|-----|----------|-----------------------------|
| 301 | P0642301 | INDEXING PIN KNOB           |
| 302 | P0642302 | INDEXING PIN                |
| 303 | P0642303 | INDEXING COMPRESSION SPRING |
| 304 | P0642304 | BORING HEAD ASSY            |
| 305 | P0642305 | HOLDDOWN COMPRESSION SPRING |
| 306 | P0642306 | COLLAR                      |
| 307 | P0642307 | HOLDDOWN PAD                |
| 308 | PSB02M   | FLAT WASHER 6MM             |
| 309 | PSB02M   | CAP SCREW M6-1 X 20         |
| 310 | P0642310 | BORING HEAD GUARD           |
| 311 | P0642311 | GUARD RETAINER              |
| 312 | PSB109M  | CAP SCREW M5-.8 X 50        |
| 313 | PW02M    | FLAT WASHER 5MM             |
| 314 | P0642314 | PIVOT BRACKET               |

| REF | PART #   | DESCRIPTION                  |
|-----|----------|------------------------------|
| 315 | P0642315 | BUSHING                      |
| 316 | PSB79M   | CAP SCREW M5-.8 X 35         |
| 317 | P0642317 | BUSHING                      |
| 318 | PSB07M   | CAP SCREW M6-1 X 30          |
| 319 | PSB118M  | BUTTON HD CAP SCR M5-.8 X 20 |
| 320 | PSB167M  | CAP SCREW M6-1 X 70          |
| 321 | PLW03M   | LOCK WASHER 6MM              |
| 322 | PN01M    | HEX NUT M6-1                 |
| 323 | PSS99M   | SET SCREW M6-1 X 5           |
| 324 | PR06M    | EXT RETAINING RING 16MM      |
| 325 | P0642325 | LOCK COLLAR                  |
| 326 | P0642326 | HOLDDOWN ROD                 |
| 327 | P0642327 | HOLDDOWN BRACKET             |
| 328 | PSS07M   | SET SCREW M5-.8 X 5          |



# Label Placement & List



| REF PART # | DESCRIPTION                             |
|------------|---|
| 401        | P0642401 MACHINE ID LABEL               |
| 402        | P0642402 DISCONNECT WARNING LABEL VERT  |
| 403        | P0642403 ENTANGLEMENT HAZARD LABEL VERT |
| 404        | PLABEL-14 ELECTRICITY LABEL             |
| 405        | PLABEL-11 EYE INJURY HAZARD LABEL VERT  |

| REF PART # | DESCRIPTION                            |
|------------|--|
| 406        | P0642401 HAND INJURY HAZARD LABEL VERT |
| 407        | PLABEL-12 READ MANUAL LABEL VERT       |
| 408        | P0642403 MODEL NUMBER LABEL            |
| 409        | PPAINT-1 GRIZZLY GREEN TOUCH UP PAINT  |
| 410        | PPAINT-11 GRIZZLY PUTTY TOUCH UP PAINT |

## WARNING

Safety labels warn about machine hazards and ways to prevent injury. The owner of this machine **MUST** maintain the original location and readability of the labels on the machine. If any label is removed or becomes unreadable, **REPLACE** that label before using the machine again. Contact Grizzly at (800) 523-4777 or [www.grizzly.com](http://www.grizzly.com) to order new labels.



## Free Manuals Download Website

<http://myh66.com>

<http://usermanuals.us>

<http://www.somanuals.com>

<http://www.4manuals.cc>

<http://www.manual-lib.com>

<http://www.404manual.com>

<http://www.luxmanual.com>

<http://aubethermostatmanual.com>

Golf course search by state

<http://golfingnear.com>

Email search by domain

<http://emailbydomain.com>

Auto manuals search

<http://auto.somanuals.com>

TV manuals search

<http://tv.somanuals.com>