



3/8" REVERSIBLE AIR DRILL MODEL H6362 INSTRUCTION SHEET

Introduction

This compact 3/8" Reversible Air Drill features a pistol grip handle, 1800 RPM free speed, and 3/8" drilling capacity. Average air consumption is 6 CFM and the recommended air pressure is 90 PSI. Includes a 1/4" NPT quick connect fitting and chuck key.

Inventory

- A. Air Drill..... 1
- B. 1/4" NPT Quick Connect Fitting (male)..... 1
- C. Chuck Key..... 1

Lubricating Your New Air Drill

Lubricate your air drill with pneumatic tool oil. If you do not have a lubricator installed in your air line, place one drop of pneumatic tool oil into the air fitting daily, as shown in **Figure 2**.



Figure 1. Model H6362.

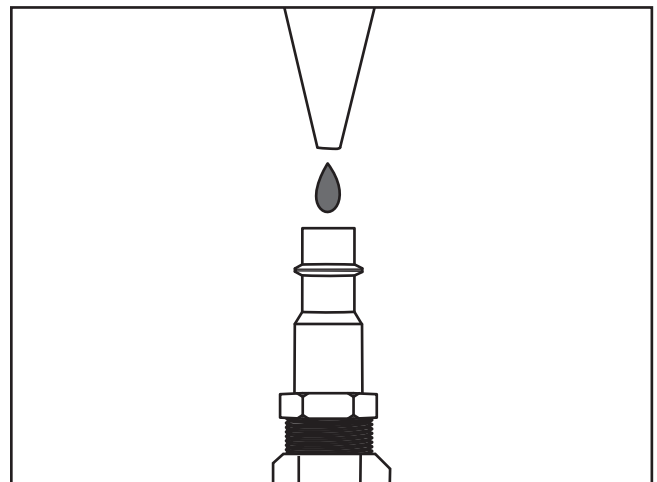
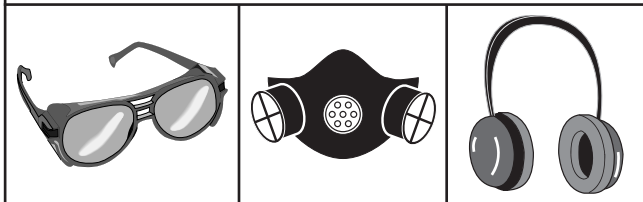


Figure 2. Lubricating the Model H6362.

!WARNING

Damage to your eyes, lungs, and ears could result from using this drill without proper protective gear. Always wear safety glasses, a respirator, and hearing protection while drilling.

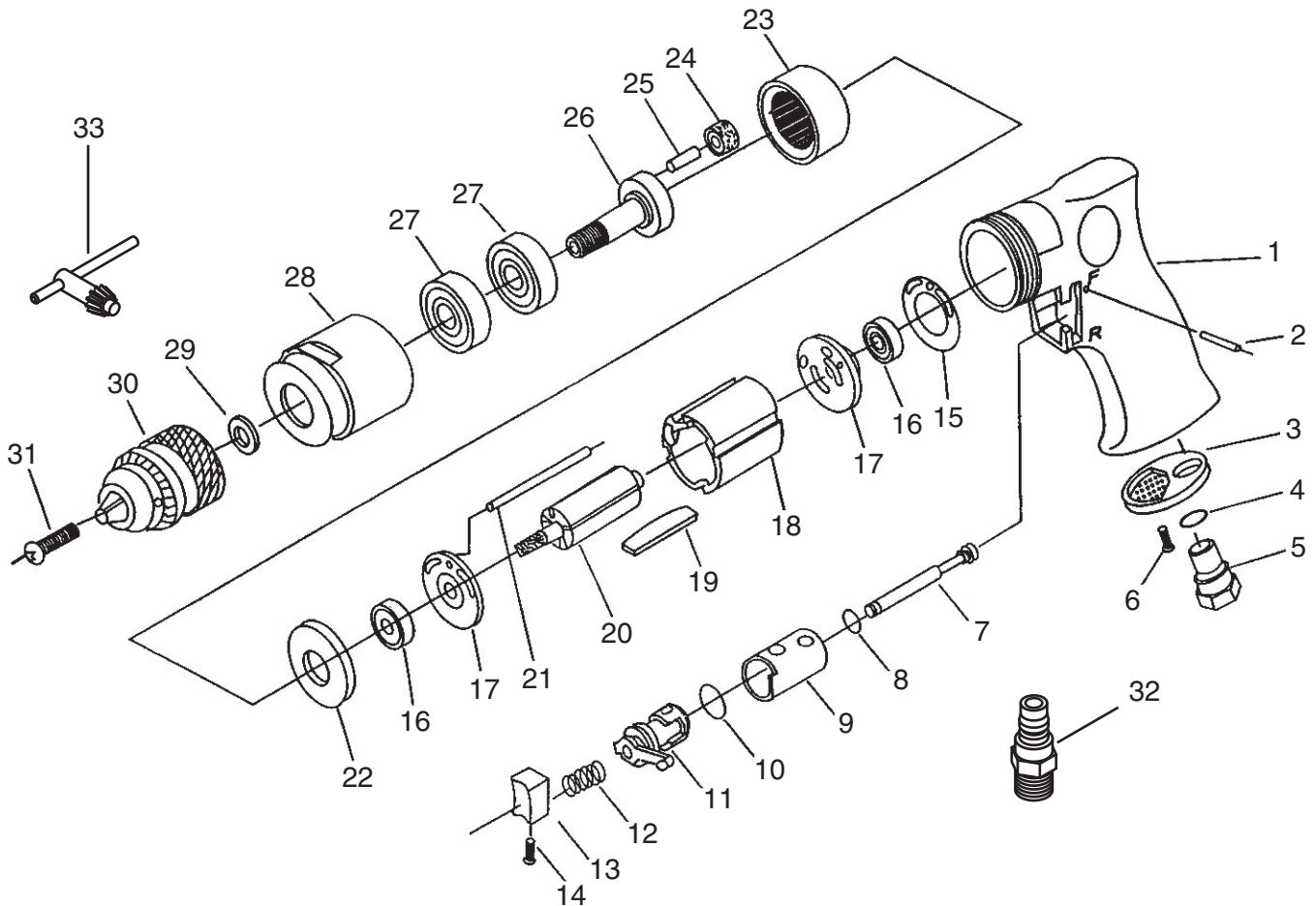


Need Help?

If you need help with your new air drill, call our service department at: (570) 546-9663.

COPYRIGHT © NOVEMBER, 2004 BY GRIZZLY INDUSTRIAL, INC.
WARNING: NO PORTION OF THIS MANUAL MAY BE REPRODUCED IN ANY SHAPE OR FORM WITHOUT THE WRITTEN APPROVAL OF GRIZZLY INDUSTRIAL, INC.
#TR6752 PRINTED IN CHINA

H6362 Parts Breakdown and List



Ref #	Part #	Description
1	PH6362001	HOUSING
2	PH6362002	SPRING PIN
3	PH6362003	EXHAUST DEFLECTOR
4	PH6362004	O-RING
5	PH6362005	AIR FITTING CONNECTOR
6	PH6362006	SPECIAL SCREW
7	PH6362007	VALVE STEM
8	PH6362008	O-RING
9	PH6362009	REVERSE BUSHING
10	PH6362010	O-RING
11	PH6362011	REVERSE LEVER
12	PH6362012	SPRING
13	PH6362013	TRIGGER
14	PSS81M	SET SCREW M3-.5 X 5
15	PH6362015	MOTOR GASKET
16	PH6362016	BEARING
17	PH6362017	END PLATE

Ref #	Part #	Description
18	PH6362018	CYLINDER
19	PH6362019	ROTOR BLADE
20	PH6362020	ROTOR
21	PH6362021	PIN
22	PH6362022	SPACER
23	PH6362023	INTERNAL GEAR
24	PH6362024	PLANET GEAR
25	PH6362025	PIN
26	PH6362026	WORK SPINDLE
27	PH6362027	BEARING
28	PH6362028	CLAMP NUT
29	PH6362029	GASKET
30	PH6362030	DRILL CHUCK
31	PH6362031	CHUCK SCREW
32	PH6362032	1/4" NPT MALE AIR FITTING
33	PH6362033	CHUCK KEY

Free Manuals Download Website

<http://myh66.com>

<http://usermanuals.us>

<http://www.somanuals.com>

<http://www.4manuals.cc>

<http://www.manual-lib.com>

<http://www.404manual.com>

<http://www.luxmanual.com>

<http://aubethermostatmanual.com>

Golf course search by state

<http://golfingnear.com>

Email search by domain

<http://emailbydomain.com>

Auto manuals search

<http://auto.somanuals.com>

TV manuals search

<http://tv.somanuals.com>