



**PNEUMATIC PALM HAMMER KIT**  
**MODEL H3142**  
**INSTRUCTION MANUAL**



COPYRIGHT © OCTOBER, 2002 BY GRIZZLY INDUSTRIAL, INC.  
1821 VALENCIA ST., BELLINGHAM, WA 98227

**WARNING: NO PORTION OF THIS MANUAL MAY BE REPRODUCED IN ANY SHAPE  
OR FORM WITHOUT THE WRITTEN APPROVAL OF GRIZZLY INDUSTRIAL, INC.**  
PRINTED IN CHINA





# SAFETY


## **WARNING**

### For Your Own Safety Read Instruction Manual Before Operating This Equipment

The purpose of safety symbols is to attract your attention to possible hazardous conditions. This manual uses a series of symbols and signal words which are intended to convey the level of importance of the safety messages. The progression of symbols is described below. Remember that safety messages by themselves do not eliminate danger and are not a substitute for proper accident prevention measures.

 **DANGER** Indicates an imminently hazardous situation which, if not avoided, WILL result in death or serious injury.

 **WARNING** Indicates a potentially hazardous situation which, if not avoided, COULD result in death or serious injury.

 **CAUTION** Indicates a potentially hazardous situation which, if not avoided, MAY result in minor or moderate injury. It may also be used to alert against unsafe practices.

**NOTICE** This symbol is used to alert the user to useful information about proper operation of the equipment.

## **WARNING**

### Safety Instructions For Pneumatic Tools

1. **KEEP ALL SAFETY DEVICES IN PLACE** and in working order.
2. **REMOVE ADJUSTING KEYS AND WRENCHES.** Form habit of checking to see that keys and adjusting wrenches are removed from tool before operation.
3. **KEEP WORK AREA CLEAN.** Cluttered areas and benches invite accidents.
4. **DO NOT USE IN DANGEROUS ENVIRONMENT.** DO NOT use pneumatic tools in damp or wet locations, or where any flammable or noxious fumes may exist. Keep work area well lighted.
5. **KEEP CHILDREN AND VISITORS AWAY.** All children and visitors should be kept at a safe distance from work area.
6. **MAKE WORKSHOP CHILD PROOF** with padlocks, master switches, or by removing air hoses from tools.
7. **DO NOT FORCE TOOL.** It will do the job better and safer at the rate for which it was designed.
8. **USE THE RIGHT TOOL.** DO NOT force tool or attachment to do a job for which it was not designed.
9. **DO NOT USE UNDER THE INFLUENCE OF DRUGS OR ALCOHOL.**

# **WARNING**

## **Safety Instructions For Pneumatic Tools**

10. **USE PROPER AIR HOSE** for the tool. Make sure your air hose is in good condition and is long enough to reach your work without stretching.
11. **WEAR PROPER APPAREL.** DO NOT wear loose clothing, gloves, neckties, rings, bracelets, or other jewelry which may get caught in moving parts. Non-slip footwear is recommended. Wear a protective hair covering to contain long hair.
12. **ALWAYS USE SAFETY GLASSES.** Also use a face or dust mask if cutting operation is dusty. Everyday eyeglasses only have impact resistant lenses, they are NOT safety glasses.
13. **WEAR APPROVED HEARING PROTECTION.**
14. **SECURE WORK.** Use clamps or a vise to hold work when practical. It is safer than using your hand and frees both hands to operate tool.
15. **DO NOT OVERREACH.** Keep proper footing and balance at all times.
16. **MAINTAIN TOOLS WITH CARE.** Keep tools lubricated and clean for best and safest performance. Follow instructions for lubricating and changing accessories.
17. **REDUCE THE RISK OF UNINTENTIONAL STARTING.** DO NOT carry tool with hand on trigger and always disconnect from air when not in use.
18. **DISCONNECT TOOLS** before servicing and changing accessories.
19. **USE THE RECOMMENDED ACCESSORIES.** Consult the owner's manual for recommended accessories. The use of improper accessories may cause risk of injury.
20. **CHECK DAMAGED PARTS.** Before further use of the tool, a guard or other part that is damaged should be carefully checked to determine that it will operate properly and perform its intended function. Check for alignment of moving parts, binding of moving parts, breakage of parts, mounting, and any other conditions that may affect its operation. A guard or other part that is damaged should be properly repaired or replaced.
21. **NEVER LEAVE UNATTENDED TOOL CONNECTED TO AIR.** Disconnect the air hose and DO NOT leave tool until it is relieved of any built up pressure.
22. **NEVER ALLOW UNTRAINED USERS TO USE THIS TOOL WHILE UNSUPERVISED.**
23. **IF YOU ARE UNSURE OF THE INTENDED OPERATION, STOP USING THE TOOL.** Seek formal training or research books or magazines that specialize in pneumatic tools.

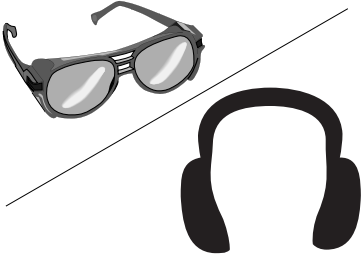
# ! WARNING

## Palm Hammer Safety

In addition to the rules stated in the previous section, and those in the warning boxes throughout this manual, please observe the following safety tips for your pneumatic palm hammer:

1. **READ THIS ENTIRE MANUAL BEFORE OPERATING THE PALM HAMMER.**
2. **ALWAYS DISCONNECT AIR FROM THE PALM HAMMER** whenever changing tools or it may actuate accidentally and cause personal injury.
3. **DO NOT SUPPORT WORKPIECE NEAR NAIL POINT OF ENTRY.** Nail can deflect and be driven through the surface of the workpiece, puncturing your hand or fingers.
4. **NEVER CONNECT THE PALM HAMMER TO PRESSURIZED OXYGEN OR OTHER COMBUSTIBLE GASES** as a power source. Only use filtered, lubricated, and regulated compressed air.
5. **ALWAYS KEEP ANY BYSTANDERS BEHIND PALM HAMMER OR AWAY FROM AREA DURING USE.** Palm hammer may hit a nail at an awkward angle, which could cause it to become a dangerous projectile.
6. **DO NOT CARRY THE PALM HAMMER BY THE AIR HOSE.**
7. **DO NOT ACTUATE THE PALM HAMMER ON ANY PART OF YOUR BODY** or on any bystanders. The hammering action can quickly cause an injury.

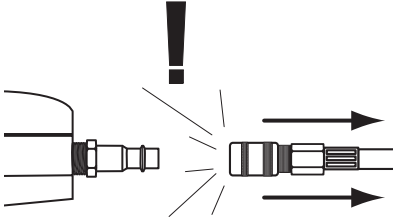
**! WARNING**



Operating this palm hammer can propel objects into the air, causing immediate eye damage. To protect yourself, always wear American National Standards Institute (ANSI) approved safety glasses or goggles.

To protect your hearing, always wear ANSI approved ear protection when operating this palm hammer.

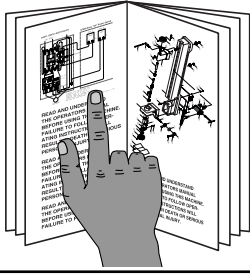
**! WARNING**



Always disconnect air from palm air hammer whenever cleaning! If connected to air, hammer may actuate accidentally, causing serious personal injury!

# INTRODUCTION

## **WARNING**



**Read the manual before operating the palm hammer. Become familiar with this tool, its safety instructions, and its operation before beginning any work. Serious personal injury may result if safety or operational information is not understood or followed.**

We are proud to offer the Grizzly Model H3142 Pneumatic Palm Hammer Kit. The Model H3142 is part of a growing Grizzly family of fine power tools. When used according to the guidelines set forth in this manual, you can expect years of trouble-free, enjoyable operation and proof of Grizzly's commitment to customer satisfaction.

The Model H3142 Pneumatic Palm Hammer Kit will allow you to drive common nails in tight spots and have the power of a hammer in the palm of your hand. Includes chisel, steel-faced hammer head, soft-faced hammer head, leather hand strap bag, 2 finish nail drivers, 2 regular nail drivers and a durable plastic carrying case.

We are pleased to provide this manual with the Model H3142. It was written to encourage safety considerations and guide you through general operating procedures and maintenance. This manual represents our effort to produce the best documentation possible.

The specifications, details, and photographs in this manual represent the Model H3142 as supplied when the manual was prepared. However, owing to Grizzly's policy of continuous improvement, changes may be made at any time with no obligation on the part of Grizzly. If you have any comments regarding this manual, please write to us at the address below:

Grizzly Industrial, Inc.  
c/o Technical Documentation  
P.O. Box 2069  
Bellingham, WA 98227-2069

Most important, we stand behind our tools. If you have any service questions or parts requests, please call or write us at the location listed below.

Grizzly Industrial, Inc.  
1203 Lycoming Mall Circle  
Muncy, PA 17756  
Phone: (570) 546-9663  
Fax: (800) 438-5901  
E-Mail: [techsupport@grizzly.com](mailto:techsupport@grizzly.com)  
Web Site: <http://www.grizzly.com>

# OPERATION

## Connecting to Air System

The Model H3142 is designed to be operated at 80-120 psi. **DO NOT exceed the maximum operating pressure!**

**To connect the Model H3142 to an air compressor:**

1. Regulate the air pressure on the air compressor to barely over the minimum 80 PSI required to operate the palm hammer. *Increase air pressure only if needed.*
2. Attach your air compressor hose to the coupling on the palm hammer.

**NOTE:** Many pneumatic tools benefit from an in-line filter/lubricator/regulator unit. This attachment is connected by hoses between the air compressor and the palm hammer. Using this unit protects your tool from damaging water build-up, allows you to adjust and maintain constant air pressure to your tool, and saves you the inconvenience of having to manually lubricate your tool every time you use it. Check the current Grizzly catalog for availability of this unit. If you plan on installing a filter/lubricator/regulator unit in your compressed air system, always follow the connection instructions that come with the unit.

## **! WARNING**

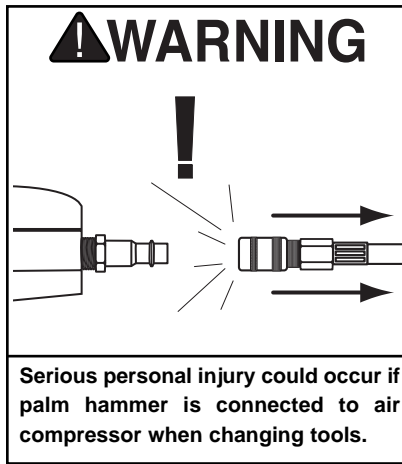
**Exceeding the maximum permissible operating pressure may cause the palm hammer to explode, blowing metal fragments in all directions. To protect yourself from serious personal injury, DO NOT allow your air compressor to exceed the recommended pressure when connected to this tool!**

## Basic Operation

The Model H3142 does not have an actuation trigger; instead, this unit actuates when one of the installed tools is depressed against the workpiece. *There is no safety mechanism so disconnect the palm hammer when not in use or when changing tools!*

Specific operating instructions for each tool will be described later in this manual.

## Changing Tools



**To change tools:**

1. **Disconnect the palm hammer from the air compressor.**
2. Unscrew the current attachment from the face of the palm hammer.
3. Make sure there is a spring inside the threaded portion of the tool before installing. *The longest and narrowest spring is for the chisel tool only.*
4. Screw the desired tool into the face of the palm hammer.

## Hand Strap Bag

The Model H3142 Pneumatic Palm Hammer Kit includes a hand strap bag to ease carrying and operation. **Figure 1** shows the hand strap bag attached to the palm hammer.



**Figure 1.** Hand strap bag on palm hammer.

### To use the hand strap bag:

1. Install the hand strap bag on the palm hammer and make sure each snap button is secure.
2. Place your fingers through the large strap and place your thumb through one of the small straps on the side, depending on which hand you prefer to use.

## Nail Drivers

The Model H3142 Pneumatic Palm Hammer Kit includes 2 regular nail drivers (**Figure 2**) and 2 finish nail drivers (**Figure 3**). Three of the nail drivers have a small magnet at the end to keep nails aligned.



**Figure 2.** Regular nail drivers.



**Figure 3.** Finish nail drivers.

The nail drivers attach to the palm hammer with the driver adapter shown in **Figure 4**.



**Figure 4.** Driver adapter.

### To use a nail driver:

1. With the air NOT connected to the palm hammer, install the desired nail driver tool as per the "Changing Tools" instructions on **page 5** of this manual, then connect the palm hammer to the air compressor.
2. Position the nail where you want to drive it.
3. Place the nail driver over the nail and start the nail with a light bump or tap of the palm hammer. *This action should only make the hammer actuate once.*
4. Making sure the nail is started deep enough to keep its position, firmly press the palm hammer into the nail and hold it until the nail is completely driven into the surface.



## Hammer Head Tools

The Model H3142 Pneumatic Palm Hammer Kit includes a steel-faced hammer head (**Figure 5**) and a soft-faced hammer head (**Figure 6**).



**Figure 5.** Steel-faced hammer head.



**Figure 6.** Soft-faced hammer head.

### To use the hammer head tools:

1. With the air NOT connected to the palm hammer, install the desired hammer head tool as per the "Changing Tools" instructions on **page 5** of this manual, then connect the palm hammer to the air compressor.
2. Tap the hammer head against the object for a single blow.
3. Press and hold the hammer head against the object for multiple blows.

## Chisel Tool

The Model H3142 Pneumatic Palm Hammer Kit includes a chisel tool as shown in **Figure 7**.



**Figure 7.** Chisel tool.

### To use the chisel tool:

1. With the air NOT connected to the palm hammer, install the chisel tool as per the "Changing Tools" instructions on **page 5** of this manual.
2. Before tightening, rotate chisel so blade is parallel to your work surface while the palm hammer is held at the intended angle of operation.
3. Tighten the jam nut on the chisel threads into the base of the palm hammer to keep the chisel secured in its determined position.
4. Connect the palm hammer to the air compressor.
5. Press the chisel against the workpiece to make it actuate.

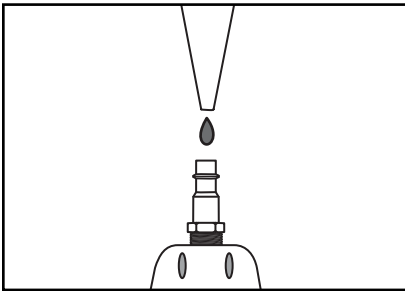
## Oiling Palm Hammer

Regular applications of oil will extend the useful life of the piston assembly.

Special oil has been included with your new Grizzly Palm Hammer. Before each use, and regularly during prolonged applications, place one drop of oil in the palm hammer air inlet as illustrated in **Figure 6**. After oiling, wipe off any excess oil near the exhaust to avoid dust build-up. When the oil that was included with the palm hammer has been completely used, replace it with Grizzly Model G2820 Pneumatic Tool Oil.

Another option to manual oiling would be to install a lubricator in your air compressor line. If your air compressor line already has a lubricator, then regular lubrication of your palm hammer will not be necessary. Just make sure there is always oil in the lubricator.

As mentioned before, the best option is to install a filter/lubricator/regulator unit such as the Grizzly Model H2333 in your air line.

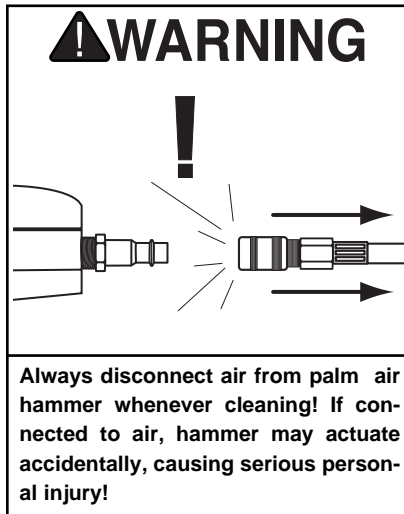


**Figure 6.** Lubricating palm hammer via air inlet.

## NOTICE

**Too much oil in the hammer will ruin the O-rings!**

## Cleaning Palm Hammer

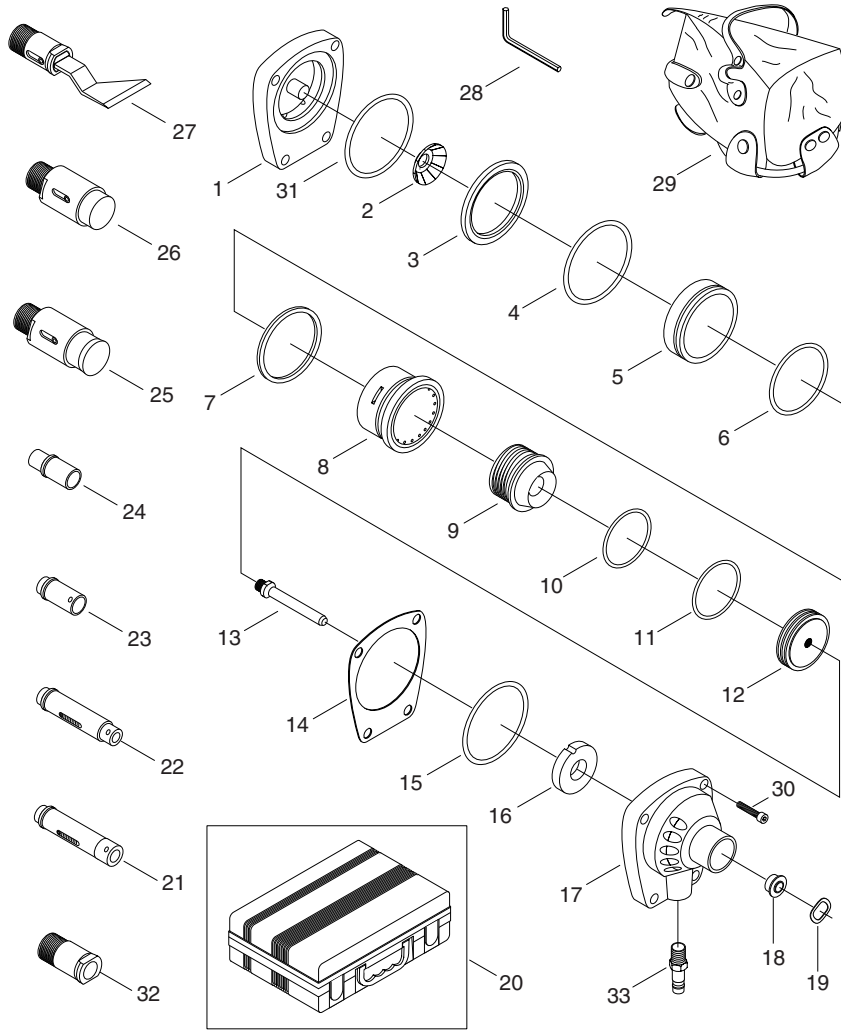


**Always disconnect air from palm air hammer whenever cleaning! If connected to air, hammer may actuate accidentally, causing serious personal injury!**

Do not allow dust, chips, sand, etc. into the air connectors or into the body of the palm hammer; this may result in leaks and damage to the palm hammer and the air fittings.

Use a good solvent to clean the palm hammer tools. Always be sure that the tools are dry before using them again.

# H3142 PART BREAKDOWN



REF	PART #	DESCRIPTION
1	PH3142001	REAR BODY
2	PH3142002	CRUSH SEAL
3	PH3142003	RUBBER SEAL
4	PH3142004	O-RING
5	PH3142005	SLEEVE
6	PH3142006	O-RING
7	PH3142007	O-RING
8	PH3142008	PUMP
9	PH3142009	PUMP COVER
10	PH3142010	O-RING
11	PH3142011	O-RING
12	PH3142012	PISTON
13	PH3142013	DRIVER
14	PH3142014	GASKET
15	PH3142015	O-RING
16	PH3142016	ANTI-VIBRATION PAD
17	PH3142017	FRONT BODY
18	PH3142018	GUIDE CAP
19	PH3142019	WAVY WASHER
20	PH3142020	PLASTIC CASE
21	PH3142021	LARGE HEAD NAILER
22	PH3142022	SMALL HEAD NAILER
23	PH3142023	MAGNETIC FINISH NAILER
24	PH3142024	STANDARD FINISH NAILER
25	PH3142025	SOFT HAMMER
26	PH3142026	STEEL HAMMER
27	PH3142027	CHISEL
28	PAW04M	ALLEN WRENCH 4MM
29	PH3142029	HAND STRAP BAG
30	PSB24M	CAP SCREW M5 X 16
31	PH3142031	O-RING
32	PH3142032	NAILER ADAPTER
33	PH3142033	AIR COUPLER

# NOTES

---

---

# WARRANTY AND RETURNS

---

---

Grizzly Industrial, Inc. warrants every product it sells for a period of **1 year** to the original purchaser from the date of purchase. This warranty does not apply to defects due directly or indirectly to misuse, abuse, negligence, accidents, repairs or alterations or lack of maintenance. This is Grizzly's sole written warranty and any and all warranties that may be implied by law, including any merchantability or fitness, for any particular purpose, are hereby limited to the duration of this written warranty. We do not warrant or represent that the merchandise complies with the provisions of any law or acts unless the manufacturer so warrants. In no event shall Grizzly's liability under this warranty exceed the purchase price paid for the product and any legal actions brought against Grizzly shall be tried in the State of Washington, County of Whatcom.

We shall in no event be liable for death, injuries to persons or property or for incidental, contingent, special, or consequential damages arising from the use of our products.

To take advantage of this warranty, contact us by mail or phone and give us all the details. We will then issue you a "Return Authorization Number," which must be clearly posted on the outside as well as the inside of the carton. We will not accept any item back without this number. Proof of purchase must accompany the merchandise.

The manufacturers reserve the right to change specifications at any time because they constantly strive to achieve better quality equipment. We make every effort to ensure that our products meet high quality and durability standards and we hope you never need to use this warranty.

Please feel free to write or call us if you have any questions about the machine or the manual.

Grizzly Industrial, Inc.  
1203 Lycoming Mall Circle  
Muncy, PA 17756  
Phone: (570) 546-9663  
Fax: (800) 438-5901

E-Mail:  
techsupport@grizzly.com

Web Site: <http://www.grizzly.com>

Thank you again for your business and continued support. We hope to serve you again soon!

# WARRANTY CARD

Name \_\_\_\_\_

Street \_\_\_\_\_

City \_\_\_\_\_ State \_\_\_\_\_ Zip \_\_\_\_\_

Phone Number \_\_\_\_\_ E-Mail \_\_\_\_\_ FAX \_\_\_\_\_

Model # \_\_\_\_\_ Serial# \_\_\_\_\_ Order # \_\_\_\_\_

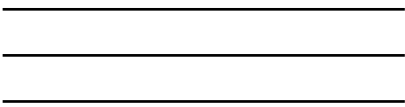
The following information is given on a voluntary basis. It will be used for marketing purposes to help us develop better products and services. Of course, all information is strictly confidential.

1. How did you learn about us?  
 Advertisement       Friend  
 Catalog               Card Deck  
 World Wide Web  
 Other \_\_\_\_\_
2. What is your annual household income?  
 \$20,000-\$29,999       \$60,000-\$69,999  
 \$30,000-\$39,999       \$70,000-\$79,999  
 \$40,000-\$49,999       \$80,000-\$89,999  
 \$50,000-\$59,999       \$90,000 +
3. What is your age group?  
 20-29                   50-59  
 30-39                   60-69  
 40-49                   70 +
4. How long have you been a woodworker?  
 0 - 2 Years             8 - 20 Years  
 2 - 8 Years             20+ Years
5. How would you rank your woodworking skills?  
 Simple                   Advanced  
 Intermediate           Master Craftsman
6. What stationary woodworking tools do you own?  
Check all that apply.  
 Air Compressor       Panel Saw  
 Band Saw               Planer  
 Drill Press             Power Feeder  
 Drum Sander          Radial Arm Saw  
 Dust Collector        Shaper  
 Spindle Sander       Jointer  
 Table Saw             Lathe  
 Mortiser               Wide Belt Sander  
 Horiz.Boring Machine  
 Vacuum Veneer Press  
 Other \_\_\_\_\_
7. How many of your woodworking machines are Grizzly? \_\_\_\_\_
8. Which benchtop tools do you own? Check all that apply.  
 1"x42" Belt Sander     6" - 8" Grinder  
 5" - 8" Drill Press     Mini Lathe  
 8" Table Saw          8" - 10" Bandsaw  
 Scroll Saw             Disc/Belt Sander  
 Spindle/Belt Sander  Mini Jointer  
 10"-12"Thickness Planer  
 Other \_\_\_\_\_
9. How many of the machines checked above are Grizzly? \_\_\_\_\_
10. Which portable/hand held power tools do you own?  
Check all that apply.  
 Belt Sander             Orbital Sander  
 Biscuit Joiner        Palm Sander  
 Circular Saw           Portable Planer  
 Detail Sander          Saber Saw  
 Drill/Driver           Reciprocating Saw  
 Miter Saw              Router  
 Other \_\_\_\_\_
11. What machines/supplies would you like Grizzly Industrial to carry?  
\_\_\_\_\_  
\_\_\_\_\_  
\_\_\_\_\_
12. What new accessories would you like Grizzly Industrial to carry?  
\_\_\_\_\_  
\_\_\_\_\_  
\_\_\_\_\_
13. What other companies do you purchase your tools and supplies from?  
\_\_\_\_\_  
\_\_\_\_\_  
\_\_\_\_\_
14. Do you think your purchase represents good value?  
 Yes                     No
15. Would you recommend Grizzly to a friend?  
 Yes                     No
16. Would you allow us to use your name as a reference for Grizzly customers in your area? **Note: We never use names more than three times.**  
 Yes                     No
17. Comments: \_\_\_\_\_  
\_\_\_\_\_  
\_\_\_\_\_

Send a Grizzly Catalog to a friend:

Name _____
Street _____
City _____ State _____ Zip _____

FOLD ALONG DOTTED LINE



Place  
Stamp  
Here



**GRIZZLY INDUSTRIAL, INC.**  
**P.O. BOX 2069**  
**BELLINGHAM, WA 98227-2069**



TAPE ALONG EDGES--PLEASE DO NOT NAIL



## Free Manuals Download Website

<http://myh66.com>

<http://usermanuals.us>

<http://www.somanuals.com>

<http://www.4manuals.cc>

<http://www.manual-lib.com>

<http://www.404manual.com>

<http://www.luxmanual.com>

<http://aubethermostatmanual.com>

Golf course search by state

<http://golfingnear.com>

Email search by domain

<http://emailbydomain.com>

Auto manuals search

<http://auto.somanuals.com>

TV manuals search

<http://tv.somanuals.com>