

Grizzly *Industrial, Inc.*®

MODEL G0548Z/ G1028Z2/G1029Z2 DUST COLLECTOR OWNER'S MANUAL



G0548Z



G1028Z2/G1029Z2

COPYRIGHT © APRIL, 2009 BY GRIZZLY INDUSTRIAL, INC., REVISED MARCH, 2011 (BL)
**WARNING: NO PORTION OF THIS MANUAL MAY BE REPRODUCED IN ANY SHAPE
OR FORM WITHOUT THE WRITTEN APPROVAL OF GRIZZLY INDUSTRIAL, INC.**
(FOR MODELS MANUFACTURED SINCE 3/09) #JB11678 PRINTED IN TAIWAN

 **WARNING!**

This manual provides critical safety instructions on the proper setup, operation, maintenance, and service of this machine/tool. Save this document, refer to it often, and use it to instruct other operators.

Failure to read, understand and follow the instructions in this manual may result in fire or serious personal injury—including amputation, electrocution, or death.

The owner of this machine/tool is solely responsible for its safe use. This responsibility includes but is not limited to proper installation in a safe environment, personnel training and usage authorization, proper inspection and maintenance, manual availability and comprehension, application of safety devices, cutting/sanding/grinding tool integrity, and the usage of personal protective equipment.

The manufacturer will not be held liable for injury or property damage from negligence, improper training, machine modifications or misuse.

 **WARNING!**

Some dust created by power sanding, sawing, grinding, drilling, and other construction activities contains chemicals known to the State of California to cause cancer, birth defects or other reproductive harm. Some examples of these chemicals are:

- **Lead from lead-based paints.**
- **Crystalline silica from bricks, cement and other masonry products.**
- **Arsenic and chromium from chemically-treated lumber.**

Your risk from these exposures varies, depending on how often you do this type of work. To reduce your exposure to these chemicals: Work in a well ventilated area, and work with approved safety equipment, such as those dust masks that are specially designed to filter out microscopic particles.

Table of Contents

INTRODUCTION	2	SECTION 7: MAINTENANCE	38
Manual Accuracy	2	Schedule	38
Contact Info.....	2	Lubrication	38
Machine Description	2	Bag Cleaning	38
G0548Z Identification.....	3	Emptying/Replacing Bags.....	39
G1028Z2/G1029Z2 Identification.....	4	SECTION 8: SERVICE	40
Machine Data Sheet	5	Troubleshooting	40
SECTION 1: SAFETY	11	SECTION 9: WIRING	42
Safety Instructions for Machinery	11	Wiring Safety Instructions	42
Additional Safety for Dust Collectors	13	G0548Z Wiring Diagram	43
SECTION 2: POWER SUPPLY	14	G1028Z2 Wiring Diagram	44
Voltage Conversion.....	16	G1029Z2 Wiring Diagram	45
SECTION 3: SETUP	17	SECTION 10: PARTS	46
Needed for Setup.....	17	G0548Z Main Breakdown	46
Unpacking	17	G0548Z Main Parts List.....	47
G0548Z Inventory	18	H5783 Canister Filter Assembly	48
G1028Z2/G1029Z2 Inventory	19	G1028Z2/G1029Z2 Parts Breakdown	49
Site Considerations.....	20	G1028Z2 Parts List.....	50
G0548Z Assembly	20	G1029Z2 Parts List.....	50
G1028Z2/G1029Z2 Assembly	23	WARRANTY AND RETURNS	53
Test Run	26		
SECTION 4: DESIGNING THE SYSTEM	27		
General	27		
Duct Material.....	27		
System Design.....	29		
System Grounding	33		
SECTION 5: OPERATIONS	35		
SECTION 6: ACCESSORIES	36		


INTRODUCTION

Manual Accuracy

We are proud to offer this manual with your new machine! We've made every effort to be exact with the instructions, specifications, drawings, and photographs of the machine we used when writing this manual. However, sometimes we still make an occasional mistake.

Also, owing to our policy of continuous improvement, **your machine may not exactly match the manual**. If you find this to be the case, and the difference between the manual and machine leaves you in doubt, check our website for the latest manual update or call technical support for help.

Before calling, find the manufacture date of your machine by looking at the date stamped into the machine ID label (see below). This will help us determine if the manual version you received matches the manufacture date of your machine.

		MODEL GXXXX MACHINE NAME
SPECIFICATIONS		WARNING!
Motor:		ing this machine:
Specification:		s and respirator.
Specification:		sted/setup and
Specification:		suit before starting.
Specification:		
Weight:		
<input type="text"/>	Date	
<input type="text"/>	Serial Number	
Manufactured for Grizzly in Taiwan		

Manufacture Date of Your Machine

4. make sure the motor has stopped and disconnect power before adjustments, maintenance, or service.
5. DO NOT expose to rain or dampness.
6. DO NOT modify this machine in any way.
7. DO NOT remove safety guards.
8. Never leave machine running unattended.
9. DO NOT operate under the influence of drugs or alcohol.
10. Maintain machine carefully to prevent accidents.

For your convenience, we post all available manuals and manual updates for free on our website at www.grizzly.com. Any updates to your model of machine will be reflected in these documents as soon as they are complete.

Contact Info

We stand behind our machines. If you have any questions or need help, use the information below to contact us. Before contacting, please get the serial number and manufacture date of your machine. This will help us help you faster.

Grizzly Technical Support
1203 Lycoming Mall Circle
Muncy, PA 17756
Phone: (570) 546-9663
Email: techsupport@grizzly.com

We want your feedback on this manual. What did you like about it? Where could it be improved? Please take a few minutes to give us feedback.

Grizzly Documentation Manager
P.O. Box 2069
Bellingham, WA 98227-2069
Email: manuals@grizzly.com

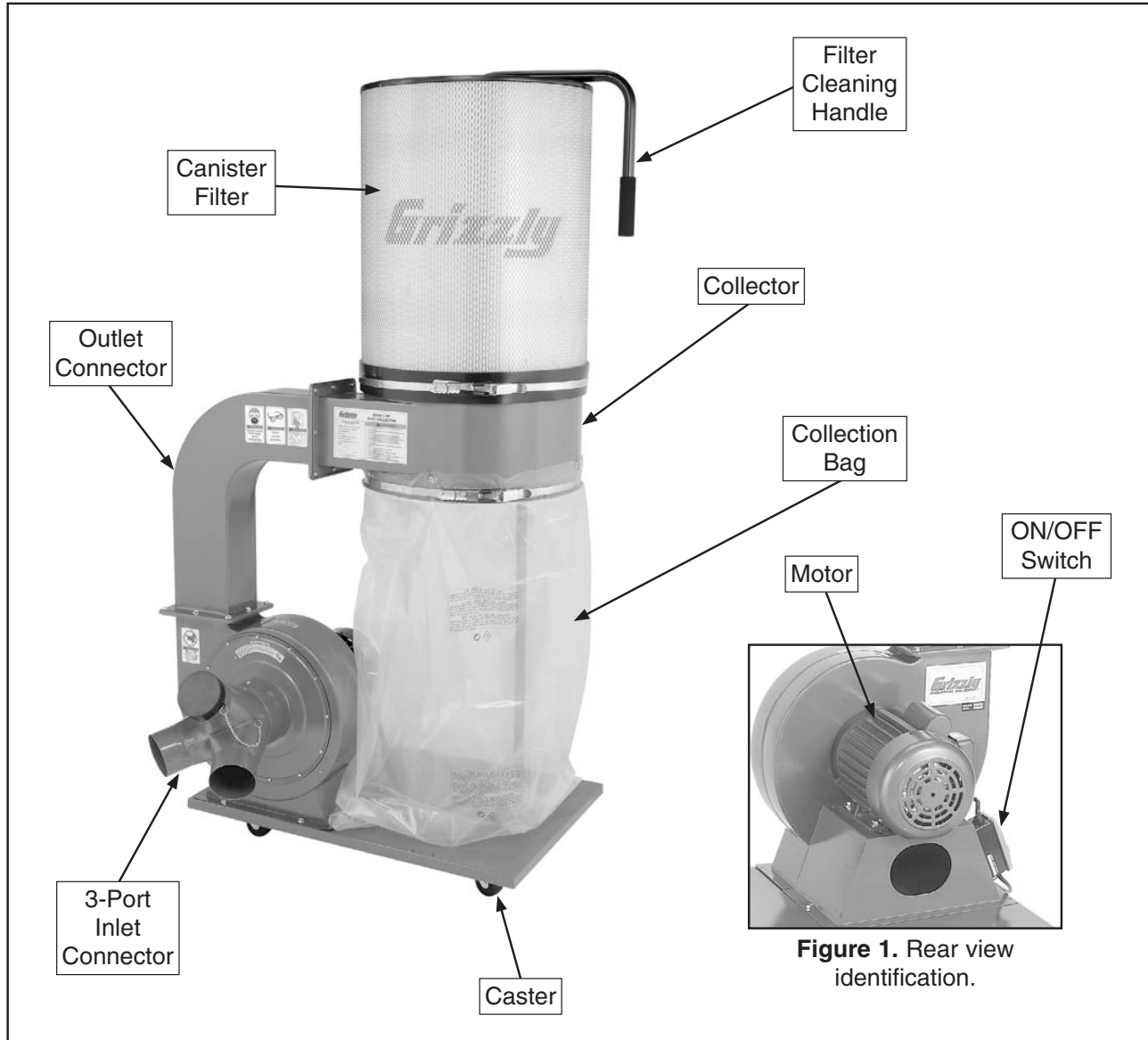
Machine Description

This machine is designed to capture dust and wood chips from woodworking machines, such as table saws, jointers, and planers. The air drawn in by the dust collector is filtered before it returns to your workspace.

A wide variety of accessories for setting up a stationary or mobile dust collection system are available through Grizzly.



G0548Z Identification



G1028Z2/G1029Z2 Identification

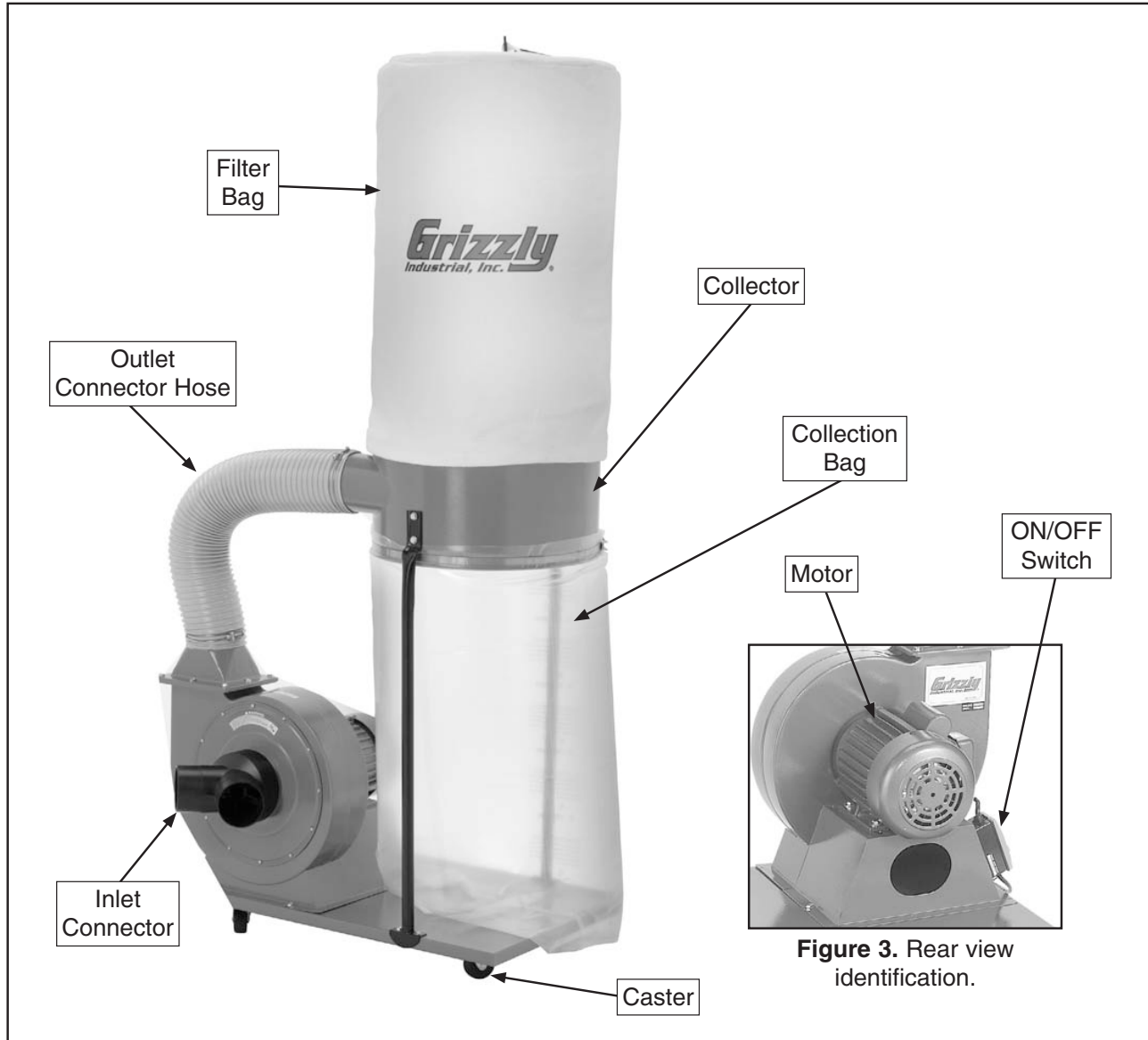


Figure 4. Model G1028Z2/G1029Z2 identification.





MACHINE DATA SHEET

Customer Service #: (570) 546-9663 · To Order Call: (800) 523-4777 · Fax #: (800) 438-5901

MODEL G0548Z 2HP CANISTER DUST COLLECTOR

Product Dimensions:

Weight..... 145 lbs.
Width (side-to-side) x Depth (front-to-back) x Height..... 37-3/8 x 31-1/2 x 71 in.
Footprint (Length x Width)..... 33-1/2 x 21-1/4 in.

Shipping Dimensions:

Carton #1

Type..... Cardboard
Content..... Machine
Weight..... 126 lbs.
Length x Width x Height..... 36 x 23 x 23 in.

Carton #2

Type..... Cardboard
Content..... Canister
Weight..... 29 lbs.
Length x Width x Height..... 22 x 22 x 28 in.

Electrical:

Power Requirement..... 220V, Single-Phase, 60 Hz
Full-Load Current Rating..... 12A
Minimum Circuit Size..... 15A
Switch..... On/Off Push Button
Switch Voltage..... 220V
Cord Length..... 6 ft.
Cord Gauge..... 14 gauge
Plug Included..... No
Recommended Plug/Outlet Type..... NEMA 6-15

Motors:

Main

Type..... TEFC Capacitor Start Induction
Horsepower..... 2 HP
Voltage..... 220V
Phase..... Single
Amps..... 12A
Speed..... 3450 RPM
Cycle..... 60 Hz
Number of Speeds..... 1
Power Transfer Direct Drive
Bearings..... Sealed and Permanently Lubricated



Main Specifications:

Operation

Air Suction Capacity.....	1700 CFM
Maximum Static Pressure.....	10 in.
Main Inlet Size.....	6 in.
Manifold Included.....	Yes
Manifold Inlets.....	3
Manifold Inlet Size.....	4 in.
Maximum Material Collection Capacity.....	4.5 cu. ft.
Canister Filtration.....	1 micron

Bag Information

No of Lower Bags.....	1
Lower Bag Capacity.....	5.7 cu. ft.
Lower Bags Total Area.....	5.7 cu. ft.
Lower Bag Diameter.....	19-1/2 in.
Lower Bag Length.....	33 in.

Canister Information

No of Canister Filters.....	1
Canister Filter Diameter.....	19-5/8 in.
Canister Filter Length.....	23-5/8 in.

Impeller Information

Impeller Type.....	Radial Fin
Impeller Size.....	12-3/4 in.
Impeller Blade Thickness.....	1/8 in.

Construction

Lower Bag.....	Clear Plastic
Canister.....	Spun Bond Polyester
Base.....	Fabricated Sheet Metal with Casters
Frame.....	Fabricated Sheet Metal
Caster.....	High Density Plastic
Impeller.....	Steel, Riveted Fins
Paint.....	Powder Coated

Other

Height With Bags Inflated.....	71 in.
--------------------------------	--------

Other Specifications:

ISO Factory	ISO 9001
Country Of Origin	Taiwan
Warranty	1 Year
Serial Number Location	On Machine Label
Assembly Time	45 minutes
Sound Rating	74 dB

Features:

- Simply Turn the Handle on the Top a Half Turn in Either Direction for Cleaning the Canister
- Handle Controls Three Cleaning Flappers Inside and Shakes the Dust from the Filter
- Fine Dust from Filter Falls Directly into the Collection Bag
- Clear Plastic Collection Bag with Quick Clamp
- Extra Bottom Bags Included
- Heavy Duty Steel Intake Improves Rigidity
- Canister Filters have 6 Times the Filtering Area of Regular Bags
- Includes Steel Base with Casters





MACHINE DATA SHEET

Customer Service #: (570) 546-9663 · To Order Call: (800) 523-4777 · Fax #: (800) 438-5901

MODEL G1028Z2 1-1/2 HP DUST COLLECTOR WITH NEW IMPELLER

Product Dimensions:

Weight..... 95 lbs
 Width (side-to-side) x Depth (front-to-back) x Height..... 33-1/2 x 21-1/4 x 78 in.
 Footprint (Length x Width)..... 33-1/2 x 21-1/4 in.

Shipping Dimensions:

Type..... Cardboard
 Content..... Machine
 Weight..... 113 lbs.
 Length x Width x Height..... 35 x 23 x 23 in.

Electrical:

Power Requirement..... 110V/220V, Single-Phase, 60 Hz
 Prewired Voltage..... 110V
 Full-Load Current Rating..... 18A at 110V, 9A at 220V
 Minimum Circuit Size..... 30A at 110V, 15A at 220V
 Switch..... Push Button
 Switch Voltage..... 110V/220V
 Cord Length..... 6 ft.
 Cord Gauge..... 14 gauge
 Plug Included..... No
 Recommended Plug/Outlet Type..... NEMA L5-30 at 110V, 6-15 at 220V

Motors:

Main

Type..... TEFC Capacitor Start Induction
 Horsepower..... 1-1/2 HP
 Voltage..... 110V/220V
 Prewired..... 110V
 Phase..... Single
 Amps..... 18/9A
 Speed..... 3450 RPM
 Cycle..... 60 Hz
 Number of Speeds..... 1
 Power Transfer..... Direct Drive
 Bearings..... Sealed and Lubricated for Life

Main Specifications:

Operation

Air Suction Capacity..... 1300 CFM
 Maximum Static Pressure..... 9 in.
 Main Inlet Size..... 6 in.
 Manifold Included..... Yes
 Manifold Inlets..... 2
 Manifold Inlet Size..... 4 in.
 Machine Collection Capacity At One Time..... 2 in.
 Maximum Material Collection Capacity..... 5.7 cu. ft.
 Upper Bag Filtration..... 2.5 micron



Bag Information

No of Upper Bags.....	1
Upper Bag Capacity.....	5.7 cu. ft.
Lower Bag Capacity.....	5.7 cu. ft.
No of Lower Bags.....	1
Upper Bags Total Area.....	5.7 cu. ft.
Lower Bags Total Area.....	5.7 cu. ft.
Upper Bag Diameter.....	19-1/2 in.
Upper Bag Length.....	33 in.
Lower Bag Diameter.....	19-1/2 in.
Lower Bag Length.....	33 in.

Impeller Information

Impeller Type.....	Radial Fin
Impeller Size.....	12-3/4 in.
Impeller Blade Thickness.....	1/8 in.

Construction

Upper Bag.....	Fabric
Lower Bag.....	Plastic
Base.....	Fabricated Sheet Metal with Casters
Frame.....	Formed Steel
Caster.....	High Density Plastic
Impeller.....	Balanced Steel, Riveted Fins
Paint.....	Powder Coated

Other

Height With Bags Inflated.....	78 in.
--------------------------------	--------

Other Specifications:

ISO Factory	ISO 9001
Country Of Origin	Taiwan
Warranty	1 Year
Serial Number Location	Machine Label Above Magnetic On/Off Switch
Assembly Time	45 Minutes

Features:

- Large Capacity
- Powder Coated Paint
- Includes Steel Base with Casters





MACHINE DATA SHEET

Customer Service #: (570) 546-9663 · To Order Call: (800) 523-4777 · Fax #: (800) 438-5901

MODEL G1029Z2 2 HP DUST COLLECTOR WITH 2.5 MICRON BAG AND NEW IMPELLER

Product Dimensions:

Weight..... 95 lbs.
Width (side-to-side) x Depth (front-to-back) x Height..... 33-1/2 x 21-1/4 x 78 in.
Footprint (Length x Width)..... 33-1/2 x 21-1/4 in.

Shipping Dimensions:

Type..... Cardboard
Content..... Machine
Weight..... 123 lbs.
Length x Width x Height..... 36 x 23 x 22 in.

Electrical:

Power Requirement..... 220V, Single-Phase, 60 Hz
Full-Load Current Rating..... 12A
Minimum Circuit Size..... 15A
Switch..... Push Button
Switch Voltage..... 220V
Cord Length..... 6 ft.
Cord Gauge..... 14 gauge
Plug Included..... No
Recommended Plug/Outlet Type..... NEMA 6-15

Motors:

Main

Type..... TEFC Capacitor Start Induction
Horsepower..... 2 HP
Voltage..... 220V
Phase..... Single
Amps..... 12A
Speed..... 3450 RPM
Cycle..... 60 Hz
Number of Speeds..... 1
Power Transfer..... Direct Drive
Bearings..... Sealed and Lubricated for Life

Main Specifications:

Operation

Air Suction Capacity..... 1550 CFM
Maximum Static Pressure..... 11 in.
Main Inlet Size..... 6 in.
Manifold Included..... Yes
Manifold Inlets..... 2
Manifold Inlet Size..... 4 in.
Machine Collection Capacity At One Time..... 2
Maximum Material Collection Capacity..... 5.7 cu. ft.
Upper Bag Filtration..... 2.5 micron



Bag Information

No of Upper Bags.....	1
Upper Bag Capacity.....	5.7 cu. ft.
Lower Bag Capacity.....	5.7 cu. ft.
No of Lower Bags.....	1
Upper Bags Total Area.....	5.7 cu. ft.
Lower Bags Total Area.....	5.7 cu. ft.
Upper Bag Diameter.....	19-1/2 in.
Upper Bag Length.....	33 in.
Lower Bag Diameter.....	19-1/2 in.
Lower Bag Length.....	33 in.

Impeller Information

Impeller Type.....	Radial Fin
Impeller Size.....	12-3/4 in.
Impeller Blade Thickness.....	1/8 in.

Construction

Upper Bag.....	Fabric
Lower Bag.....	Plastic
Base.....	Fabricated Sheet Metal with Casters
Frame.....	Formed Steel
Caster.....	High Density Plastic
Impeller.....	Balanced Steel, Riveted Fins
Paint.....	Powder Coated

Other

Height With Bags Inflated.....	78 in.
--------------------------------	--------

Other Specifications:

ISO Factory	ISO 9001
Country Of Origin	Taiwan
Warranty	1 Year
Serial Number Location	Machine Label Above Magnetic On/Off Switch
Awards	Wood Magazine Top Value 1997, Popular Woodworking Editor's Choice, Popular Woodworking Readers' Choice
Assembly Time	45 Minutes

Features:

- Powder Coated Paint
- Includes Steel Base with Casters



SECTION 1: SAFETY

WARNING

For Your Own Safety, Read Instruction Manual Before Operating this Machine

The purpose of safety symbols is to attract your attention to possible hazardous conditions. This manual uses a series of symbols and signal words intended to convey the level of importance of the safety messages. The progression of symbols is described below. Remember that safety messages by themselves do not eliminate danger and are not a substitute for proper accident prevention measures.



Indicates an imminently hazardous situation which, if not avoided, WILL result in death or serious injury.



Indicates a potentially hazardous situation which, if not avoided, COULD result in death or serious injury.



Indicates a potentially hazardous situation which, if not avoided, MAY result in minor or moderate injury. It may also be used to alert against unsafe practices.

NOTICE

This symbol is used to alert the user to useful information about proper operation of the machine.

WARNING

Safety Instructions for Machinery

OWNER'S MANUAL. Read and understand this owner's manual BEFORE using machine. Untrained users can be seriously hurt.

EYE PROTECTION. Always wear ANSI-approved safety glasses or a face shield when operating or observing machinery to reduce the risk of eye injury or blindness from flying particles. Everyday eyeglasses are not approved safety glasses.

HAZARDOUS DUST. Dust created while using machinery may cause cancer, birth defects, or long-term respiratory damage. Be aware of dust hazards associated with each workpiece material, and always wear a NIOSH-approved respirator to reduce your risk.

WEARING PROPER APPAREL. Do not wear clothing, apparel, or jewelry that can become entangled in moving parts. Always tie back or cover long hair. Wear non-slip footwear to avoid accidental slips which could cause a loss of workpiece control.

HEARING PROTECTION. Always wear hearing protection when operating or observing loud machinery. Extended exposure to this noise without hearing protection can cause permanent hearing loss.

MENTAL ALERTNESS. Be mentally alert when running machinery. Never operate under the influence of drugs or alcohol, when tired, or when distracted.



WARNING

DISCONNECTING POWER SUPPLY. Always disconnect machine from power supply before servicing, adjusting, or changing cutting tools (bits, blades, cutters, etc.). Make sure switch is in OFF position before reconnecting to avoid an unexpected or unintentional start.

APPROVED OPERATION. Untrained operators can be seriously hurt by machinery. Only allow trained or properly supervised people to use machine. When machine is not being used, disconnect power, remove switch keys, or lock-out machine to prevent unauthorized use—especially around children. Make workshop kid proof!

DANGEROUS ENVIRONMENTS. Do not use machinery in wet or rainy locations, cluttered areas, around flammables, or in poorly-lit areas. Keep work area clean, dry, and well-lighted to minimize risk of injury.

ONLY USE AS INTENDED. Only use machine for its intended purpose. Never modify or alter machine for a purpose not intended by the manufacturer or serious injury may result!

USE RECOMMENDED ACCESSORIES. Consult this owner's manual or the manufacturer for recommended accessories. Using improper accessories will increase the risk of serious injury.

CHILDREN & BYSTANDERS. Keep children and bystanders a safe distance away from work area. Stop using machine if children or bystanders become a distraction.

REMOVE ADJUSTING TOOLS. Never leave adjustment tools, chuck keys, wrenches, etc. in or on machine—especially near moving parts. Verify removal before starting!

SECURING WORKPIECE. When required, use clamps or vises to secure workpiece. A secured workpiece protects hands and frees both of them to operate the machine.

FEED DIRECTION. Unless otherwise noted, feed work against the rotation of blades or cutters. Feeding in the same direction of rotation may pull your hand into the cut.

FORCING MACHINERY. Do not force machine. It will do the job safer and better at the rate for which it was designed.

GUARDS & COVERS. Guards and covers can protect you from accidental contact with moving parts or flying debris. Make sure they are properly installed, undamaged, and working correctly before using machine.

NEVER STAND ON MACHINE. Serious injury or accidental contact with cutting tool may occur if machine is tipped. Machine may be damaged.

STABLE MACHINE. Unexpected movement during operations greatly increases the risk of injury and loss of control. Verify machines are stable/secure and mobile bases (if used) are locked before starting.

AWKWARD POSITIONS. Keep proper footing and balance at all times when operating machine. Do not overreach! Avoid awkward hand positions that make workpiece control difficult or increase the risk of accidental injury.

UNATTENDED OPERATION. Never leave machine running while unattended. Turn machine **OFF** and ensure all moving parts completely stop before walking away.

MAINTAIN WITH CARE. Follow all maintenance instructions and lubrication schedules to keep machine in good working condition. An improperly maintained machine may increase the risk of serious injury.

CHECK DAMAGED PARTS. Regularly inspect machine for damaged parts, loose bolts, mis-adjusted or mis-aligned parts, binding, or any other conditions that may affect safe operation. Always repair or replace damaged or mis-adjusted parts before operating machine.

EXPERIENCING DIFFICULTIES. If at any time you are experiencing difficulties performing the intended operation, stop using the machine! Contact our Technical Support Department at (570) 546-9663.



Additional Safety for Dust Collectors

WARNING

INTENDED USE. This dust collector is only intended for collecting wood dust and chips from wood-working machines. DO NOT use this dust collector to collect metal, dirt, pebbles, drywall, asbestos, lead paint, silica, liquids, aerosols, or any flammable, combustible, or hazardous materials.

HAZARDOUS DUST. Dust created while using machinery may cause cancer, birth defects, or long-term respiratory damage. Be aware of dust hazards associated with each workpiece material, and always wear a NIOSH-approved respirator to reduce your risk.

DUST ALLERGIES. Dust from certain woods may cause an allergic reaction in people and animals. Make sure you know what type of wood dust you will be exposed to in case there is a possibility of an allergic reaction.

WEAR RESPIRATOR. Fine dust that is too small to be caught in the filter will be blown into the ambient air during operation. Always wear a NIOSH approved respirator during operation and for a short time after to reduce your risk of permanent respiratory damage.

EMPTYING DUST. When emptying dust from the collection container, wear a respirator and safety glasses. Empty dust away from ignition sources and into an approved container.

DISCONNECTING POWER SUPPLY. Turn the switch OFF, disconnect the dust collector from the power supply, and allow the impeller to come to a complete stop before leaving the machine unattended or doing any service, cleaning, maintenance, or adjustments.

SUSPENDED DUST PARTICLES AND IGNITION SOURCES. DO NOT operate the dust collector in areas where explosion risks are high. Areas of high risk include, but are not limited to, areas near pilot lights, open flames, or other ignition sources.

FIRE SUPPRESSION. Only operate the dust collector in locations that contain a fire suppression system or have a fire extinguisher nearby.

IMPELLER HAZARDS. DO NOT place your hands or tools near the open inlet during operation for any reason. The powerful suction could easily cause accidental contact with the impeller which will cause serious personal injury or damage to the machine. Always keep small animals and children away from open dust collection inlets.

AVOIDING SPARKS. DO NOT allow steel or rocks to strike the impeller—this may produce sparks. Sparks can smolder in wood dust for a long time before a fire is detected. If you accidentally cut into wood containing tramp metal (nails, staples, spikes, etc.), immediately turn **OFF** the dust collector, disconnect it from power, and wait for the impeller to stop—then empty the collection container into an approved airtight metal container.

OPERATING LOCATION. To reduce respiratory exposure to fine dust, locate permanently installed dust collectors away from the working area, or in another room that is equipped with a smoke detector. DO NOT operate the dust collector in rainy or wet locations—exposure to water may create an shock hazard or decrease the life of the machine.

STATIC ELECTRICITY. Plastic dust lines generate high amounts of static electricity as dust chips pass through them. Although rare, sparks caused by static electricity can cause explosions or fire. To reduce this risk, make sure all dust lines are thoroughly grounded by using a grounding wire.

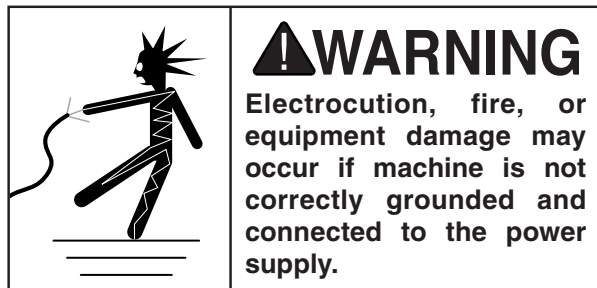
REGULAR CLEANING. Regularly check/empty the collection bags or drum to avoid the buildup of fine dust that can increase the risk of fire. Make sure to regularly clean the surrounding area where the machine is operated—excessive dust buildup on overhead lights, heaters, electrical panels, or other heat sources will increase the risk of fire.



SECTION 2: POWER SUPPLY

Availability

Before installing the machine, consider the availability and proximity of the required power supply circuit. If an existing circuit does not meet the requirements for this machine, a new circuit must be installed. To minimize the risk of electrocution, fire, or equipment damage, installation work and electrical wiring must be done by a qualified electrician in accordance with all applicable codes and standards.



Full-Load Current Rating

The full-load current rating is the amperage a machine draws at 100% of the rated output power. On machines with multiple motors, this is the amperage drawn by the largest motor or sum of all motors and electrical devices that might operate at one time during normal operations.

The full-load current is not the maximum amount of amps that the machine will draw. If the machine is overloaded, it will draw additional amps beyond the full-load rating.

If the machine is overloaded for a sufficient length of time, damage, overheating, or fire may result—especially if connected to an undersized circuit. To reduce the risk of these hazards, avoid overloading the machine during operation and make sure it is connected to a power supply circuit that meets the requirements in the following section.

Circuit Information

A power supply circuit includes all electrical equipment between the breaker box or fuse panel in the building and the machine. The power supply circuit used for this machine must be sized to safely handle the full-load current drawn from the machine for an extended period of time. (If this machine is connected to a circuit protected by fuses, use a time delay fuse marked D.)



Note: The circuit requirements listed in this manual apply to a dedicated circuit—where only one machine will be running at a time. If this machine will be connected to a shared circuit where multiple machines will be running at the same time, consult a qualified electrician to ensure that the circuit is properly sized for safe operation.

Circuit Requirements for G0548Z/ G1029Z2

Full-Load Current Rating.....	12 Amps
Nominal Voltage	220V/240V
Cycle.....	60 Hz
Phase	1-Phase
Circuit Rating.....	15 Amps
Plug/Receptacle	NEMA 6-15

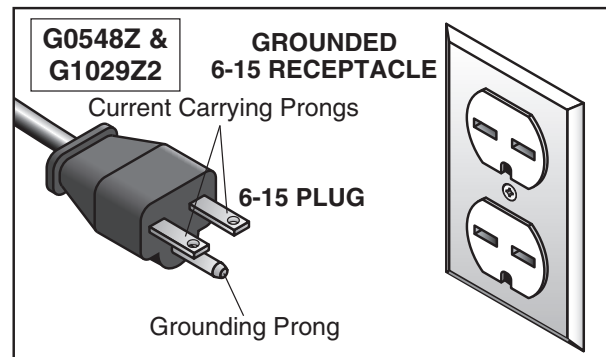


Figure 5. Typical 6-15 plug and receptacle.



G1028Z2 Circuit Requirements for 110V Operation

This machine is prewired to operate on a 110V power supply circuit that has a verified ground and meets the following requirements:

Full Load Current Rating	18A
Nominal Voltage	110V/120V
Cycle.....	60 Hz
Phase.....	Single-Phase
Circuit Rating.....	30 Amps
Plug/Receptacle	NEMA L5-30

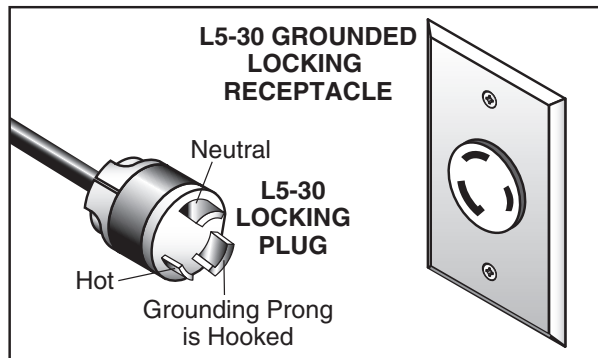


Figure 6. Typical L5-30 plug and receptacle.

G1028Z2 Circuit Requirements for 220V Operation

This machine can be converted to operate on a 220V power supply (refer to **Voltage Conversion** instructions). This power supply must have a verified ground and meet the following requirements:

Full Load Current Rating	9A
Nominal Voltage	220V/240V
Cycle.....	60 Hz
Phase.....	Single-Phase
Circuit Rating.....	15 Amps
Plug/Receptacle	NEMA 6-15

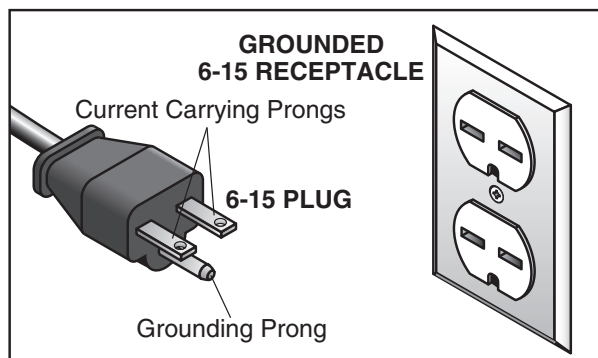


Figure 7. Typical 6-15 plug and receptacle.

Grounding Requirements

This machine **MUST** be grounded. In the event of certain malfunctions or breakdowns, grounding reduces the risk of electric shock by providing a path of least resistance for electric current.

The plug specified under "Circuit Requirements" has a grounding prong that must be attached to the equipment-grounding wire inside the included power cord. The plug must only be inserted into a matching receptacle (see **Figure 5** on **Page 14** and **Figures 6–7**) that is properly installed and grounded in accordance with all local codes and ordinances.

NOTICE

No adapter is available or should be used with this machine. If the machine must be reconnected for use on a different type of electric circuit, the reconnection should be made by qualified service personnel; and after reconnection, the machine must comply with all local codes and ordinances.

Improper connection of the equipment-grounding wire can result in a risk of electric shock. The wire with green insulation (with or without yellow stripes) is the equipment-grounding wire. If repair or replacement of the power cord or plug is necessary, do not connect the equipment-grounding wire to a live (current carrying) terminal.

Check with a qualified electrician or service personnel if you do not understand these grounding requirements, or if you are in doubt about whether the tool is properly grounded. If you ever notice that a cord or plug is damaged or worn, disconnect it from power, and immediately replace it with a new one.



Extension Cords

We do not recommend using an extension cord with this machine. If you must use an extension cord, only use it if absolutely necessary and only on a temporary basis.

Extension cords cause voltage drop, which may damage electrical components and shorten motor life. Voltage drop increases as the extension cord size gets longer and the gauge size gets smaller (higher gauge numbers indicate smaller sizes).

Any extension cord used with this machine must contain a ground wire, match the required plug and receptacle, and meet the following requirements:

Minimum Gauge Size for 110V 12 AWG
Minimum Gauge Size for 220V 14 AWG
Maximum Length (Shorter is Better) 50 ft.

Voltage Conversion

The Model G1028Z2 can be converted for 220V. This conversion requires re-wiring the motor and installing a 220V plug.

To convert the Model G1028Z2 to 220V:

1. DISCONNECT MACHINE FROM POWER!
2. Open the motor junction box, then loosen the screws indicated in **Figure 8**.

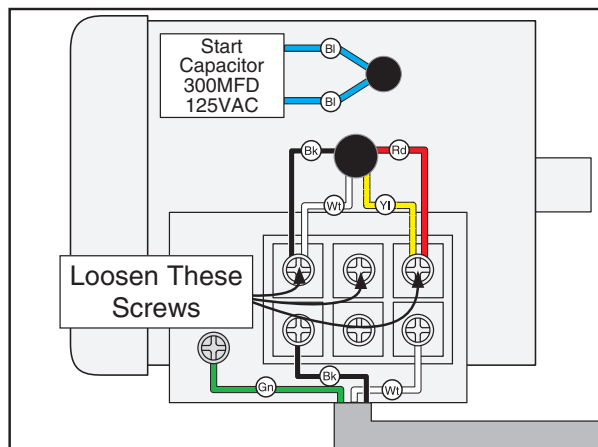


Figure 8. Location of screws to be loosened.

3. Reposition the wires as shown in **Figure 9**, then tighten the three screws loosened in **Step 2**.

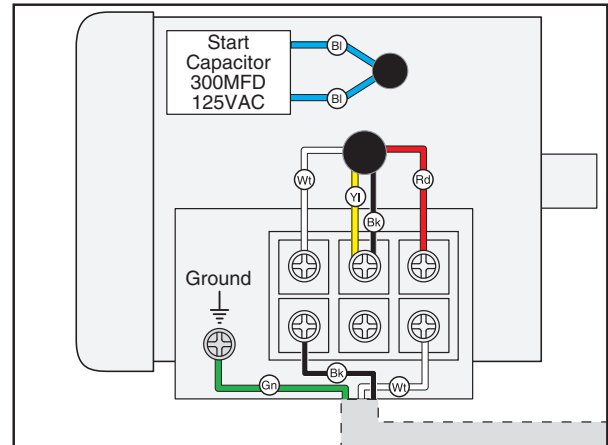


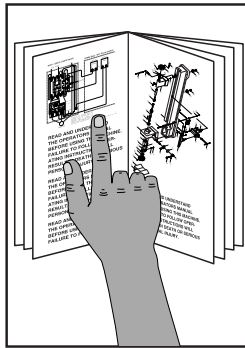
Figure 9. Motor re-wired for 220V operation.

4. Close and secure the motor junction box.
5. Install a 6-15 plug on the end of the cord, according to the instructions and wiring diagrams provided by the plug manufacturer.

—If the plug manufacturer did not include instructions, the wiring of a generic NEMA 6-15 plug is illustrated in the **Wiring** section on **Page 44**.

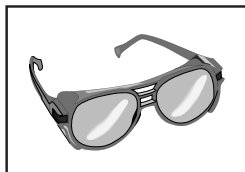


SECTION 3: SETUP



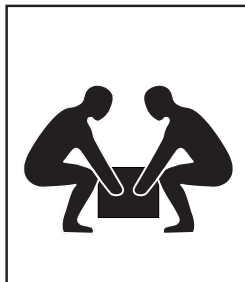
!WARNING

This machine presents serious injury hazards to untrained users. Read through this entire manual to become familiar with the controls and operations before starting the machine!



!WARNING

Wear safety glasses during the entire setup process!



!WARNING

This machine and its components are very heavy. Get lifting help or use power lifting equipment such as a forklift to move heavy items.

Needed for Setup

The following are needed to complete the setup process, but are not included with your machine:

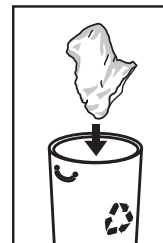
Description	Qty
• Safety Glasses (for each person).....	1
• Open End Wrench 12mm.....	1
• Phillips Head Screwdriver.....	1

Unpacking

Your machine was carefully packaged for safe transportation. Remove the packaging materials from around your machine and inspect it. If you discover any damage, *please call us immediately at (570) 546-9663 for advice.*

Save the containers and all packing materials for possible inspection by the carrier or its agent. *Otherwise, filing a freight claim can be difficult.*

When you are completely satisfied with the condition of your shipment, inventory the contents.



!WARNING

SUFFOCATION HAZARD!

Keep children and pets away from plastic bags or packing materials unpacked with this machine. Discard immediately.



G0548Z Inventory

The following is a description of the main components shipped with your machine. Lay the components out to inventory them.

If any non-proprietary parts are missing (e.g. a nut or a washer), we will gladly replace them; or for the sake of expediency, replacements can be obtained at your local hardware store.

Box 1: (Figure 10)	Qty
A. Motor & Impeller Assembly	1
B. Collector	1
C. Base	1
D. Inlet Connector 6" w/Three 4" Ports	1
E. Rubber Gaskets	2
F. Collection Bag & Clamp	
— Collection Bag Clamp	1
— Collection Bags	2
G. Canister Support	1
H. Hardware Bag	
— Casters	4
— Flange Bolts $\frac{5}{16}$ "-18 x $\frac{1}{2}$ "	40
— Tap Screw #10 x $\frac{3}{8}$ "	1
— Combo Wrench 10/12mm	1
— Hex Wrench 4mm	1
I. Outlet Connector	1

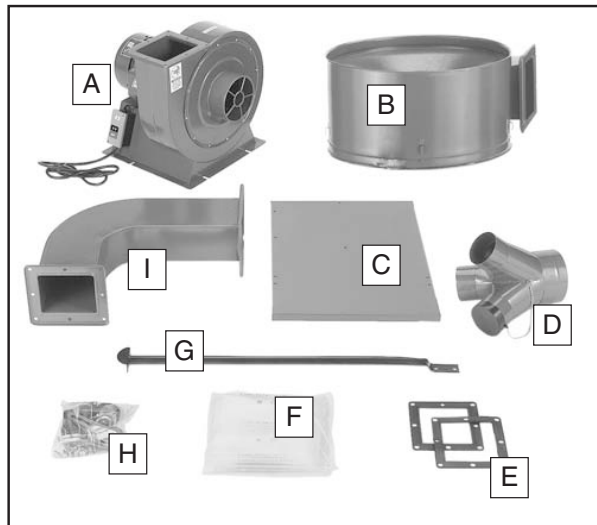


Figure 10. Model G0548Z box 1 inventory.

Box 2: (Figure 11)	Qty
J. Canister Filter	1
K. Foam Adhesive Bag	1
— Wide Foam Strip 5 x 42mm	1
— Narrow Foam Strip 6 x 20mm	1
L. Canister Belt Clamp	1
M. Canister Cleaning Handle	1



Figure 11. Model G0548Z box 2 inventory.

NOTICE

If you cannot find an item on this list, check the mounting location on the machine or the packaging materials. Sometimes parts are pre-installed for shipping, or they become hidden by packaging materials.



G1028Z2/G1029Z2 Inventory

The following is a description of the main components shipped with your machine. Lay the components out to inventory them.

If any non-proprietary parts are missing (e.g. a nut or a washer), we will gladly replace them; or for the sake of expediency, replacements can be obtained at your local hardware store.

Inventory:	Qty
A. Motor & Impeller Assembly	1
B. Collector Body Assembly	1
C. Y-Inlet	1
D. Base	1
E. Outlet Flange.....	1
F. Rubber Gasket	1
G. Flex Hose	1
H. Hose Clamps.....	2
I. Casters	4
J. Foam Strips	2
K. Bag Clamps.....	2
L. Lower Support Brackets.....	2
M. Upper Support Bracket.....	1
N. Lower Bag (Plastic)	1
O. Upper Bag (Fabric)	1

Not Pictured:	Qty
Flange Bolts $\frac{5}{16}$ "-18 x $\frac{1}{2}$ "	36

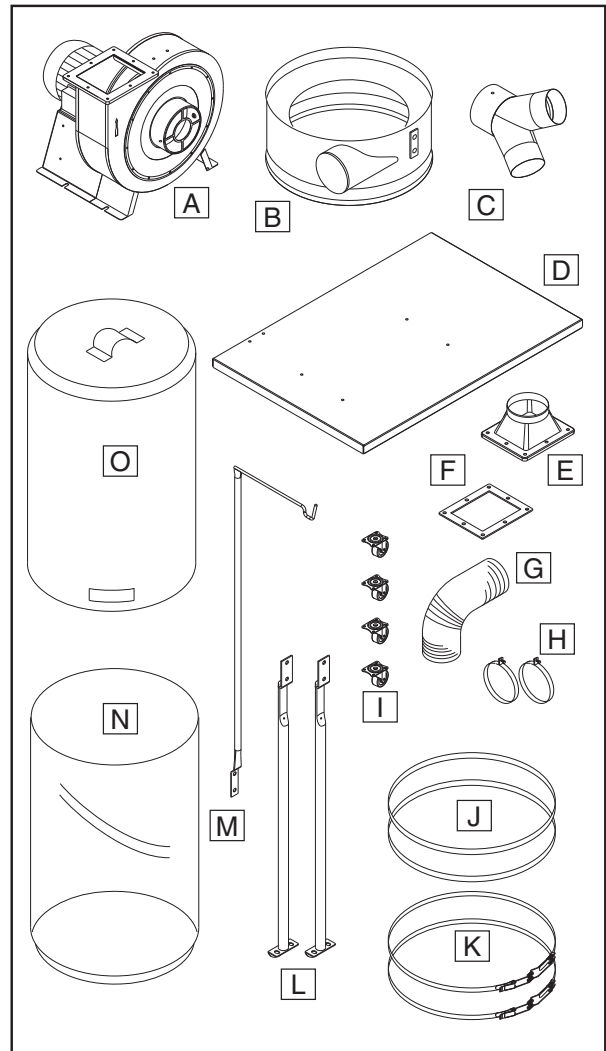


Figure 12. G1028Z2/G1029Z2 Inventory.

NOTICE

If you cannot find an item on this list, check the mounting location on the machine or the packaging materials. Sometimes parts are pre-installed for shipping, or they become hidden by packaging materials.



Site Considerations

Floor Load

Refer to the **Machine Data Sheet** for the weight and footprint specifications of your machine. Some residential floors may require additional reinforcement to support both the machine and operator.

Placement Location

Consider existing and anticipated needs, size of material to be processed through each machine, and space for auxiliary stands, work tables or other machinery when establishing a location for your new machine. See **Figure 13** for the minimum working clearances.

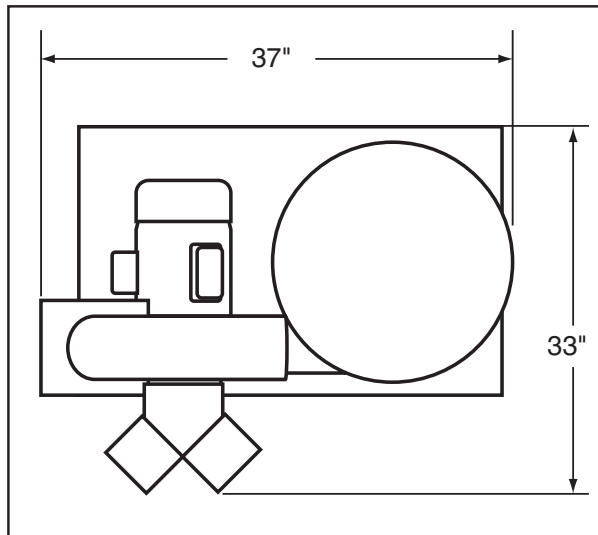
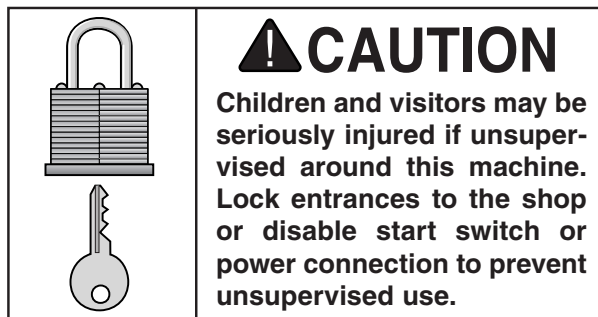


Figure 13. Minimum working clearances.



G0548Z Assembly

To assemble your dust collector:

1. Place the base upside down on a flat, protected surface.
2. Install the casters on to the base with (16) $\frac{5}{16}$ -18 x $\frac{1}{2}$ " flange bolts, as shown in **Figure 14**.

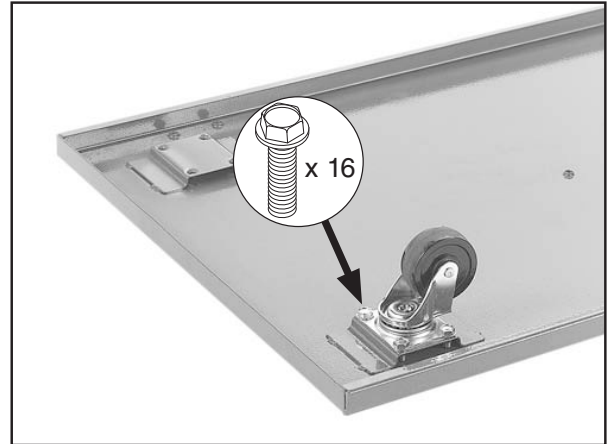


Figure 14. Caster installed onto the base.

3. Turn the base over, align the motor and impeller assembly with the mounting holes, then secure the assembly with (4) $\frac{5}{16}$ -18 x $\frac{1}{2}$ " flange bolts, as shown in **Figure 15**.

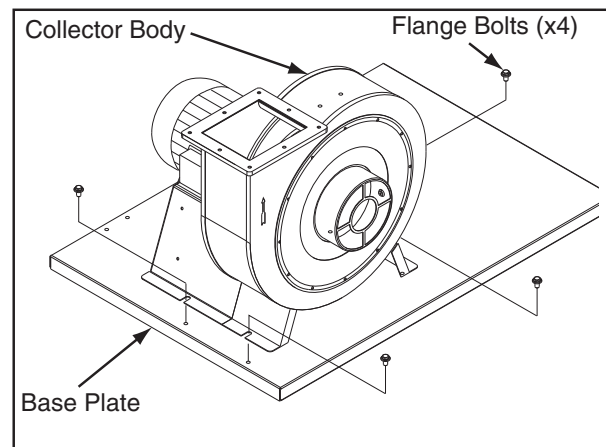


Figure 15. Motor and impeller assembly installed onto the base.



- Place a rubber gasket around the impeller outlet rim, as shown in **Figure 16**.



Figure 16. Positioning impeller outlet gasket.

- Secure the outlet connector to the impeller outlet with (8) $\frac{5}{16}$ -18 x $\frac{1}{2}$ " flange bolts, as shown in **Figure 17**.

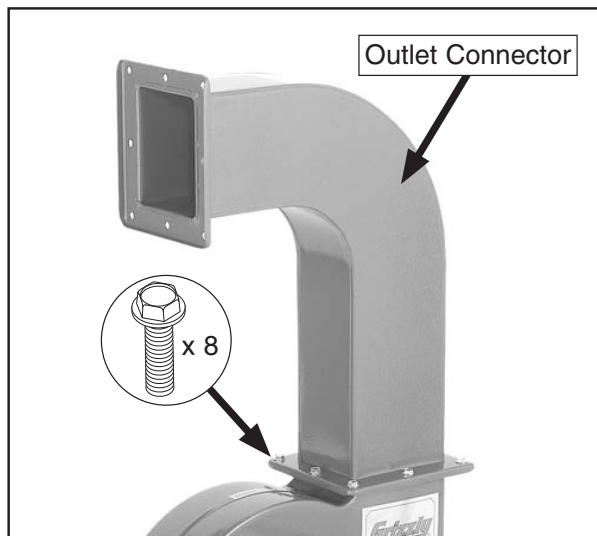


Figure 17. Outlet connector installed.

- Align the canister support with the mounting holes on the base, as shown in **Figure 18**, then secure it in place with (2) $\frac{5}{16}$ -18 x $\frac{1}{2}$ " flange bolts.

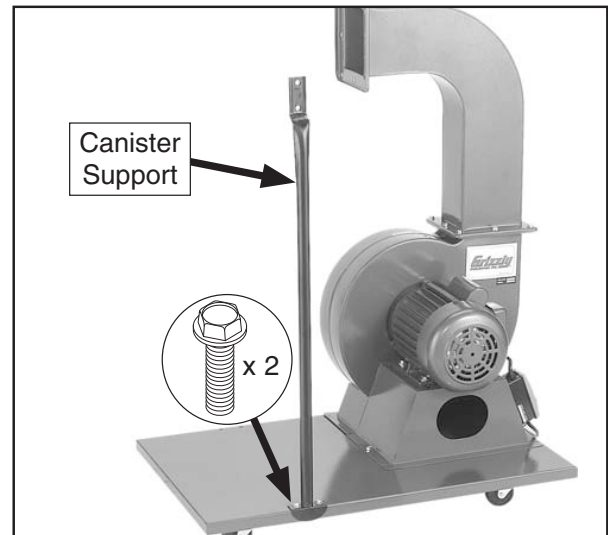


Figure 18. Canister support installed.

- With assistance, position the remaining rubber gasket on the rim of the outlet connector, mate the rim of the collector with the connector, and secure it in place with (8) $\frac{5}{16}$ -18 x $\frac{1}{2}$ " flange bolts, as shown in **Figure 19**.

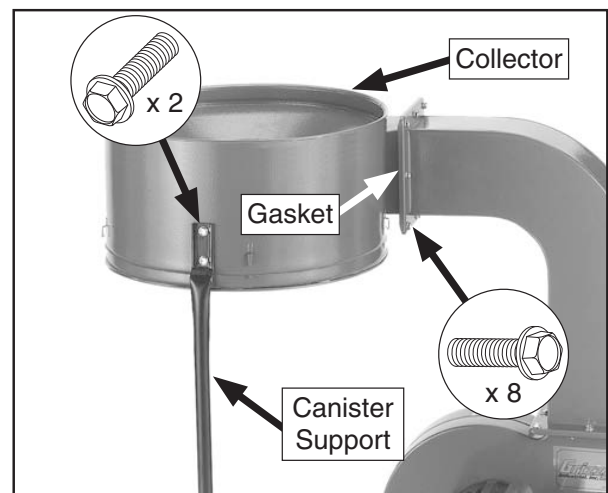


Figure 19. Collector installed.

- Attach the top of the canister support to the collector with the remaining two $\frac{5}{16}$ -18 x $\frac{1}{2}$ " flange bolts, as shown in **Figure 19**.



9. Apply the adhesive-backed 5 x 42mm wide foam strip to the outside top of the collector, as shown in **Figure 20**, and trim the excess so that the ends of the strip come together evenly, as shown in **Figure 21**.



Figure 20. Applying the wide foam strip to the collector.



Figure 21. Wide foam strip ends matched evenly.

10. Align the hex bolt of the canister cleaning handle with the flat of the canister shaft, as shown in **Figure 22**, place the handle on the shaft, then tighten the hex bolt.

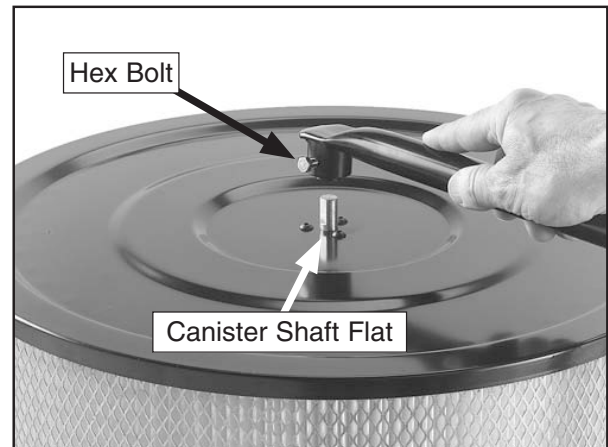


Figure 22. Installing the canister cleaning handle.

11. Place the belt clamp around the base of the canister, place the canister over the collector, then tighten the belt clamp so it evenly compresses against the wide foam strip, as shown in **Figure 23**.

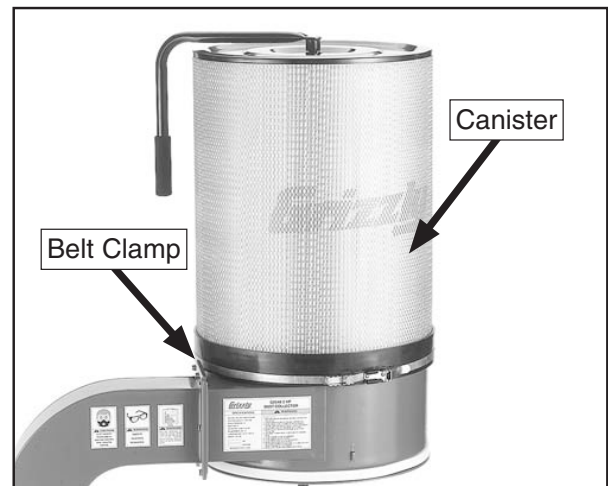


Figure 23. Canister installed.



G1028Z2/G1029Z2 Assembly

12. Apply the 6 x 20mm narrow foam strip to the bottom of the collector, then trim the excess and evenly match the ends (see **Figure 23**).
13. Attach a collection bag to the hooks around the bottom of the collector, then tighten the collection bag clamp around the foam strip to hold the bag in place, as shown in **Figure 24**.



Figure 24. Collection bag installed.

14. Insert the inlet connector over the impeller intake hole, then secure it in place with the #10 x 3/8" tap screw, as shown in **Figure 25**.

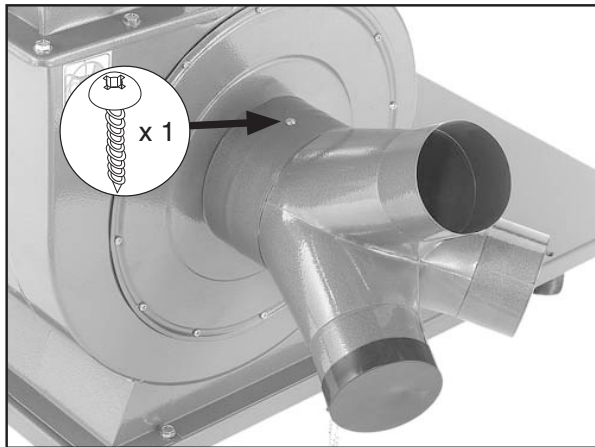


Figure 25. Inlet connector installed.

To assemble your machine:

1. Position the base plate upside down and mount the casters to the base plate using (16) 5/16"-18 x 1/2" flange bolts, as shown in **Figure 26**.

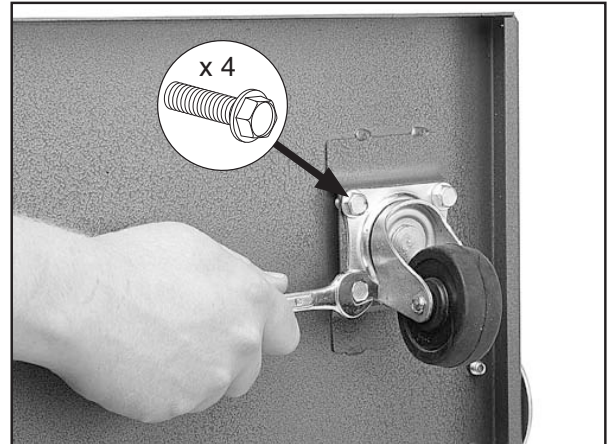


Figure 26. Mounting casters to base.

2. Turn the base over, then set the collector body on top of the base plate so the intake portion is near the edge of the base plate and the bolt holes are aligned, as shown in **Figure 27**. Secure the collector body to the base plate with (4) 5/16"-18 x 1/2" flange bolts.

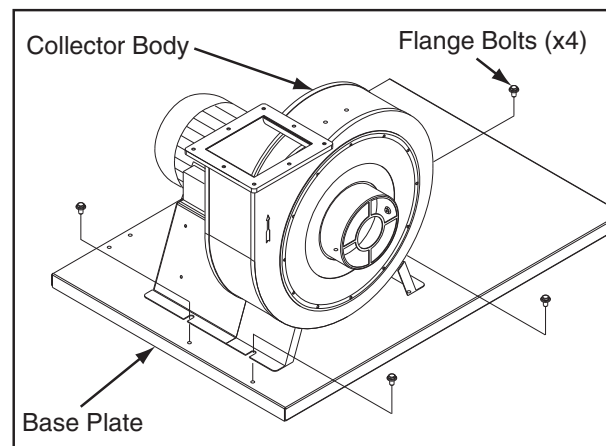


Figure 27. Mounting collector to base.



3. Insert the rubber gasket between the collector and lower outlet flange, and secure the flange with (8) $\frac{5}{16}$ "-18 x $\frac{1}{2}$ " flange bolts, as shown in **Figure 28**.

Note: When connecting parts that have a gasket applied to the mounting surface, always tighten the fasteners in a crisscross manner to ensure the gasket does not become crimped and the seal compromised.

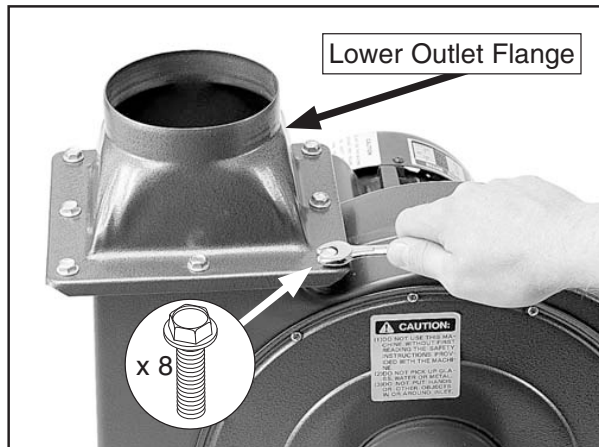


Figure 28. Mounting outlet to collector body.

4. Attach the lower collector support brackets to the top edge of the base plate using (4) $\frac{5}{16}$ "-18 x $\frac{1}{2}$ " flange bolts, as shown in **Figure 29**.

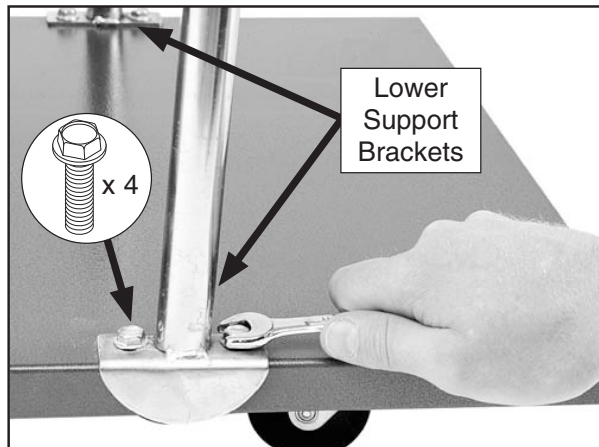


Figure 29. Mounting support bracket to base.

5. Secure the front lower support bracket to the collector with (2) $\frac{5}{16}$ "-18 x $\frac{1}{2}$ " flange bolts.
6. Place the upper support bracket over the rear lower support bracket, and secure them to the collector with (2) $\frac{5}{16}$ "-18 x $\frac{1}{2}$ " flange bolts, as shown in **Figure 30**.

Note: The collector attaches to each support bracket. The inside of the collector is funnel shaped and directs the air around in a cyclone motion. Make sure that the inside taper (funnel) is faced downward and the collector inlet faces toward the collector body.

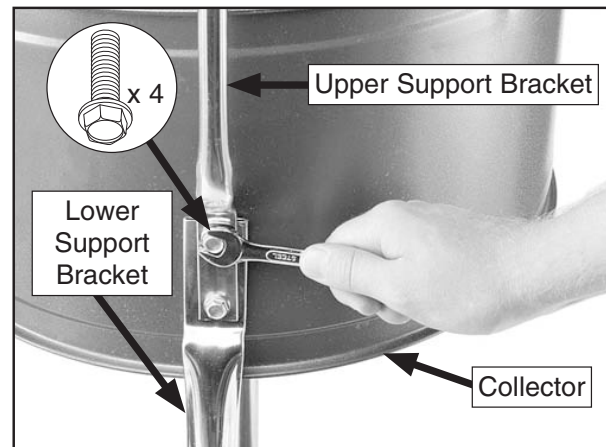


Figure 30. Mounting collector to brackets.

7. Slip a loosened hose clamp over each end of the flex-hose, and attach the ends over the collector and collector body outlet. Tighten each hose clamp until snug, as shown in **Figure 31**.

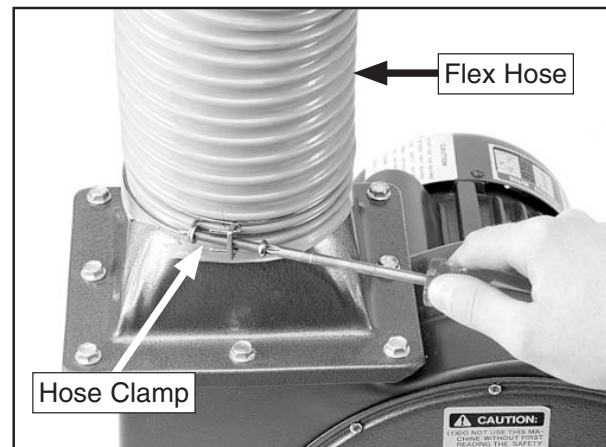


Figure 31. Attaching flex hose onto collector body outlet.



8. Apply the foam strips to the collector body as described in **G0548Z Assembly, Step 9**, on **Page 21**.
9. Hook the top loop of the upper filter bag (fabric) over the support bracket, as shown in **Figure 32**.



Figure 32. Attaching upper filter bag.

10. Secure the upper bag to the collector with the clamp shown in **Figure 33**.

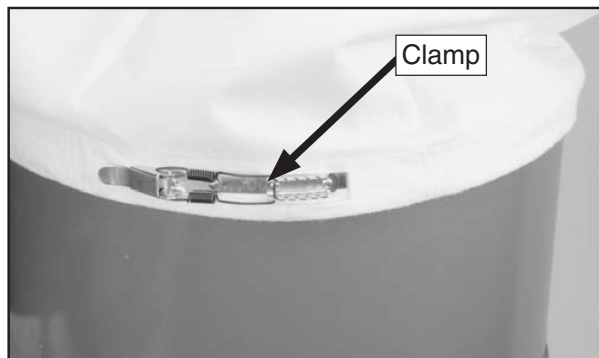


Figure 33. Upper collection bag secured.

11. Slip the bottom plastic collection bag over the bottom edge of the collector and snag it on the metal hooks, then tighten the clamp on the tightest notch possible (**Figure 34**).

Note: *DO NOT force the clamp, If it is too tight, choose the next notch over, then clamp it in place.*

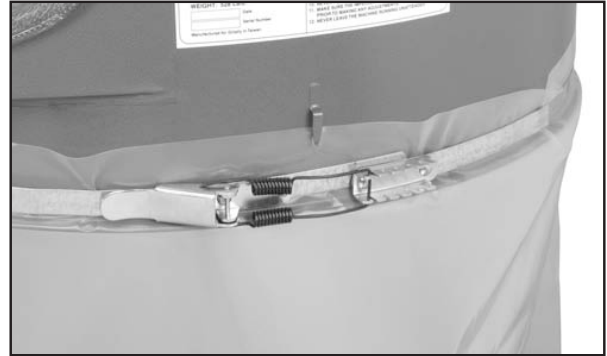


Figure 34. Installing the lower bag.

12. Remove the pre-installed screw from the inlet cover, and secure the adapter to the cover flange with the screw (**Figure 35**).

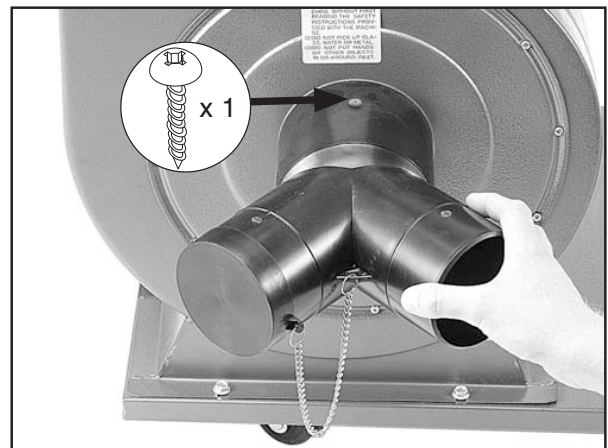
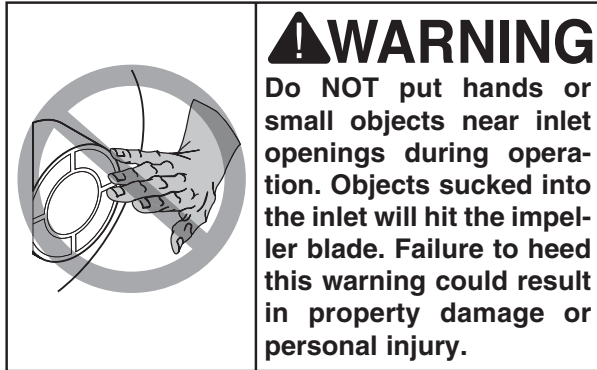


Figure 35. Installing "Y" inlet.



Test Run



Once the assembly is complete, test run your machine to make sure it runs properly.

If, during the test run, you cannot easily locate the source of an unusual noise or vibration, stop using the machine immediately, then review the **Troubleshooting** on **Page 40**.

If you still cannot remedy a problem, contact our Tech Support at (570) 546-9663 for assistance.

To test run the machine:

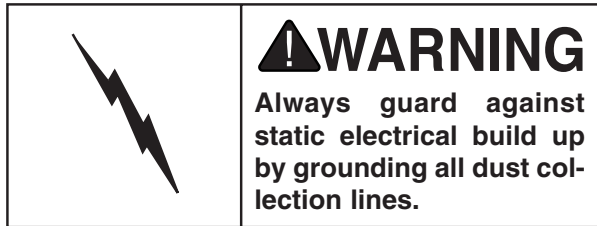
1. Make sure you have read the safety instructions at the beginning of the manual and that the machine is set up properly.
2. Make sure all tools and objects used during setup are cleared away from the machine.
3. Connect the machine to the power source.
4. Turn the machine **ON**.
5. Listen to and watch for abnormal noises or actions. The machine should run smoothly with little or no vibration or rubbing noises.

—Strange or unusual noises should be investigated and corrected before operating the machine further. Always disconnect the machine from power when investigating or correcting potential problems.
6. Turn the machine **OFF**.



SECTION 4: DESIGNING THE SYSTEM

General



The Model G0548Z/G1028Z2/G1029Z2 can be operated as either a stationary or a mobile unit. There are advantages and disadvantages to both set-ups. The advantage of the mobile system is eliminating the cost of many ducts and fittings. On the other hand, the stationary system is more versatile and convenient.

If using the Model G0548Z/G1028Z2/G1029Z2 as a central dust collector system, put the dust collector in an out of the way location such as a corner or separate room. The dust collector is capable of collecting dust from up to two machines running simultaneously. Grizzly offers a complete line of dust collection accessories for setting up a stationary system. Additionally, Grizzly offers a complete guide book entitled *Dust Collection Basics*.

Whatever system you choose, always make sure there are no open flames or pilot lights in the same room as the dust collector. There is a risk of explosion if dust is dispersed into the air.

Duct Material

You have many choices regarding main line and branch line duct material. For best results, use metal duct for the main line and branch lines, then use short lengths of flexible hose to connect each machine to the branch lines.

Plastic duct is also a popular material for home shops. However, be aware that there is a fire or explosion hazard if plastic duct material is used for dust collection without being grounded against static electrical charge build-up. This topic will be discussed later in this section. Another problem with using plastic is that it is less efficient per foot than metal.

Metal Duct

Advantages of metal duct is its conductivity and that it does not contribute to static electrical charge build-up. However, static charges are still produced when dust particles strike other dust particles as they move through the duct. Since metal duct is a conductor, it can be grounded quite easily to dissipate any static electrical charges.

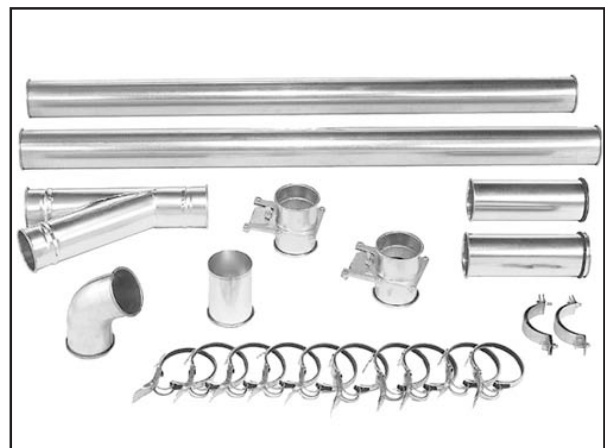


Figure 36. Examples of metal pipe and components.



There are a number of options when it comes to metal duct, but metal duct that is specially manufactured for dust collection is the best choice. When selecting your metal duct, choose high quality metal duct with smooth welded internal seams that will minimize airflow resistance. This type of duct usually connects to other ducts or elbows with a simple, self-sealing clamp, is very quick and easy to assemble, and can be readily dismantled and re-installed. This is especially important if you ever need to change things around in your shop or add more tools.

Avoid inferior metal duct that requires you to cut it to length and snap it together. This type of duct is time consuming to install because it requires you to seal all the seams with silicone and screw the components on the ends with sheet metal screws. Another disadvantage is the rough internal seams and crimped ends that unavoidably increase static pressure loss.

Flexible Duct

Flexible hose is generally used for short runs, small shops, and at rigid duct-to-tool connections. There are many different types of flex hose on the market today. These are manufactured from materials such as polyethylene, PVC, cloth hose dipped in rubber, and even metal, including steel and aluminum.

The superior choice for flexible ducting is metal flex hose that is designed to be flexible and as smooth as possible to reduce static pressure loss. See **Accessories** on **Page 36**.

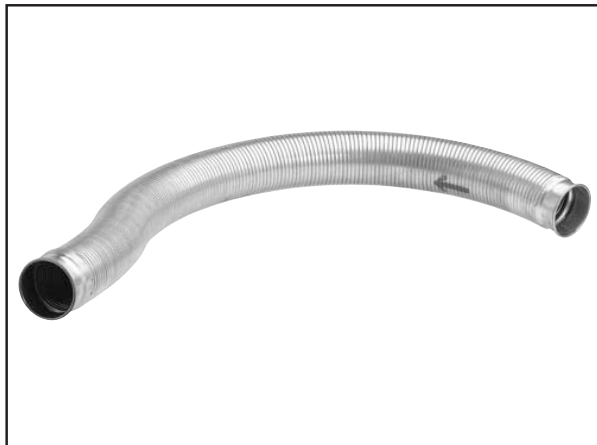


Figure 37. Example of flexible metal duct.

There are also many kinds of pure plastic flexible hose, such as non-perforated drainage type hose and dryer vent hose. Drainage type hose, while being economical, does not quite have the flexibility required for dust collection. The inside of the duct is also deeply corrugated and can increase the static pressure loss by as much as 50% over smooth wall duct. Dryer vent hose offers greater flexibility, but is non-resistant to abrasion and tends to collapse in a negative pressure system. We DO NOT recommend using dryer vent hose in your dust collection system.

If using flex-hose, choose one of the many types designed specifically for the movement of solid particles, i.e. dust, grains and plastics. However, the cost of specifically designed flexible duct can vary greatly. Grizzly offers polyethylene hose, which is well suited for the removal of particulate matter, especially sawdust, since it is durable and completely flexible. Polyethylene is also very economical and available in a wide variety of diameters and lengths for most applications.

Plastic Duct

The popularity of plastic duct is due to the fact that it is economical and readily available. It is also simple to assemble and easily sealed against air loss. The primary disadvantage of plastic duct for dust collection is the inherent danger of static electrical build-up.



Figure 38. Example of plastic duct and components.



System Design

Step 1. Decide Who Will Design

For most small-to-medium sized shops, you can design and build the dust collection system yourself without hiring engineers or consultants. We have included some basic information here to get you started on a basic design.

If you have a large shop or end up designing a complicated system, then we recommend additional research beyond this manual, or that you seek the help of an expert.

Step 2. Sketch Your Shop Layout

When designing a successful dust collection system, planning is the most important step. In this step, you must sketch a basic layout of your shop.

Before you get out your pencil and paper, we recommend you visit our FREE *Workshop Planner* available on our website at www.grizzly.com.

Our *Workshop Planner* will allow you to quickly and easily draw and print a basic shop layout. Don't worry, non-Grizzly brand machines can be substituted with Grizzly machines for layout purposes. **Note:** After you're finished, make sure to save your layout for later modification.

Your sketch only needs the basic details of the shop layout, similar to **Figure 39**, including all your current/planned machines and your planned placement of the dust collector.

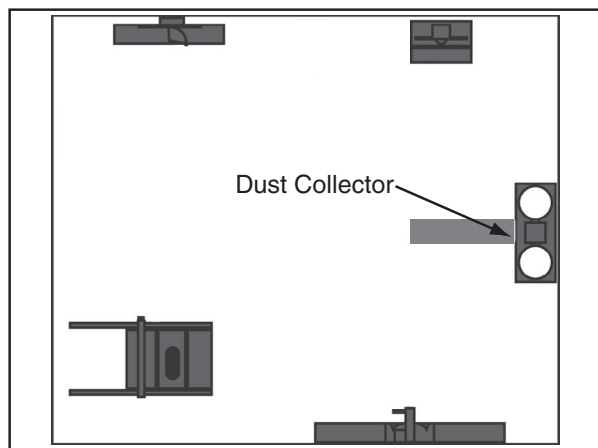


Figure 39. Basic sketch of shop layout.

Step 3. Sketch a Basic Duct Layout

For the next step, sketch how you will connect your machines to the dust collector. Consider these general guidelines for an efficient system:

1. Machines that produce the most saw dust should be placed nearest to the dust collector (i.e. planers and sanders).
2. Ideally, you should design the duct system to have the shortest possible main line and secondary branch ducts. See **Figures 40 & 41** for ideas of good duct layouts vs bad duct layouts.

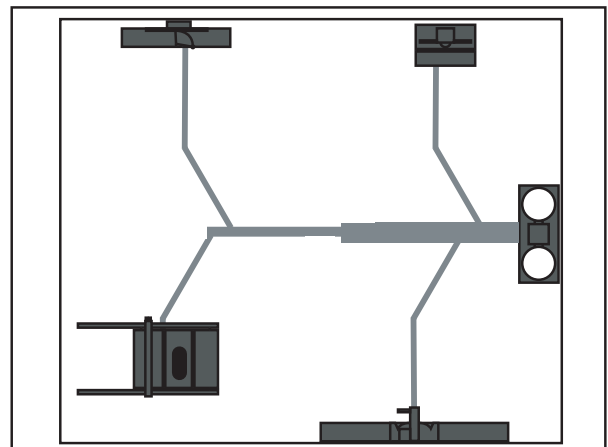


Figure 40. Good duct layout.

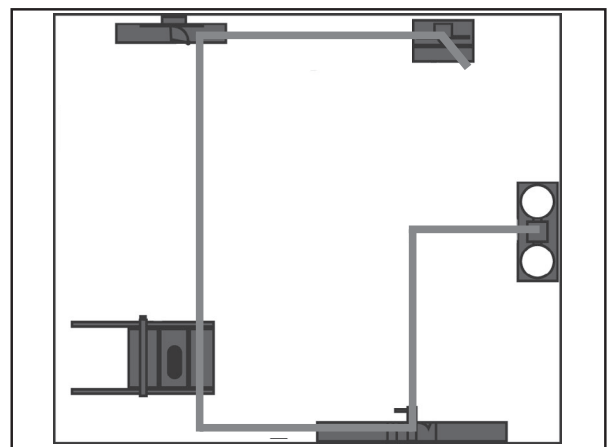


Figure 41. Poor duct layout.



3. Directional changes should be kept to a minimum. The more directional change fittings you use directly increases the overall resistance to airflow.
4. Gradual directional changes are more efficient than sudden directional changes (i.e. use the largest corner radius possible when changing hose or pipe direction).
5. Each individual branch line should have a blast gate immediately after the branch to control suction from one machine to another.
6. The simpler the system, the more efficient and less costly it will be.

Step 4. Determine Required CFM of Each Machine

Since each machine produces a different amount of sawdust, the requirements for the minimum amount of CFM to move that sawdust is unique to the machine (for example, a planer produces more sawdust than a table saw). Knowing this required CFM is important to gauging which size of duct to use.

Figure 42 gives you a close estimation of the airflow your machine requires. Keep in mind that machines that generate the most sawdust should be placed closest to the dust collector. If the machine has multiple dust ports, the total CFM required is the sum of all ports.

Machine Dust Port Size	Approximate Required CFM
2"	98
2.5"	150
3"	220
4"	395
5"	614
6"	884
7"	1203
8"	1570
9"	1990
10"	2456

Figure 42. Approximate required airflow for machines, based on dust port size.

If your machine doesn't have a built in dust port, use **Figure 43** to determine which size of dust port to install on your machine.

Machine	Average Dust Port Size
Table Saw.....	4"
Miter/Radial-Arm Saw.....	2"
Jointer (6" and smaller)	4"
Jointer (8"-12")	5"
Thickness Planer (13" and smaller).....	4"
Thickness Planer (14"-20")	6"
Shaper.....	4"
Router (mounted to table).....	2"
Bandsaw.....	4"
Lathe.....	4"
Disc Sander (12" and smaller).....	2"
Disc Sander (13-18").....	4"
Belt Sander (6" and smaller)	2"
Belt Sander (7"-9")	3"
Edge Sander (6" x 80" and smaller).....	4"
Edge Sander (6" x 80" and larger)	5"
Drum Sander (24" and smaller).....	2 x 4"
Drum Sander (24" and larger)	4 x 4"
Widebelt Sander (18" and smaller).....	5"
Widebelt Sander (24"-37" single head) ..	2 x 6"
Widebelt Sander (24"-51" double head) ..	5 x 4"

Figure 43. Dust port size and quantity per average machine.

Write the required CFM for each machine on your sketch, as shown in **Figure 44**.

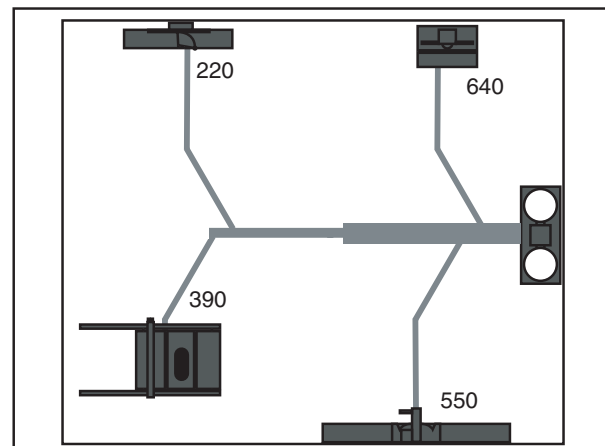


Figure 44. CFM requirements labeled for each machine.



Determining Main Line Duct Size

The general rule of thumb for a main line duct is that the velocity of the airflow must not fall below 3500 FPM.

For small/medium sized shops, using the inlet size of the dust collector as the main line duct size will usually keep the air velocity above 3500 FPM and, depending on your system, will allow you to keep multiple branches open at one time.

Mark your drawing as in **Figure 45**, but using the inlet size for your dust collector as the main line.

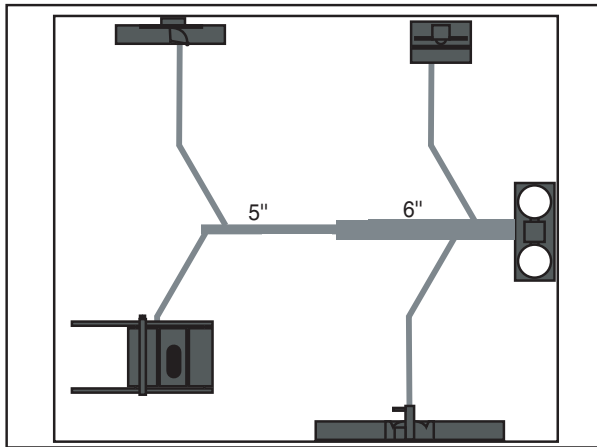


Figure 45. Main line size labeled on sketch.

Determining Branch Line Duct Size

The general rule of thumb for a branch line duct is that the velocity of the airflow must not fall below 4000 FPM.

For small/medium sized shops, using the dust port size from the machine as the branch line duct size will achieve the correct velocity in most applications. However, if the dust port on the machine is smaller than 4", make the branch line 4" and neck the line down right before the dust port.

Note: *Systems with powerful dust collectors work better if multiple blast gates are left open. This also allows you to run two machines at once. Experiment with different combinations of blast gates open/closed to find the best results for your system.*

Write your determined branch line sizes on your drawing, as shown in **Figure 46**.

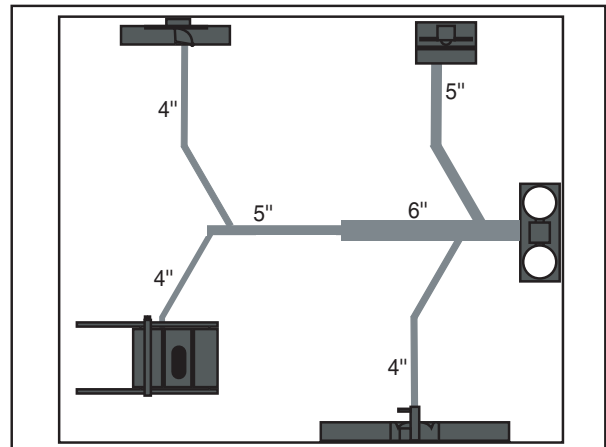


Figure 46. Branch line sizes labeled on sketch.

Here are some frequently asked questions when determining branch line sizes:

How do I figure which size of branch line to use if the machine has two dust ports?

Simply add the total CFM given for each size from **Figure 42** and refer to that CFM number to **Figure 47**. Then, split the branch line just before the dust ports with matching duct sizes.

What if two machines share the same branch line?

You have two options:

1. If both machines will be running at the same time, add the total CFM given for each size from **Figure 42** and match the branch line given in **Figure 47**.
2. If both the machines will never be run at the same time, reference the machine with biggest dust port to **Figure 47** and add blast gates after the Y-branch to open/close the line to each machine.

Total CFM	Branch Line Size
400	4"
500	4"
600	5"
700	5"
800	6"
900	6"
1000	6"

Figure 47. Branch line sizing chart by total CFM (for use when multiple machines share line).



Calculating Duct Resistance

Adding duct work, elbows, branches and any other components to a duct line increases airflow resistance (static pressure loss). This resistance can be minimized by using rigid (smooth) pipe and gradual curves, as opposed to flexible pipe and 90° elbows.

To help you think about this resistance, imagine riding a bicycle in a tunnel that is an exact replica of your duct work. If the inside of the tunnel is very bumpy (flexible pipe) and has a lot of sharp turns (90° elbows), it will take a lot more effort to travel from one end to the other.

The purpose of calculating the resistance is to determine if it is low enough from the machine to the dust collector to meet the given CFM requirement for the machine. Use the charts in **Figure 48** to calculate the resistance of duct work.

Duct Dia.	Approximate Static Pressure Loss Per Foot of Rigid Pipe		Approximate Static Pressure Loss Per Foot of Flex Pipe	
	Main Lines at 3500 FPM	Branch Lines at 4000 FPM	Main Lines at 3500 FPM	Branch Lines at 4000 FPM
2"	0.091	0.122	0.35	0.453
2.5"	0.08	0.107	0.306	0.397
3"	0.071	0.094	0.271	0.352
4"	0.057	0.075	0.215	0.28
5"	0.046	0.059	0.172	0.225
6"	0.037	0.047	0.136	0.18
7"	0.029	0.036	0.106	0.141
8"	0.023	0.027	0.08	0.108
9"	0.017	0.019	0.057	0.079

Fitting Dia.	90° Elbow	45° Elbow	45° Wye(Y)	90° Wye(Y)
3"	0.47	0.235	0.282	0.188
4"	0.45	0.225	0.375	0.225
5"	0.531	0.266	0.354	0.236
6"	0.564	0.282	0.329	0.235
7"	0.468	0.234	0.324	0.216
8"	0.405	0.203	0.297	0.189

Figure 48. Static pressure loss charts.

In most small/medium shops it is only necessary to calculate the line with the longest duct length or the most fittings (operating under the assumption that if the line with the highest resistance works, the others will be fine).

To calculate the static pressure of any given line in the system, follow these steps:

1. Make a list of each size duct in the line, including the length, and multiply those numbers by the static pressure value given in **Figure 48**.
2. List each type of elbow or branch and multiply the quantity (if more than one) by the static pressure loss given in **Figure 48**.
3. Add the additional factors from **Figure 49** to your list.

Additional Factors	Static Pressure
Seasoned (well used) Dust Collection Filter	1"
Entry Loss at Large Machine Hood	2"

Figure 49. Additional factors affecting static pressure.

4. Total your list as shown in the example in **Figure 50** to come up with your overall static pressure loss number for that line.

Note: Always account for a seasoned filter, so you don't end up with a system that only works right when the filter is clean.

Main Line	
6" Rigid Pipe (0.037) at 20'	0.740
Branch Line	
4" Rigid Pipe (0.075) at 10'	0.750
4" Flex Pipe (0.28) at 5'	1.400
Elbows/Branches	
6" 45° Y-Branch	0.329
4" 45° Elbow	0.225
Additional Factors	
Seasoned Filter	1.000
Total Static Pressure Loss	4.444

Figure 50. Totaling static pressure numbers.



Note: When calculating static pressure loss to determine if multiple lines can be left open at the same time, only include the main line numbers once.

5. Compare the total static pressure loss for that line to the maximum static pressure loss found on the data sheet for your machine (located toward the front of this manual).

—If the CFM for your static pressure loss is above the requirement of the machine, then the line will most likely be successful. Congratulations! You've just designed your own dust system. Refer to **Page 36** to start buying the components necessary to make your system a reality.

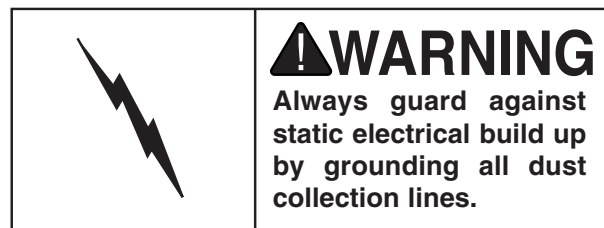
—If the CFM for your static pressure loss is below the requirement of the machine, then that line will not effectively collect the dust. You must then modify some of the factors in that line to reduce the static pressure loss. Some of the ways to do this include 1) installing larger duct, 2) reducing amount of flexible duct used, 3) increasing machine dust port size, 4) moving machine closer to dust collector to eliminate duct length, and 5) reducing 90° elbows or replacing them with 45° elbows.

System Grounding

Since plastic hose is abundant, relatively inexpensive, easily assembled and air tight, it is a very popular material for conveying dust from woodworking machines to the dust collector. We recommend using flexible hose (flex-hose) to connect the woodworking machine to the dust collector. However, plastic flex-hose and plastic duct are an insulator, and dust particles moving against the walls of the plastic duct create a static electrical build up. This charge will build until it discharges to a ground. If a grounding medium is not available to prevent static electrical build up, the electrical charge will arc to the nearest grounded source. This electrical discharge may cause an explosion and subsequent fire inside the system.

To protect against static electrical build up inside a non-conducting duct, a bare copper wire should be placed inside the duct along its length and grounded to the dust collector. You must also confirm that the dust collector is continuously grounded through the electrical circuit to the electric service panel.

If you connect the dust collector to more than one machine by way of a non-conducting branching duct system and blast gates, the system must still be grounded as mentioned above. We recommend inserting a continuous bare copper ground wire inside the entire duct system and attaching the wire to each grounded woodworking machine and dust collector.



Be sure that you extend the bare copper wire down all branches of the system. Do not forget to connect the wires to each other with wire nuts when two branches meet at a “Y” or “T” connection.

Ensure that the entire system is grounded. If using plastic blast gates to direct air flow, the grounding wire must be jumped (**Figure 51**) around the blast gate without interruption to the grounding system.

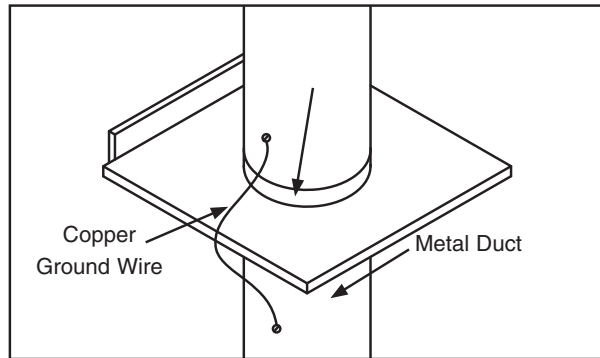


Figure 51. Ground jumper wire when using plastic blast gates and metal duct.

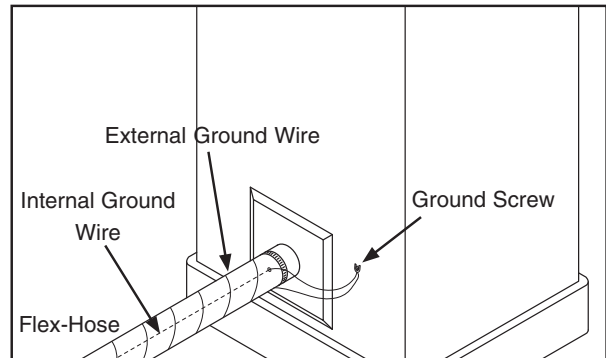


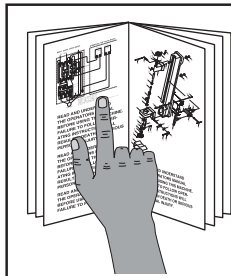
Figure 52. Flex-hose grounded to machine.

We also recommend wrapping the outside of all plastic ducts with bare copper wire to ground the outside of the system against static electrical build up. Wire connections at Y's and T's should be made with wire nuts.

Attach the bare ground wire to each stationary woodworking machine and attach to the dust collector frame with a ground screw as shown in **Figure 52**. Ensure that each machine is continuously grounded to the grounding terminal in your electric service panel.



SECTION 5: OPERATIONS

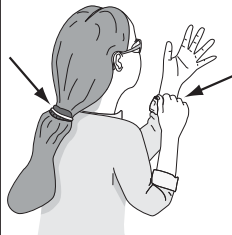
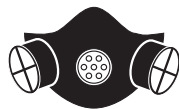


⚠️ WARNING

To reduce the risk of serious injury when using this machine, read and understand this entire manual before beginning any operations.

⚠️ WARNING

Damage to your eyes and lungs could result from using this machine without proper protective gear. Always wear safety glasses and a respirator when operating this machine.

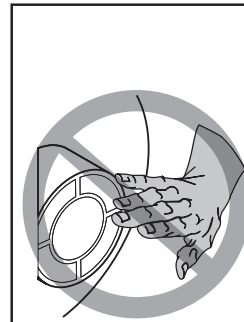


⚠️ WARNING

Loose hair, clothing, or jewelry could get caught in machinery and cause serious personal injury. Keep these items away from moving parts at all times to reduce this risk.

NOTICE

If you have never used this type of machine or equipment before, WE STRONGLY RECOMMEND that you read books, trade magazines, or get formal training before beginning any projects. Regardless of the content in this section, Grizzly Industrial will not be held liable for accidents caused by lack of training.



⚠️ WARNING

Do NOT put hands or small objects near inlet openings during operation. Objects sucked into the inlet will meet with the impeller blade. Failure to heed this warning could result in property damage or personal injury.

General

Operating your Model G0548Z/G1028Z2/G1029Z2 is simple and straightforward. Blast gates can be used at the start of each branch line to control the air flow from the woodworking machine to the dust collector. If a machine is not being used, keep the blast gate closed to maintain higher levels of efficiency throughout the system.



SECTION 6: ACCESSORIES

⚠ WARNING

Some aftermarket accessories can be installed on this machine that could cause it to function improperly, increasing the risk of serious personal injury. To minimize this risk, only install accessories recommended for this machine by Grizzly.

NOTICE

Refer to the newest copy of the Grizzly Catalog for other accessories available for this machine.

Call 1-800-523-4777 To Order

H5293—4" Metal Duct Starter Kit

H5295—5" Metal Duct Starter Kit

H5297—6" Metal Duct Starter Kit

Save over 20% with this great starter kit. Includes: (2) machine adapters, (10) pipe clamps, (3) 5' straight pipes, (1) branch, (3) pipe hangers, (1) end cap, (3) adjustable nipples, (1) 90° elbow, and (1) 60° elbow.

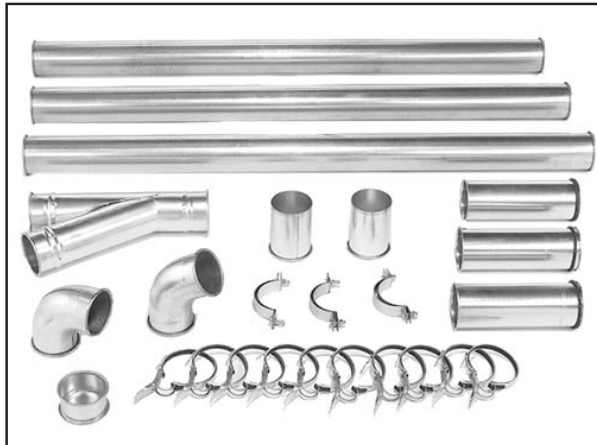


Figure 53. Metal Duct Starter Kit.

H5294—4" Metal Duct Machine Addition Kit

H5296—5" Metal Duct Machine Addition Kit

H5298—6" Metal Duct Machine Addition Kit

Save over 20% with this great machine addition kit. Includes: (2) blast gates, (1) machine adapter, (10) pipe clamps, (2) pipe hangers, (2) 5' straight pipes, (2) adjustable nipples, (1) branch, and (1) 60° elbow.

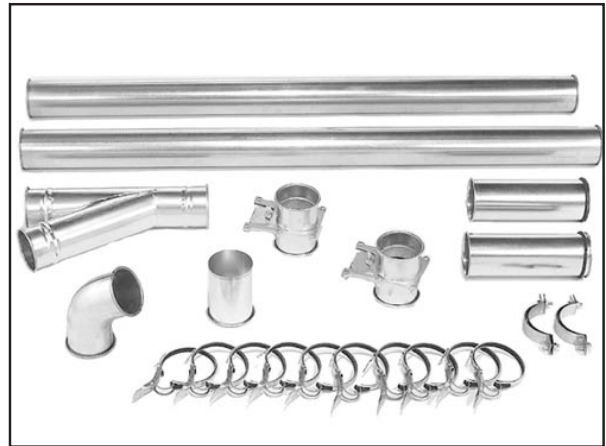


Figure 54. Metal Duct Machine Addition Kit.

G6163—4" Clamp

G7343—5" Clamp

G7361—6" Clamp

H5228—7" Clamp

H5238—8" Clamp

H5253—9" Clamp

These clamps feature lever latches and foam seals, and secure around the rolled ends of fittings and pipe.



Figure 55. Dust collection pipe clamps.



- G6162—4" x 5' Straight Metal Pipe**
- G7346—5" x 5' Straight Metal Pipe**
- G7364—6" x 5' Straight Metal Pipe**
- H5227—7" x 5' Straight Metal Pipe**
- H5237—8" x 5' Straight Metal Pipe**

These laser welded straight pipes ensure a super smooth internal seam. Ends easily clamp together for a sealed fit without screws or silicone.



Figure 56. Straight Metal Pipe.

- H7215—4" x 5' Rigid Metal Flex Hose**
- H7216—5" x 5' Rigid Metal Flex Hose**
- H7217—6" x 5' Rigid Metal Flex Hose**
- H7218—7" x 5' Rigid Metal Flex Hose**
- H7219—8" x 5' Rigid Metal Flex Hose**

This flex hose provides just enough flexibility to make difficult connections while still keeping the inside wall as smooth as possible to minimize static pressure loss.

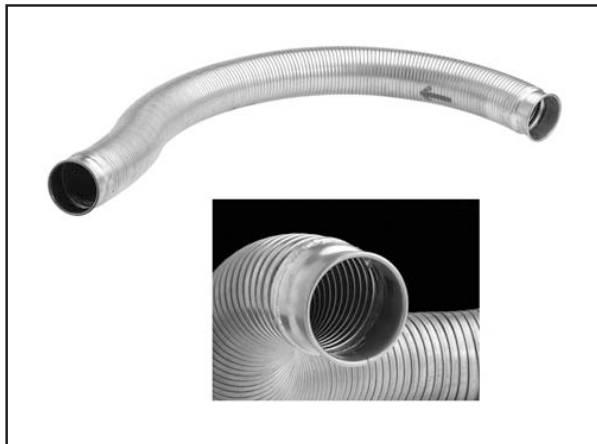


Figure 57. Rigid Metal Flex Hose.

Call 1-800-523-4777 To Order

Model G0548Z/G1028Z2/G1029Z2 (Mfg. 3/09+)



Metal Branches

We carry many different branches, all designed to minimize airflow resistance.



Figure 58. Metal Branches.

Reducers & Adapters

We carry a multitude of reducers and elbows to cover most applications from 4" through 9".



Figure 59. Metal Reducers & Adapters.

Metal Elbows

These industrial metal elbows are available from 4"–8" with 90°, 60°, 45°, or 30° curves. Call (800) 523-4777 or visit www.grizzly.com for more information and pricing.

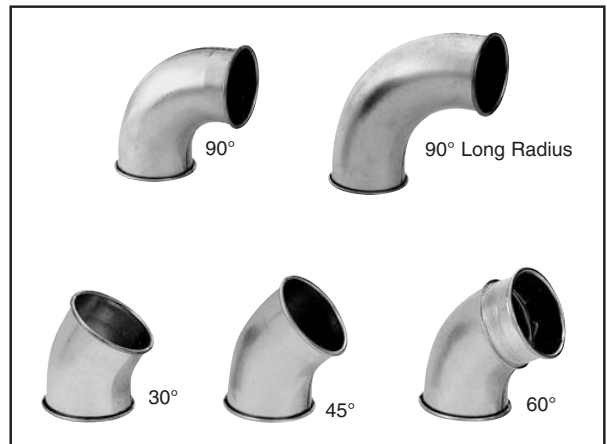


Figure 60. Metal elbow examples.

SECTION 7: MAINTENANCE



Schedule

For optimum performance from your machine, follow this maintenance schedule and refer to any specific instructions given in this section.

Daily Check:

- Loose mounting bolts.
- Worn switch.
- Worn or damaged wires.
- Clean canister filter (G0548Z only).
- Check collection bag.
- Any other unsafe condition.

Lubrication

Since all bearings are shielded and permanently lubricated, simply leave them alone until they need to be replaced. Do not lubricate them.

Bag Cleaning

Always empty the collection bags on a regular basis. Emptying the collection bags allows the machine to operate at a much higher level of efficiency.

Always wear the appropriate respirator or dust mask and safety glasses when emptying the collection bags. Small dust particles can escape the bags during emptying, causing them to become airborne and easily inhaled. This microscopic airborne dust is extremely unhealthy to breathe and can cause serious health problems.

While the Model G0548Z/G1028Z2/G1029Z2 excels at collecting the majority of wood dust produced by your machines, it is not an air filter; therefore, **we strongly recommend** the supplemental aid of a shop air filter such as the Grizzly G0572 or G9956. Air filters are designed to collect the smaller dust particles that dust collector bags cannot trap.



Emptying/Replacing Bags

To clean the canister filter on the Model G0548Z Move the canister cleaning handle back-and-forth to free the trapped dust particles from the filter pleats (see **Figure 61**). The particles will fall into the collection bag.



Figure 61. Canister cleaning handle directions.

NOTICE

The use of compressed air or liquids to clean the canister filter will damage the filtration pleats of the filter. Use **ONLY** the cleaning handle or, if necessary, a soft brush to clean the inside of the canister filter.

The Model T20543 replacement collection bag is available through Grizzly.

To replace the collection bag:

1. DISCONNECT MACHINE FROM POWER!
2. Make sure you are wearing safety glasses and a respirator.
3. Release the belt clamp securing the collection bag, then unhook the bag from the collector.
4. Securely close the top of the bag and safely dispose of it according to local and federal standards.
5. Install a new collection bag.

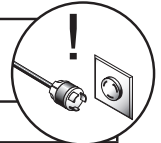


SECTION 8: SERVICE

Review the troubleshooting and procedures in this section to fix or adjust your machine if a problem develops. If you need replacement parts or you are unsure of your repair skills, then feel free to call our Technical Support at (570) 546-9663.

Troubleshooting

Motor & Electrical

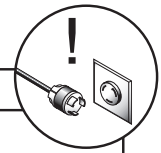


Symptom	Possible Cause	Possible Solution
Machine does not start or a breaker trips.	<ol style="list-style-type: none"> 1. Wall fuse/circuit breaker is blown/tripped. 2. Power supply switched OFF or is at fault. 3. Wiring is open/has high resistance. 4. Motor ON button or ON/OFF switch is at fault. 5. Motor is at fault. 	<ol style="list-style-type: none"> 1. Ensure circuit size is suitable for this machine; replace weak breaker. 2. Ensure power supply is switched on; ensure power supply has the correct voltage. 3. Check for broken wires or disconnected/corroded connections, and repair/replace as necessary. 4. Replace faulty ON button or ON/OFF switch. 5. Test/repair/replace.
Machine has vibration or noisy operation.	<ol style="list-style-type: none"> 1. Motor or component is loose. 2. Motor mount loose/broken. 3. Machine is incorrectly mounted or sits unevenly. 4. Motor fan is rubbing on fan cover. 5. Motor bearings are at fault. 	<ol style="list-style-type: none"> 1. Inspect/replace stripped or damaged bolts/nuts, and re-tighten with thread locking fluid. 2. Tighten/replace. 3. Tighten/replace anchor studs in floor if mounted; chock machine casters if mobile. 4. Replace dented fan cover; replace loose/damaged fan. 5. Test by rotating shaft; rotational grinding/loose shaft requires bearing replacement.

Continued on next page →



Dust Collector Operation



Symptom	Possible Cause	Possible Solution
Loud, repetitious noise, or excessive vibration coming from dust collector.	<ol style="list-style-type: none"> 1. Dust collector is not on a flat surface and wobbles. 2. Impeller is damaged and unbalanced. 3. The motor mounting or housing connections are loose. 4. Impeller is loose on the motor shaft. 5. Motor fan cover is dented, causing the motor fan to hit the cover while spinning. 	<ol style="list-style-type: none"> 1. Stabilize the dust collector. 2. Disconnect dust collector from power, and inspect the impeller for dents, bends, loose fins. Replace impeller if any damage is found. 3. Make sure all fasteners on the dust collector are tight. 4. Replace the motor and impeller as a set if the motor shaft and the impeller hub are damaged. 5. Replace motor fan cover.
Dust collector does not adequately collect dust or chips; poor performance.	<ol style="list-style-type: none"> 1. Dust collection bags are full. 2. Canister is dirty (G0548Z). 3. There is a restriction in the duct line. 4. The dust collector is too far away from the point of suction, or there are too many sharp bends in the ducting. 5. The lumber is wet and dust is not flowing through the ducting smoothly. 6. There is a leak, or a series of small leaks, in the ducting, or too many open ports. 7. There are not enough open branch lines at one time, thereby causing a velocity drop in the main line. 8. The ducting and ports are incorrectly sized. 9. The machine dust collection design is inadequate. 10. The dust collector is too small for the dust collection system. 	<ol style="list-style-type: none"> 1. Empty collection bags. 2. Clean filter (G0548Z). 3. Remove dust line from dust collector inlet and unblock the restriction in the duct line. A plumbing snake may be necessary. 4. Relocate the dust collector closer to the point of suction, and rework ducting without sharp bends. Refer to System Design, beginning on Page 29. 5. Process lumber with less than 20% moisture content. 6. Rework the ducting to eliminate all leaks. Close dust ports for lines not being used. 7. Open 1 or 2 more blast gates to different branch lines to allow the velocity in the main line to increase. 8. Reinstall correctly sized ducts and fittings. Refer to System Design beginning on Page 29 for more solutions. 9. Use a dust collection nozzle on a stand. 10. Install a larger dust collector to power your dust collection system.
Sawdust being blown into the air from the dust collector.	<ol style="list-style-type: none"> 1. Duct clamps or dust collection bags are not properly clamped and secured. 2. Bag clamps are loose or damaged. 	<ol style="list-style-type: none"> 1. Re-secure ducts and dust collection bag, making sure duct and bag clamps are tight and completely over the ducts and bags. 2. Retighten bag clamps.



SECTION 9: WIRING

These pages are current at the time of printing. However, in the spirit of improvement, we may make changes to the electrical systems of future machines. Compare the manufacture date of your machine to the one stated in this manual, and study this section carefully.

If there are differences between your machine and what is shown in this section, call Technical Support at (570) 546-9663 for assistance BEFORE making any changes to the wiring on your machine. An updated wiring diagram may be available. **Note:** Please gather the serial number and manufacture date of your machine before calling. This information can be found on the main machine label.

WARNING

Wiring Safety Instructions

SHOCK HAZARD. Working on wiring that is connected to a power source is extremely dangerous. Touching electrified parts will result in personal injury including but not limited to severe burns, electrocution, or death. Disconnect the power from the machine before servicing electrical components!

MODIFICATIONS. Modifying the wiring beyond what is shown in the diagram may lead to unpredictable results, including serious injury or fire. This includes the installation of unapproved after-market parts.

WIRE CONNECTIONS. All connections must be tight to prevent wires from loosening during machine operation. Double-check all wires disconnected or connected during any wiring task to ensure tight connections.

CIRCUIT REQUIREMENTS. You MUST follow the requirements at the beginning of this manual when connecting your machine to a power source.

WIRE/COMPONENT DAMAGE. Damaged wires or components increase the risk of serious personal injury, fire, or machine damage. If you notice that any wires or components are damaged while performing a wiring task, replace those wires or components.

MOTOR WIRING. The motor wiring shown in these diagrams is current at the time of printing but may not match your machine. If you find this to be the case, use the wiring diagram inside the motor junction box.













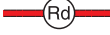


CAPACITORS/INVERTERS. Some capacitors and power inverters store an electrical charge for up to 10 minutes after being disconnected from the power source. To reduce the risk of being shocked, wait at least this long before working on capacitors.

EXPERIENCING DIFFICULTIES. If you are experiencing difficulties understanding the information included in this section, contact our Technical Support at (570) 546-9663.

NOTICE

The photos and diagrams included in this section are best viewed in color. You can view these pages in color at www.grizzly.com.

COLOR KEY

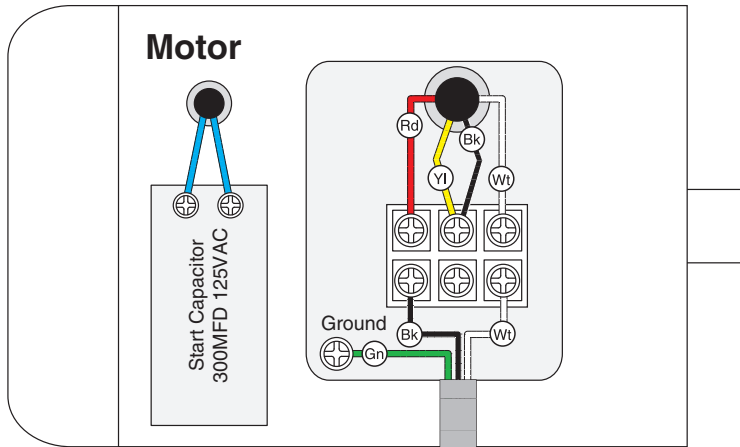
BLACK 	BLUE 	YELLOW 	LIGHT BLUE 
WHITE 	BROWN 	YELLOW GREEN 	BLUE WHITE 
GREEN 	GRAY 	PURPLE 	TURQUOISE 
RED 	ORANGE 	PINK 	



G0548Z Wiring Diagram



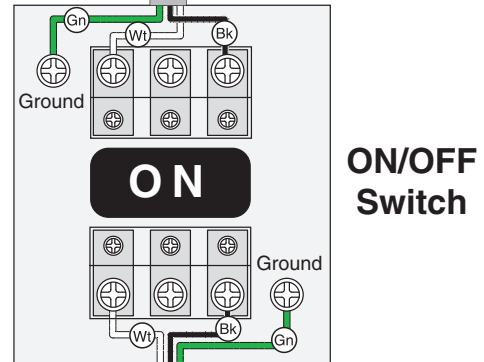
Figure 62. Motor wiring.



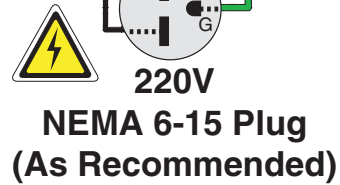
NOTICE
 The motor wiring shown here is current at the time of printing, but it may not match your machine. Always use the wiring diagram inside the motor junction box.



Figure 63. Switch wiring.



View this page in color at www.grizzly.com.

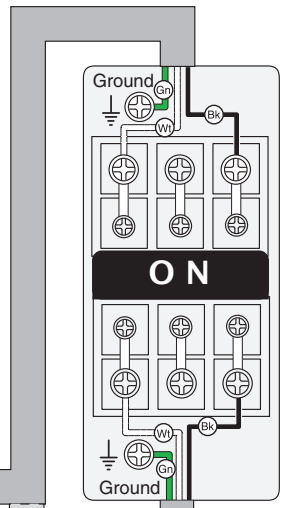
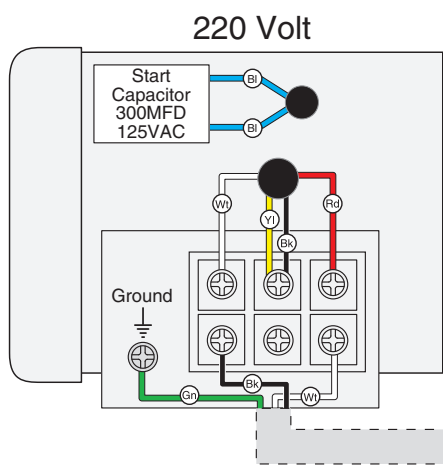
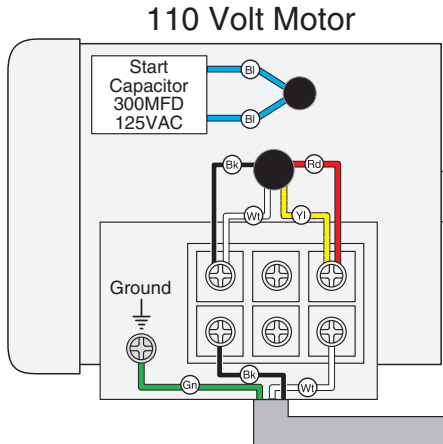


G1028Z2 Wiring Diagram

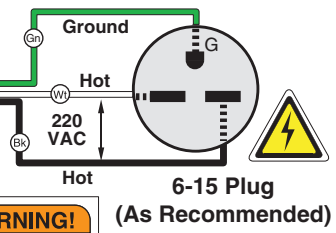
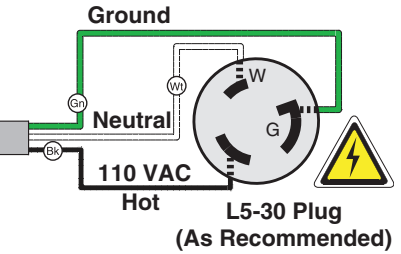


View this page in color at www.grizzly.com.

NOTICE
The motor wiring shown here is current at the time of printing, but it may not match your machine. Always use the wiring diagram inside the motor junction box.



Switch.



WARNING!
SHOCK HAZARD!
Disconnect power before working on wiring.



Junction Box @ 110V.



Junction Box @ 220V.



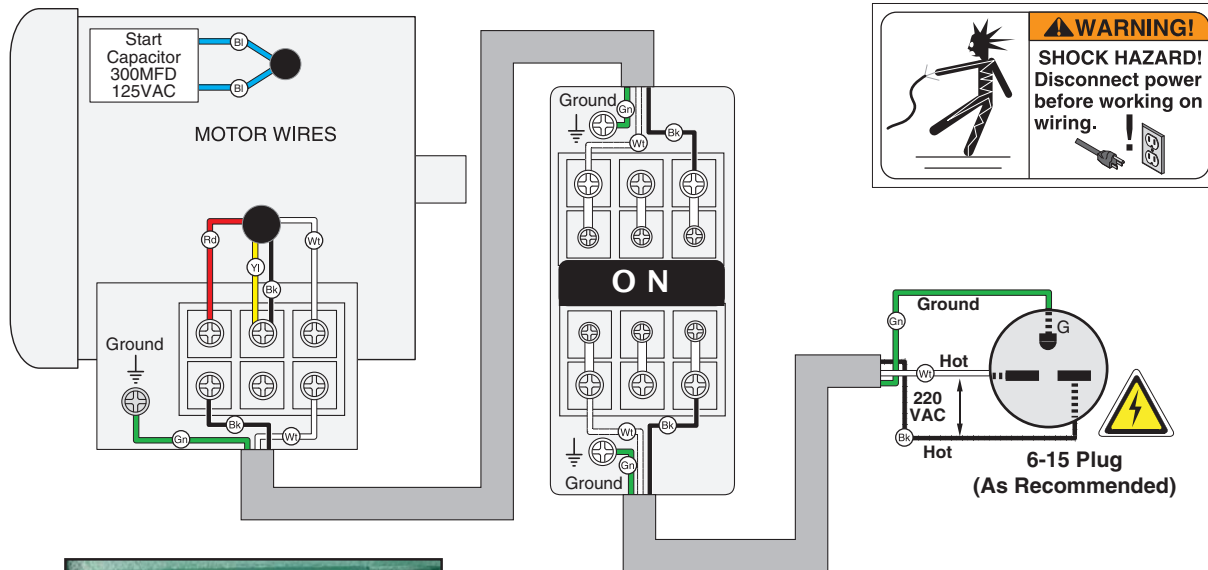
G1029Z2 Wiring Diagram



Start Capacitor.



220 Volt



Junction Box.



Switch.

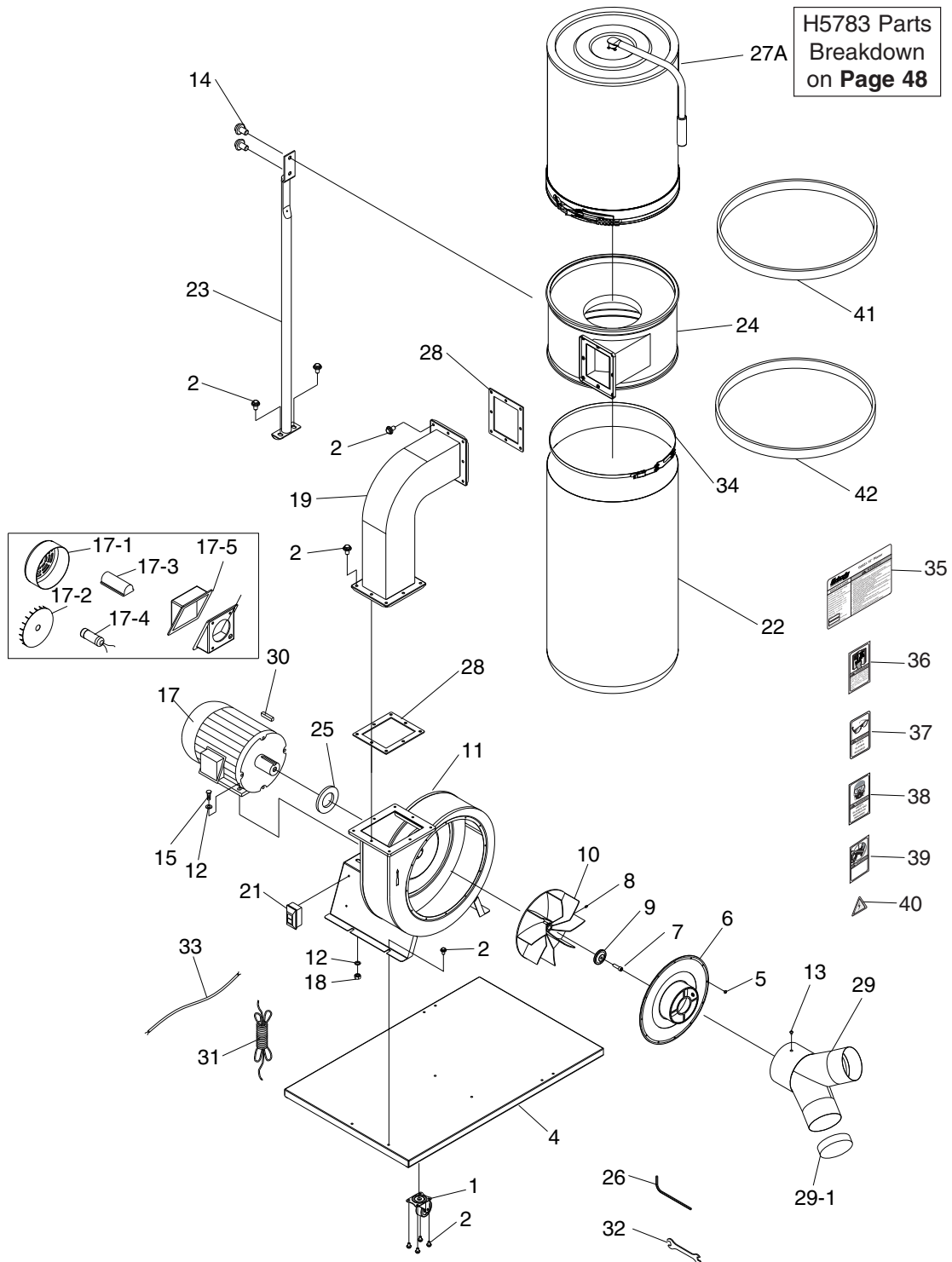
NOTICE
The motor wiring shown here is current at the time of printing, but it may not match your machine. Always use the wiring diagram inside the motor junction box.

View this page in color at www.grizzly.com.



SECTION 10: PARTS

G0548Z Main Breakdown



G0548Z Main Parts List

REF	PART #	DESCRIPTION
1	P1028Z2001	CASTERS
2	PFB01	FLANGE BOLT 5/16-18 X 1/2
4	P1028Z2004	BASE PLATE
5	PS06	PHLP HD SCR 10-24 X 3/8
6	P1028Z2006	6" INLET COVER V2.10.01
7	PCAP121M	CAP SCREW M6-1 X 20 (LH)
8	PSS15	SET SCREW 3/8-16 X 3/8
9	P0548Z009	SPECIAL WASHER 7 X 40 X 4
10	P1029Z2010	TURBO FAN CURVED FIN
11	P1028Z2011	COLLECTOR BODY
12	PW07	FLAT WASHER 5/16
13	PS06	PHLP HD SCR 10-24 X 3/8
14	PFB01	FLANGE BOLT 5/16-18 X 1/2
15	PB03	HEX BOLT 5/16-18 X 1
17	P0548Z017	MOTOR 2HP 220V 1PH
17-1	P0548Z017-1	MOTOR FAN COVER
17-2	P0548Z017-2	MOTOR FAN
17-3	P0548Z017-3	CAPACITOR COVER
17-4	PC300B	S CAPACITOR 300M 125V 1-3/4 X 3-3/8
17-5	P0548Z017-5	MOTOR WIRING JUNCTION BOX
18	PN02	HEX NUT 5/16"-18
19	P0548Z019	OUTLET CONNECTOR
21	P1028Z2016	PUSH BUTTON SWITCH

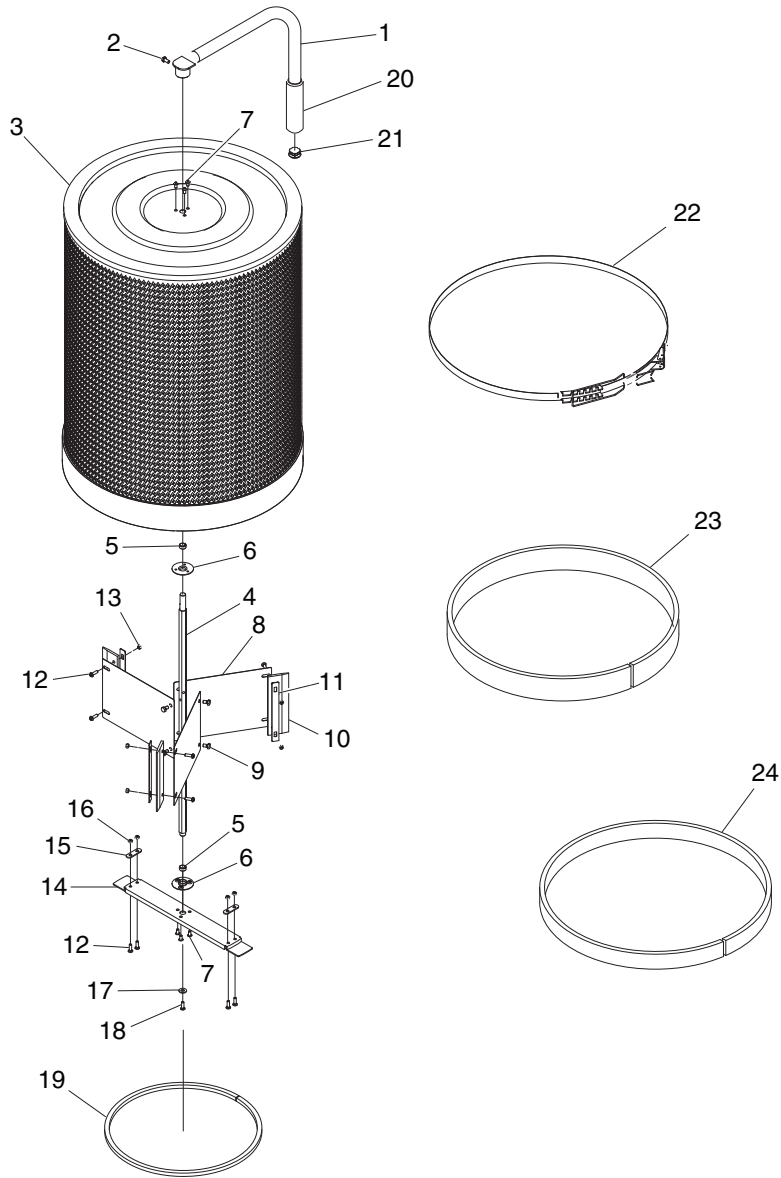
REF	PART #	DESCRIPTION
22	T20543	COLLECTION BAG
23	P1028Z023	COLLECTOR SUPPORT
24	P0548Z024	COLLECTOR
25	P0548Z025	SPACER
26	P1028Z2033	SPECIAL HEX WRENCH 5MM
27A	H5783	COMPLETE CANISTER ASSY
28	P1028Z028	RUBBER GASKET
29	P1030Z2027	INLET
29-1	P0548Z029-1	INLET CAP
30	PK28M	KEY 7 X 7 X 29
31	PWRCRD220L	POWER CORD 12/3 86"L
32	PWR1012	COMBO WRENCH 10/12MM
33	PWRCRD220S	POWER CORD 12/3 10"L
34	P1028Z2038	QUICK RELEASE CLAMP
35	P0548Z035	MACHINE ID LABEL
36	PLABEL-12	READ MANUAL 2W X 3.3H
37	PLABEL-11	SAFETY GLASSES 2W X 3.3H
38	PLABEL-39	RESPIRATOR 2W X 3.3H
39	PLABEL-59	NO HAND IN INLET LABEL
40	PLABEL-14	ELECTRICITY LABEL 1.4W X 1.2H
41	P0548Z041	FOAM STRIP 5 X 42MM
42	P0548Z042	FOAM STRIP 4 X 20MM

WARNING

Safety labels warn about machine hazards and ways to prevent injury. The owner of this machine **MUST** maintain the original location and readability of the labels on the machine. If any label is removed or becomes unreadable, **REPLACE** that label before using the machine again. Contact Grizzly at (800) 523-4777 or www.grizzly.com to order new labels.



H5783 Canister Filter Assembly

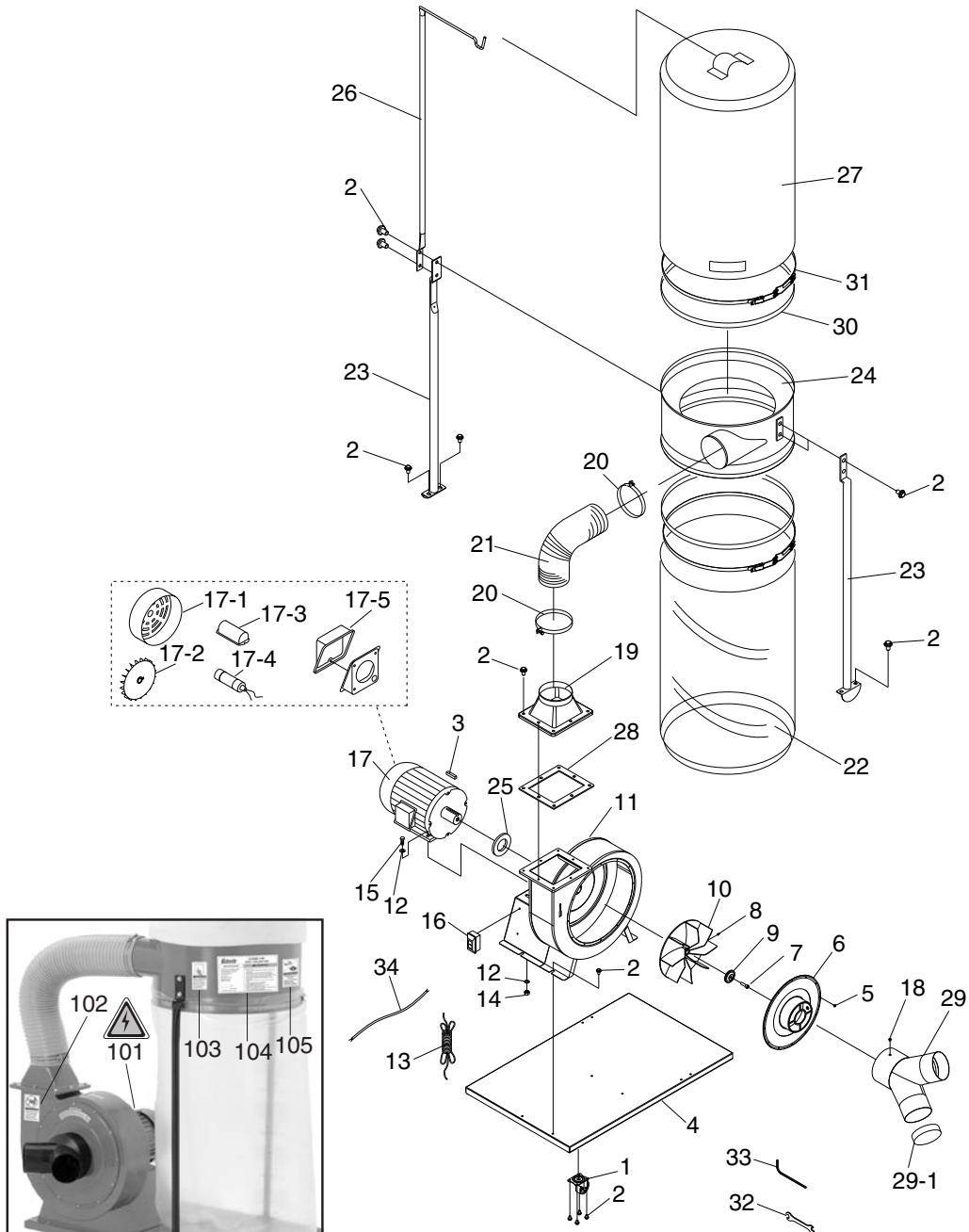


REF	PART #	DESCRIPTION
1	PH5783001	CLEANING HANDLE
2	PB83M	HEX BOLT M6-1 X 16
3	PH5783003	CANISTER FILTER
4	PH5783004	HEX SPINDLE
5	PH5783005	THRUST BEARING 12 X 14 X 6
6	PH5783006	BEARING PLATE
7	PS09M	PHLP HD SCR M5-.8 X 10
8	PH5783008	FLAP BOARD
9	PB04M	HEX BOLT M6-1 X 10
10	PH5783010	RUBBER FLAP
11	PH5783011	FLAP PLATE
12	PS20M	PHLP HD SCR M5-.8 X 15

REF	PART #	DESCRIPTION
13	PLN02M	LOCK NUT M5-.8
14	PH5783014	BOTTOM PLATE
15	PH5783015	SUPPORT TAB
16	PN06M	HEX NUT M5-.8
17	PW06	FLAT WASHER 1/4
18	PS68M	PHLP HD SCR M6-1 X 10
19	PH5783019	SPONGE GASKET 10 X 15MM
20	PH5783020	HANDLE SLEEVE
21	PH5783021	HANDLE CAP
22	PH5783022	QUICK RELEASE CLAMP
23	PH5783023	FOAM STRIP 4 X 20MM
24	PH5783024	FOAM STRIP 5 X 42MM



G1028Z2/G1029Z2 Parts Breakdown



⚠️ WARNING

Safety labels warn about machine hazards and ways to prevent injury. The owner of this machine **MUST** maintain the original location and readability of the labels on the machine. If any label is removed or becomes unreadable, **REPLACE** that label before using the machine again. Contact Grizzly at (800) 523-4777 or www.grizzly.com to order new labels.



G1028Z2 Parts List

REF	PART #	DESCRIPTION
1	P1028Z2001	CASTER
2	PFB01	FLANGE BOLT 5/16-18 X 1/2
3	PK32M	KEY 6 X 6 X 28
4	P1028Z2004	BASE PLATE
5	PS06	PHLP HD SCR 10-24 X 3/8
6	P1028Z2006	INLET COVER 6"
7	PSB121M	CAP SCREW M6-1 X 20 (LH)
8	PSS15	SET SCREW 3/8-16 X 3/8
9	P1028Z2009	SPECIAL WASHER
10	P1028Z2010	IMPELLER 12-3/4" BLADE 3-1/2"
11	P1028Z2011	COLLECTOR BODY
12	PW07	FLAT WASHER 5/16
13	PWRCRD220L	POWER CORD
14	PN02	HEX NUT 5/16-18
15	PB03	HEX BOLT 5/16-18 X 1
16	P1028Z2016	PUSH BUTTON SWITCH
17	P1028Z017	MOTOR 1-1/2HP 110/220V 1PH
17-1	P1028Z017-1	MOTOR FAN COVER
17-2	P1028Z017-2	MOTOR FAN
17-3	P1028Z017-3	CAPACITOR COVER
17-4	PC300G	S CAPACITOR 300M 125V 1-3/4 X 3-3/8
17-5	P1028Z017-5	JUNCTION BOX
18	PFS03	FLANGE SCREW 10-24 X 3/8

REF	PART #	DESCRIPTION
19	P1028Z2019	OUTLET
20	P1028Z2020	HOSE CLAMP 5"
21	P1028Z2021	HOSE 5"
22	T20543	LOWER PLASTIC BAG
23	P1028Z2023	COLLECTOR SUPPORT
24	P1028Z2024	COLLECTOR
25	P1028Z2025	PACKING
26	P1028Z2026	UPPER BAG SUPPORT
27	G5556	2.5 MICRON FILTER BAG
28	P1028Z2028	GASKET
29	P1028Z2029	6" X 4" X 4" Y-INLET
29-1	P1028Z2029-1	INLET CAP 4"
30	P1028Z2030	FOAM STRIP 4 X 20MM
31	P1028Z2031	BELT CLAMP
32	PWR1012	WRENCH 10/12MM
33	P1028Z2033	SPECIAL HEX WRENCH 5MM
34	PWRCRD220S	MOTOR CORD
101	PLABEL-14	ELECTRICITY LABEL
102	PLABEL-59	HANDS/OUTLET LABEL
103	PLABEL-12A	READ MANUAL LABEL
104	P1028Z2104	MACHINE ID LABEL
105	PLABEL-57	EYE/LUNG LABEL

G1029Z2 Parts List

REF	PART #	DESCRIPTION
1	P1028Z2001	CASTER
2	PFB01	FLANGE BOLT 5/16-18 X 1/2
3	PK28M	KEY 7 X 7 X 29
4	P1028Z2004	BASE PLATE
5	PS06	PHLP HD SCR 10-24 X 3/8
6	P1028Z2006	INLET COVER 6"
7	PSB121M	CAP SCREW M6-1 X 20 (LH)
8	PSS15	SET SCREW 3/8-16 X 3/8
9	P1028Z2009	SPECIAL WASHER
10	P1029Z2010	IMPELLER 12-3/4" BLADE 3-15/16"
11	P1028Z2011	COLLECTOR BODY
12	PW07	FLAT WASHER 5/16
13	PWRCRD220L	POWER CORD
14	PN02	HEX NUT 5/16-18
15	PB03	HEX BOLT 5/16-18 X 1
16	PSW04	PUSH BUTTON SWITCH
17	P1029Z2017	MOTOR 2 HP 220V 1PH
17-1	P1028Z2017-1	MOTOR FAN COVER
17-2	P1028Z2017-2	MOTOR FAN
17-3	P1028Z2017-3	CAPACITOR COVER
17-4	P1028Z2017-4	CAPACITOR 300M 125V 1-3/4 X 3-3/8
17-5	P1028Z2017-5	JUNCTION BOX
18	PFS03	FLANGE SCREW 10-24 X 3/8

REF	PART #	DESCRIPTION
19	P1028Z2019	OUTLET
20	P1028Z2020	HOSE CLAMP 5"
21	P1028Z2021	HOSE 5"
22	T20543	LOWER PLASTIC BAG
23	P1028Z2023	COLLECTOR SUPPORT
24	P1028Z2024	COLLECTOR
25	P1028Z2025	PACKING
26	P1028Z2026	UPPER BAG SUPPORT
27	G5556	2.5 MICRON FILTER BAG
28	P1028Z2028	GASKET
29	P1029Z2029B	6" X 4" X4" Y-INLET
29-1	P1029Z2029A	INLET CAP 4"
30	P1028Z2030	FOAM STRIP 4 X 20MM
31	P1028Z2031	BELT CLAMP
32	PWR1012	WRENCH 10/12MM
33	P1028Z2033	SPECIAL HEX WRENCH 5MM
34	PWRCRD220S	MOTOR CORD
101	PLABEL-14	ELECTRICITY LABEL
102	PLABEL-59	HANDS/OUTLET LABEL
103	PLABEL-12A	READ MANUAL LABEL
104	P1029Z2104	MACHINE ID LABEL
105	PLABEL-57	EYE/LUNG LABEL





WARRANTY CARD

Name _____

Street _____

City _____ State _____ Zip _____

Phone # _____ Email _____ Invoice # _____

Model # _____ Order # _____ Serial # _____

The following information is given on a voluntary basis. It will be used for marketing purposes to help us develop better products and services. **Of course, all information is strictly confidential.**

1. How did you learn about us?

- Advertisement
- Card Deck
- Friend
- Website
- Catalog
- Other:

2. Which of the following magazines do you subscribe to?

- Cabinetmaker & FDM
- Family Handyman
- Hand Loader
- Handy
- Home Shop Machinist
- Journal of Light Cont.
- Live Steam
- Model Airplane News
- Old House Journal
- Popular Mechanics
- Popular Science
- Popular Woodworking
- Precision Shooter
- Projects in Metal
- RC Modeler
- Rifle
- Shop Notes
- Shotgun News
- Today's Homeowner
- Wood
- Wooden Boat
- Woodshop News
- Woodsmith
- Woodwork
- Woodworker West
- Woodworker's Journal
- Other:

3. What is your annual household income?

- \$20,000-\$29,000
- \$30,000-\$39,000
- \$40,000-\$49,000
- \$50,000-\$59,000
- \$60,000-\$69,000
- \$70,000+

4. What is your age group?

- 20-29
- 30-39
- 40-49
- 50-59
- 60-69
- 70+

5. How long have you been a woodworker/metalworker?

- 0-2 Years
- 2-8 Years
- 8-20 Years
- 20+ Years

6. How many of your machines or tools are Grizzly?

- 0-2
- 3-5
- 6-9
- 10+

7. Do you think your machine represents a good value? Yes No

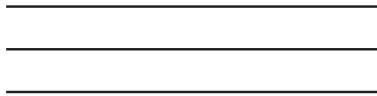
8. Would you recommend Grizzly Industrial to a friend? Yes No

9. Would you allow us to use your name as a reference for Grizzly customers in your area?
Note: We never use names more than 3 times. Yes No

10. Comments: _____

CUT ALONG DOTTED LINE

FOLD ALONG DOTTED LINE



Place
Stamp
Here



GRIZZLY INDUSTRIAL, INC.
P.O. BOX 2069
BELLINGHAM, WA 98227-2069



FOLD ALONG DOTTED LINE

Send a Grizzly Catalog to a friend:

Name _____
Street _____
City _____ State _____ Zip _____

TAPE ALONG EDGES--PLEASE DO NOT STAPLE

WARRANTY AND RETURNS

Grizzly Industrial, Inc. warrants every product it sells for a period of **1 year** to the original purchaser from the date of purchase. This warranty does not apply to defects due directly or indirectly to misuse, abuse, negligence, accidents, repairs or alterations or lack of maintenance. This is Grizzly's sole written warranty and any and all warranties that may be implied by law, including any merchantability or fitness, for any particular purpose, are hereby limited to the duration of this written warranty. We do not warrant or represent that the merchandise complies with the provisions of any law or acts unless the manufacturer so warrants. In no event shall Grizzly's liability under this warranty exceed the purchase price paid for the product and any legal actions brought against Grizzly shall be tried in the State of Washington, County of Whatcom.

We shall in no event be liable for death, injuries to persons or property or for incidental, contingent, special, or consequential damages arising from the use of our products.

To take advantage of this warranty, contact us by mail or phone and give us all the details. We will then issue you a "Return Number," which must be clearly posted on the outside as well as the inside of the carton. We will not accept any item back without this number. Proof of purchase must accompany the merchandise.

The manufacturers reserve the right to change specifications at any time because they constantly strive to achieve better quality equipment. We make every effort to ensure that our products meet high quality and durability standards and we hope you never need to use this warranty.

Please feel free to write or call us if you have any questions about the machine or the manual.

Thank you again for your business and continued support. We hope to serve you again soon.

grizzly.com[®]

TOOL WEBSITE

Buy Direct and Save with Grizzly[®] – Trusted, Proven and a Great Value!
~Since 1983~

*Visit Our Website Today For
Current Specials!*

**ORDER
24 HOURS A DAY!
1-800-523-4777**



Free Manuals Download Website

<http://myh66.com>

<http://usermanuals.us>

<http://www.somanuals.com>

<http://www.4manuals.cc>

<http://www.manual-lib.com>

<http://www.404manual.com>

<http://www.luxmanual.com>

<http://aubethermostatmanual.com>

Golf course search by state

<http://golfingnear.com>

Email search by domain

<http://emailbydomain.com>

Auto manuals search

<http://auto.somanuals.com>

TV manuals search

<http://tv.somanuals.com>