

Grizzly *Industrial, Inc.*®

MODEL G0703/G0703P 1½ HP CYCLONE DUST COLLECTOR

OWNER'S MANUAL

(For models manufactured since 03/12)



COPYRIGHT © AUGUST, 2009 BY GRIZZLY INDUSTRIAL, INC. REVISED APRIL, 2012 (KN)
**WARNING: NO PORTION OF THIS MANUAL MAY BE REPRODUCED IN ANY SHAPE
OR FORM WITHOUT THE WRITTEN APPROVAL OF GRIZZLY INDUSTRIAL, INC.**
#TRCRBLTSJB11940 PRINTED IN TAIWAN



WARNING!

This manual provides critical safety instructions on the proper setup, operation, maintenance, and service of this machine/tool. Save this document, refer to it often, and use it to instruct other operators.

Failure to read, understand and follow the instructions in this manual may result in fire or serious personal injury—including amputation, electrocution, or death.

The owner of this machine/tool is solely responsible for its safe use. This responsibility includes but is not limited to proper installation in a safe environment, personnel training and usage authorization, proper inspection and maintenance, manual availability and comprehension, application of safety devices, cutting/sanding/grinding tool integrity, and the usage of personal protective equipment.

The manufacturer will not be held liable for injury or property damage from negligence, improper training, machine modifications or misuse.



WARNING!

Some dust created by power sanding, sawing, grinding, drilling, and other construction activities contains chemicals known to the State of California to cause cancer, birth defects or other reproductive harm. Some examples of these chemicals are:

- **Lead from lead-based paints.**
- **Crystalline silica from bricks, cement and other masonry products.**
- **Arsenic and chromium from chemically-treated lumber.**

Your risk from these exposures varies, depending on how often you do this type of work. To reduce your exposure to these chemicals: Work in a well ventilated area, and work with approved safety equipment, such as those dust masks that are specially designed to filter out microscopic particles.

Table of Contents

INTRODUCTION	2	SECTION 5: OPERATIONS	33
Manual Accuracy	2	General Operation	33
Contact Info.....	2	Remote Control Operation.....	34
Machine Description	2	Reprogramming Receiver.....	34
Identification.....	3	Operating Remote Receiver.....	35
Glossary Of Terms.....	4	Replacing Canister Filter	35
Machine Data Sheet	5	SECTION 6: ACCESSORIES	37
SECTION 1: SAFETY	7	SECTION 7: MAINTENANCE	39
Safety Instructions for Machinery	7	Schedule	39
Additional Safety for Dust Collectors	9	Emptying Drum	39
SECTION 2: POWER SUPPLY	10	Cleaning Filter.....	39
Availability.....	10	SECTION 8: SERVICE	40
Full-Load Current Rating	10	Troubleshooting	40
Circuit Information	10	Motor & Electrical	40
Circuit Requirements for 110V	10	Dust Collector Operation	41
Circuit Requirements for 220V	11	SECTION 9: WIRING	42
Grounding Requirements	11	Wiring Safety Instructions	42
Extension Cords	12	Electrical Component Locations	43
Voltage Conversion.....	12	G0703/G0703P 110V Wiring Diagram.....	44
SECTION 3: SETUP	14	G0703/G0703P 220V Wiring Diagram.....	45
Unpacking	14	SECTION 10: PARTS	46
Needed for Setup.....	14	G0703 Breakdown	46
Hardware Recognition Chart	15	G0703 Parts List.....	47
Inventory	16	G0703P Breakdown.....	48
Site Considerations.....	17	G0703P Parts List.....	49
Assembly	18	G0703/G0703P Labels	50
Power Connection.....	22	WARRANTY & RETURNS	53
Connecting Power	22		
Disconnecting Power.....	22		
Test Run	23		
SECTION 4: DESIGNING THE SYSTEM	24		
General	24		
Tips for Optimum Performance	24		
Duct Material.....	24		
Metal Duct	25		
Flexible Duct.....	25		
System Design.....	26		
Step 1. Decide Who Will Design	26		
Step 2. Sketch Your Shop Layout.....	26		
Step 3. Sketch a Basic Duct Layout.....	26		
Step 4. Determine Required CFM of Each Machine	27		
Determining Main Line Duct Size	28		
Determining Branch Line Duct Size	28		
Drop Downs.....	28		
Multiple Dust Ports	29		
Calculating Duct Resistance	29		
Example Materials List	31		
System Grounding	32		


INTRODUCTION

Manual Accuracy

We are proud to offer this manual with your new machine! We've made every effort to be exact with the instructions, specifications, drawings, and photographs of the machine we used when writing this manual. However, sometimes we still make an occasional mistake.

Also, owing to our policy of continuous improvement, **your machine may not exactly match the manual**. If you find this to be the case, and the difference between the manual and machine leaves you in doubt, check our website for the latest manual update or call technical support for help.

Before calling, find the manufacture date of your machine by looking at the date stamped into the machine ID label (see below). This will help us determine if the manual version you received matches the manufacture date of your machine.

		MODEL GXXXX MACHINE NAME	
SPECIFICATIONS		WARNING!	
Motor:		Manufacture Date of Your Machine ing this machine: operation. s and respirator. sted/setup and suit before starting. 4. make sure the motor has stopped and disconnect power before adjustments, maintenance, or service. 5. DO NOT expose to rain or dampness. 6. DO NOT modify this machine in any way. 7. DO NOT remove safety guards. 8. Never leave machine running unattended. 9. DO NOT operate under the influence of drugs or alcohol. 10. Maintain machine carefully to prevent accidents.	
Specification:			
Specification:			
Specification:			
Weight:			
<input type="text"/>	Date		
<input type="text"/>	Serial Number		
Manufactured for Grizzly in Taiwan			

For your convenience, we post all available manuals and manual updates for free on our website at www.grizzly.com. Any updates to your model of machine will be reflected in these documents as soon as they are complete.

Contact Info

We stand behind our machines. If you have any questions or need help, use the information below to contact us. Before contacting, please get the serial number and manufacture date of your machine. This will help us help you faster.

Grizzly Technical Support
1203 Lycoming Mall Circle
Muncy, PA 17756
Phone: (570) 546-9663
Email: techsupport@grizzly.com

We want your feedback on this manual. What did you like about it? Where could it be improved? Please take a few minutes to give us feedback.

Grizzly Documentation Manager
P.O. Box 2069
Bellingham, WA 98227-2069
Email: manuals@grizzly.com

Machine Description

The Model G0703/G0703P is a 2-stage cyclone dust collector designed to capture the dust from woodworking machines. The main difference between the machines is the color.

The pleated cartridge filter provides a large surface area and crank-operated internal paddles knock loose caked-on dust to maintain filter efficiency.

Built for convenience, a remote control allows the dust collector to be operated from across the room. The collection drum sits on casters to provide easy dumping.



Identification

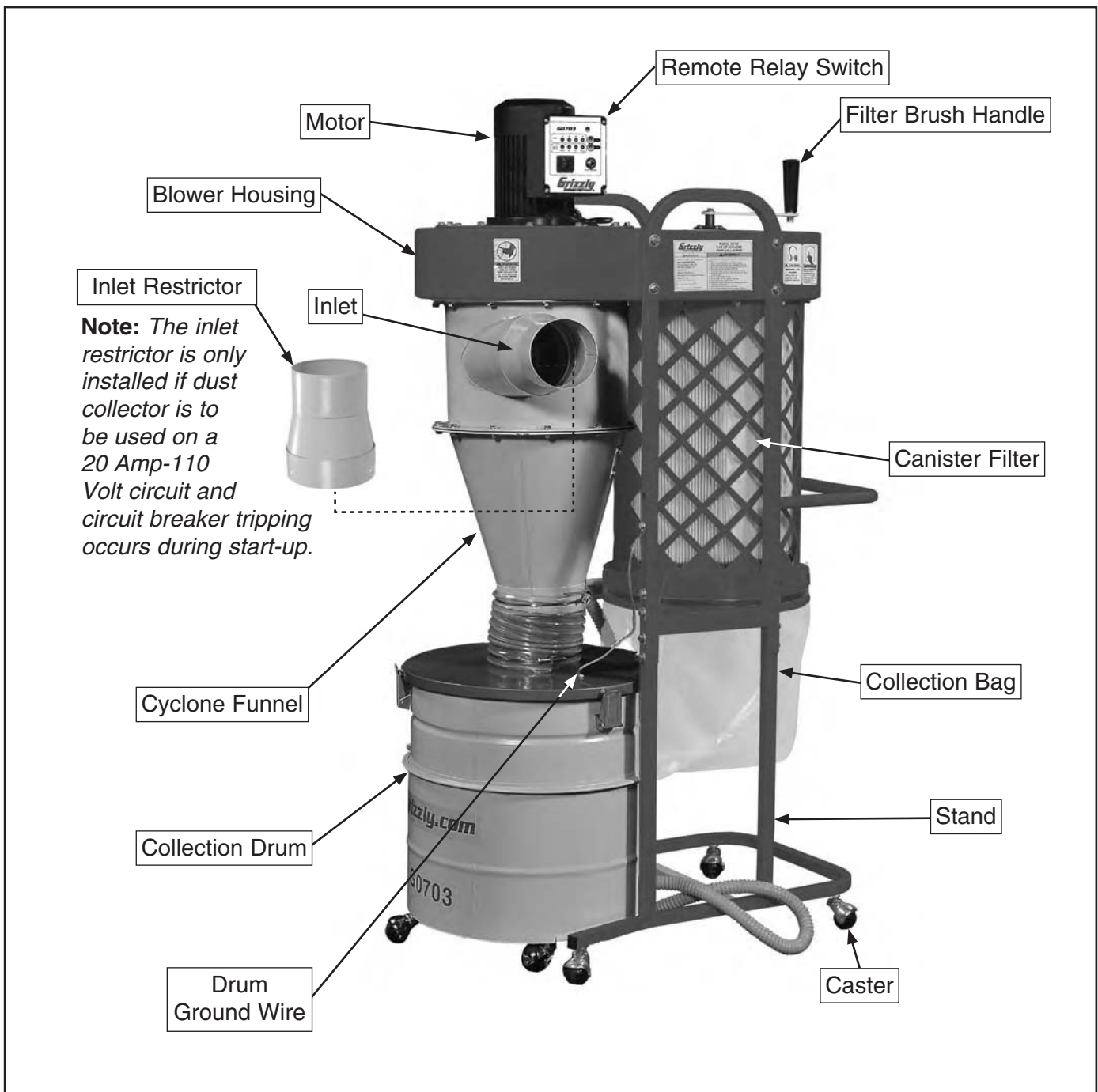
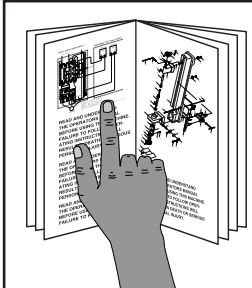


Figure 1. Identification.



! WARNING
To reduce the risk of serious injury when using this machine, read and understand this entire manual before beginning any operations.



Glossary Of Terms

The following is a list of common definitions, terms and phrases that relate to dust collection and dust collectors in general. To get the most out of this manual, familiarize yourself with these terms before reading.

Air Suction Capacity: The maximum volume of air (rated in CFM) that a dust collector can move, at the inlet, when fully assembled and not connected to any ducting.

Branch Line: A secondary length of duct that connects a dust-producing machine to the *Main Line* of a permanent dust collection system. The minimum recommended *Velocity* for branch lines is 4000 FPM.

Collection Bag/Drum: The part of the dust collector that holds the majority of captured dust.

CFM (Cubic Feet per Minute): A measurement describing the volume of air that moves through an area in one minute. $CFM = Velocity (FPM) \times Cross\text{-}Sectional\ Area\ of\ Duct (ft.^2)$.

Cyclone: A type of two-stage dust collector that uses centrifugal force to remove large dust particles before they can reach the filter.

Duct (Ducting): Metal/plastic pipe or hose that connects the dust collector to dust-producing machines. Typically available in rigid or flexible options.

Dust Collection System: The entire assembly of dust collector, duct, and fittings used to capture dust from machines.

Dust Port/Hood: The part of a dust-producing machine that connects to dust collection duct.

Filter: The part of the dust collector that prevents the majority of suctioned dust from returning to the shop environment. Filters are rated by the size of fine dust (measured in microns) that can pass through them.

Fittings (Y's, T's, Elbows, etc.): The various duct connections that allow the branch and main lines of a dust collection system to be routed from the machine to the dust collector.

Duct Grounding: A method of using bare wire with plastic duct to safely dissipate static electricity buildup during operation.

Main Line: The primary length of duct that connects the dust collector to the branch lines of a permanent dust collection system. The minimum recommended *Velocity* for main lines is 3500 FPM.

Machine CFM Requirement: Indicates the minimum amount of airflow required at the dust port/hood of a dust-producing machine for adequate removal of the waste produced. Essentially, the performance required by the *Dust Collection System* after accounting for the drop in CFM from the static pressure loss of the duct line between the machine and the dust collector.

Powered Air Filter: An independently operated machine that removes fine dust suspended in the air. Typically operated during and after dust-producing operations as a secondary method to improve the air quality in a shop.

Single-Stage Collector: A type of dust collector where all collected chips and dust are expelled directly into the filter.

Static Pressure: Expressed in units of inches of water, this describes the difference in pressure between the air inside and outside the dust collector. It is a measure of the suction created by the blower.

Two-Stage Collector: A type of dust collector where large/heavy waste is captured in a separate container before the airflow reaches the filter. Benefits include longer operation times between filter maintenance or replacement.

Velocity: The speed of airflow movement, measured in FPM (Feet Per Minute). $Velocity = Volume (CFM) / Cross\text{-}Sectional\ Area\ of\ Duct (ft.^2)$.





MACHINE DATA SHEET

Customer Service #: (570) 546-9663 · To Order Call: (800) 523-4777 · Fax #: (800) 438-5901

MODELS G0703/G0703P 1-1/2 HP CYCLONE DUST COLLECTOR

Product Dimensions:

Weight..... 165 lbs
Width (side-to-side) x Depth (front-to-back) x Height..... 38-1/4 x 23-1/4 x 65-1/2 in.
Footprint (Length x Width)..... 38-1/4 x 23-1/2 in.

Shipping Dimensions:

Type..... Cardboard on Pallet
Content..... Machine
Weight..... 201 lbs.
Length x Width x Height..... 36 x 27 x 47 in.

Electrical:

Power Requirement..... 110V/220V, Single-Phase, 60 Hz
Minimum Circuit Size..... 20A-110V w/inlet, 30A-110V w/o inlet, 15A-220V
Switch..... Relay Switch with Circuit Breaker
Switch Voltage..... 110V
Cord Length..... 10-1/2 ft.
Cord Gauge..... 12 AWG
Plug Included..... No
Recommended Plug/Outlet Type..... 6-15 @ 220V, 5-20 or L5-30 @ 110V

Motors:

Main

Type..... TEFC Class "F"
Horsepower..... 1-1/2
Voltage..... 110V/220V
Prewired..... 110V
Phase..... Single-Phase
Amps..... 18.8/9.4A
Speed..... 3450 RPM
Cycle..... 60 Hz
Number of Speeds..... 1
Power Transfer Direct Drive
Bearings..... Shielded and Permanently Sealed

Main Specifications:

Operation

Dust Collector Type..... Cyclone
Filter Type..... Pleated Cartridge
Airflow Capacity..... 775 CFM
Maximum Static Pressure..... 10 in.
Main Inlet Size..... 6 in.
Manifold Included..... Yes
Manifold Inlets..... 1
Manifold Inlet Size..... 5 in.
Maximum Material Collection Capacity..... 30 Gallons
Canister Filtration..... 0.2-2 Micron



Bag Information

No of Lower Bags..... 1
Lower Bag Capacity..... 2.66 cu. ft.
Lower Bag Diameter..... 15-3/4 in.
Lower Bag Length..... 23-5/8 in.

Canister Information

No of Canister Filters..... 1
Canister Filter Diameter..... 15-3/4 in.
Canister Filter Length..... 21 in.
Filter Surface Area..... 48 sq. ft.
Collection Drum Size..... 30 Gallons

Impeller Information

Impeller Type..... Radial Fin
Impeller Size..... 13-1/2 in.
Impeller Blade Thickness..... 0.091 in.

Construction

Lower Bag..... Clear Plastic
Canister..... Spun Bond Polyester
Base..... Steel
Frame..... Steel
Impeller..... Steel, Riveted
Body..... 18 Gauge Steel
Collection Drum..... Steel

Other

Height With Bags Inflated..... 68-1/2 in.

Other Specifications:

ISO 9001 Factory Yes
Country Of Origin Taiwan
Warranty 1 Year
Serial Number Location Machine ID Label on Impeller Housing
Customer Assembly & Setup Time 1 Hour
Sound Rating 85 db

Features:

- Steel collection drum with casters for easy dust disposal
- Class "F" motor
- Dual pleated filter with cleaning brushes to maximize air flow



SECTION 1: SAFETY

WARNING

For Your Own Safety, Read Instruction Manual Before Operating this Machine

The purpose of safety symbols is to attract your attention to possible hazardous conditions. This manual uses a series of symbols and signal words intended to convey the level of importance of the safety messages. The progression of symbols is described below. Remember that safety messages by themselves do not eliminate danger and are not a substitute for proper accident prevention measures.

 **DANGER** Indicates an imminently hazardous situation which, if not avoided, **WILL** result in death or serious injury.

 **WARNING** Indicates a potentially hazardous situation which, if not avoided, **COULD** result in death or serious injury.

 **CAUTION** Indicates a potentially hazardous situation which, if not avoided, **MAY** result in minor or moderate injury. It may also be used to alert against unsafe practices.

NOTICE This symbol is used to alert the user to useful information about proper operation of the machine.

WARNING

Safety Instructions for Machinery

OWNER'S MANUAL. Read and understand this owner's manual **BEFORE** using machine. Untrained users can be seriously hurt.

EYE PROTECTION. Always wear ANSI-approved safety glasses or a face shield when operating or observing machinery to reduce the risk of eye injury or blindness from flying particles. Everyday eyeglasses are not approved safety glasses.

HAZARDOUS DUST. Dust created while using machinery may cause cancer, birth defects, or long-term respiratory damage. Be aware of dust hazards associated with each workpiece material, and always wear a NIOSH-approved respirator to reduce your risk.

WEARING PROPER APPAREL. Do not wear clothing, apparel, or jewelry that can become entangled in moving parts. Always tie back or cover long hair. Wear non-slip footwear to avoid accidental slips which could cause a loss of workpiece control.

HEARING PROTECTION. Always wear hearing protection when operating or observing loud machinery. Extended exposure to this noise without hearing protection can cause permanent hearing loss.

MENTAL ALERTNESS. Be mentally alert when running machinery. Never operate under the influence of drugs or alcohol, when tired, or when distracted.



WARNING

DISCONNECTING POWER SUPPLY. Always disconnect machine from power supply before servicing, adjusting, or changing cutting tools (bits, blades, cutters, etc.). Make sure switch is in OFF position before reconnecting to avoid an unexpected or unintentional start.

APPROVED OPERATION. Untrained operators can be seriously hurt by machinery. Only allow trained or properly supervised people to use machine. When machine is not being used, disconnect power, remove switch keys, or lock-out machine to prevent unauthorized use—especially around children. Make workshop kid proof!

DANGEROUS ENVIRONMENTS. Do not use machinery in wet or rainy locations, cluttered areas, around flammables, or in dark areas. Keep work area clean, dry, and well-lighted.

ONLY USE AS INTENDED. Only use machine for its intended purpose. Never modify machine for a purpose not intended by the manufacturer!

USE RECOMMENDED ACCESSORIES. Consult this owner's manual or the manufacturer for recommended accessories. Using improper accessories will increase the risk of serious injury.

CHILDREN & BYSTANDERS. Keep children and bystanders a safe distance away from work area. Stop using machine if children or bystanders become a distraction.

REMOVE ADJUSTING TOOLS. Never leave adjustment tools, chuck keys, wrenches, etc. in or on machine—especially near moving parts. Verify removal before starting!

SECURING WORKPIECE. When required, use clamps or vises to secure workpiece. A secured workpiece protects hands and frees both of them to operate the machine.

FEED DIRECTION. Unless otherwise noted, feed work against the rotation of blades or cutters. Feeding in the same direction of rotation may pull your hand into the cut.

FORCING MACHINERY. Do not force machine. It will do the job safer and better at the rate for which it was designed.

GUARDS & COVERS. Guards and covers can protect you from accidental contact with moving parts or flying debris. Make sure they are properly installed, undamaged, and working correctly before using machine.

NEVER STAND ON MACHINE. Serious injury or accidental contact with cutting tool may occur if machine is tipped. Machine may be damaged.

STABLE MACHINE. Unexpected movement during operations greatly increases risk of injury or loss of control. Before starting, verify machines are stable and mobile base (if used) is locked.

AWKWARD POSITIONS. Keep proper footing and balance at all times when operating machine. Do not overreach! Avoid awkward hand positions that make workpiece control difficult or increase the risk of accidental injury.

UNATTENDED OPERATION. Never leave machine running while unattended. Turn machine **OFF** and ensure all moving parts completely stop before walking away.

MAINTAIN WITH CARE. Follow all maintenance instructions and lubrication schedules to keep machine in good working condition. An improperly maintained machine increases risk of injury.

CHECK DAMAGED PARTS. Regularly inspect machine for damaged parts, loose bolts, mis-adjusted or mis-aligned parts, binding, or any other conditions that may affect safe operation. Always repair or replace damaged or mis-adjusted parts before operating machine.

MAINTAIN POWER CORDS. When disconnecting cord-connected machines from power, grab and pull the plug—NOT the cord. Pulling the cord may damage the wires inside. Do not handle cord/plug with wet hands. Avoid cord damage by keeping it away from heated surfaces, high traffic areas, harsh chemicals, and wet/damp locations.

EXPERIENCING DIFFICULTIES. If at any time you are experiencing difficulties performing the intended operation, stop using the machine! Contact our Technical Support Department at (570) 546-9663.



Additional Safety for Dust Collectors

WARNING

INTENDED USE. This dust collector is only intended for collecting wood dust and chips from woodworking machines. DO NOT use this dust collector to collect metal, dirt, pebbles, drywall, asbestos, lead paint, silica, liquids, aerosols, or any flammable, combustible, or hazardous materials.

HAZARDOUS DUST. Dust created while using machinery may cause cancer, birth defects, or long-term respiratory damage. Be aware of dust hazards associated with each workpiece material, and always wear a NIOSH-approved respirator to reduce your risk.

DUST ALLERGIES. Dust from certain woods may cause an allergic reaction in people and animals. Make sure you know what type of wood dust you will be exposed to in case there is a possibility of an allergic reaction.

WEAR RESPIRATOR. Fine dust that is too small to be caught in the filter will be blown into the ambient air during operation. Always wear a NIOSH approved respirator during operation and for a short time after to reduce your risk of permanent respiratory damage.

EMPTYING DUST. When emptying dust from the collection container, wear a respirator and safety glasses. Empty dust away from ignition sources and into an approved container.

DISCONNECTING POWER SUPPLY. Turn the switch **OFF**, disconnect the dust collector from the power supply, and allow the impeller to come to a complete stop before leaving the machine unattended or doing any service, cleaning, maintenance, or adjustments.

REGULAR CLEANING. Regularly check/empty the collection bags or drum to avoid the buildup of fine dust that can increase the risk of fire. Make sure to regularly clean the surrounding area where the machine is operated—excessive dust buildup on overhead lights, heaters, electrical panels, or other heat sources will increase the risk of fire.

SUSPENDED DUST PARTICLES AND IGNITION SOURCES. DO NOT operate the dust collector in areas where explosion risks are high. Areas of high risk include, but are not limited to, areas near pilot lights, open flames, or other ignition sources.

FIRE SUPPRESSION. Only operate the dust collector in locations that contain a fire suppression system or have a fire extinguisher nearby.

IMPELLER HAZARDS. DO NOT place your hands or tools near the open inlet during operation for any reason. The powerful suction could easily cause accidental contact with the impeller which will cause serious personal injury or damage to the machine. Always keep small animals and children away from open dust collection inlets.

AVOIDING SPARKS. DO NOT allow steel or rocks to strike the impeller—this may produce sparks. Sparks can smolder in wood dust for a long time before a fire is detected. If you accidentally cut into wood containing tramp metal (nails, staples, spikes, etc.), immediately turn **OFF** the dust collector, disconnect it from power, and wait for the impeller to stop—then empty the collection container into an approved airtight metal container.

OPERATING LOCATION. To reduce respiratory exposure to fine dust, locate permanently installed dust collectors away from the working area, or in another room that is equipped with a smoke detector. DO NOT operate the dust collector in rainy or wet locations—exposure to water may create a shock hazard or decrease the life of the machine.

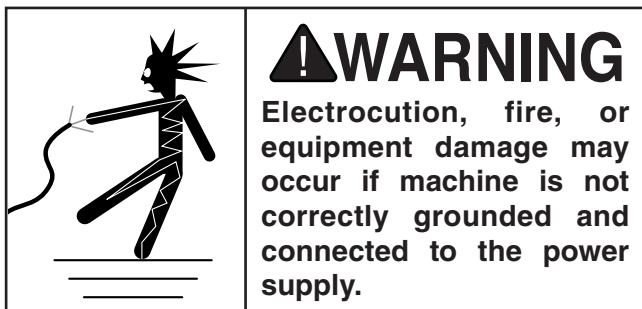
STATIC ELECTRICITY. Plastic dust lines generate high amounts of static electricity as dust chips pass through them. Although rare, sparks caused by static electricity can cause explosions or fire. To reduce this risk, make sure all dust lines are thoroughly grounded by using a grounding wire.



SECTION 2: POWER SUPPLY

Availability

Before installing the machine, consider the availability and proximity of the required power supply circuit. If an existing circuit does not meet the requirements for this machine, a new circuit must be installed. To minimize the risk of electrocution, fire, or equipment damage, installation work and electrical wiring must be done by a qualified electrician in accordance with all applicable codes and standards.



Full-Load Current Rating

The full-load current rating is the amperage a machine draws at 100% of the rated output power. On machines with multiple motors, this is the amperage drawn by the largest motor or sum of all motors and electrical devices that might operate at one time during normal operations.

Full-Load Current Rating at 110V

With Inlet Restrictor Installed 15.8 Amps
Without Inlet Restrictor Installed... 18.8 Amps

Full-Load Current Rating at 220V

With Inlet Restrictor Installed 7.9 Amps
Without Inlet Restrictor Installed..... 9.4 Amps

The full-load current is not the maximum amount of amps that the machine will draw. If the machine is overloaded, it will draw additional amps beyond the full-load rating.

If the machine is overloaded for a sufficient length of time, damage, overheating, or fire may result—especially if connected to an undersized circuit. To reduce the risk of these hazards, avoid overloading the machine during operation and make sure it is connected to a power supply circuit that meets the requirements in the following section.

Circuit Information

A power supply circuit includes all electrical equipment between the breaker box or fuse panel in the building and the machine. The power supply circuit used for this machine must be sized to safely handle the full-load current drawn from the machine for an extended period of time. (If this machine is connected to a circuit protected by fuses, use a time delay fuse marked D.)

! CAUTION

For your own safety and protection of property, consult an electrician if you are unsure about wiring practices or electrical codes in your area.

Note: *The circuit requirements listed in this manual apply to a dedicated circuit—where only one machine will be running at a time. If this machine will be connected to a shared circuit where multiple machines will be running at the same time, consult a qualified electrician to ensure that the circuit is properly sized for safe operation.*

Circuit Requirements for 110V

This machine is prewired to operate on a 110V power supply circuit that has a verified ground and meets the following requirements:

Nominal Voltage 110V/120V
Cycle.....60 Hz
Phase..... Single-Phase

*With Inlet Restrictor**

Circuit Rating 20 Amps
Plug/Receptacle NEMA 5-20

*Without Inlet Restrictor**

Circuit Rating 30 Amps
Plug/Receptacle NEMA L5-30

* An inlet restrictor is included to reduce the amperage draw below 16A, so the machine can be used on common 20A power supply circuits—without exceeding the ampacity of the circuit at 125% of the full-load current rating. Although the machine can operate on a 20A circuit without installing the restrictor, we do not recommend it.



Circuit Requirements for 220V

This machine can be converted to operate on a 220V power supply. The intended 220V circuit must have a verified ground and meet the requirements that follow:

Nominal Voltage 220V/240V
Cycle.....60 Hz
Phase..... Single-Phase
Circuit Rating..... 15 Amps
Plug/Receptacle NEMA 6-15

Grounding Requirements

This machine **MUST** be grounded. In the event of certain malfunctions or breakdowns, grounding reduces the risk of electric shock by providing a path of least resistance for electric current.

For 110V operation: The plug specified under “Circuit Requirements for 110V” on the previous page has a grounding prong that must be attached to the equipment-grounding wire inside the included power cord. The plug must only be inserted into a matching receptacle (see below) that is properly installed and grounded in accordance with all local codes and ordinances.

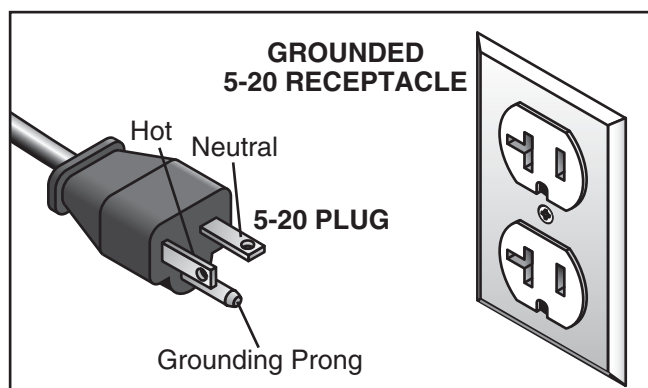


Figure 2. Typical 5-20 plug and receptacle.

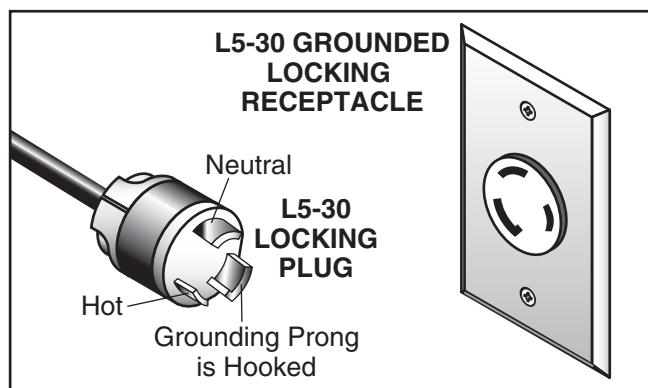


Figure 3. Typical L5-30 plug and receptacle.

For 220V operation: The plug specified under “Circuit Requirements for 220V” on the previous page has a grounding prong that must be attached to the equipment-grounding wire on the included power cord. The plug must only be inserted into a matching receptacle (see following figure) that is properly installed and grounded in accordance with all local codes and ordinances.

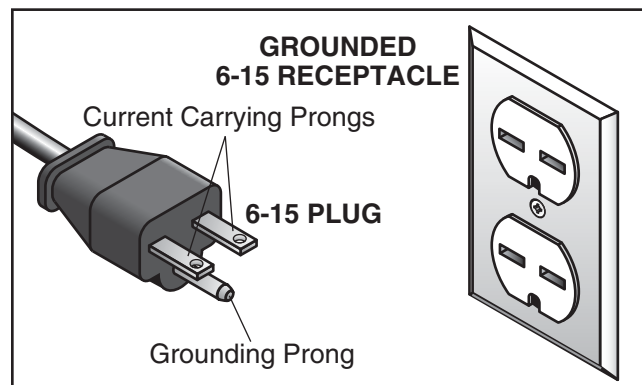
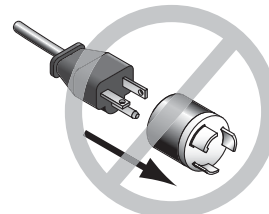


Figure 4. Typical 6-15 plug and receptacle.

CAUTION



No adapter should be used with the required plug. If the plug does not fit the available receptacle, or the machine must be reconnected for use on a different type of circuit, the reconnection must be made by a qualified electrician and comply with all local codes and ordinances.

WARNING

Serious injury could occur if you connect the machine to power before completing the setup process. **DO NOT** connect to power until instructed later in this manual.



Improper connection of the equipment-grounding wire can result in a risk of electric shock. The wire with green insulation (with or without yellow stripes) is the equipment-grounding wire. If repair or replacement of the power cord or plug is necessary, do not connect the equipment-grounding wire to a live (current carrying) terminal.

Check with a qualified electrician or service personnel if you do not understand these grounding requirements, or if you are in doubt about whether the tool is properly grounded. If you ever notice that a cord or plug is damaged or worn, disconnect it from power, and immediately replace it with a new one.

Extension Cords

We do not recommend using an extension cord with this machine. If you must use an extension cord, only use it if absolutely necessary and only on a temporary basis.

Extension cords cause voltage drop, which may damage electrical components and shorten motor life. Voltage drop increases as the extension cord size gets longer and the gauge size gets smaller (higher gauge numbers indicate smaller sizes).

Any extension cord used with this machine must contain a ground wire, match the required plug and receptacle, and meet the following requirements:

Minimum Gauge Size12 AWG
Maximum Length (Shorter is Better).....50 ft.

Voltage Conversion

The Model G0703/G0703P can be converted for 220V. This conversion requires installing a 220V plug, re-wiring the motor, and installing a 220V circuit board. The 220V circuit board, Part # P0708P088, can be purchased by calling Grizzly Customer Service at (800) 523-4777.

To convert the Model G0703/G0703P to 220V:

1. DISCONNECT MACHINE FROM POWER!
2. Remove the 110V plug from the power cord.
3. Remove the four screws that secure the remote control receiver panel to the control box (see **Figure 5**).

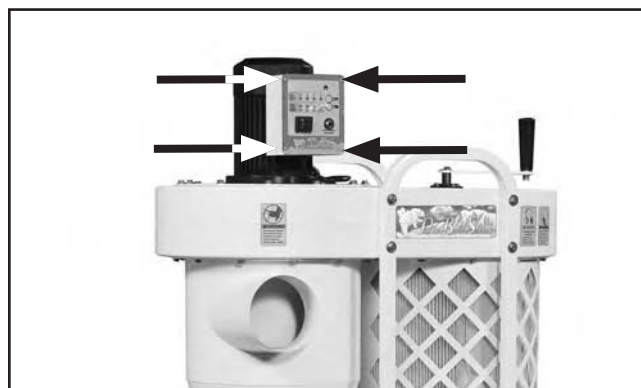


Figure 5. Remote receiver panel screws.



- Remove the wire nuts indicated in **Figure 6**.

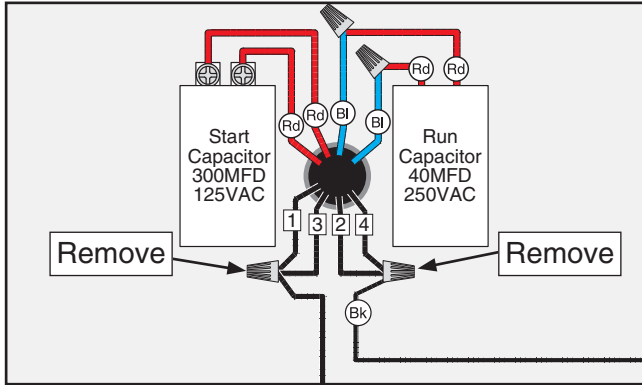


Figure 6. Motor wires at 110V.

- Connect the motor wires, as shown in **Figure 7**, with wire nuts. Once snug, use electrical tape to secure each wire nut to the wires it connects. This will reduce the likelihood of the wire nut loosening during motor operation.

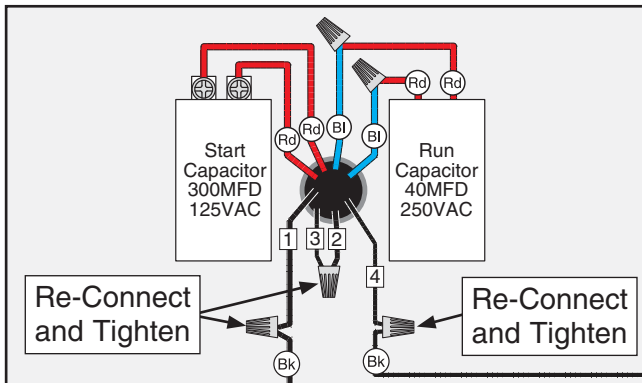


Figure 7. Motor wires repositioned for 220V.

- Remove the wires connected to the circuit board, as indicated in **Figure 8**.

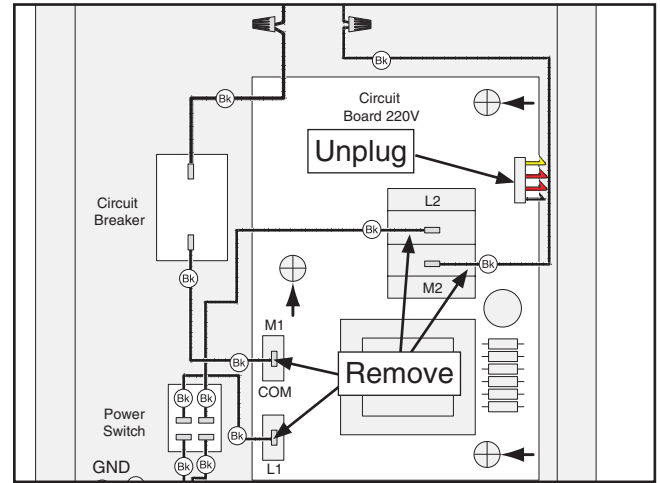
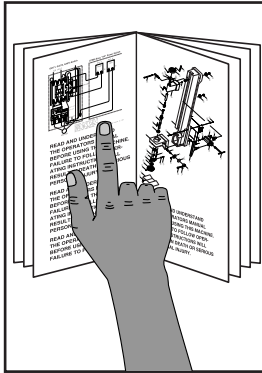


Figure 8. Location of wires to remove from circuit board.

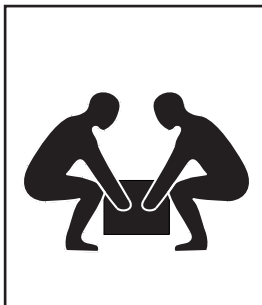
- Remove the three screws indicated by the short black arrows, see **Figure 8**, on the 110V circuit board, remove the circuit board, then secure the 220V circuit board with the three screws.
- Re-connect the wires removed in **Step 6** to the 220V circuit board exactly as they were connected to the 110V circuit board.
- Re-install the remote control receiver panel with the screws removed in **Step 3**.
- Install a NEMA 6-15 plug, according to the plug manufacturer's instructions included with the plug. If no instructions were included, use the wiring diagram on **Page 45**.



SECTION 3: SETUP



!WARNING
This machine presents serious injury hazards to untrained users. Read through this entire manual to become familiar with the controls and operations before starting the machine!



!WARNING
This machine and its components are very heavy. Get lifting help or use power lifting equipment such as a forklift to move heavy items.

Unpacking

Your machine was carefully packaged for safe transportation. Remove the packaging materials from around your machine and inspect it. If you discover any damage, *please call us immediately at (570) 546-9663 for advice.*

Save the containers and all packing materials for possible inspection by the carrier or its agent. *Otherwise, filing a freight claim can be difficult.*

When you are completely satisfied with the condition of your shipment, inventory the contents.



!WARNING
SUFFOCATION HAZARD!
Keep children and pets away from plastic bags or packing materials shipped with this machine. Discard immediately.

Needed for Setup

The following items are needed to complete the setup process, but are not included with your machine:

Description	Qty
• Assistant.....	1
• Safety Glasses	For Each Person
• Wrench $\frac{3}{8}$ "	2
• Wrench $\frac{5}{16}$ "	1
• Phillips Head Screwdriver #2	1



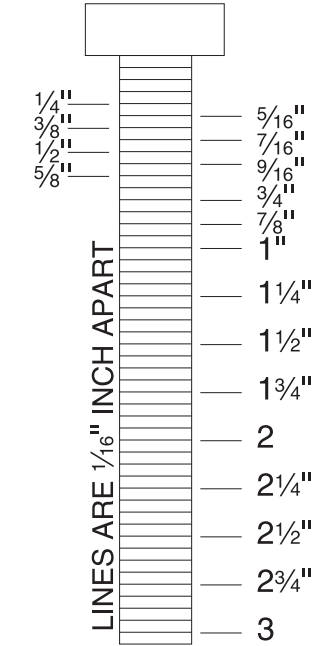
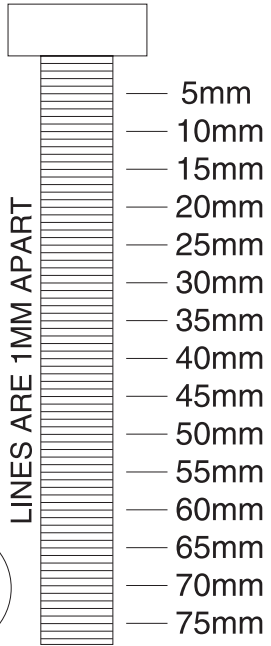
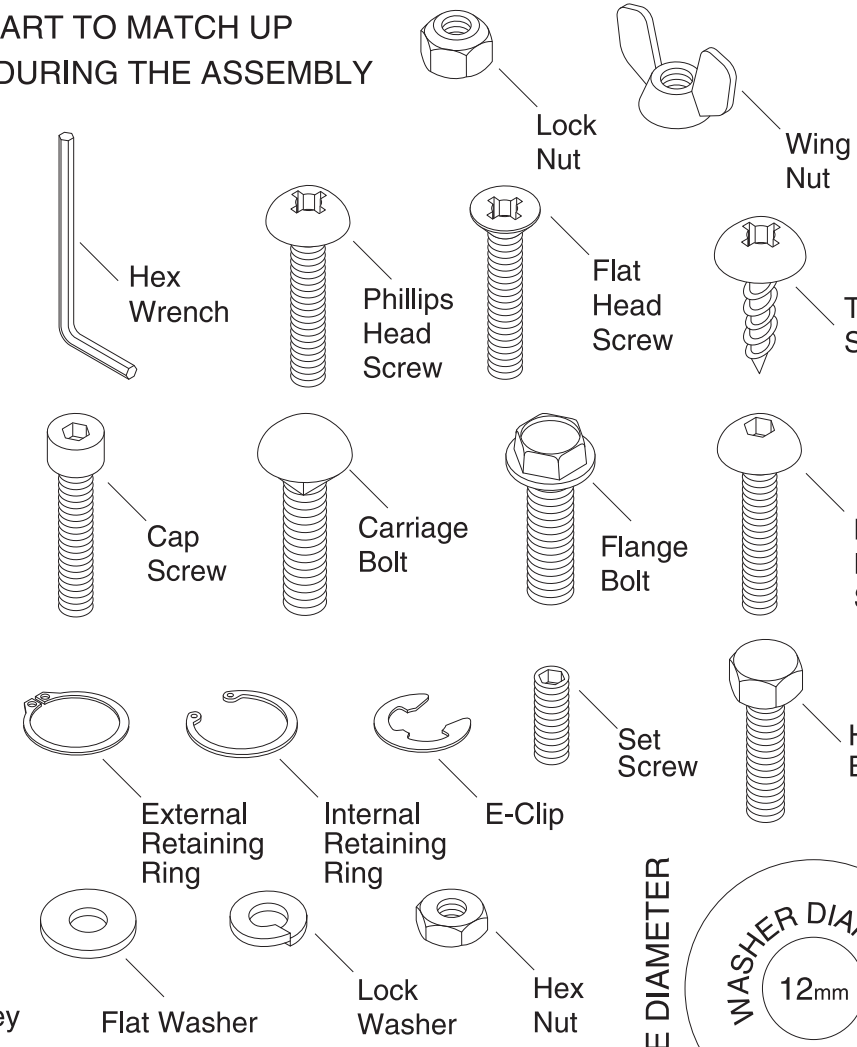
Hardware Recognition Chart

USE THIS CHART TO MATCH UP HARDWARE DURING THE ASSEMBLY PROCESS.

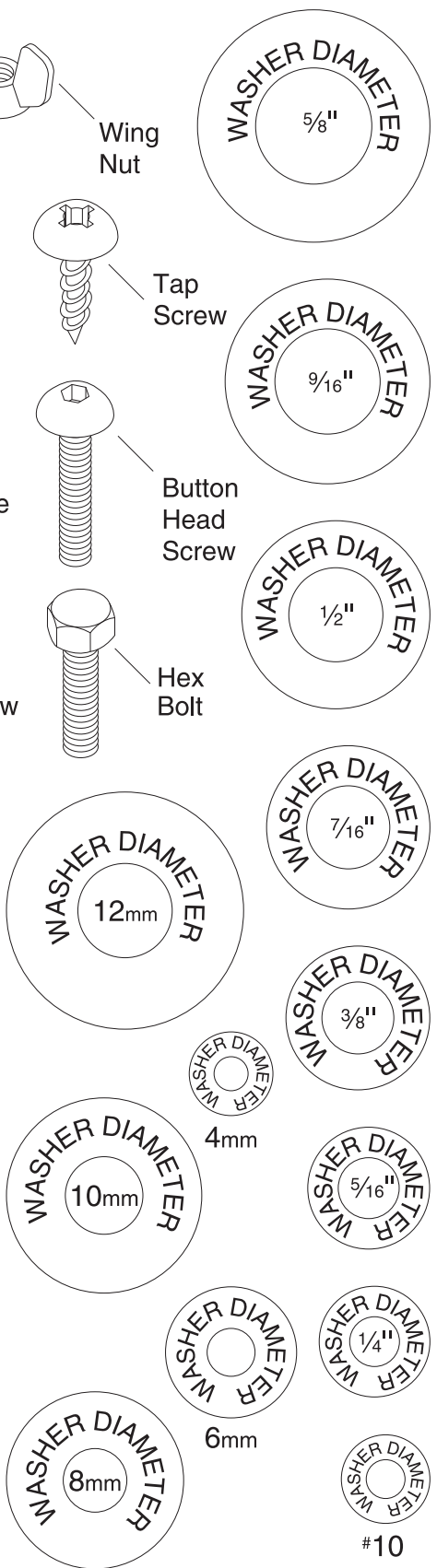
MEASURE BOLT DIAMETER BY PLACING INSIDE CIRCLE

- #10
- 1/4"
- 5/16"
- 3/8"
- 7/16"
- 1/2"

- 4mm
- 6mm
- 8mm
- 10mm
- 12mm
- 16mm



WASHERS ARE MEASURED BY THE INSIDE DIAMETER



Inventory

The inventory and assembly for the G0703 and the G0703P are identical. After all the parts have been removed from the boxes, you should have the following items:

Machine Inventory (Figure 9):	Qty
A. Dust Collector & Filter Assembly.....	1
B. Remote Control	1



Figure 9. Machine inventory.

Stand and Drum Inventory (Figure 10):	Qty
C. Main Collection Drum.....	1
D. Collection Drum Extension.....	1
Note: The drum extension is shipped inside of the main dust collection drum.	
E. Stand	1
F. Collection Drum Lid.....	1
G. Clamp Ring.....	1
H. Collection Drum Bag Seat.....	1

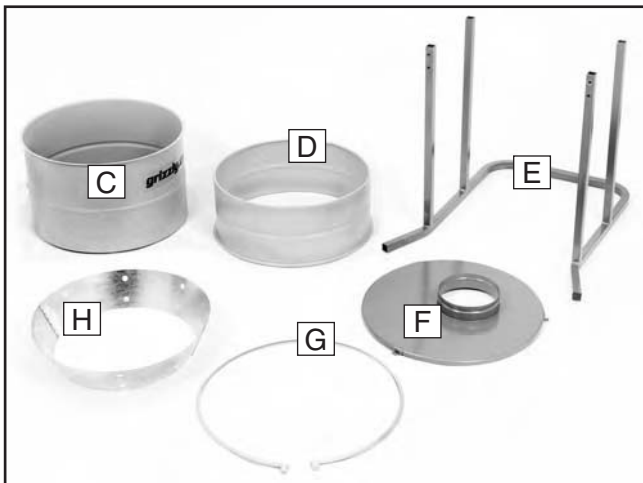


Figure 10. Stand and drum inventory.

General Inventory (Figure 11):	Qty
I. Upper Rails.....	2
J. Pull Handle	1
K. Spring Clamp.....	1
L. Rubber Seal 1.6 M	1
M. Hose Clamps 7"	2
N. Drum Suction Hose 1"	1
O. Hose Clamps 1".....	2
P. Flexible Hose 7"	1
Q. Hand Crank	1
R. Caster Wheels.....	8
S. Drum Dust Collection Bags.....	2
T. Filter Element Dust Collection Bags.....	2
U. Collection Drum Lid Latches	3
V. H-Brackets.....	2
W. Inlet Restrictor 6" X 5"	1
X. Hardware Bag	1
—Phillips Head Screws #10-24 x 3/8"	6
—Hex Bolts 5/16"-18 x 1 1/2"	8
—Hex Bolts 5/16"-18 x 3/4"	22
—Hex Nuts 3/8"-16	4
—Hex Nuts #10-24.....	6
—Flat Washers 3/8"	4
—Flat Washers 5/16".....	29
—Lock Washers 3/8"	8
—Tap Screws M4 x 12mm	3

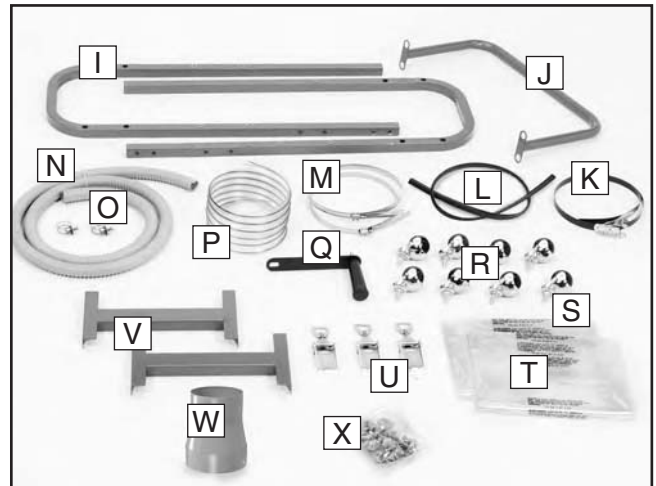


Figure 11. General inventory.

If any nonproprietary parts are missing (e.g. a nut or a washer), we will gladly replace them; or for the sake of expediency, replacements drum be obtained at your local hardware store.



Site Considerations

Weight Load

Refer to the **Machine Data Sheet** for the weight of your machine. Make sure that the surface upon which the machine is placed will bear the weight of the machine, additional equipment that may be installed on the machine, and the heaviest workpiece that will be used. Additionally, consider the weight of the operator and any dynamic loading that may occur when operating the machine.

Space Allocation

Consider the largest size of workpiece that will be processed through this machine and provide enough space around the machine for adequate operator material handling or the installation of auxiliary equipment. With permanent installations, leave enough space around the machine to open or remove doors/covers as required by the maintenance and service described in this manual. **See below for required space allocation.**



Physical Environment

The physical environment where the machine is operated is important for safe operation and longevity of machine components. For best results, operate this machine in a dry environment that is free from excessive moisture, hazardous chemicals, airborne abrasives, or extreme conditions. Extreme conditions for this type of machinery are generally those where the ambient temperature range exceeds 41°–104°F; the relative humidity range exceeds 20–95% (non-condensing); or the environment is subject to vibration, shocks, or bumps.

Electrical Installation

Place this machine near an existing power source. Make sure all power cords are protected from traffic, material handling, moisture, chemicals, or other hazards. Make sure to leave access to a means of disconnecting the power source or engaging a lockout/tagout device, if required.

Lighting

Lighting around the machine must be adequate enough that operations can be performed safely. Shadows, glare, or strobe effects that may distract or impede the operator must be eliminated.

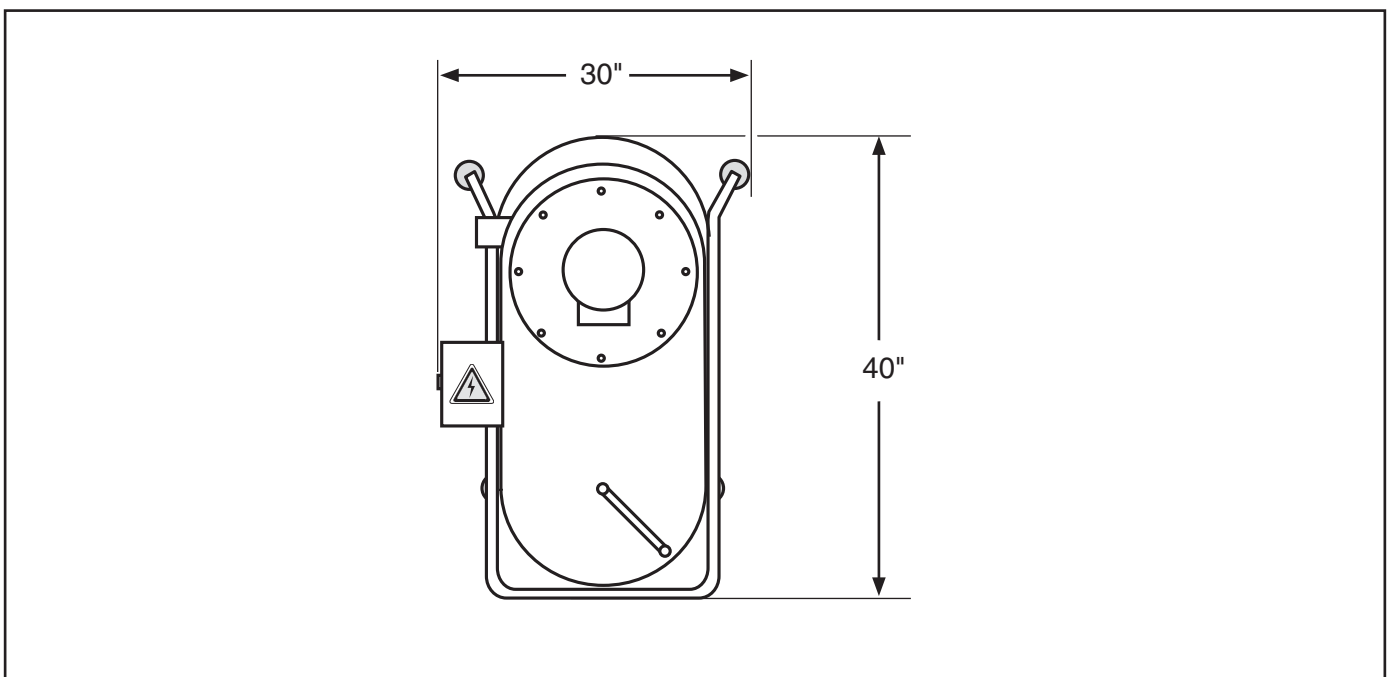


Figure 12. Minimum working clearances.



Assembly

To assemble the dust collector:

1. Invert the stand, place a $\frac{3}{8}$ " lock washer on each of the four caster wheel studs. Then thread each caster into the stand, and using a $\frac{3}{8}$ " wrench, tighten each caster stud onto the stand (see **Figure 13**).

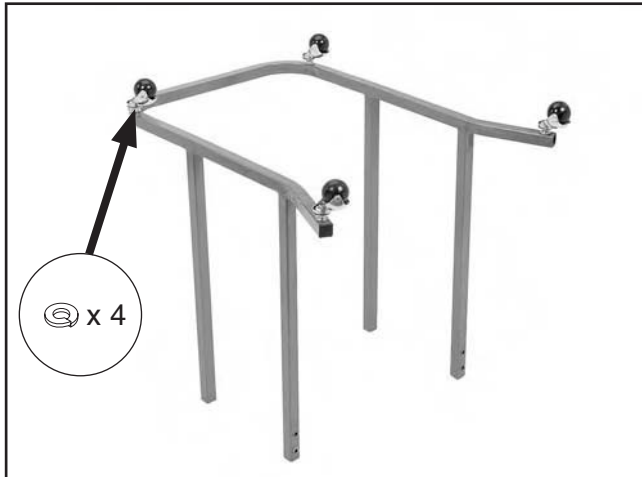


Figure 13. Stand and caster wheels.

2. Rotate the stand to the upright position.
3. Secure the H-supports and upper stand rails to the stand, as shown in **Figure 14**, using (16) $\frac{5}{16}$ "-18 x $\frac{3}{4}$ " hex bolts and (16) $\frac{5}{16}$ " flat washers.

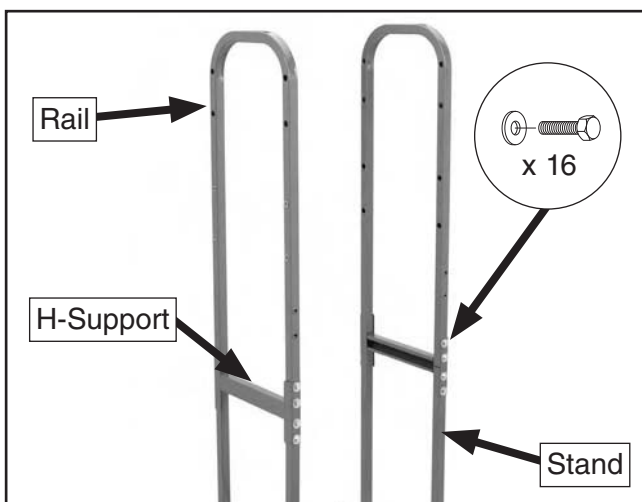


Figure 14. Installing stand rails.

4. Position the stand over the dust collector housing, as shown in **Figure 15**, and install (1) $\frac{5}{16}$ "-18 x $1\frac{1}{2}$ " hex bolt and flat washer on each side of the stand to serve as pivot bolts (leave bolts loose for now).



Figure 15. Pivot bolt installed.

5. With the help of an assistant, carefully lay the dust collector on its side, and line up the stand with the remaining six mounting holes.
6. Install the remaining (6) $\frac{5}{16}$ "-18 x $1\frac{1}{2}$ " hex bolts and (6) $\frac{5}{16}$ " flat washers, then tighten all hex bolts (see **Figure 16**).

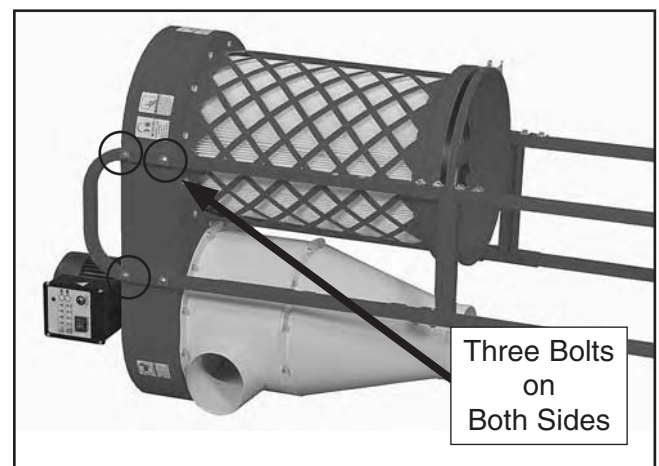


Figure 16. Dust collector and stand positioning.

7. With the help of an assistant, lift the stand and dust collector assembly upright into place.



8. Install the handle with (4) $\frac{5}{16}$ "-18 x $\frac{3}{4}$ " hex bolts and (4) $\frac{5}{16}$ " washers, as shown in **Figure 17**.

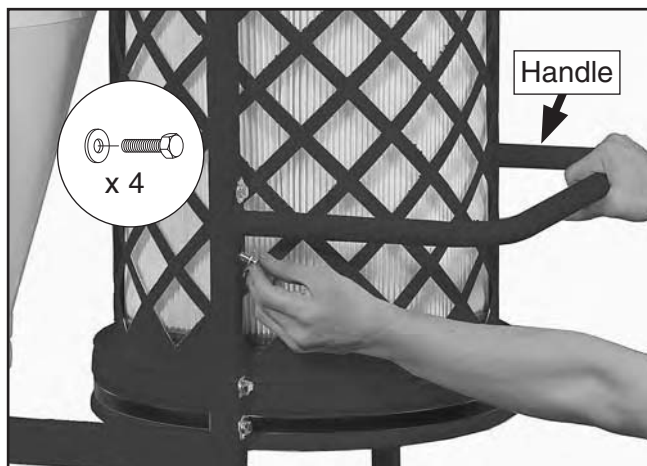


Figure 17. Installing the hand rail.

9. Install the hand crank on the shaft with (1) $\frac{5}{16}$ "-18 x $\frac{3}{4}$ " hex bolt and (1) $\frac{5}{16}$ " flat washer, as shown in **Figure 18**.



Figure 18. Hand crank installation.

10. Attach the casters to the bottom of the drum using (4) $\frac{3}{8}$ "-16 nuts, (4) $\frac{3}{8}$ " flat washers, and (4) $\frac{3}{8}$ " lock washers (see **Figure 19**).

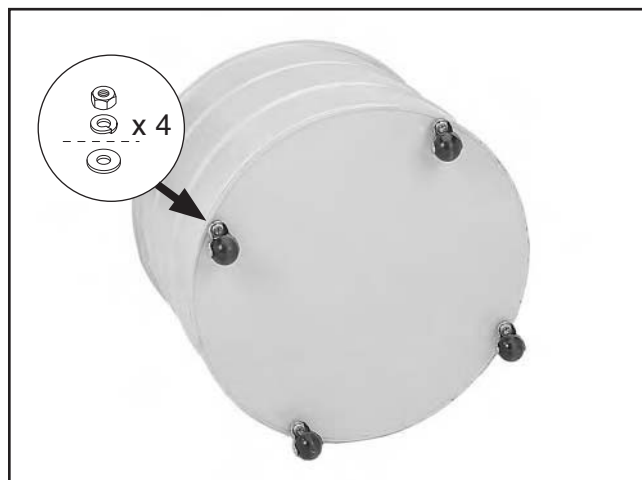


Figure 19. Dust collection drum casters installed.

11. Attach the lid latches to the side of the drum extender using (6) #10-24 x $\frac{3}{8}$ " Phillips head screws and (6) #10-24 hex nuts, as shown in **Figure 20**.

Note: To avoid bag snags, place the screw heads inside of the drum with the shanks facing outward, as shown in **Figure 20**.

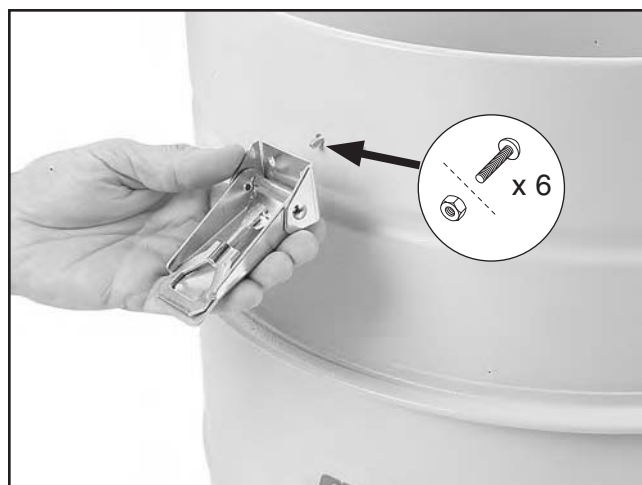


Figure 20. Lid latch installation.



12. Place the drum extender onto the drum, see **Figure 21**.



Figure 21. Drum extender on drum.

13. Secure the drum extender to the drum with the drum clamp. Use (1) $\frac{5}{16}$ "-18 x 3" hex bolt and (1) $\frac{5}{16}$ "-18 hex nut to secure the clamp (see **Figure 22**).

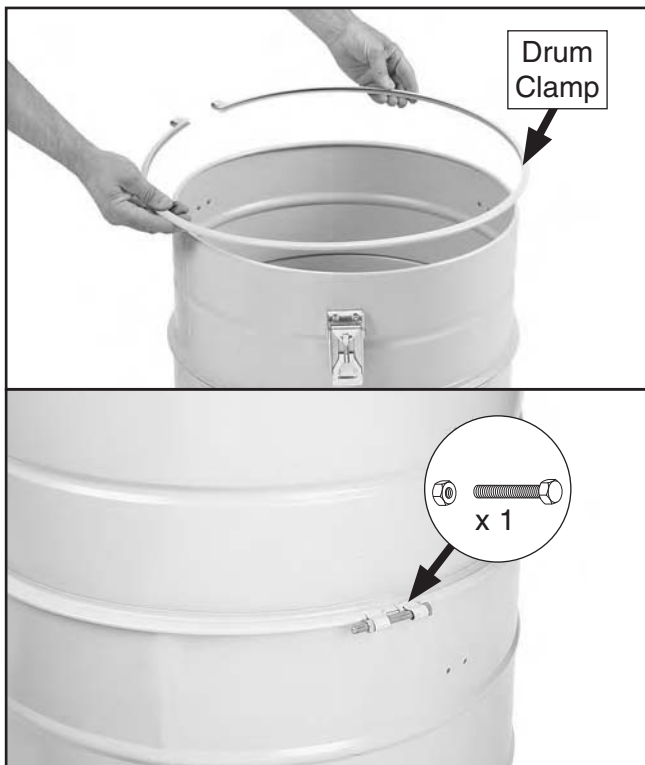


Figure 22. Installing drum extender with the drum clamp.

14. Place the dust collection bag seat into the duct collection drum, as shown in **Figure 23**.



Figure 23. Installing the dust collection bag seat.

15. Insert the rubber seal over the top lip of the drum rim, as shown in **Figure 24**. Pay special attention to the orientation of the seal shown in the inset of the figure.

Tip: To keep the seal in place, apply a small amount of adhesive to the drum rim at 3"-4" intervals.

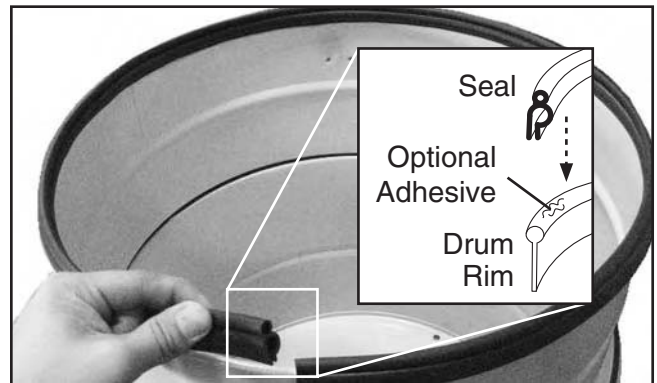


Figure 24. Installing canister seal.

Continued on next page →



16. Install the dust collection bag into the collection drum as shown in **Figure 25**.



Figure 25. Bag installation.

17. Place the drum lid onto the drum and tighten the latches, then roll the drum under the cyclone port so the drum spout faces the dust collector, as shown in **Figure 26**.

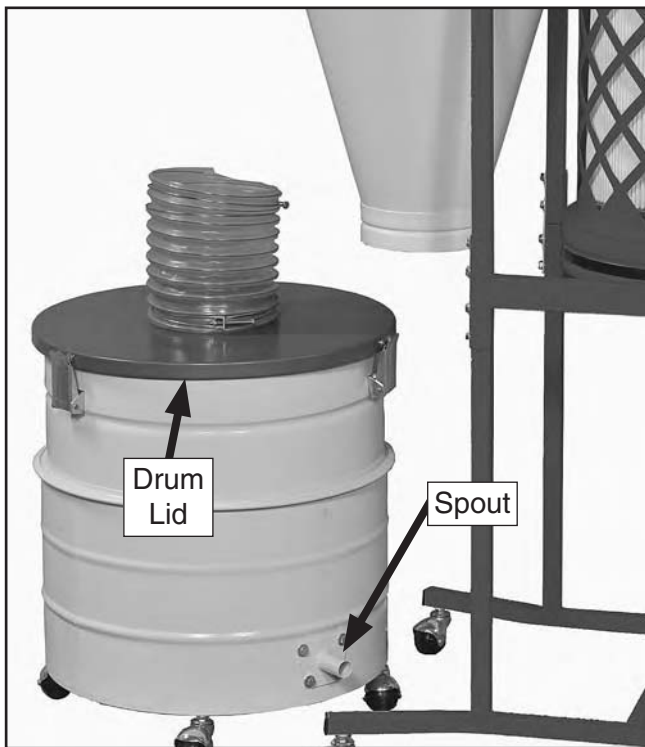


Figure 26. Collection drum positioning.

18. Connect the 1" hose and the 7" hose to the collection drum.
19. Connect the other end of both hoses to the cyclone housing (see **Figure 27**), and secure them in place with the appropriate diameter hose clamps.

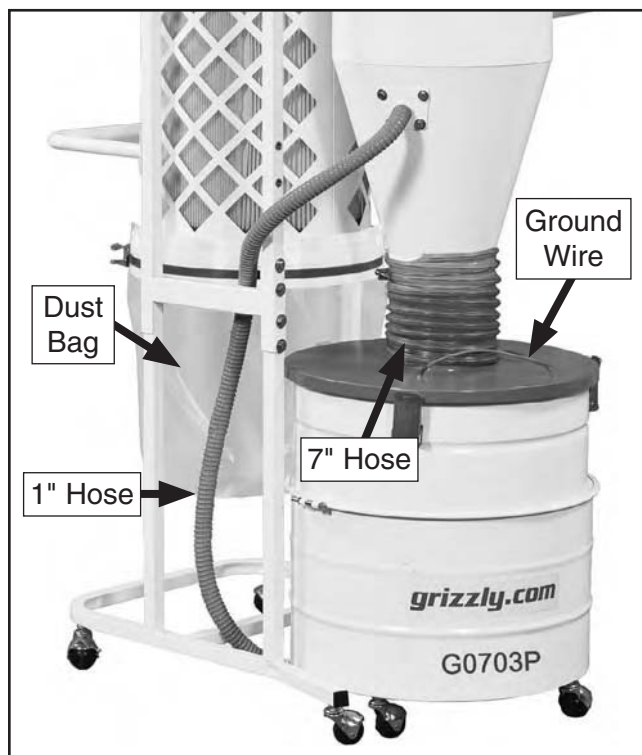


Figure 27. Hose and bag installed.

20. Install the filter element dust bag (**Figure 27**) to the filter, and clamp it in place with the spring clamp.

Tip: To make filter-element bag installation easier, use a piece of tape to hold the bag in place while the clamp is positioned and tightened.

21. Fasten one end of the ground wire (**Figure 27**) to the copper screw in the drum lid and the other end to the stand, using an existing $\frac{5}{16}$ "-18 hex bolt.



Power Connection

After you have completed all previous setup instructions and circuit requirements, the machine is ready to be connected to the power supply.

To avoid unexpected startups or property damage, use the following steps whenever connecting or disconnecting the machine.

NOTICE

The Model G0703/G0703P is prewired for 110V. If you plan to operate the machine at 220V, the motor must be rewired (see Page 12) and a 220V switch must be installed.

Connecting Power

1. Turn the machine power switch **OFF**.
2. Insert the power cord plug into a matching power supply receptacle. The machine is now connected to the power source.

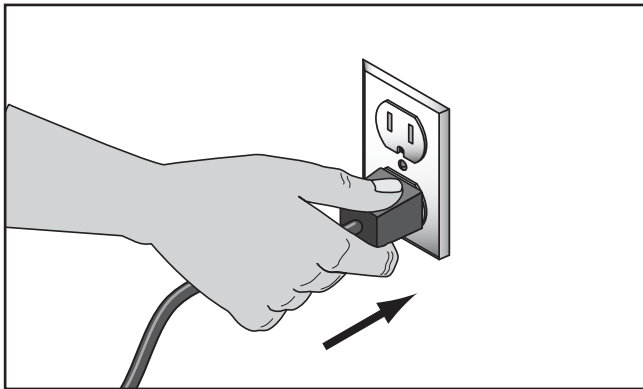


Figure 28. Connecting power.

Disconnecting Power

1. Turn the machine power switch **OFF**.
2. Grasp the molded plug and pull it completely out of the receptacle. Do not pull by the cord as this may damage the wires inside.

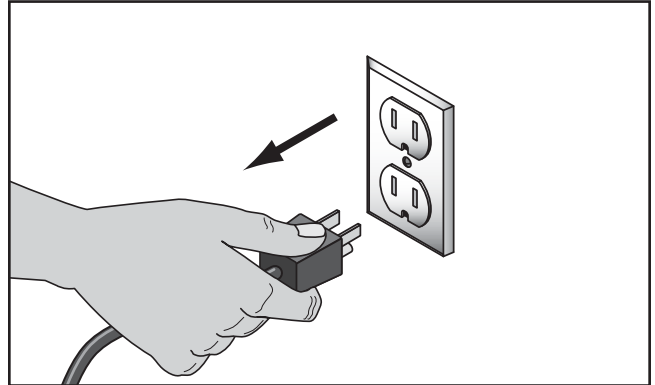


Figure 29. Disconnecting power.



Test Run

When the assembly is complete, test run your dust collection system to make sure it operates properly.

NOTICE

If using a 20-amp, 110-volt power supply circuit, the machine may cause the power supply circuit breaker to trip. If this occurs, you must install the included 6" x 5" inlet restrictor to lower the motor load and current draw.

If, during the test run, you cannot easily locate the source of an unusual noise or vibration, stop using the machine immediately, then review the **Troubleshooting** on **Page 40**.

If you still cannot remedy a problem, contact our Tech Support at (570) 546-9663 for assistance.

To test run your dust collection system:

1. Make sure you have read the safety instructions at the beginning of the manual and that the machine is setup properly.
2. Make sure all tools and objects used during setup are cleared away from the machine.
3. Review **Power Supply** on **Page 10** and connect the machine to the power source.

4. Toggle the power switch (see **Figure 30**) to ON (I). The power indicator light will illuminate.

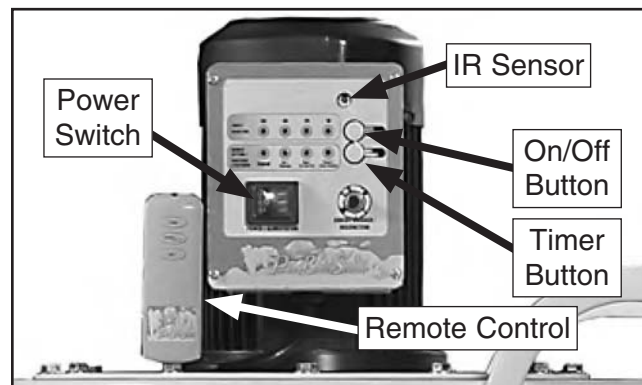


Figure 30. G0703P controls.

5. Press the ON/OFF button to turn the machine **ON**. Make sure your hand stays poised over the switch in case you need to quickly turn the machine **OFF**.
6. Listen to and watch for abnormal noises or actions. The machine should run smoothly with little or no vibration or rubbing noises.
—If you suspect any problems, immediately turn the machine **OFF** and disconnect it from power. Refer to **Troubleshooting** on **Page 40** to identify and fix any problems. If you do not solve the problem with the use of the **Troubleshooting** guide, contact our Tech Support at (570) 546-9663 for assistance.
7. Press the TIMER button on the remote control receiver and cycle through each time setting (1, 2, 4, and 8 hours) to make sure the indicators light.
8. Press the TIME button on the remote control and cycle through the remaining times (9–15 hours) in the same manner as **Step 7**.
9. To turn the machine **OFF**, toggle the power switch to OFF (O) on the receiver or press the START/STOP button on the remote control.



SECTION 4: DESIGNING THE SYSTEM

General

The Model G0703/G0703P is designed to collect dust from one machine at a time. This can be accomplished by either connecting it to one machine at a time or by connecting it to multiple machines and using blast gates to control which branch is active.

The Model G0703/G0703P works quite well as a point of use dust collector. The wheels make it easy to move around the shop near the machine being used.

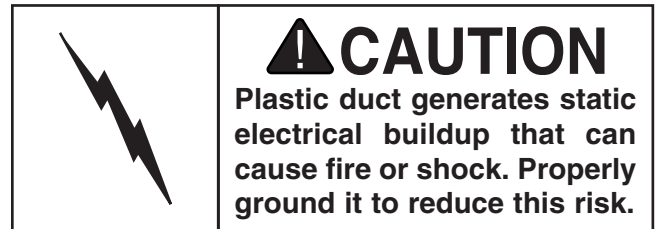
Tips for Optimum Performance

- Avoid using more than 10' of flexible hose on any connection.
- Keep ducts between the dust collector and machines as short as possible.
- Keep ducting directional changes to a minimum. The more curved fittings you use, the greater the loss of suction at the dust producing machine.
- Gradual directional changes are more efficient than sudden directional changes (i.e. use 45° elbows in place of 90° elbows whenever possible).
- The simpler the system, the more efficient and less costly it will be.

Duct Material

You have many choices regarding main line and branch line duct material. For best results, use metal duct for the main line and branch lines, then use short lengths of flexible hose to connect each machine to the branch lines.

Plastic duct is also a popular material for home shops. However, be aware that there is a fire or explosion hazard if plastic duct material is used for dust collection without being grounded against static electrical charge build-up. This topic will be discussed later in this section. Another problem with using plastic is that it is less efficient per foot than metal.



Plastic Duct

The popularity of plastic duct is due to the fact that it is an economical and readily available product. It is also simple to assemble and easily sealed against air loss. The primary disadvantage of plastic duct for dust collection is the inherent danger of static electrical build-up.



Figure 31. Examples of plastic ducting components.



Metal Duct

Advantages of metal duct is its conductivity and that it does not contribute to static electrical charge build-up. However, static charges are still produced when dust particles strike other dust particles as they move through the duct. Since metal duct is a conductor, it can be grounded quite easily to dissipate any static electrical charges.

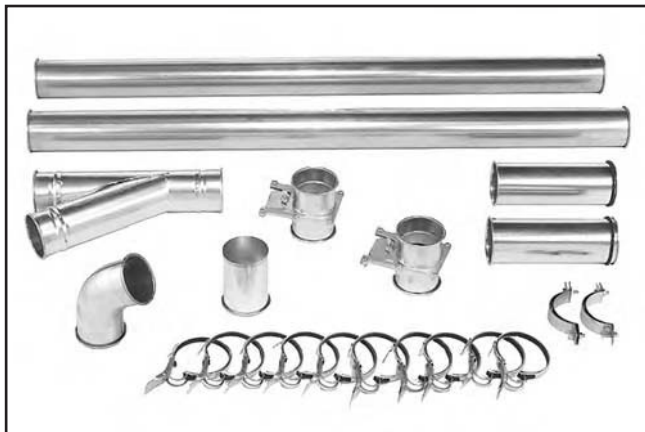


Figure 32. Examples of metal pipe and components.

There are a number of options when it comes to metal duct, but metal duct that is specially manufactured for dust collection is the best choice. When selecting your metal duct, choose high quality metal duct with smooth welded internal seams that will minimize airflow resistance. This type of duct usually connects to other ducts or elbows with a simple, self-sealing clamp, is very quick and easy to assemble, and can be readily dismantled and re-installed. This is especially important if you ever need to change things around in your shop or add more tools.

Avoid inferior metal duct that requires you to cut it to length and snap it together. This type of duct is time consuming to install because it requires you to seal all the seams with silicone and screw the components on the ends with sheet metal screws. Another disadvantage is the rough internal seams and crimped ends that unavoidably increase static pressure loss.

Flexible Duct

Flexible hose is generally used for short runs, small shops and at rigid duct-to-tool connections. There are many different types of flex hose on the market today. These are manufactured from materials such as polyethylene, PVC, cloth hose dipped in rubber and even metal, including steel and aluminum.

The superior choice here is metal flex hose that is designed to be flexible, yet be as smooth as possible to reduce static pressure loss.

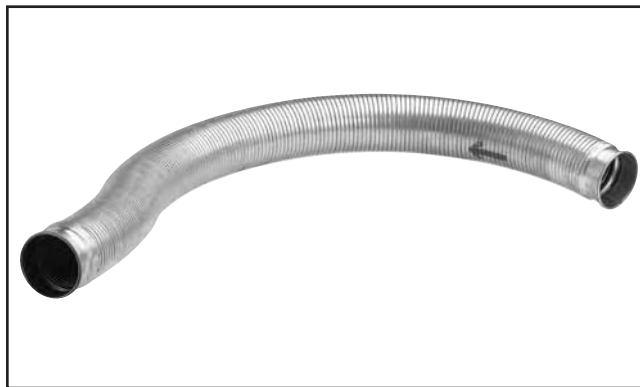


Figure 33. Example of flexible metal duct.

There are also many kinds of pure plastic flexible hose, such as non-perforated drainage type hose and dryer vent hose. Drainage type hose, while being economical, does not quite have the flexibility required for dust collection. The inside of the duct is also deeply corrugated and can increase the static pressure loss by as much as 50% over smooth wall duct. Dryer vent hose, while being completely flexible, is non-resistant to abrasion and has a tendency to collapse in a negative pressure system. We DO NOT recommend using dryer vent hose in your dust collection system.

If using flex-hose, you should choose one of the many types that are designed specifically for the movement of solid particles, i.e. dust, grains, and plastics. However, the cost of specifically designed flexible duct can vary greatly. Grizzly offers polyethylene hose, which is well suited for the removal of particulate matter, especially sawdust, since it is durable and completely flexible. Polyethylene is also very economical and available in a wide variety of diameters and lengths for most applications.



System Design

Step 1. Decide Who Will Design

For most small-to-medium sized shops, you can design and build the dust collection system yourself without hiring engineers or consultants. We have included some basic information here to get you started on a basic design.

If you have a large shop or plan to design a complicated system, we recommend doing additional research beyond this manual or seeking the help of an expert.

Step 2. Sketch Your Shop Layout

When designing a successful dust collection system, planning is the most important step. In this step, sketch a basic layout of your shop, including space requirements of different machines.

Before you get out your pencil and paper, we recommend you visit our **FREE Workshop Planner** available on our website at www.grizzly.com.

Our *Workshop Planner* will allow you to quickly and easily design and print a basic shop layout. Don't worry, non-Grizzly brand machines can be substituted with Grizzly machines for layout purposes. **Note:** After you're finished, make sure to save your layout for later modification.

Your sketch only needs the basic details of the shop layout, similar to the **Figure** below, including all your current/planned machines and your planned placement of the dust collector.

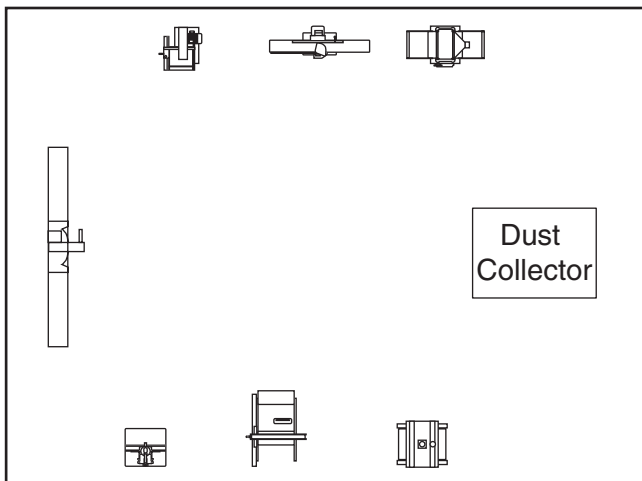


Figure 34. Basic sketch of shop layout.

Step 3. Sketch a Basic Duct Layout

For the next step, sketch how you will connect your machines to the dust collector. Consider these general guidelines for an efficient system:

1. Machines that produce the most saw dust should be placed nearest to the dust collector (i.e. planers and sanders).
2. Ideally, you should design the duct system to have the shortest possible main line and secondary branch ducts. See the figures below for ideas of efficient versus inefficient duct layouts.

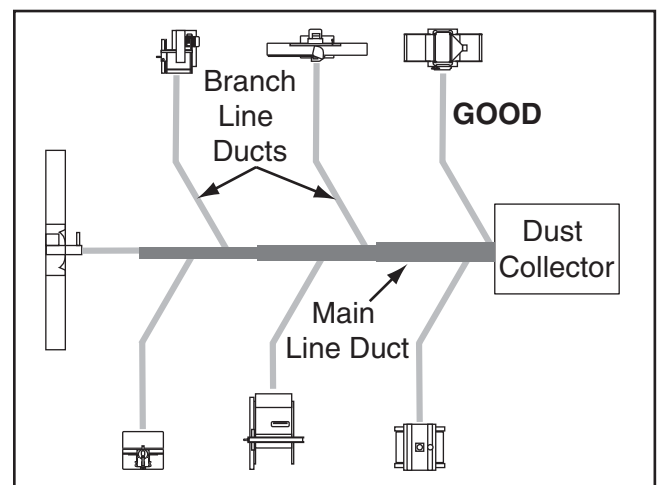


Figure 35. Efficient duct layout.

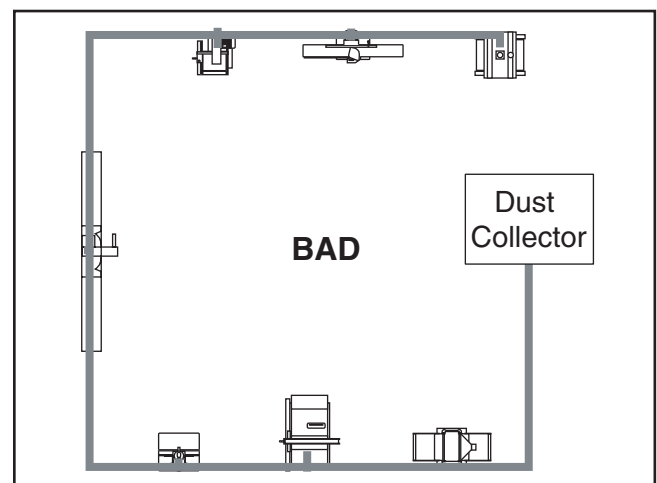


Figure 36. Inefficient duct layout.



- Directional changes should be kept to a minimum. The more directional change fittings you use directly increases the overall resistance to airflow.
- Gradual directional changes are more efficient than sudden directional changes (i.e. use the largest corner radius possible when changing hose or pipe direction).
- Each individual branch line should have a blast gate immediately after the branch to control suction from one machine to another.
- The simpler the system, the more efficient and less costly it will be.

Step 4. Determine Required CFM of Each Machine

Since each machine produces a different amount of sawdust, the requirements for the minimum amount of CFM to move that sawdust is unique to the machine (for example, a planer produces more sawdust than a table saw). Knowing this required CFM is important to gauging which size of duct to use.

Refer to the **Figure** below for a close estimation of the airflow each machine requires. Keep in mind that machines that generate the most sawdust should be placed closest to the dust collector. If the machine has multiple dust ports, the total CFM required is the sum of all ports.

Machine Dust Port Size	Approximate Required CFM
2"	98
2.5"	150
3"	220
4"	395
5"	614
6"	884
7"	1203
8"	1570
9"	1990
10"	2456

Figure 37. Approximate required airflow for machines, based on dust port size.

If the machine does not have a built-in dust port, use the following table to determine which size of dust port to install.

Machine	Average Dust Port Size
Table Saw.....	4"
Miter/Radial-Arm Saw.....	2"
Jointer (6" and smaller)	4"
Jointer (8"-12")	5"
Thickness Planer (13" and smaller).....	4"
Thickness Planer (14"-20")	6"
Shaper.....	4"
Router (mounted to table).....	2"
Bandsaw.....	4"
Lathe.....	4"
Disc Sander (12" and smaller).....	2"
Disc Sander (13-18").....	4"
Belt Sander (6" and smaller)	2"
Belt Sander (7"-9")	3"
Edge Sander (6" x 80" and smaller).....	4"
Edge Sander (6" x 80" and larger)	5"
Drum Sander (24" and smaller).....	2 x 4"
Drum Sander (24" and larger)	4 x 4"
Widebelt Sander (18" and smaller).....	5"
Widebelt Sander (24"-37" single head) ...	2 x 6"
Widebelt Sander (24"-51" double head) ..	5 x 4"

Figure 38. Dust port size and quantity per average machine.

Write the required CFM for each machine on your sketch, as shown in the figure below.

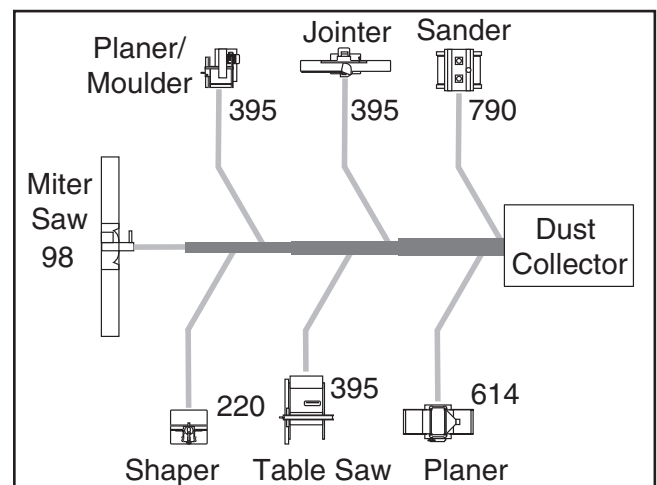


Figure 39. CFM requirements labeled for each machine.



Determining Main Line Duct Size

The general rule of thumb for a main line duct is that the velocity of the airflow must not fall below 3500 FPM.

For small/medium sized shops, using the inlet size of the dust collector as the main line duct size will usually keep the air velocity above 3500 FPM and, depending on your system, will allow you to keep multiple branches open at one time.

Mark your drawing, as shown in the figure below, but using the inlet size for your dust collector as the main line.

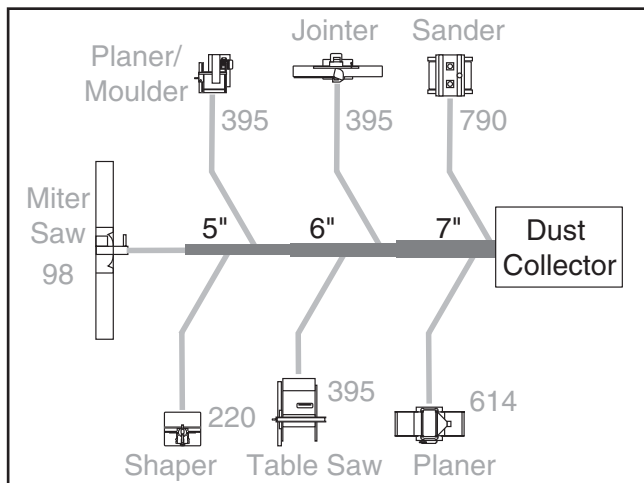


Figure 40. Main line size labeled on sketch.

Determining Branch Line Duct Size

The general rule of thumb for a branch line duct is that the velocity of the airflow must not fall below 4000 FPM.

For small/medium sized shops, using the dust port size from the machine as the branch line duct size will achieve the correct velocity in most applications. However, if the dust port on the machine is smaller than 4", make the branch line 4" and neck the line down right before the dust port.

Note: Systems with powerful dust collectors work better if multiple blast gates are left open. This also allows you to run two machines at once. Experiment with different combinations of blast gates open/closed to find the best results for your system.

Write your determined branch line sizes on your drawing, as shown in the following **Figure**.

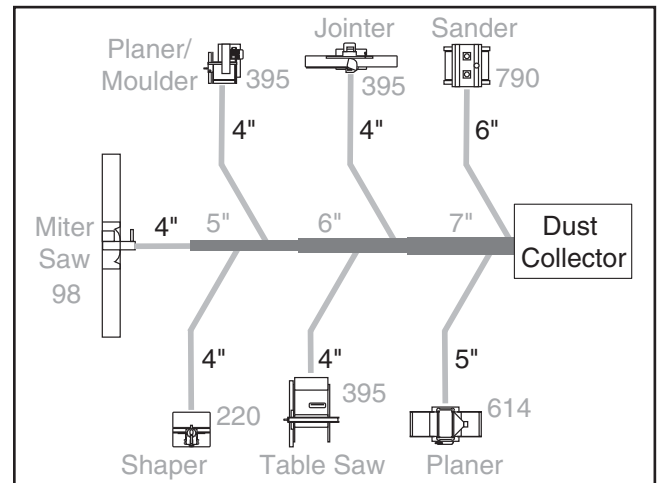


Figure 41. Branch line duct sizes labeled.

Drop Downs

Plan all the drop downs for each machine with blast gates, as shown in the **Figure** below.

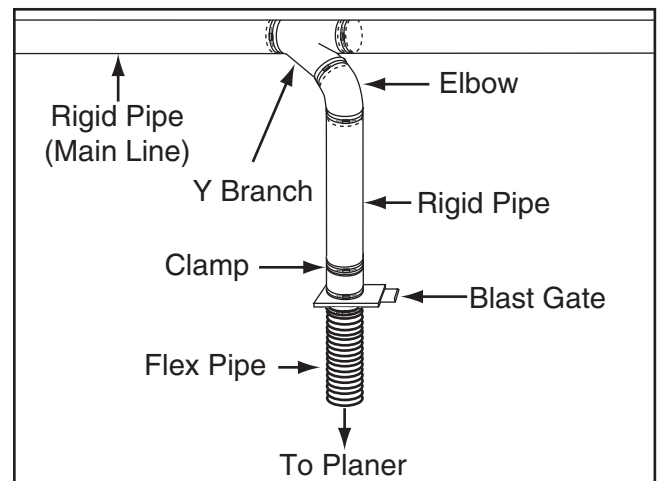


Figure 42. Drop down setup.



Multiple Dust Ports

If your machine has multiple dust ports, add the total CFM given for each dust port size from the table under **Step 4** (approximate required airflow) on the previous page. Refer to the **Table** below and find the CFM that is closest to your total to determine the correct branch size. Split the branch line just before the dust ports with matching duct sizes.

Total CFM	Branch Line Size
400	4"
500	4"
600	5"
700	5"
800	6"
900	6"
1000	6"

Figure 43. Branch line sizing table by total CFM.

Calculating Duct Resistance

Adding duct work, elbows, branches and any other components to a duct line increases airflow resistance (static pressure loss). This resistance can be minimized by using rigid (smooth) pipe and gradual curves, as opposed to flexible pipe and 90° elbows.

To help you think about this resistance, imagine riding a bicycle in a tunnel that is an exact replica of your duct work. If the inside of the tunnel is very bumpy (flexible pipe) and has a lot of sharp turns (90° elbows), it will take a lot more effort to travel from one end to the other.

The purpose of calculating the resistance is to determine if it is low enough from the machine to the dust collector to meet the given CFM requirement for the machine. Use the following tables to calculate the resistance of duct work.

Duct Dia.	Approximate Static Pressure Loss Per Foot of Rigid Pipe		Approximate Static Pressure Loss Per Foot of Flex Pipe	
	Main Lines at 3500 FPM	Branch Lines at 4000 FPM	Main Lines at 3500 FPM	Branch Lines at 4000 FPM
2"	0.091	0.122	0.35	0.453
2.5"	0.08	0.107	0.306	0.397
3"	0.071	0.094	0.271	0.352
4"	0.057	0.075	0.215	0.28
5"	0.046	0.059	0.172	0.225
6"	0.037	0.047	0.136	0.18
7"	0.029	0.036	0.106	0.141
8"	0.023	0.027	0.08	0.108
9"	0.017	0.019	0.057	0.079

Fitting Dia.	90° Elbow	45° Elbow	45° Wye(Y)	90° Wye(Y)
3"	0.47	0.235	0.282	0.188
4"	0.45	0.225	0.375	0.225
5"	0.531	0.266	0.354	0.236
6"	0.564	0.282	0.329	0.235
7"	0.468	0.234	0.324	0.216
8"	0.405	0.203	0.297	0.189

Figure 44. Static pressure loss tables.

In most small/medium shops it is only necessary to calculate the line with the longest duct length or the most fittings (operating under the assumption that if the line with the highest resistance works, the others will be fine).

To calculate the static pressure of any given line in the system, follow these steps:

1. Make a list of each size duct in the line, including the length, and multiply those numbers by the static pressure value given in the previous table.
2. List each type of elbow or branch and multiply the quantity (if more than one) by the static pressure loss given in the previous table.



3. Add the additional factors from the following table to your list.

Additional Factors	Static Pressure
Seasoned (well used) Dust Collection Filter	1"
Entry Loss at Large Machine Hood	2"

Figure 45. Additional factors affecting static pressure.

4. Total your list as shown in the example below to come up with your overall static pressure loss number for that line.

Note: Always account for a seasoned filter, so you don't end up with a system that only works right when the filter is clean.

Main Line	
6" Rigid Pipe (0.037) at 20'	0.740
Branch Line	
4" Rigid Pipe (0.075) at 10'	0.750
4" Flex Pipe (0.28) at 5'	1.400
Elbows/Branches	
6" 45° Y-Branch	0.329
4" 45° Elbow	0.225
Additional Factors	
Seasoned Filter	1.000
Total Static Pressure Loss	4.444

Figure 46. Totaling static pressure numbers.

Note: When calculating static pressure loss to determine if multiple lines can be left open at the same time, only include the main line numbers once.

5. Compare the total static pressure loss for that line to the closest CFM given in **Figure 47**.

Example: The G0703/G0703P **Performance Curve** is illustrated in **Figure 47**. Find 4.8 on the Static Pressure axis (the amount of total static pressure loss calculated in **Figure 28**), then refer to the closest value on the CFM axis—approximately 708 CFM.

The 708 CFM for the static pressure loss of the line connected to the router is well above the 220 CFM requirement of that machine.

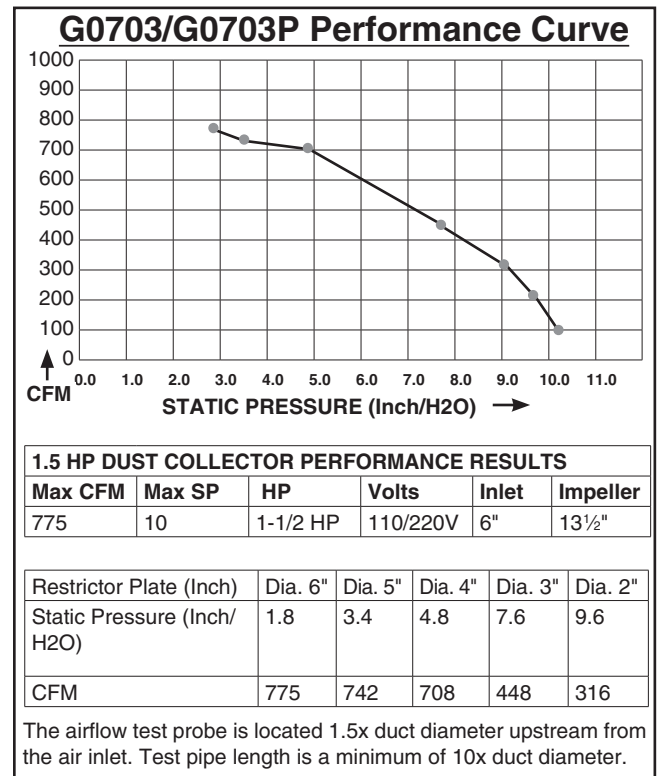


Figure 47. G0703/G0703P performance curve table and data.

—If the CFM for static pressure loss is above the requirement of the machine connected to the end of that branch line, then dust collection will most likely be successful. Congratulations! You've just designed your own dust system. Refer to the **Accessories** section on **Page 37** to start buying the components necessary to make your system a reality.

Continued on next page →



—If the CFM for your static pressure loss is below the requirement of the machine, then that line will not effectively collect the dust. You must then modify some of the factors in that line to reduce the static pressure loss. Some of the ways to do this include 1) installing larger duct, 2) reducing amount of flexible duct used, 3) increasing machine dust port size, 4) moving machine closer to dust collector to eliminate duct length, and 5) reducing 90° elbows or replacing them with 45° elbows.

Example Materials List

After the system is designed, create a materials list of all the items you will need to build your dust collection system. This will make it easy when it comes time to purchase the materials.

Below is an example of some items that might be needed. Refer to **Accessories** for dust collection components available through *grizzly.com*.

Description	Model	Quantity
6" Rigid Pipe at 20'	G7364	4
4" Rigid Pipe at 10'	G6162	2
4" Flex Hose at 5'	H7215	6
6" 45° Y-Branch	G7353	6
4" 45° Elbow	G6167	6

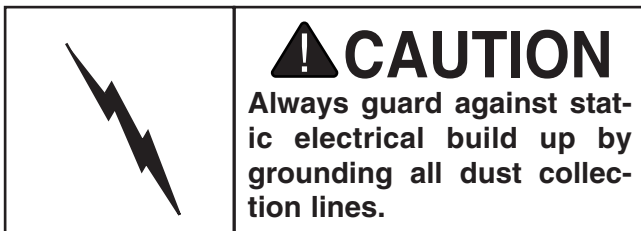


System Grounding

Since plastic hose is abundant, relatively inexpensive, easily assembled and air tight, it is a very popular material for conveying dust from woodworking machines to the dust collector. We recommend using flexible hose (flex-hose) to connect the woodworking machine to the dust collector. However, plastic flex-hose and plastic duct are an insulator, and dust particles moving against the walls of the plastic duct create a static electrical build up. This charge will build until it discharges to a ground. If a grounding medium is not available to prevent static electrical build up, the electrical charge will arc to the nearest grounded source. This electrical discharge may cause an explosion and subsequent fire inside the system.

To protect against static electrical build up inside a non-conducting duct, a bare copper wire should be placed inside the duct along its length and grounded to the dust collector. You must also confirm that the dust collector is continuously grounded through the electrical circuit to the electric service panel.

If you connect the dust collector to more than one machine by way of a non-conducting branching duct system and blast gates, the system must still be grounded as mentioned above. We recommend inserting a continuous bare copper ground wire inside the entire duct system and attaching the wire to each grounded woodworking machine and dust collector.



Be sure that you extend the bare copper wire down all branches of the system. Do not forget to connect the wires to each other with wire nuts when two branches meet at a “Y” or “T” connection.

Ensure that the entire system is grounded. If using plastic blast gates to direct air flow, the grounding wire must be jumped (see the **Figure** below) around the blast gate without interruption to the grounding system.

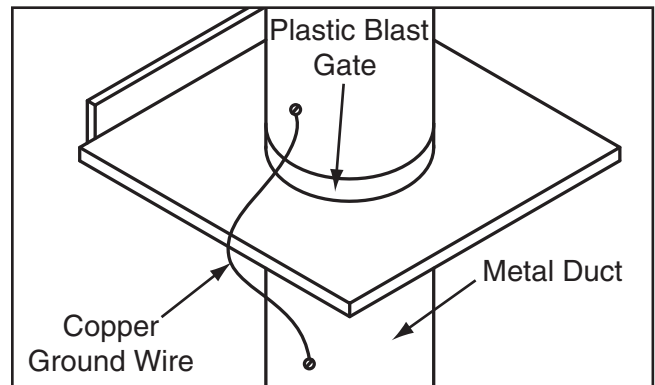


Figure 48. Ground jumper wire when using plastic blast gates and metal duct.

We also recommend wrapping the outside of all plastic ducts with bare copper wire to ground the outside of the system against static electrical build up. Wire connections at Y’s and T’s should be made with wire nuts.

Attach the bare ground wire to each stationary woodworking machine and attach to the dust collector frame with a ground screw as shown in the **Figure** below. Ensure that each machine is continuously grounded to the grounding terminal in your electric service panel.

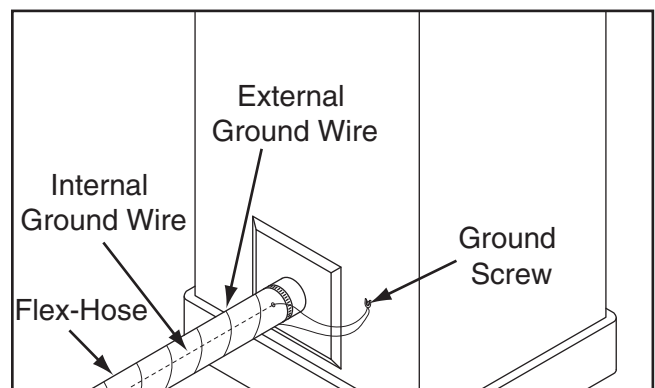
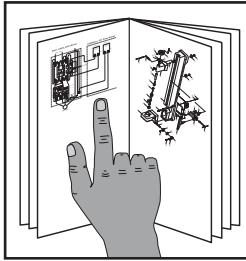


Figure 49. Flex-hose grounded to machine.



SECTION 5: OPERATIONS

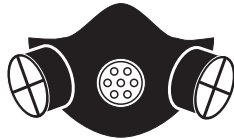


!WARNING

To reduce the risk of serious injury when using this machine, read and understand this entire manual before operating.

!WARNING

Damage to your eyes and lungs could result from using this machine without proper protective gear. Always wear safety glasses and a respirator when operating this machine.



NOTICE

If you have never used this type of machine or equipment before, WE STRONGLY RECOMMEND that you read books, review industry trade magazines, or get formal training before beginning any projects. Regardless of the content in this section, Grizzly Industrial will not be held liable for accidents caused by lack of training.

General Operation

This cyclone dust collector creates a vortex of incoming air that extracts heavy wood chips (see **Figure 50**) and large dust particles, and then drops them into the steel drum below, which is lined with a plastic bag.

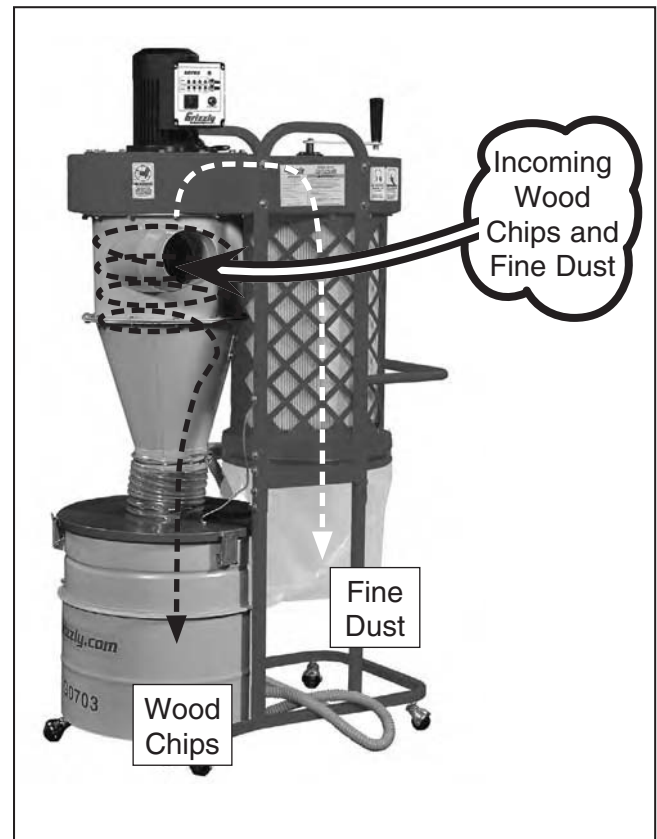


Figure 50. Model G0703 flow.

The remaining fine dust travels past the impeller and is then caught by the filter cartridge and is deposited in the plastic collection bag below. This filter is made of spun-bond polyester, which catches 99.9% of particles from 0.2 to 2 microns in size, and is pleated to provide maximum surface area for efficient airflow.

To maintain CFM during heavy dust collection operations, the cleaning hand crank is manually rotated and the internal filter flaps knock off caked-on dust into the plastic collection bag, which is fitted to the bottom of the filter canister.



Remote Control Operation

A remote control receiver and handheld controller (see **Figure 51**) allow the dust collector to be turned **ON** and **OFF** from across the room up to 75-feet away, providing that direct line-of-sight is maintained.

The Model G0703/G0703P is equipped with a circuit breaker/thermal overload button. If the dust collector experiences an overload, this button pops out and the machine shuts down.

To restart the machine, you must first fix the cause of the overload, press the circuit breaker/thermal overload button, then turn the power switch **OFF**, then **ON** to reset the thermal overload.

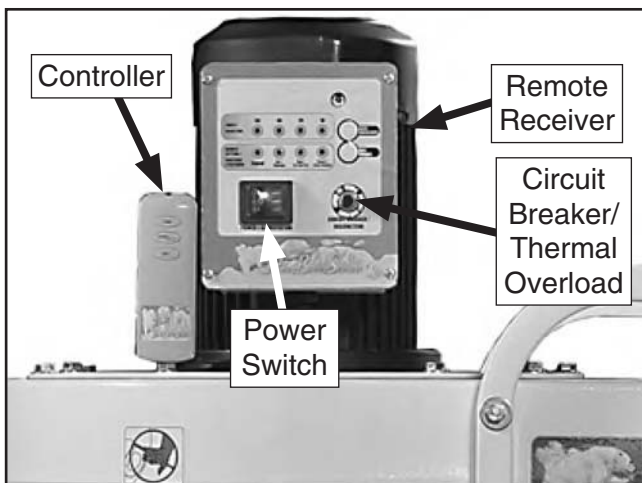


Figure 51. Remote control receiver and handheld features.

To prevent accidental startups by other common RF items like garage door openers, the remote control signal for the Model G0703/G0703P is IR (infrared) rather than a RF (radio frequency) signal. The remote control switch features a factory-set 256-code channel setting, which prevents the simultaneous startup of two G0703P's.

Reprogramming Receiver

This procedure covers how to reprogram the remote receiver to accept a new remote frequency from the handheld controller. Use these instructions if you ever replace the two AA batteries in the handheld controller or if the controller cannot be activated.

To reprogram the remote receiver:

1. Press and hold the SET button on the remote control panel (see **Figure 52** on **Page 35**) until the SIGNAL indicator light starts to flash on the receiver.
2. While the SIGNAL light flashes, press the SET button on the handheld controller to complete the setting.



Operating Remote Receiver

Refer to **Figure 52** and the following descriptions to understand the receiver control functions.

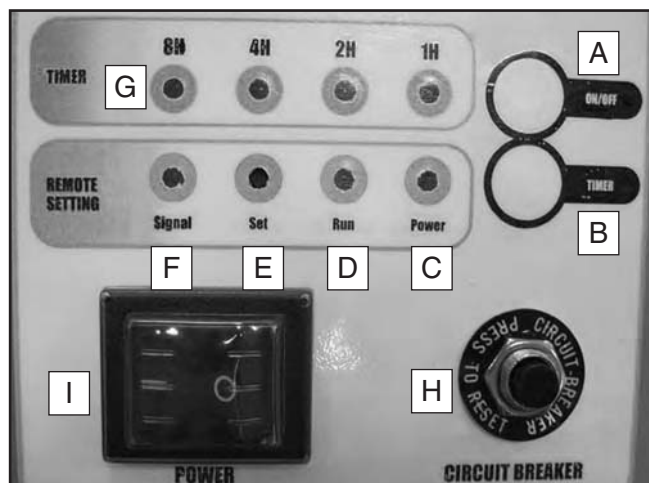
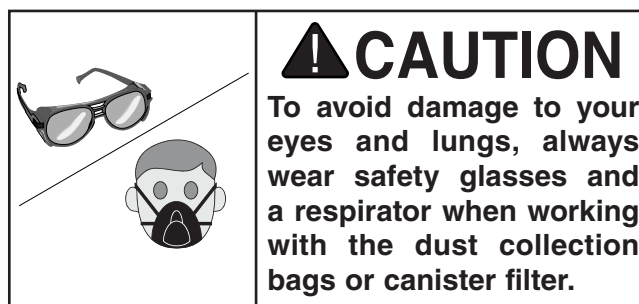


Figure 52. Remote receiver controls.

- A. ON/OFF Button:** Turn the dust collector **ON** or **OFF**.
- B. Timer Button:** Selects a specific auto shut down time.
- C. Power Indicator:** Illuminates when there is power to the machine.
- D. Run Indicator:** Illuminates when the dust collector is **ON**.
- E. Set Button:** Used to reprogram receiver.
- F. Signal Indicator:** Flashes when remote is ready to be reprogrammed.
- G. Timer Intervals:** Illuminate when Timer button is pressed. By pressing the **TIMER** once the dust collector will run for 1 hour; 1H illuminates. Consecutive pushes increase the operation time in 1, 2, 4 or 8 hour intervals—up to 15 hours. The machine will stop once the set time period ends. To cancel the timer before the set time has elapsed, turn the Power Switch **OFF** or press the **START/STOP** button on the handheld controller.
- H. Circuit Breaker/Thermal Overload:** Pops out if machine overloads.
- I. Power Switch:** Turns machine power **ON** or **OFF**.

Replacing Canister Filter

For a more thorough cleaning every few months (under heavy use), remove the filter from the dust collector and rinse it with warm water. Allow the filter to air dry only. Do not leave the filter in the sun to dry or apply heat or compressed air to speed the process; heat exposure can damage your filter.



Tool NeededWrench or Socket 12mm

To replace the canister filter:

1. **DISCONNECT MACHINE FROM POWER!**
2. Remove the bag clamp and collection bag from the canister assembly.
3. Remove the hex bolt and flat washer from canister filter assembly cross support shown in **Figure 53**.

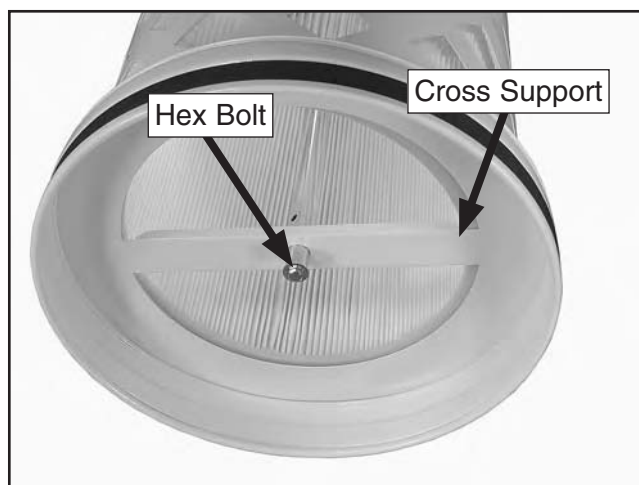


Figure 53. Filter assembly cross support.



4. Remove the twelve hex nuts from the blower housing base, as shown in **Figure 54**.

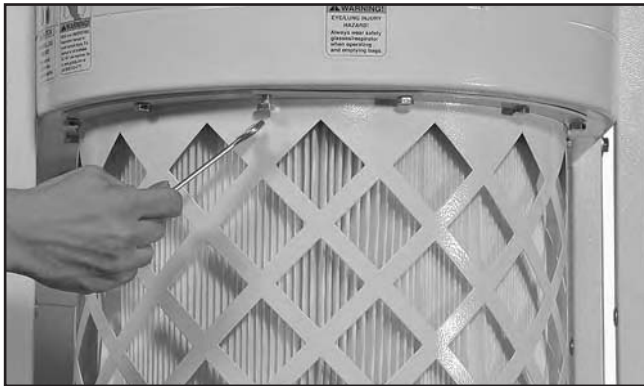


Figure 54. Removing hex bolts from canister assembly.

5. Remove the canister assembly from the blower housing.

6. Carefully lift the filter out of the canister assembly, as shown in **Figure 55**.



Figure 55. Removing filter.

7. Insert a clean/new filter into the canister assembly, then re-install the canister to the blower housing base and cross support by repeating the previous steps in reverse.
8. Secure a fresh collection bag with the bag clamp.



SECTION 6: ACCESSORIES

⚠️ WARNING

Some aftermarket accessories can be installed on this machine that could cause it to function improperly, increasing the risk of serious personal injury. To minimize this risk, only install accessories recommended for this machine by Grizzly.

NOTICE

Refer to the newest copy of the Grizzly Catalog for other accessories available for this machine.

Call 1-800-523-4777 To Order

P0703P088—Circuit Board 220V 256 Code

Both the G0703 and the G0703P easily convert for 220V operation. For both, installing a new circuit board is all that is required. Make the appropriate change for your machine, rewire the motor, and get back to work. It's as simple as that!

G9956—Remote Controlled Double Air Filter

G0572—Hanging Air Filter with Remote

These Hanging Air Filters have convenient remote controls and feature a three speed motor, automatic shutoff timer and hang easily from the workshop ceiling!



Figure 56. G0572 Dust Filter.

G6163—4" Clamp

G7343—5" Clamp

G7361—6" Clamp

These clamps feature lever latches and foam seals, and secure around the rolled ends of fittings and pipe.



Figure 57. Dust collection pipe clamps.

H2443—Universal Adapter

This seven step adapter provides a multitude of dust collection reducing options. Simply cut away unneeded steps with a hacksaw. Outside diameter step sizes include 1", 2", 2.5", 3", 4", 5", and 6". Wall thickness is 1/8".

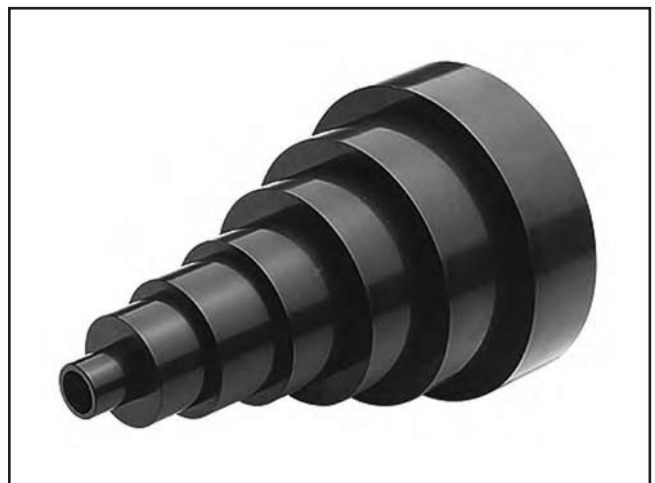


Figure 58. H2443 Universal Adapter.

- T23415—Clear Flexible Hose 4" x 10'
- T23425—Black Flexible Hose 4" x 10'
- G3179—Heavy-Duty Clear Flex Hose 4" x 10'
- G8830—Hose Hanger 4½"
- G1552—Y-Fitting 4" x 4" x 4"
- G1545—90° Elbow 4"
- G2482—Hose Coupler (Splice) 4"
- G2974—Wire Hose Clamp 4"
- G1843—Plastic Blast Gate 4"
- G4679—Anti-Static Grounding Kit

We've hand picked a selection of commonly used dust collection components for machines with 4" dust ports.



Figure 59. Dust collection accessories.

- T10115—Benchtop Downdraft Table
- G3119—4" x 2½" Adapter

Want to stop making such a mess when sanding? This benchtop downdraft table is the perfect solution. Just connect the 2½" dust port in the back to a dust collector or Shop•Vac, and the suction will pull all dust and chips down into the table, keeping your work area tidy and clean.



Figure 60. T10115 Benchtop Downdraft Table

- G2752—4" Rolling Floor Sweep
- G2753—4" Bench Attachment
- G2754—4" Floor Attachment

These attachments are indispensable for collecting dust at machines without a port. The rolling floor sweep is also a convenient way to keep the shop floor or workbench top clean! Designed for use with 4" flexible hose (not included).



Figure 61. Dust collection attachments.

- T10117—Big Mouth Dust Hood with Stand

Capture dust from any machine operation with this Big Mouth Dust Hood. Simply attach a 4" dust collection hose and adjust the hood right where you need it. The free standing base eliminates complicated machine set-ups and the tilting 16⅜" x 12⅞" hood adjusts from 23" to 43" high. Every shop needs one of these!

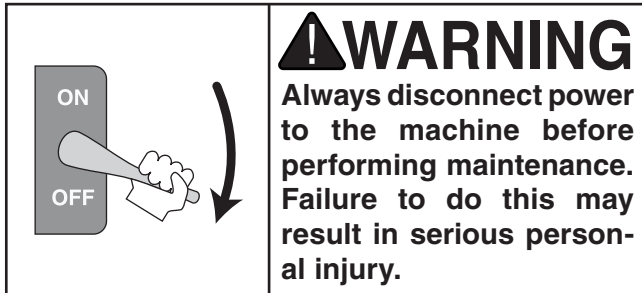


Figure 62. T10117 Big Mouth Dust Hood.

Call 1-800-523-4777 To Order



SECTION 7: MAINTENANCE



Schedule

For optimum performance from your machine, follow this maintenance schedule and refer to any specific instructions given in this section.

Daily Check:

- Dust collector is completely powered down at the end of use.
- Dust collection drum or bag leaks.
- Loose mounting bolts.
- Suction leaks.
- Worn or damaged wires.
- Any other condition that would hamper the safe and efficient operation of this machine.

Emptying Drum

Empty the collection drum when it is approximately $\frac{3}{4}$ full. If the drum becomes overfilled, the dust will be sucked into the intake barrel and passed through to the canister filter.

How quickly the drum will fill up is based on the type of work being done at the time:

- Fine dust from a sander or table saw will slowly fill the drums.
- Curly shavings from a planer or jointer will quickly fill the drums.

When first using the dust collector, check the drum regularly to get an idea of how often it needs to be emptied.

Cleaning Filter

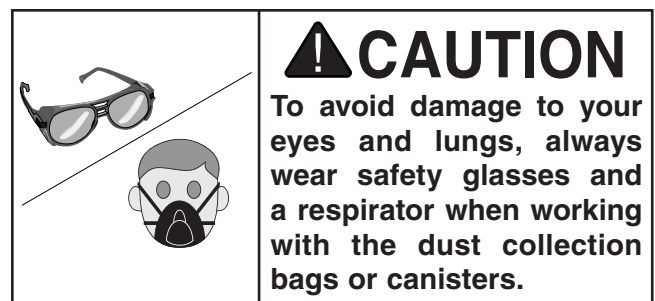
The Model G0703/G0703P dust collector has a crank handle (see **Figure 63**) driven filter flap system for removing any built-up dust from the filter pleats.



Figure 63. Brush handles for cleaning canister filters.

To clean the filter, rotate the filter handle a few turns in one direction. The caked-on dust will fall into the plastic bag below.

For a more thorough cleaning every few months under heavy use, remove the filter from the dust collector and rinse it with warm water. Allow the filters to air dry only. Do not leave the filters in the sun to dry or apply heat to speed the process; heat exposure can damage your filters.

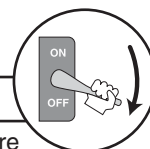


SECTION 8: SERVICE

Review the troubleshooting and procedures in this section to fix or adjust your machine if a problem develops. If you need replacement parts or you are unsure of your repair skills, then feel free to call our Technical Support at (570) 546-9663.

Troubleshooting

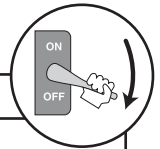
Motor & Electrical



Symptom	Possible Cause	Possible Solution
Machine does not start or a breaker trips.	<ol style="list-style-type: none"> 1. Power supply switched OFF or is at fault. 2. Wall fuse/circuit breaker is blown/tripped. 3. Handheld remote controller is at fault. 4. Remote receiver is at fault. 5. Motor connection wired incorrectly. 6. Machine circuit breaker has tripped. 7. Wiring is open/has high resistance. 8. Power switch is at fault. 9. Circuit board is at fault. 10. Motor is at fault. 	<ol style="list-style-type: none"> 1. Ensure power supply is switched ON; ensure power supply has the correct voltage. 2. Ensure circuit size is suitable for this machine; install inlet restrictor, replace weak breaker. 3. Replace batteries in handheld remote controller; stay in line-of-sight view and signal range. Reprogram remote receiver. 4. Inspect receiver circuit board; replace if faulty. 5. Correct motor wiring connections. 6. Let motor cool, improve ventilation, press thermal overload button to reset. 7. Check for broken wires or disconnected/corroded connections, and repair/replace as necessary. 8. Replace faulty switch. 9. Replace circuit board. 10. Test/repair/replace.
Machine has vibration or noisy operation.	<ol style="list-style-type: none"> 1. Motor or component is loose. 2. Motor mount loose/broken. 3. Motor fan is rubbing on fan cover. 4. Motor bearings are at fault. 	<ol style="list-style-type: none"> 1. Inspect/replace stripped or damaged bolts/nuts, and re-tighten with thread locking fluid. 2. Tighten/replace. 3. Replace dented fan cover; replace loose/damaged fan. 4. Test by rotating shaft; rotational grinding/loose shaft requires bearing replacement.



Dust Collector Operation



Symptom	Possible Cause	Possible Solution
Loud, repetitious noise, or excessive vibration coming from dust collector.	<ol style="list-style-type: none"> 1. Dust collector is not on a flat surface and wobbles. 2. Impeller is damaged and unbalanced. 3. The motor mounting or housing connections are loose. 4. Impeller is loose on the motor shaft. 5. Motor fan cover is dented, causing the motor fan to hit the cover while spinning. 	<ol style="list-style-type: none"> 1. Stabilize the dust collector. 2. Disconnect dust collector from power, and inspect the impeller for dents, bends, loose fins. Replace impeller if any damage is found. 3. Make sure all fasteners on the dust collector are tight. 4. Replace the motor and impeller as a set if the motor shaft and the impeller hub are damaged. 5. Replace motor fan cover.
Dust collector does not adequately collect dust or chips; poor performance.	<ol style="list-style-type: none"> 1. Dust collection bag is full. 2. Filter is dirty. 3. There is a restriction in the duct line. 4. The dust collector is too far away from the point of suction, or there are too many sharp bends in the ducting. 5. The lumber is wet and dust is not flowing through the ducting smoothly. 6. There is a leak in the ducting, or a series of small leaks, or too many open ports. 7. There are not enough open branch lines at one time, thereby causing a velocity drop in the main line. 8. The ducting and ports are incorrectly sized. 9. The machine dust collection design is inadequate. 10. The dust collector is too small for the dust collection system. 	<ol style="list-style-type: none"> 1. Empty collection bag. 2. Clean filter. 3. Remove dust line from dust collector inlet and unblock the restriction in the duct line. A plumbing snake may be necessary. 4. Relocate the dust collector closer to the point of suction, and rework ducting without sharp bends. 5. Process lumber with less than 20% moisture content. 6. Rework the ducting to eliminate all leaks. Close dust ports for lines not being used. 7. Open 1 or 2 more blast gates to different branch lines to allow the velocity in the main line to increase. 8. Reinstall correctly sized ducts and fittings. 9. Use a dust collection nozzle on a stand. 10. Install a larger dust collector to power your dust collection system.
Sawdust being blown into the air from the dust collector.	<ol style="list-style-type: none"> 1. Duct clamps or dust collection bag is not properly clamped and secured. 2. Cylinder or funnel seals are loose or damaged. 	<ol style="list-style-type: none"> 1. Re-secure ducts and dust collection bag, making sure duct and bag clamp are tight. 2. Retighten all mounting and sealing points, replace damaged gaskets.



SECTION 9: WIRING

These pages are current at the time of printing. However, in the spirit of improvement, we may make changes to the electrical systems of future machines. Compare the manufacture date of your machine to the one stated in this manual, and study this section carefully.

If there are differences between your machine and what is shown in this section, call Technical Support at (570) 546-9663 for assistance BEFORE making any changes to the wiring on your machine. An updated wiring diagram may be available. **Note:** Please gather the serial number and manufacture date of your machine before calling. This information can be found on the main machine label.

WARNING

Wiring Safety Instructions

SHOCK HAZARD. Working on wiring that is connected to a power source is extremely dangerous. Touching electrified parts will result in personal injury including but not limited to severe burns, electrocution, or death. Disconnect the power from the machine before servicing electrical components!

MODIFICATIONS. Modifying the wiring beyond what is shown in the diagram may lead to unpredictable results, including serious injury or fire. This includes the installation of unapproved after-market parts.

WIRE CONNECTIONS. All connections must be tight to prevent wires from loosening during machine operation. Double-check all wires disconnected or connected during any wiring task to ensure tight connections.

CIRCUIT REQUIREMENTS. You MUST follow the requirements at the beginning of this manual when connecting your machine to a power source.

WIRE/COMPONENT DAMAGE. Damaged wires or components increase the risk of serious personal injury, fire, or machine damage. If you notice that any wires or components are damaged while performing a wiring task, replace those wires or components.

MOTOR WIRING. The motor wiring shown in these diagrams is current at the time of printing but may not match your machine. If you find this to be the case, use the wiring diagram inside the motor junction box.





CAPACITORS/INVERTERS. Some capacitors and power inverters store an electrical charge for up to 10 minutes after being disconnected from the power source. To reduce the risk of being shocked, wait at least this long before working on capacitors.

EXPERIENCING DIFFICULTIES. If you are experiencing difficulties understanding the information included in this section, contact our Technical Support at (570) 546-9663.

NOTICE

The photos and diagrams included in this section are best viewed in color. You can view these pages in color at www.grizzly.com.

COLOR KEY

BLACK		BLUE		YELLOW		LIGHT BLUE	
WHITE		BROWN		YELLOW GREEN		BLUE WHITE	
GREEN		GRAY		PURPLE		TURQUOISE	
RED		ORANGE		PINK			



Electrical Component Locations

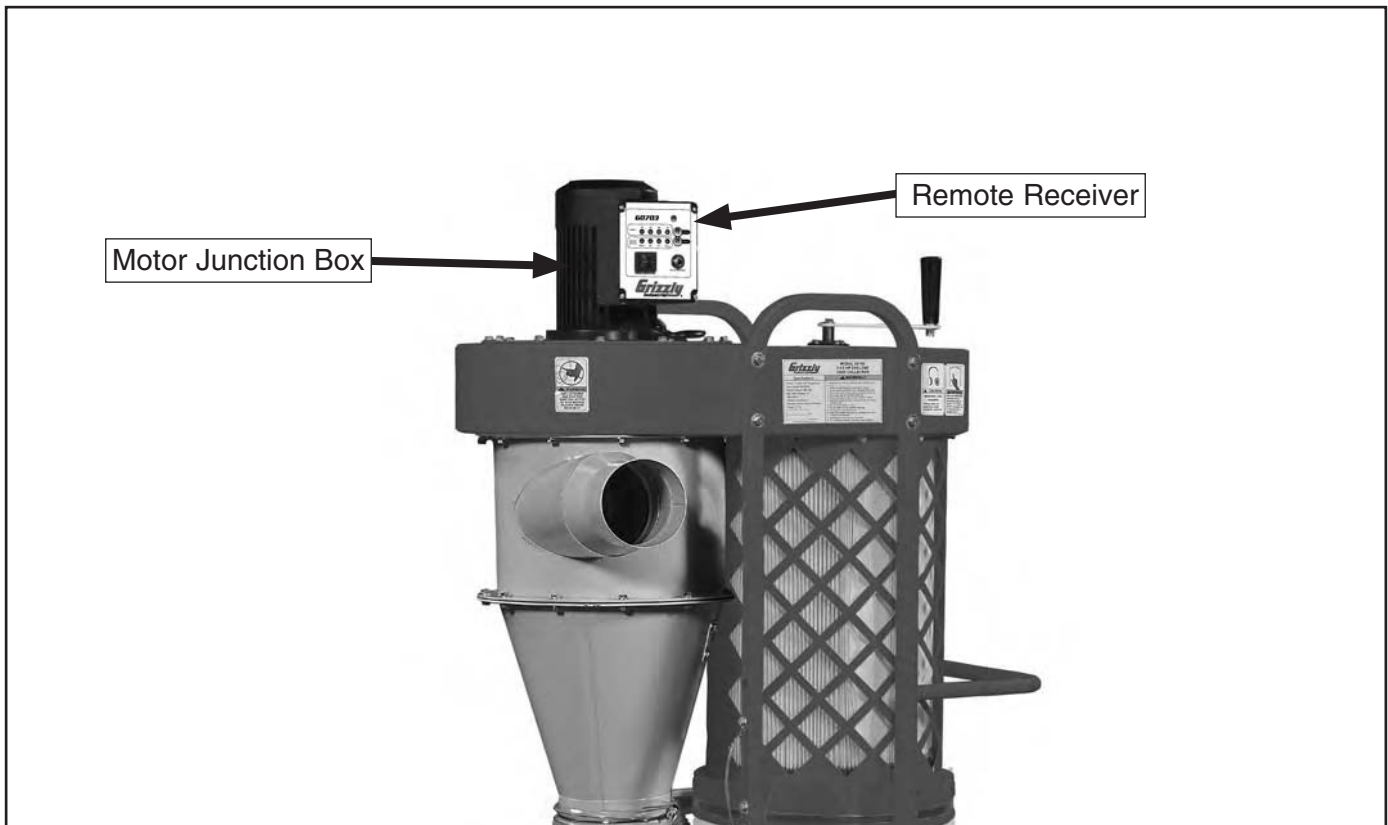


Figure 64. G0703/G0703P electrical component locations.

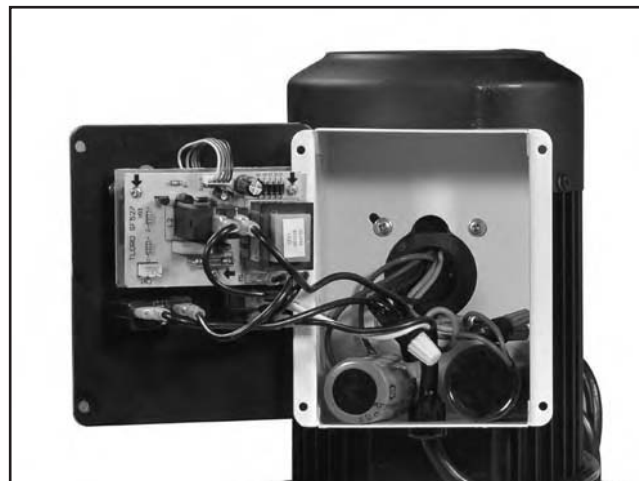
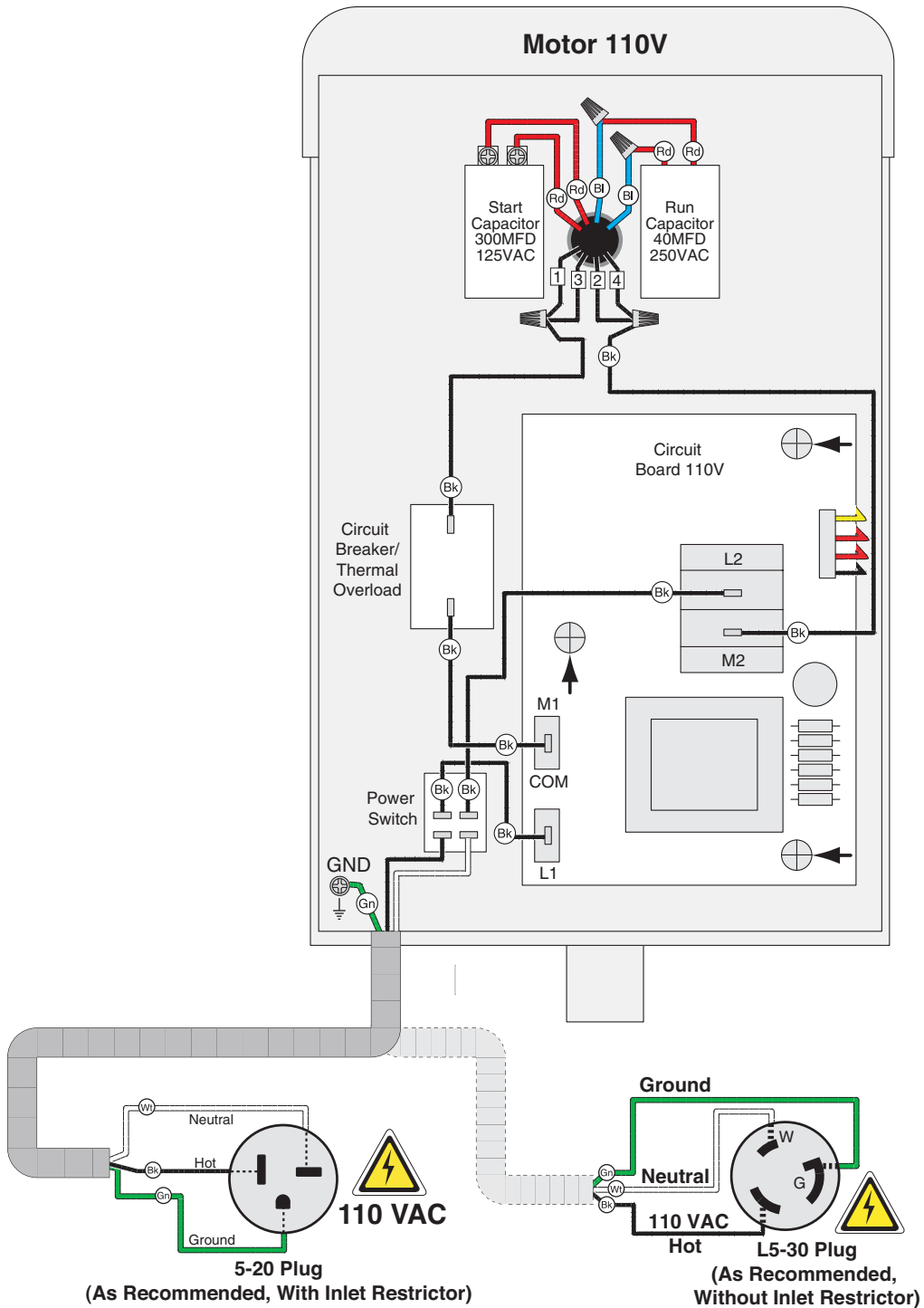


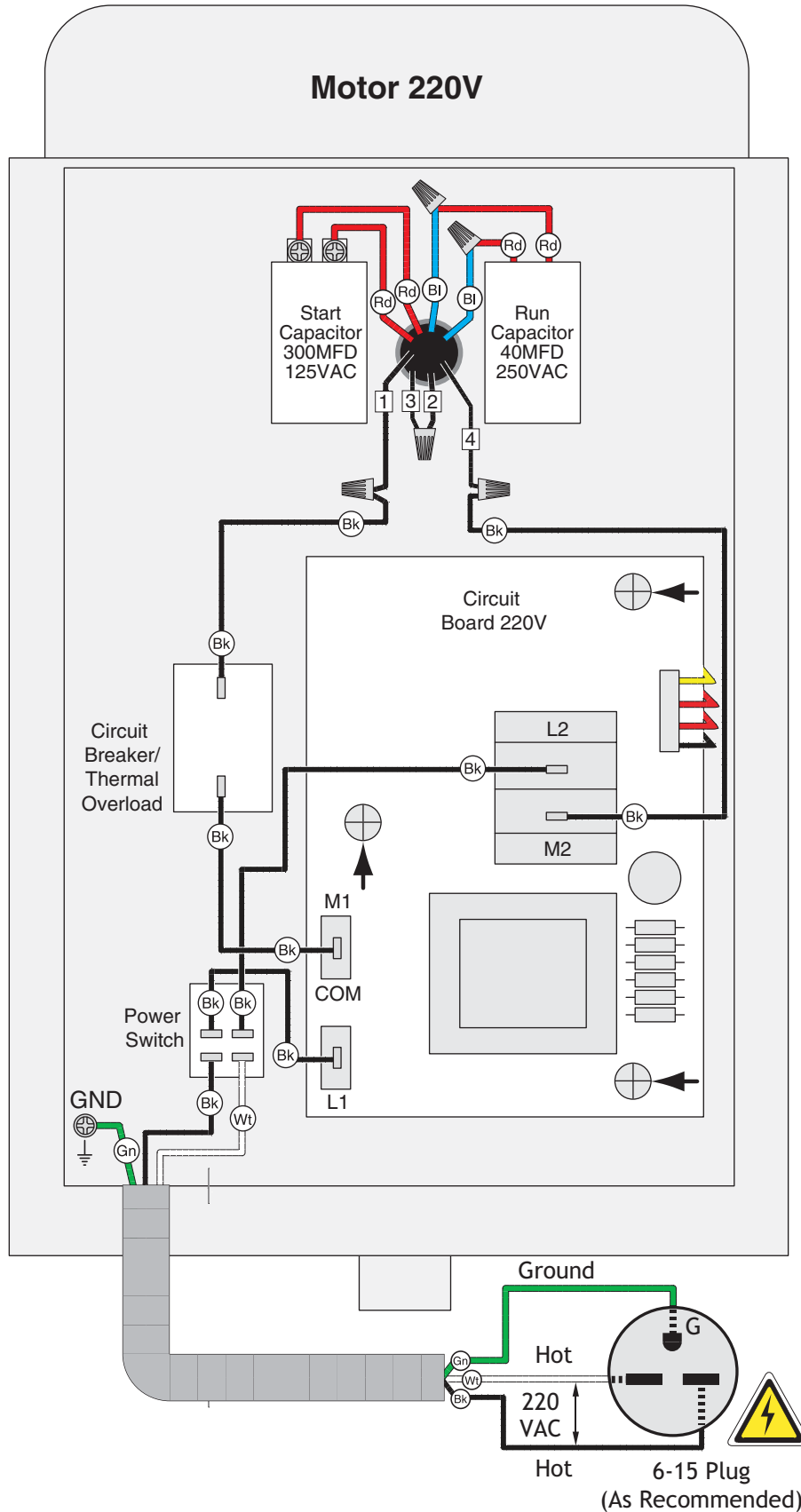
Figure 65. G0703/G0703P remote receiver circuit and components.



G0703/G0703P 110V Wiring Diagram

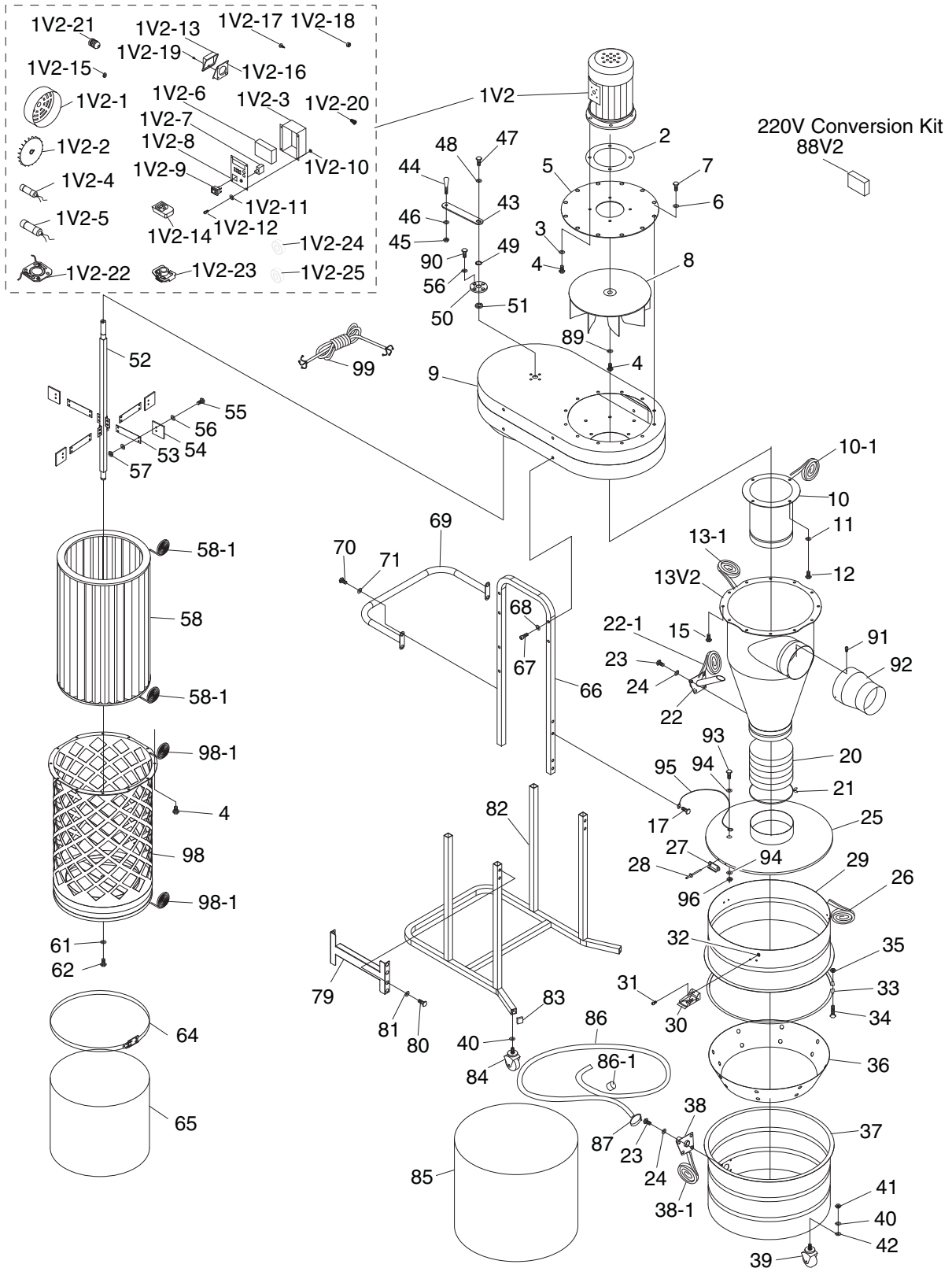


G0703/G0703P 220V Wiring Diagram



SECTION 10: PARTS

G0703 Breakdown



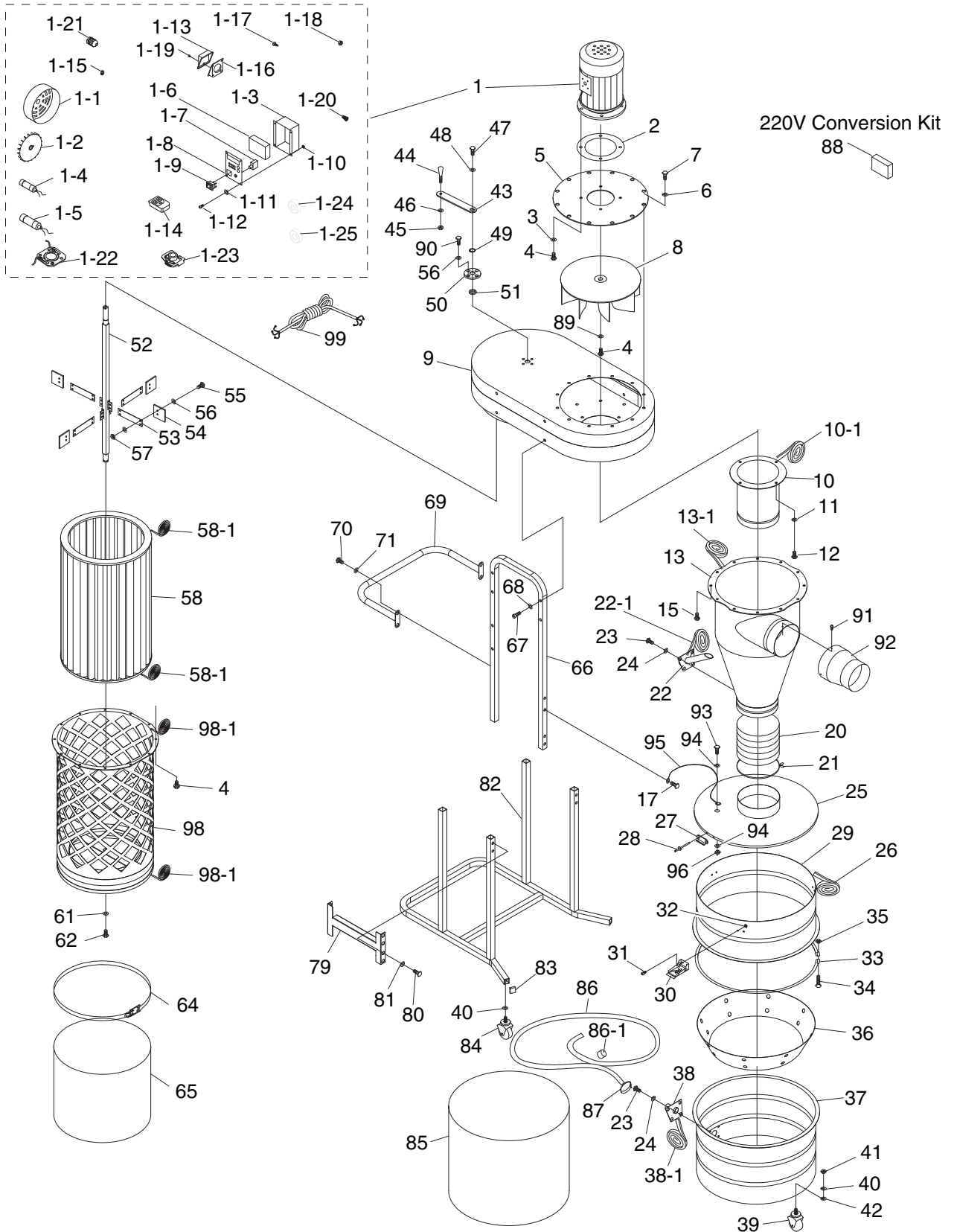
G0703 Parts List

REF	PART #	DESCRIPTION
1V2	P0703001V2	MOTOR 1-1/2 HP 110/220V 1PH V2.01.12
1V2-1	P0703001V2-1	MOTOR FAN COVER
1V2-2	P0703001V2-2	MOTOR FAN
1V2-3	P0703001V2-3	REMOTE RECEIVER BOX
1V2-4	P0703001V2-4	S CAP 300M 125V 1-1/2 X 3-1/8
1V2-5	PC040F	R CAP 40M 250V 1-3/8 X 2-3/8
1V2-6	P0703001V2-6	CIRCUIT BOARD 110V 256 CODE
1V2-7	P0703001V2-7	OVERLOAD TRANKEY 25A
1V2-8	P0703001V2-8	REMOTE CONTROL PANEL
1V2-9	P0703001V2-9	POWER SWITCH
1V2-10	PN07	HEX NUT 10-24
1V2-11	PW03	FLAT WASHER #10
1V2-12	PS06	PHLP HD SCR 10-24 X 3/8
1V2-13	P0703001V2-13	JUNCTION BOX COVER
1V2-14	P0703001V2-14	REMOTE CONTROLLER 256 CODE
1V2-15	PLW01M	LOCK WASHER 5MM
1V2-16	P0703001V2-16	JUNCTION BOX
1V2-17	P0703001V2-17	PHLP HD SCR M5-.8 X 15 COPPER
1V2-18	P0703001V2-18	HEX NUT M5-.8 COPPER
1V2-19	PS06	PHLP HD SCR 10-24 X 3/8
1V2-20	P0703001V2-20	TERMINAL NUT SW-74BH
1V2-21	P0703001V2-21	STRAIN RELIEF MG-20
1V2-22	P0703001V2-22	CONTACT PLATE
1V2-23	P0703001V2-23	CENTRIFUGAL SWITCH 3450
1V2-24	P0703001V2-24	FRONT MOTOR BEARING
1V2-25	P0703001V2-25	REAR MOTOR BEARING
2	P0703002	MOTOR GASKET
3	PTLW02	EXT TOOTH WASHER 5/16
4	PB07	HEX BOLT 5/16-18 X 3/4
5	P0703005	MOTOR MOUNTING PLATE
6	PW07	FLAT WASHER 5/16
7V2	PB32	HEX BOLT 5/16-18 X 5/8
8	P0703008	IMPELLER 13-1/2"
9	P0703009	BLOWER HOUSING
10	P0703010	INTAKE CYLINDER 7"
10-1	P0703010-1	INTAKE CYLINDER SEAL
12	PB09	HEX BOLT 5/16-18 X 1/2
13V2	P0703013V2	INTAKE BARREL 9-13/16" X 16-1/2"
13-1	P0703013-1	INTAKE BARREL SEAL
20	P0703020	DUST HOSE CLEAR 7" X 7"
21	P0440026	HOSE CLAMP 7"
22	P0703022	FUNNEL SUCTION PIPE
22-1	P0703022-1	FUNNEL SUCTION PIPE SEAL
23V2	PB09	HEX BOLT 5/16-18 X 1/2
24	PW07	FLAT WASHER 5/16
25V2	P0703025V2	COLLECTION DRUM LID 7" V2.3.11
26	P0703026	COLLECTION DRUM SEAL
27	P0703027	LATCH HOOK
28	P0703028	RIVET
29	P0703029	UPPER COLLECTION DRUM
30	P0440053	DRUM LID LATCH
31	PS06	PHLP HD SCR 10-24 X 3/8
32	PN07	HEX NUT 10-24
33	P0703033	DRUM CLAMP
34	PB04	HEX BOLT 5/16-18 X 3

REF	PART #	DESCRIPTION
35	PN02	HEX NUT 5/16-18
36	P0703036	VACUUM SUCTION PLATE
37	P0703037	LOWER COLLECTION DRUM
38	P0703038	DRUM SUCTION PIPE
38-1	P0703038-1	DRUM SUCTION PIPE SEAL
39	P0440056	CASTER 2"
40	PLW04	LOCK WASHER 3/8
41	PN08	HEX NUT 3/8-16
42	PW02	FLAT WASHER 3/8
43	P0703043	PADDLE CRANK
44	P0703044	ROTATION HANDLE
45	PLN01	LOCK NUT 3/8-16
46	PW02	FLAT WASHER 3/8
47	PB07	HEX BOLT 5/16-18 X 3/4
49	PR09M	EXT RETAINING RING 20MM
51	P0703051	SEAL
52	P0703052	PADDLE SHAFT
53	P0703053	PADDLE BRACKET
54	P0703054	PADDLE
55	PB02	HEX BOLT 1/4-20 X 5/8
56	PW06	FLAT WASHER 1/4
57	PLN02	LOCK NUT 1/4-20
58V2	P0703058V2	CAN. FILTER 386 X 534MM V2.3.11
58V2-1	P0703058V2-1	CANISTER FILTER SEAL V2.3.11
62	PB07	HEX BOLT 5/16-18 X 3/4
64V2	P0703064V2	BAG CLAMP 390MM V2.3.11
65	P0703065	PLASTIC BAG 400 X 600MM
66	P0703066	UPPER FRAME
67	PCAP30	CAP SCREW 5/16-18 X 1/2
68	PW07	FLAT WASHER 5/16
69	P0703069	FRAME HANDLE
70	PB07	HEX BOLT 5/16-18 X 3/4
71	PW07	FLAT WASHER 5/16
79	P0703079	FRAME BRACE
80	PB07	HEX BOLT 5/16-18 X 3/4
81	PW07	FLAT WASHER 5/16
82	P0703082	LOWER FRAME
83	P0703083	FRAME END CAP
84	P0440056	CASTER 2"
85	P0703085	PLASTIC BAG 510 X 1070MM
86	P0703086	DUST HOSE GREY 1" X 6-1/2'
86-1	P0703086-1	PLASTIC HOSE PLUG 1"
87	P0703087	HOSE CLAMP 1"
88V2	P0703P088	CIR. BOARD 220V 256 CODE V2.01.12
89	P0443014	IMPELLER FENDER WASHER 5/16
90	PB31	HEX BOLT 1/4-20 X 1
91	PHTEK39M	TAP SCREW M4 X 12
92	P0703092	INLET RESTRICTOR 5" X 6"
93	P0703093	COPPER PHLP HD SCR M5-.8 X 12
94	PTLW02M	EXT TOOTH WASHER 5MM
95	P0703095	GROUND WIRE
96	P0703096	COPPER HEX NUT M5-.8
98	P0703098	CANISTER FILTER CAGE
98-1	P0703098-1	CANISTER FILTER CAGE SEAL
99	P0703099	POWER CORD 12G 3W 36"



G0703P Breakdown



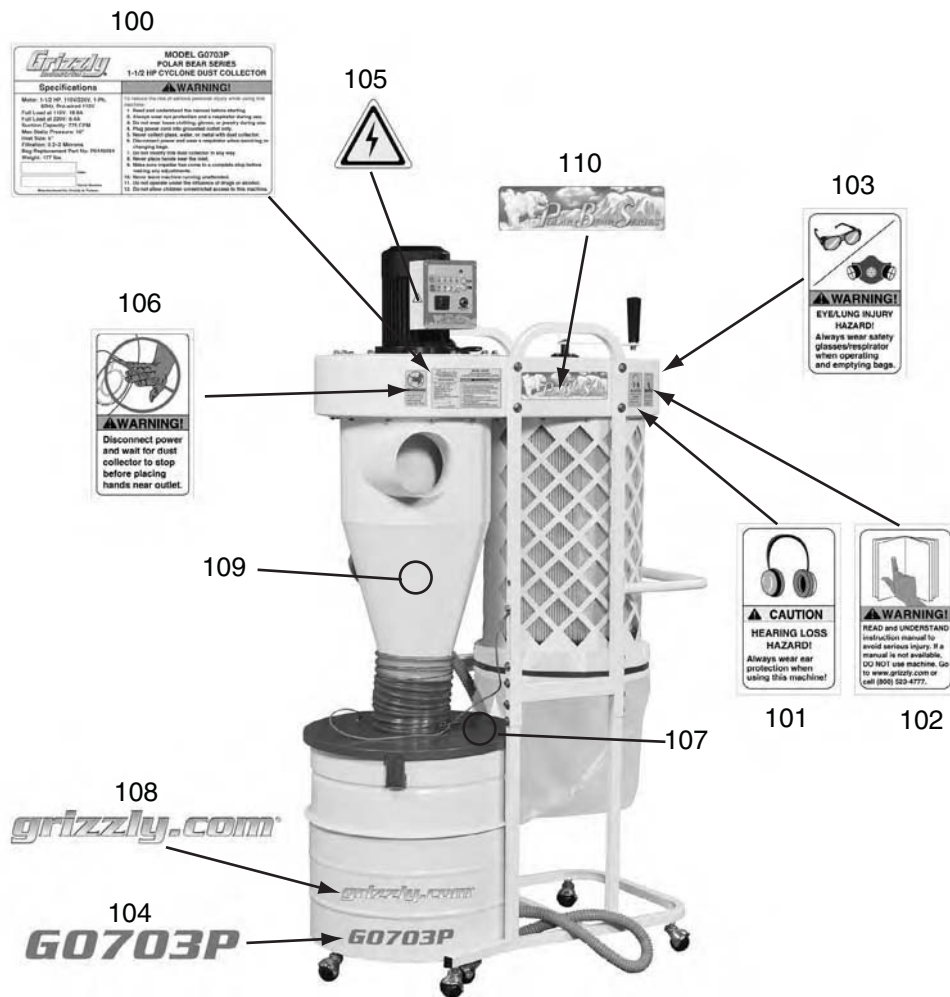
G0703P Parts List

REF	PART #	DESCRIPTION
1	P0703P001	MOTOR 1-1/2 HP 110/220V 1PH V1
1-1	P0703P001-1	MOTOR FAN COVER
1-2	P0703P001-2	MOTOR FAN
1-3	P0703P001-3	REMOTE RECEIVER BOX
1-4	P0703P001-4	S CAPACITOR 300M 125V 1-1/2 X 3-1/8
1-5	PC040F	R CAPACITOR 40M 250V 1-3/8 X 2-3/8
1-6	P0703P001-6	CIRCUIT BOARD 110V 256 CODE
1-7	P0703P001-7	THERMAL OVERLOAD TRANKEY 25A
1-8	P0703P001-8	REMOTE CONTROL PANEL
1-9	P0703P001-9	POWER SWITCH V1
1-10	PN07	HEX NUT 10-24
1-11	PW03	FLAT WASHER #10
1-12	PS06	PHLP HD SCR 10-24 X 3/8
1-13	P0703P001-13	POWER CORD 12AWG 3C 10FT
1-14	P0703P001-14	REMOTE CONTROLLER 256 CODE
1-15	P0703P001-15	LOCK WASHER 5MM
1-17	P0703P001-17	PHLP HD SCR M5-.8 X 15 COPPER
1-18	P0703P001-18	HEX NUT M5-.8 COPPER
1-19	P0703P001-19	PHLP HD SCR 10-24 X 3/8
1-20	P0703P001-20	TERMINAL NUT SW-74BH
1-21	P0703P001-21	STRAIN RELIEF MG-20
1-22	P0703P001-22	CONTACT PLATE
1-23	P0703P001-23	CENTRIFUGAL SWITCH 3450
1-24	P0703P001-24	FRONT MOTOR BEARING
1-25	P0703P001-25	REAR MOTOR BEARING
2	P0703002	MOTOR GASKET
3	PW07	FLAT WASHER 5/16
4	PB32	HEX BOLT 5/16-18 X 5/8
5	P0703P005	MOTOR MOUNTING PLATE
6	PW07	FLAT WASHER 5/16
7	PB32	HEX BOLT 5/16-18 X 5/8
8	P0703008	IMPELLER 13-1/2"
9	P0703P009	BLOWER HOUSING
10	P0703010	INTAKE CYLINDER 7"
10-1	P0703010-1	INTAKE CYLINDER SEAL
11	PW07	FLAT WASHER 5/16
12	PB09	HEX BOLT 5/16-18 X 1/2
13	P0703P013	CYCLONE FUNNEL ASSEMBLY
13-1	P0703013-1	CYCLONE FUNNEL SEAL
15	PB32	HEX BOLT 5/16-18 X 5/8
17	PB07	HEX BOLT 5/16-18 X 3/4
20	P0703020	DUST HOSE CLEAR 7" X 7"
21	P0440026	HOSE CLAMP 7"
22	P0703022	FUNNEL SUCTION PIPE
22-1	P0703022-1	FUNNEL SUCTION PIPE SEAL
23	PB09	HEX BOLT 5/16-18 X 1/2
24	PLW01	LOCK WASHER 5/16
25	P0703P025	COLLECTION DRUM LID 9"
26	P0703026	COLLECTION DRUM SEAL
27	P0703027	LATCH HOOK
28	P0703028	RIVET
29	P0703P029	UPPER COLLECTION DRUM
30	P0440053	DRUM LID LATCH
31	PS06	PHLP HD SCR 10-24 X 3/8
32	PN07	HEX NUT 10-24
33	P0703033	DRUM CLAMP
34	PB04	HEX BOLT 5/16-18 X 3
35	PN02	HEX NUT 5/16-18

REF	PART #	DESCRIPTION
36	P0703036	VACUUM SUCTION PLATE
37	P0703P037	LOWER COLLECTION DRUM
38	P0703038	DRUM SUCTION PIPE
38-1	P0703038-1	DRUM SUCTION PIPE SEAL
39	P0440056	CASTER 2"
40	PLW04	LOCK WASHER 3/8
41	PN08	HEX NUT 3/8-16
42	PW02	FLAT WASHER 3/8
43	P0703P043	PADDLE CRANK
44	P0703044	ROTATION HANDLE
45	PLN01	LOCK NUT 3/8-16
46	PW02	FLAT WASHER 3/8
47	PB07	HEX BOLT 5/16-18 X 3/4
48	PW07	FLAT WASHER 5/16
49	PR09M	EXT RETAINING RING 20MM
50	P0703050	PADDLE SHAFT CAP
51	P0703051	SEAL
52	P0703052	PADDLE SHAFT
53	P0703053	PADDLE BRACKET
54	P0703054	PADDLE
55	PB02	HEX BOLT 1/4-20 X 5/8
56	PW06	FLAT WASHER 1/4
57	PLN02	LOCK NUT 1/4-20
58	P0703P058	CANISTER FILTER 386 X 534MM
58-1	P0703P058-1	CANISTER FILTER SEAL
61	PW07	FLAT WASHER 5/16
62	PB07	HEX BOLT 5/16-18 X 3/4
64	P0440033	BAG CLAMP 400MM
65	P0440034V2	PLASTIC BAG 470 X 600MM
66	P0703P066	UPPER FRAME
67	PCAP30	CAP SCREW 5/16-18 X 1/2
68	PW07	FLAT WASHER 5/16
69	P0703P069	FRAME HANDLE
70	PB07	HEX BOLT 5/16-18 X 3/4
71	PW07	FLAT WASHER 5/16
79	P0703P079	FRAME BRACE
80	PB07	HEX BOLT 5/16-18 X 3/4
81	PW07	FLAT WASHER 5/16
82	P0703P082	LOWER FRAME
83	P0703083	FRAME END CAP
84	P0440056	CASTER 2"
85	P0703085	PLASTIC BAG 510 X 1070MM
86	P0703086	DUST HOSE GREY 1" X 6-1/2'
86-1	P0703086-1	1" PLASTIC HOSE PLUG
87	P0703087	HOSE CLAMP 1"
88	P0703P088	CIRCUIT BOARD 220V 256 CODE
89	P0443014	MOTOR FENDER WASHER 5/16
90	PB31	HEX BOLT 1/4-20 X 1
91	PHTEK39M	TAP SCREW M4 X 12
92	P0703092	INLET RESTRICTOR 5" X 6"
93	P0703093	COPPER PHLP HD SCR M5-.8 X 12
94	PLW01M	LOCK WASHER 5MM
95	P0703095	GROUND WIRE
96	P0703096	COPPER HEX NUT M5-.8
98	P0703P098	CANISTER FILTER CAGE
98-1	P0703P098-1	CANISTER FILTER CAGE SEAL
99	P0703099	POWER CORD 12G 3W 36"



G0703/G0703P Labels



REF	PART #	DESCRIPTION
100	P0703100	MACHINE ID LABEL (G0703)
100	P0703P100	MACHINE ID LABEL (G0703P)
101	PLABEL-15A	HEARING HAZARD LABEL
102	PLABEL-12A	READ MANUAL LABEL
103	PLABEL-82	GLASSES/RESPIRATOR DC LABEL
104	P0703104	MODEL NUMBER LABEL (G0703)
104	P0703P104	MODEL NUMBER LABEL (G0703P)
105	PLABEL14	ELECTRICITY LABEL

REF	PART #	DESCRIPTION
106	PLABEL59	INLET HAZARD LABEL
107	PPAINT-1	GRIZZLY GREEN TOUCH-UP PAINT
108	P0703108	GRIZZLY.COM LABEL RED
108	P0703P108	GRIZZLY.COM LABEL YELLOW
109	PPAINT-10	LIGHT GREY REF
109	PPAINT-24	WHITE TOUCH-UP PAINT
110	P0703P110	POLAR BEAR LOGO

WARNING

Safety labels help reduce the risk of serious injury caused by machine hazards. If any label comes off or becomes unreadable, the owner of this machine **MUST** replace it in the original location before resuming operations. For replacements, contact (800) 523-4777 or www.grizzly.com.





WARRANTY CARD

Name _____
 Street _____
 City _____ State _____ Zip _____
 Phone # _____ Email _____ Invoice # _____
 Model # _____ Order # _____ Serial # _____

The following information is given on a voluntary basis. It will be used for marketing purposes to help us develop better products and services. **Of course, all information is strictly confidential.**

- How did you learn about us?

<input type="checkbox"/> Advertisement	<input type="checkbox"/> Friend	<input type="checkbox"/> Catalog
<input type="checkbox"/> Card Deck	<input type="checkbox"/> Website	<input type="checkbox"/> Other:
- Which of the following magazines do you subscribe to?

<input type="checkbox"/> Cabinetmaker & FDM	<input type="checkbox"/> Popular Science	<input type="checkbox"/> Wooden Boat
<input type="checkbox"/> Family Handyman	<input type="checkbox"/> Popular Woodworking	<input type="checkbox"/> Woodshop News
<input type="checkbox"/> Hand Loader	<input type="checkbox"/> Precision Shooter	<input type="checkbox"/> Woodsmith
<input type="checkbox"/> Handy	<input type="checkbox"/> Projects in Metal	<input type="checkbox"/> Woodwork
<input type="checkbox"/> Home Shop Machinist	<input type="checkbox"/> RC Modeler	<input type="checkbox"/> Woodworker West
<input type="checkbox"/> Journal of Light Cont.	<input type="checkbox"/> Rifle	<input type="checkbox"/> Woodworker's Journal
<input type="checkbox"/> Live Steam	<input type="checkbox"/> Shop Notes	<input type="checkbox"/> Other:
<input type="checkbox"/> Model Airplane News	<input type="checkbox"/> Shotgun News	
<input type="checkbox"/> Old House Journal	<input type="checkbox"/> Today's Homeowner	
<input type="checkbox"/> Popular Mechanics	<input type="checkbox"/> Wood	
- What is your annual household income?

<input type="checkbox"/> \$20,000-\$29,000	<input type="checkbox"/> \$30,000-\$39,000	<input type="checkbox"/> \$40,000-\$49,000
<input type="checkbox"/> \$50,000-\$59,000	<input type="checkbox"/> \$60,000-\$69,000	<input type="checkbox"/> \$70,000+
- What is your age group?

<input type="checkbox"/> 20-29	<input type="checkbox"/> 30-39	<input type="checkbox"/> 40-49
<input type="checkbox"/> 50-59	<input type="checkbox"/> 60-69	<input type="checkbox"/> 70+
- How long have you been a woodworker/metalworker?

<input type="checkbox"/> 0-2 Years	<input type="checkbox"/> 2-8 Years	<input type="checkbox"/> 8-20 Years	<input type="checkbox"/> 20+ Years
------------------------------------	------------------------------------	-------------------------------------	------------------------------------
- How many of your machines or tools are Grizzly?

<input type="checkbox"/> 0-2	<input type="checkbox"/> 3-5	<input type="checkbox"/> 6-9	<input type="checkbox"/> 10+
------------------------------	------------------------------	------------------------------	------------------------------
- Do you think your machine represents a good value? Yes No
- Would you recommend Grizzly Industrial to a friend? Yes No
- Would you allow us to use your name as a reference for Grizzly customers in your area?
Note: We never use names more than 3 times. Yes No

10. Comments: _____

CUT ALONG DOTTED LINE

FOLD ALONG DOTTED LINE



Place
Stamp
Here



GRIZZLY INDUSTRIAL, INC.
P.O. BOX 2069
BELLINGHAM, WA 98227-2069



FOLD ALONG DOTTED LINE

Send a Grizzly Catalog to a friend:

Name _____
Street _____
City _____ State _____ Zip _____

TAPE ALONG EDGES--PLEASE DO NOT STAPLE

WARRANTY & RETURNS

Grizzly Industrial, Inc. warrants every product it sells for a period of **1 year** to the original purchaser from the date of purchase. This warranty does not apply to defects due directly or indirectly to misuse, abuse, negligence, accidents, repairs or alterations or lack of maintenance. This is Grizzly's sole written warranty and any and all warranties that may be implied by law, including any merchantability or fitness, for any particular purpose, are hereby limited to the duration of this written warranty. We do not warrant or represent that the merchandise complies with the provisions of any law or acts unless the manufacturer so warrants. In no event shall Grizzly's liability under this warranty exceed the purchase price paid for the product and any legal actions brought against Grizzly shall be tried in the State of Washington, County of Whatcom.

We shall in no event be liable for death, injuries to persons or property or for incidental, contingent, special, or consequential damages arising from the use of our products.

To take advantage of this warranty, contact us by mail or phone and give us all the details. We will then issue you a "Return Number," which must be clearly posted on the outside as well as the inside of the carton. We will not accept any item back without this number. Proof of purchase must accompany the merchandise.

The manufacturers reserve the right to change specifications at any time because they constantly strive to achieve better quality equipment. We make every effort to ensure that our products meet high quality and durability standards and we hope you never need to use this warranty.

Please feel free to write or call us if you have any questions about the machine or the manual.

Thank you again for your business and continued support. We hope to serve you again soon.

grizzly.com[®]

TOOL WEBSITE

Buy Direct and Save with Grizzly[®] – Trusted, Proven and a Great Value!
~Since 1983~

*Visit Our Website Today For
Current Specials!*

**ORDER
24 HOURS A DAY!
1-800-523-4777**



Free Manuals Download Website

<http://myh66.com>

<http://usermanuals.us>

<http://www.somanuals.com>

<http://www.4manuals.cc>

<http://www.manual-lib.com>

<http://www.404manual.com>

<http://www.luxmanual.com>

<http://aubethermostatmanual.com>

Golf course search by state

<http://golfingnear.com>

Email search by domain

<http://emailbydomain.com>

Auto manuals search

<http://auto.somanuals.com>

TV manuals search

<http://tv.somanuals.com>