

# *Grizzly* **Industrial, Inc.**®

## **MODEL G0710 1HP WALL HANGING DUST COLLECTOR OWNER'S MANUAL**



COPYRIGHT © JULY, 2010 BY GRIZZLY INDUSTRIAL, INC.  
**WARNING: NO PORTION OF THIS MANUAL MAY BE REPRODUCED IN ANY SHAPE  
OR FORM WITHOUT THE WRITTEN APPROVAL OF GRIZZLY INDUSTRIAL, INC.**  
(FOR MACHINES MFG 6/10+) #CR13051 PRINTED IN TAIWAN

# **WARNING!**

**This manual provides critical safety instructions on the proper setup, operation, maintenance and service of this machine/equipment.**

**Failure to read, understand and follow the instructions given in this manual may result in serious personal injury, including amputation, electrocution or death.**

**The owner of this machine/equipment is solely responsible for its safe use. This responsibility includes but is not limited to proper installation in a safe environment, personnel training and usage authorization, proper inspection and maintenance, manual availability and comprehension, application of safety devices, blade/cutter integrity, and the usage of personal protective equipment.**

**The manufacturer will not be held liable for injury or property damage from negligence, improper training, machine modifications or misuse.**

# **WARNING!**

**Some dust created by power sanding, sawing, grinding, drilling, and other construction activities contains chemicals known to the State of California to cause cancer, birth defects or other reproductive harm. Some examples of these chemicals are:**

- **Lead from lead-based paints.**
- **Crystalline silica from bricks, cement and other masonry products.**
- **Arsenic and chromium from chemically-treated lumber.**

**Your risk from these exposures varies, depending on how often you do this type of work. To reduce your exposure to these chemicals: Work in a well ventilated area, and work with approved safety equipment, such as those dust masks that are specially designed to filter out microscopic particles.**

# Table of Contents

<b>INTRODUCTION</b> .....	<b>2</b>
Manual Accuracy.....	2
Contact Info.....	2
Machine Description.....	2
Machine Data Sheet.....	3
<b>SECTION 1: SAFETY</b> .....	<b>5</b>
Safety Instructions for Machinery.....	5
Additional Safety Instructions for Dust Collectors.....	7
<b>SECTION 2: POWER SUPPLY</b> .....	<b>8</b>
<b>SECTION 3: SETUP</b> .....	<b>10</b>
Needed for Setup.....	10
Unpacking.....	10
Inventory.....	10
Hardware Recognition Chart.....	11
Site Considerations.....	12
Wall Mounting.....	13
Collection System.....	14
Test Run.....	16
<b>SECTION 4: OPERATIONS</b> .....	<b>17</b>
<b>SECTION 5: ACCESSORIES</b> .....	<b>18</b>
<b>SECTION 6: MAINTENANCE</b> .....	<b>20</b>
Schedule.....	20
Lubrication.....	20
Bag Cleaning.....	20
<b>SECTION 7: SERVICE</b> .....	<b>21</b>
Troubleshooting.....	21
<b>SECTION 8: WIRING</b> .....	<b>23</b>
Wiring Safety Instructions.....	23
<b>SECTION 9: PARTS</b> .....	<b>25</b>
Main.....	25
Machine Labels.....	26
<b>WARRANTY AND RETURNS</b> .....	<b>29</b>


# INTRODUCTION

## Manual Accuracy

We are proud to offer this manual with your new machine! We've made every effort to be exact with the instructions, specifications, drawings, and photographs of the machine we used when writing this manual. However, sometimes we still make an occasional mistake.

Also, owing to our policy of continuous improvement, **your machine may not exactly match the manual**. If you find this to be the case, and the difference between the manual and machine leaves you in doubt, check our website for the latest manual update or call technical support for help.

Before calling, find the manufacture date of your machine by looking at the date stamped into the machine ID label (see below). This will help us determine if the manual version you received matches the manufacture date of your machine.

		MODEL GXXXX MACHINE NAME	
SPECIFICATIONS		▲ WARNING!	
Motor:		ing this machine: operation. s and respirator. sted/setup and suit before starting. 4. make sure the motor has stopped and disconnect power before adjustments, maintenance, or service. 5. DO NOT expose to rain or dampness. 6. DO NOT modify this machine in any way. 7. DO NOT remove safety guards. 8. Never leave machine running unattended. 9. DO NOT operate under the influence of drugs or alcohol. 10. Maintain machine carefully to prevent accidents.	
Specification:			
Specification:			
Specification:			
Weight:			
<input type="text"/>	Date		
<input type="text"/>	Serial Number		
Manufactured for Grizzly in Taiwan			
Manufacture Date of Your Machine			
An arrow points from the 'Date' field to the 'Manufacture Date of Your Machine' label.			

For your convenience, we post all available manuals and manual updates for free on our website at [www.grizzly.com](http://www.grizzly.com). Any updates to your model of machine will be reflected in these documents as soon as they are complete.

## Contact Info

We stand behind our machines. If you have any service questions, parts requests or general questions about the machine, please call or write us at the location listed below.

Grizzly Industrial, Inc.  
1203 Lycoming Mall Circle  
Muncy, PA 17756  
Phone: (570) 546-9663  
E-Mail: [techsupport@grizzly.com](mailto:techsupport@grizzly.com)

We want your feedback on this manual. If you can take the time, please email or write to us at the address below and tell us how we did:

Grizzly Industrial, Inc.  
c/o Technical Documentation Manager  
P.O. Box 2069  
Bellingham, WA 98227-2069  
Email: [manuals@grizzly.com](mailto:manuals@grizzly.com)

## Machine Description

This machine is designed to capture dust and wood chips from woodworking machines, such as table saws, jointers, and planers. The air drawn in by the dust collector is passed through a cloth collection bag that is removed and emptied when full. A wide variety of accessories for setting up a stationary or mobile dust collection system are available through Grizzly.





# MACHINE DATA SHEET

© Grizzly Industrial, Inc. • Customer Service: (570) 546-9663 • Orders: (800) 523-4777

## MODEL G0710 1 HP WALL MOUNT DUST COLLECTOR

### Product Dimensions:

Weight ..... 51 lbs.  
 Length/Width/Height ..... 44 x 18 x 19-1/2 in.  
 Foot Print (Length/Width)..... 14 x 14 in.

### Shipping Dimensions:

Type ..... Cardboard  
 Content..... Machine  
 Weight..... 55 lbs.  
 Length/Width/Height..... 18 x 19 x 16 in.

### Electrical:

Power Requirement ..... 110V/220V, Single-Phase, 60 Hz  
 Prewired ..... 110V  
 Minimum Circuit Size ..... 15 Amp@110V, 15 Amp@220V  
 Switch..... ON/OFF Toggle with Safety Lock Tab  
 Switch Voltage ..... 110V  
 Cord Length ..... 10 ft.  
 Cord Gauge ..... 16 AWG  
 Plug Included ..... Yes  
 Included Plug Type ..... NEMA 5-15  
 Recommended Plug/Outlet Type for 220V ..... NEMA 6-15

### Motors:

#### Main

Type..... TEFC Capacitor Start Induction  
 Horsepower ..... 1 HP  
 Voltage ..... 110V/220V  
 Prewired ..... 110V  
 Phase ..... Single  
 Amps ..... 14A/7A  
 Speed ..... 3450 RPM  
 Cycle..... 60 Hz  
 Number Of Speeds..... 1  
 Power Transfer..... Direct Drive

### Main Specifications:

#### Operation

Air Suction Capacity ..... 450 CFM  
 Maximum Static Pressure ..... 7.2 in.  
 Main Inlet Size..... 4 in.  
 Machine Collection Capacity ..... 1  
 Maximum Material Collection Capacity ..... 1.5 cu. ft.  
 Upper Bag Filtration ..... 30 Micron



**Bag Information**

Upper Bag Capacity .....2 cu. ft.  
Upper Bag Diameter.....13-1/2 in.  
Upper Bag Length .....24 in.  
No Of Upper Bags ..... 1  
Height With Bags Inflated.....19-1/2 in.

**Impeller Information**

Impeller Type..... Radial Fin  
Impeller Size..... 10 in.  
Impeller Blade Thickness .....3/32 in.

**Construction**

Upper Bag Material .....Fabric  
Base Construction ..... Fabricated Sheet Metal with Casters  
Frame Construction ..... Formed Steel  
Caster Construction.....Four Plastic  
Impeller Construction ..... Riveted Steel  
Paint ..... Powder Coated

**Other Specifications:**

ISO 9001 Factory .....Yes  
Country Of Origin ..... Taiwan  
Warranty..... 1 Year  
Serial Number Location .....Machine Label on Collector Body

**Features:**

Steel Base Plate Easily Mounts to Most Walls  
Ideal Point-of-Use Dust Collector



# SECTION 1: SAFETY

## WARNING

### For Your Own Safety, Read Instruction Manual Before Operating this Machine

The purpose of safety symbols is to attract your attention to possible hazardous conditions. This manual uses a series of symbols and signal words intended to convey the level of importance of the safety messages. The progression of symbols is described below. Remember that safety messages by themselves do not eliminate danger and are not a substitute for proper accident prevention measures.



Indicates an imminently hazardous situation which, if not avoided, **WILL** result in death or serious injury.



Indicates a potentially hazardous situation which, if not avoided, **COULD** result in death or serious injury.



Indicates a potentially hazardous situation which, if not avoided, **MAY** result in minor or moderate injury. It may also be used to alert against unsafe practices.

**NOTICE**

This symbol is used to alert the user to useful information about proper operation of the machine.

## WARNING

### Safety Instructions for Machinery

**OWNER'S MANUAL.** Read and understand this owner's manual **BEFORE** using machine. Untrained users can be seriously hurt.

**EYE PROTECTION.** Always wear ANSI-approved safety glasses or a face shield when operating or observing machinery. to reduce the risk of eye injury or blindness from flying particles Everyday eyeglasses are not approved safety glasses.

**HAZARDOUS DUST.** Dust created while using machinery may cause cancer, birth defects, or long-term respiratory damage. Be aware of dust hazards associated with each workpiece material, and always wear a NIOSH-approved respirator to reduce your risk.

**WEARING PROPER APPAREL.** Do not wear clothing, apparel, or jewelry that can become entangled in moving parts. Always tie back or cover long hair. Wear non-slip footwear to avoid accidental slips which could cause a loss of work-piece control.

**HEARING PROTECTION.** Always wear hearing protection when operating or observing loud machinery. Extended exposure to this noise without hearing protection can cause permanent hearing loss.

**MENTAL ALERTNESS.** Be mentally alert when running machinery. Never operate under the influence of drugs or alcohol, when tired, or when distracted.



# WARNING

## Safety Instructions for Machinery

**DISCONNECTING POWER SUPPLY.** Always disconnect machine from power supply before servicing, adjusting, or changing cutting tools (bits, blades, cutters, etc.). Make sure switch is in OFF position before reconnecting to avoid an unexpected or unintentional start.

**INTENDED USE.** Only use the machine for its intended purpose and only use recommended accessories. Never stand on machine, modify it for an alternative use, or outfit it with non-approved accessories.

**STABLE MACHINE.** Unexpected movement during operations greatly increases the risk of injury and loss of control. Verify machines are stable/secure and mobile bases (if used) are locked before starting.

**FORCING MACHINERY.** Do not force machine. It will do the job safer and better at the rate for which it was designed.

**GUARDS & COVERS.** Guards and covers can protect you from accidental contact with moving parts or flying debris. Make sure they are properly installed, undamaged, and working correctly before using machine.

**REMOVING TOOLS.** Never leave adjustment tools, chuck keys, wrenches, etc. in or on machine—especially near moving parts. Verify removal before starting!

**AWKWARD POSITIONS.** Keep proper footing and balance at all times when operating machine. Do not overreach! Avoid awkward hand positions that make workpiece control difficult or increase the risk of accidental injury.

**DANGEROUS ENVIRONMENTS.** Do not use machinery in wet locations, cluttered areas, around flammables, or in poorly-lit areas. Keep work area clean, dry, and well lighted to minimize risk of injury.

**APPROVED OPERATION.** Untrained operators can be seriously hurt by machinery. Only allow trained or properly supervised people to use machine. When machine is not being used, disconnect power, remove switch keys, or lock-out machine to prevent unauthorized use—especially around children. Make workshop kid proof!

**CHILDREN & BYSTANDERS.** Keep children and bystanders a safe distance away from work area. Stop using machine if children or bystanders become a distraction.

**FEED DIRECTION.** Unless otherwise noted, feed work against the rotation of blades or cutters. Feeding in the same direction of rotation may pull your hand into the cut.

**SECURING WORKPIECE.** When required, use clamps or vises to secure workpiece. A secured workpiece protects hands and frees both of them to operate the machine.

**UNATTENDED OPERATION.** Never leave machine running while unattended. Turn machine **OFF** and ensure all moving parts completely stop before walking away.

**MAINTENANCE & INSPECTION.** A machine that is not properly maintained may operate unpredictably. Follow all maintenance instructions and lubrication schedules to keep machine in good working condition. Regularly inspect machine for loose bolts, alignment of critical parts, binding, or any other conditions that may affect safe operation. Always repair or replace damaged or mis-adjusted parts before operating machine.

**EXPERIENCING DIFFICULTIES.** If at any time you are experiencing difficulties performing the intended operation, stop using the machine! Contact our Technical Support Department at (570) 546-9663.





# **WARNING**

## **Additional Safety Instructions for Dust Collectors**

**MACHINE USE.** This machine is intended to only collect wood dust and chips from woodworking machines. Do not use this dust collector as a vacuum or with machines producing dust/chips from metal, asbestos products, lead paint, silica or any products that are not natural wood or man-made wood products, such as plywood or particle boards.

**WEAR RESPIRATOR.** This machine may blow fine dust particles into the air during operation causing a hazard to the lungs. Always wear an approved respirator during machine operation and for a short time after.

**SUSPENDED DUST PARTICLES AND IGNITION SOURCES.** Do not operate the dust collector in area where explosion risks are high. Areas of high risk include, but are not limited to, areas near pilot lights or open flames.

**EMPTYING DUST.** When emptying dust from the collection bags or drum, wear a respirator and safety glasses. Empty dust away from ignition sources and into an approved container, then dispose of properly.

**SAFE SERVICING.** Disconnect the machine from power and allow the impeller to come to a complete stop before servicing, maintenance, adjustments.

**AVOIDING FIRES.** Do not allow steel particles to strike the impeller—this may produce a spark. Sparks can smolder in the wood dust for a long time before the fire or flame is detected. If you accidentally collect metal during operation, immediately turn off the dust collector, disconnect it from power, and wait for all moving parts to stop. Remove the collection bags and empty the dust into an approved air tight metal container. Prevent any chance of accidentally collecting metal again before resuming operations.

**KEEPING FINGERS SAFE.** Do not place your hands or tools near the open inlet during operation for any reason. The powerful suction could easily cause accidental contact with the impeller which will cause serious personal injury or damage to the machine.

**DUST HAZARD.** Be aware that certain woods may cause an allergic reaction in people and animals, especially when exposed to fine dust. Make sure you know what type of wood dust you will be exposed to in case there is a possibility of an allergic reaction.

**OPERATIONAL QUESTIONS.** If, at any time, you are experiencing difficulties performing the intended operation, stop using the machine! Then contact our Tech Support or ask a qualified expert how the operation should be performed.

### **WARNING**

Like all machinery there is potential danger when operating this machine. Accidents are frequently caused by lack of familiarity or failure to pay attention. Use this machine with respect and caution to decrease the risk of operator injury. If normal safety precautions are overlooked or ignored, serious personal injury may occur.

### **CAUTION**

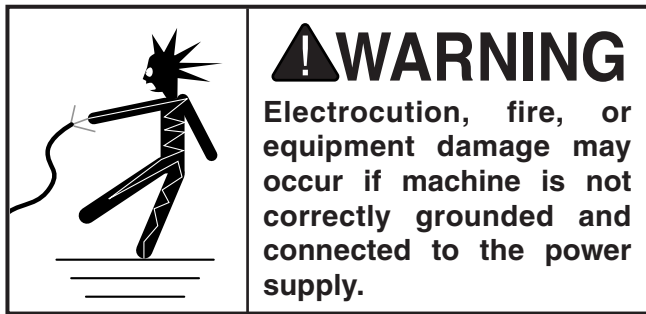
No list of safety guidelines can be complete. Every shop environment is different. Always consider safety first, as it applies to your individual working conditions. Use this and other machinery with caution and respect. Failure to do so could result in serious personal injury, damage to equipment, or poor work results.



# SECTION 2: POWER SUPPLY

## Availability

Before installing the machine, consider the availability and proximity of the required power supply circuit. If an existing circuit does not meet the requirements for this machine, a new circuit must be installed. To minimize the risk of electrocution, fire, or equipment damage, installation work and electrical wiring must be done by a qualified electrician in accordance with all applicable codes and standards.



## Full-Load Current Rating

The full-load current rating is the amperage a machine draws at 100% of the rated output power. On machines with multiple motors, this is the amperage drawn by the largest motor or sum of all motors and electrical devices that might operate at one time during normal operations.

**Full-Load Current Rating at 110V..... 14 Amps**

**Full-Load Current Rating at 220V ..... 7 Amps**

The full-load current is not the maximum amount of amps that the machine will draw. If the machine is overloaded, it will draw additional amps beyond the full-load rating.

If the machine is overloaded for a sufficient length of time, damage, overheating, or fire may result—especially if connected to an undersized circuit. To reduce the risk of these hazards, avoid overloading the machine during operation and make sure it is connected to a power supply circuit that meets the requirements in the following section.

## Circuit Information

A power supply circuit includes all electrical equipment between the main breaker box or fuse panel in your building and the incoming power connections at the machine. This circuit must be sized to safely handle the full-load current drawn from the machine for an extended period of time.

### **! CAUTION**

**For your own safety and protection of property, consult a qualified electrician if you are unsure about wiring practices or electrical codes in your area.**

**Note:** *The circuit requirements listed in this manual apply to a dedicated circuit—where only one machine will be running at a time. If this machine will be connected to a shared circuit where multiple machines will be running at the same time, consult a qualified electrician to ensure that the circuit is properly sized for safe operation.*

## Circuit Requirements for 110V

This machine is prewired to operate on a 110V power supply circuit that has a verified ground and meets the following requirements:

**Nominal Voltage ..... 110V/120V**  
**Cycle ..... 60 Hz**  
**Phase ..... Single-Phase**  
**Circuit Rating ..... 15 Amps**  
**Plug/Receptacle ..... NEMA 5-15**

## Circuit Requirements for 220V

This machine can be converted to operate on a 220V power supply. To do this, follow the **Voltage Conversion** instructions later in this section. The intended 220V circuit must have a verified ground and meet the requirements that follow:

**Nominal Voltage ..... 220V/240V**  
**Cycle ..... 60 Hz**  
**Phase ..... Single-Phase**  
**Circuit Rating ..... 15 Amps**  
**Plug/Receptacle ..... NEMA 6-15**



## Grounding Requirements

In the event of certain types of malfunctions or breakdowns, grounding provides a path of least resistance for electric current—in order to reduce the risk of electric shock.

**For 110V operation:** This machine is equipped with a power cord that has an equipment-grounding wire and a grounding plug (similar to the figure below). The plug must only be inserted into a matching receptacle (outlet) that is properly installed and grounded in accordance with all local codes and ordinances.

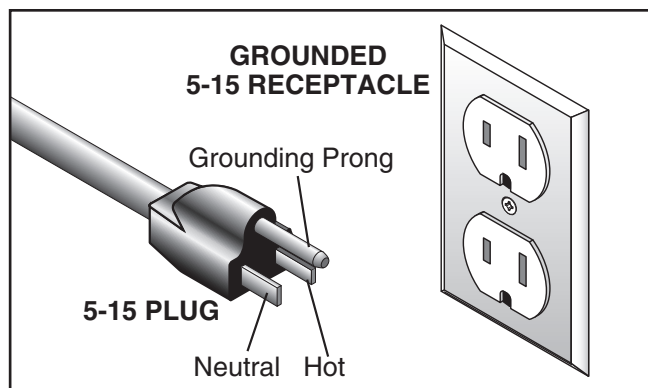


Figure 1. Typical 5-15 plug and receptacle.

**For 220V operation:** The plug specified under “Circuit Requirements for 220V” on the previous page has a grounding prong that must be attached to the equipment-grounding wire inside the included power cord. The plug must only be inserted into a matching receptacle (see below) that is properly installed and grounded in accordance with all local codes and ordinances.

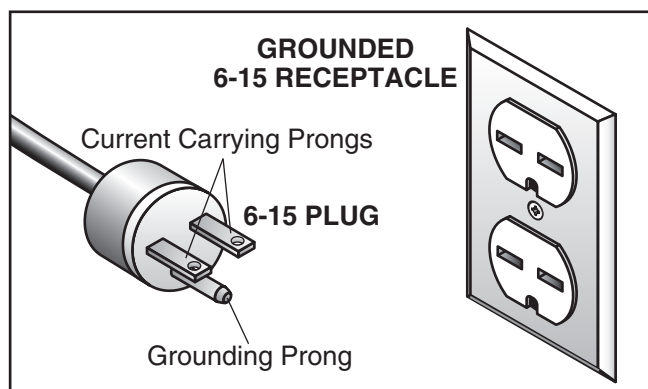


Figure 2. Typical 6-15 plug and receptacle.

## ⚠ WARNING

**Serious injury could occur if you connect the machine to power before completing the setup process. DO NOT connect to power until instructed later in this manual.**

Improper connection of the equipment-grounding wire can result in a risk of electric shock. The wire with green insulation (with or without yellow stripes) is the equipment-grounding wire. If repair or replacement of the power cord or plug is necessary, do not connect the equipment-grounding wire to a live (current carrying) terminal.

Check with a qualified electrician or service personnel if you do not understand these grounding requirements, or if you are in doubt about whether the tool is properly grounded. If you ever notice that a cord or plug is damaged or worn, disconnect it from power, and immediately replace it with a new one.

## Extension Cords

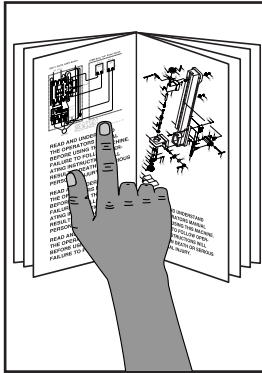
We do not recommend using an extension cord with this machine. If you must use an extension cord, only use it if absolutely necessary and only on a temporary basis.

Extension cords cause voltage drop, which may damage electrical components and shorten motor life. Voltage drop increases as the extension cord size gets longer and the gauge size gets smaller (higher gauge numbers indicate smaller sizes).

Any extension cord used with this machine must contain a ground wire, match the required plug and receptacle, and meet the following requirements:

**Minimum Gauge Size ..... 12 AWG**  
**Maximum Length (Shorter is Better)..... 50 ft.**

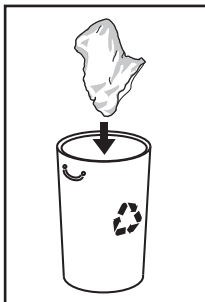
# SECTION 3: SETUP



**! WARNING**  
This machine presents serious injury hazards to untrained users. Read through this entire manual to become familiar with the controls and operations before starting the machine!



**! WARNING**  
Wear safety glasses during the entire setup process!



**! WARNING**  
**SUFFOCATION HAZARD!**  
Immediately discard all plastic bags and packing materials to eliminate choking/suffocation hazards for children and animals.

## Needed for Setup

The following are needed to complete the setup process, but are not included with your machine.

Description	Qty
• Safety Glasses and Respirator .....	1
• Mounting Fasteners.....	As Needed
• Tape Measure.....	1
• Drill w/Bits.....	As needed

## Unpacking

Your machine was carefully packaged for safe transportation. Remove the packaging materials from around your machine and inspect it. If you discover the machine is damaged, *please immediately call Customer Service at (570) 546-9663 for advice.*

Save the containers and all packing materials for possible inspection by the carrier or its agent. *Otherwise, filing a freight claim can be difficult.*

When you are completely satisfied with the condition of your shipment, inventory the contents.

## Inventory

The following is a description of the main components shipped with your machine. Lay the components out to inventory them.

**Note:** *If you can't find an item on this list, check the mounting location on the machine or examine the packing materials carefully. Occasionally we pre-install certain components for shipping purposes.*

Inventory	Qty
• Body and Motor Assembly .....	1
• Wall Mounting Bracket .....	1
• Dust Collection Bag.....	1
• Quick Release Bag Clamp .....	1
• Adhesive Foam Strip 3 x 34 x 280mm.....	1
<b>Hardware</b>	
• Flange Bolts 1/4-20 x 1/2" .....	4
• Open End Wrench 10 x 12mm .....	1

If any nonproprietary parts are missing (e.g. a nut or a washer), we will gladly replace them; or for the sake of expediency, replacements can be obtained at your local hardware store.



# Hardware Recognition Chart

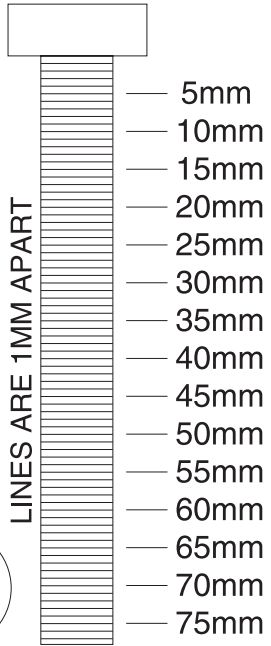
USE THIS CHART TO MATCH UP HARDWARE DURING THE ASSEMBLY PROCESS.

MEASURE BOLT DIAMETER BY PLACING INSIDE CIRCLE

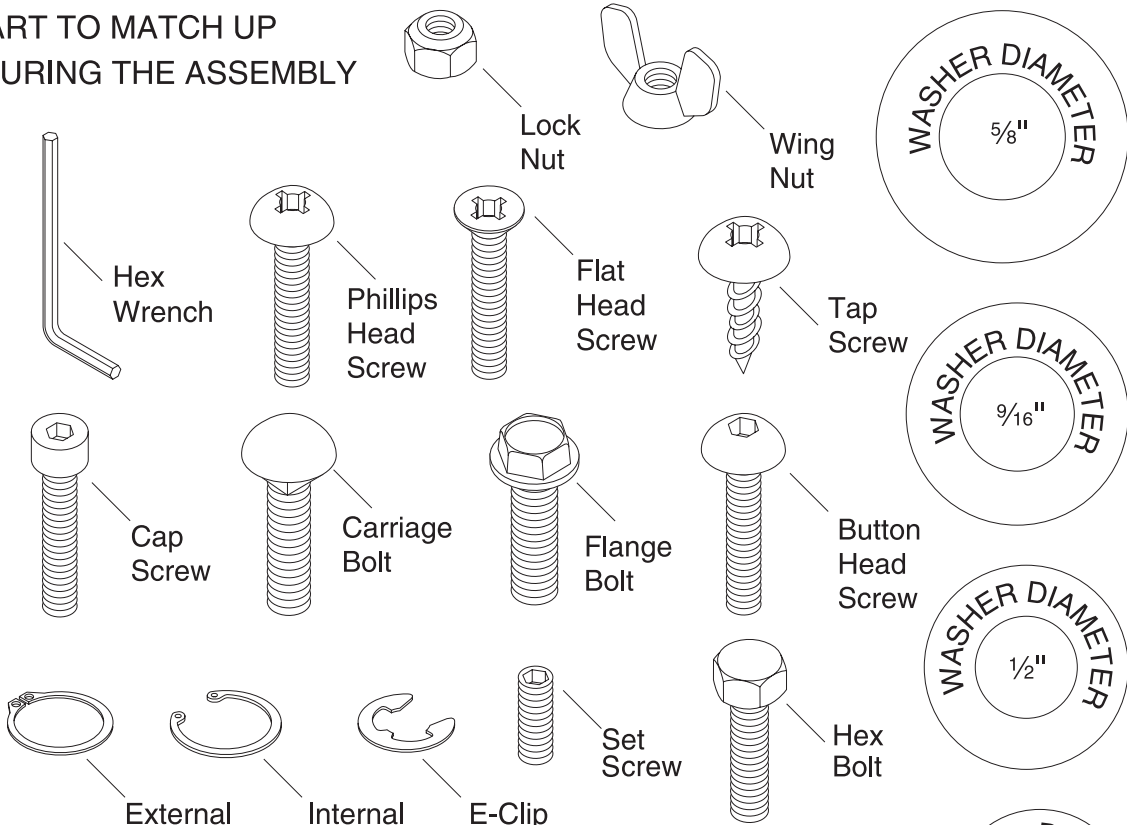
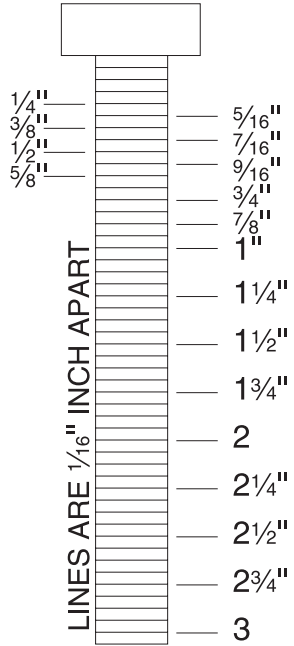
- #10
- 1/4"
- 5/16"
- 3/8"
- 7/16"
- 1/2"

- Key
- 4mm
- 6mm
- 8mm
- 10mm
- 12mm
- 16mm

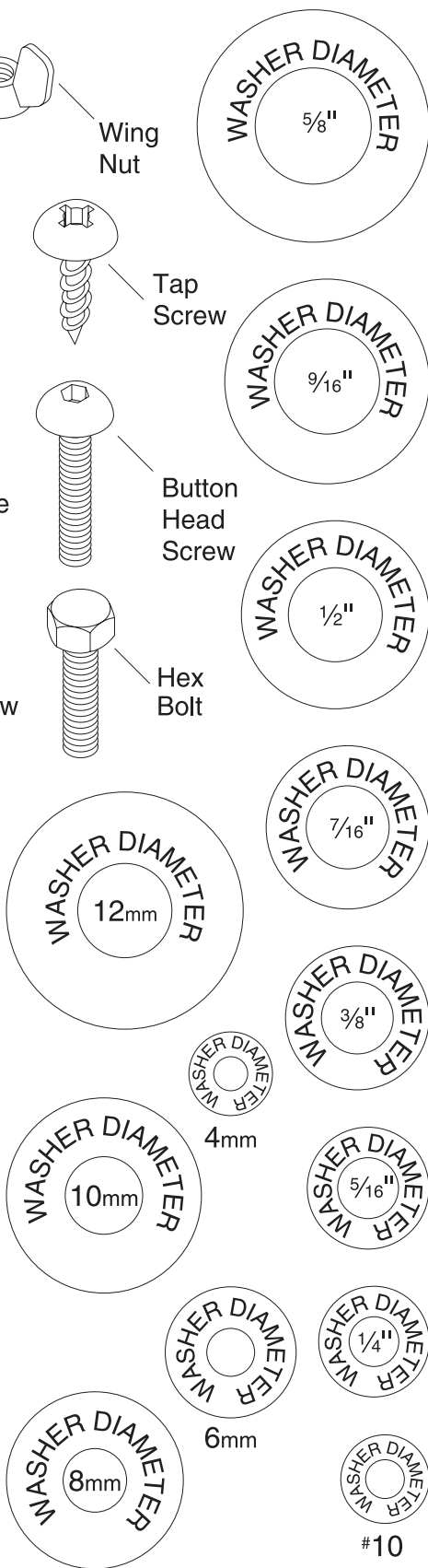
LINES ARE 1MM APART



LINES ARE 1/16" INCH APART



WASHERS ARE MEASURED BY THE INSIDE DIAMETER





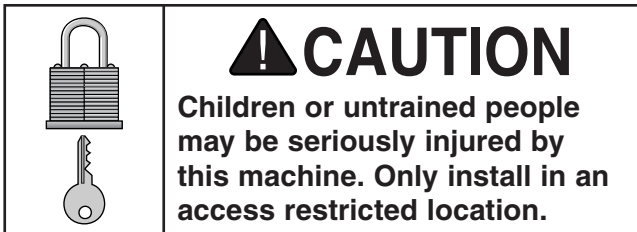
# Site Considerations

## Weight Load

Refer to the **Machine Data Sheet** for the weight of your machine. Make sure that the surface upon which the machine is placed will bear the weight of the machine, additional equipment that may be installed on the machine, and the heaviest workpiece that will be used. Additionally, consider the weight of the operator and any dynamic loading that may occur when operating the machine.

## Space Allocation

Consider the largest size of workpiece that will be processed through this machine and provide enough space around the machine for adequate operator material handling or the installation of auxiliary equipment. With permanent installations, leave enough space around the machine to open or remove doors/covers as required by the maintenance and service described in this manual. **See below for required space allocation.**



## Physical Environment

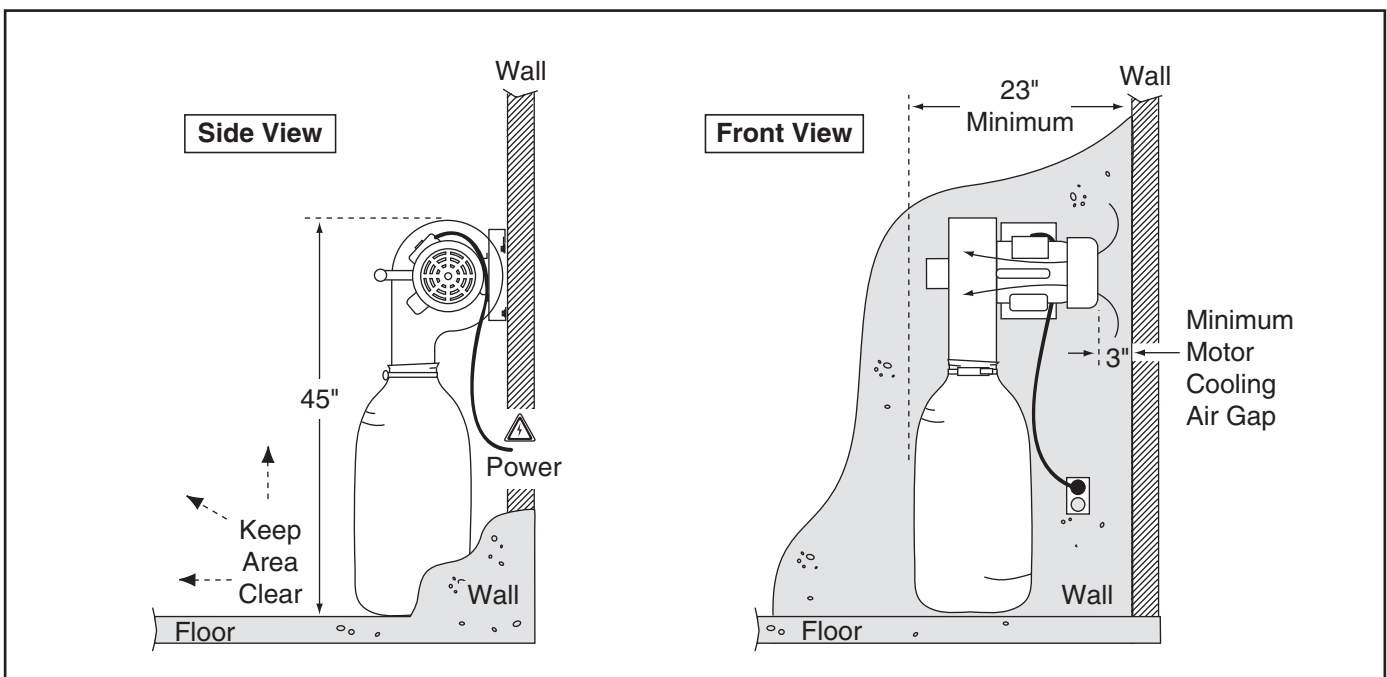
The physical environment where your machine is operated is important for safe operation and the longevity of its components. For best results, operate this machine in a dry environment that is free from excessive moisture, hazardous chemicals, airborne abrasives, or extreme conditions. Extreme conditions for this type of machinery are generally those where the ambient temperature range exceeds 41°–104°F; the relative humidity range exceeds 20–95% (non-condensing); or the environment is subject to vibration, shocks, or bumps.

## Electrical Installation

Place this machine near an existing power source. Make sure all power cords are protected from traffic, material handling, moisture, chemicals, or other hazards. Make sure to leave access to a means of disconnecting the power source or engaging a lockout/tagout device.

## Lighting

Lighting around the machine must be adequate enough that operations can be performed safely. Shadows, glare, or strobe effects that may distract or impede the operator must be eliminated.



**Figure 3.** Minimum working clearances.

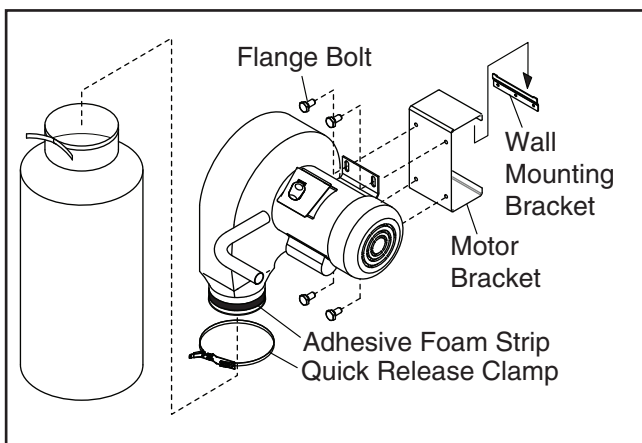


# Assembly

To prevent the dust collection bag from hanging free and stretching, the bottom must be supported. Also for adequate motor cooling, the motor fan intake must not be restricted by a wall or cabinet.

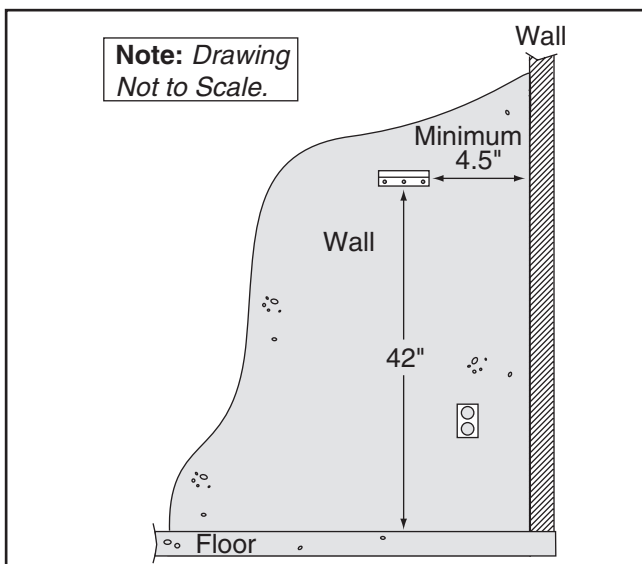
## To assemble and mount the dust collector:

1. Fasten the motor bracket to the motor base with the four included flange bolts, and install the adhesive foam strip on the dust collector outlet port at the location shown in **Figure 4**.



**Figure 4.** Dust collector assembly diagram.

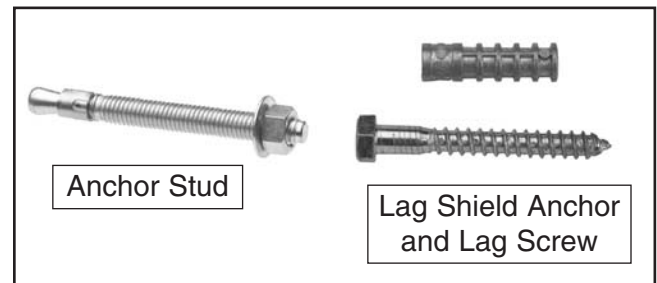
2. Using the mounting bracket as a template, mark the mounting hole location where the bottom of the mounting bracket is 42" from the floor and at least 4.5" away from any wall, as shown in **Figure 5**.



**Figure 5.** Wall mounting bracket positioning.

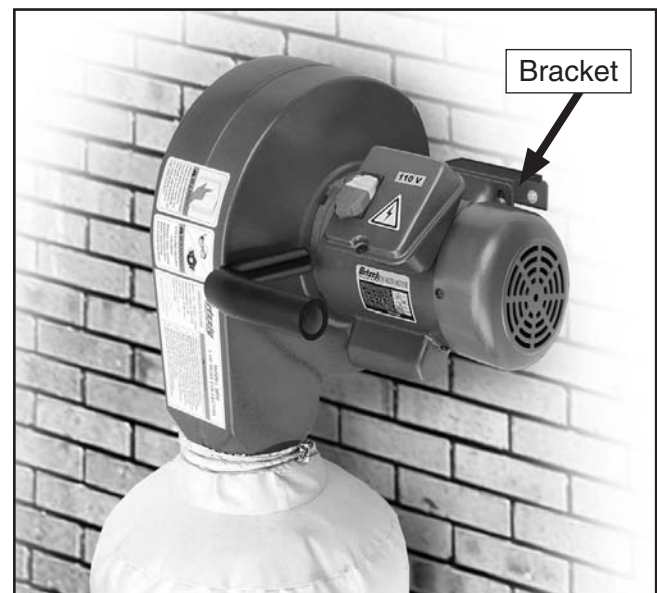
—If the dust collector will be mounted to a wood framed wall (with or without drywall), the mounting bracket must be mounted directly to a support panel that is wide enough to span and connect to two wall studs. The bracket then fastens to the panel. Next, the panel fastens to the wall studs with lag screws.

—If the dust collector will be mounted to a concrete or masonry wall, attach the bracket using lag shield anchors with lag screws or anchor studs (see **Figure 6**).



**Figure 6.** Typical fasteners for mounting dust collector bracket to masonry or concrete walls.

3. After the mounting bracket is installed on the wall, have another person help you hang the dust collector on the bracket, as shown in **Figure 7**.



**Figure 7.** Mounted dust collector.

4. Install the dust collection bag with the quick release clamp (see **Figure 4**), and connect the dust collection ducting to the duct collector. Refer to **Collection System** for grounding requirements on the next page.



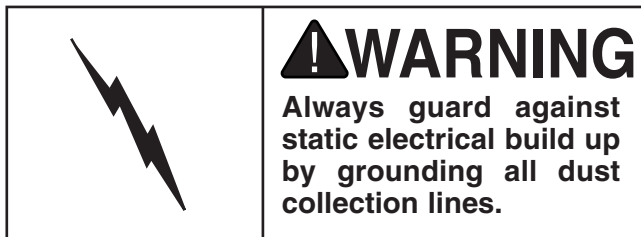
# Collection System

## Material Selection

You have many choices regarding dust collection ducting, but flexible hose is the most common for this size of machine. However, be aware that there is a fire or explosion hazard if plastic duct material is used for dust collection without being grounded against static electrical charge build-up.

Flexible rubber hose, polyethylene, plastic flex-hose and other flexible ribbed hose is generally used for short runs. There are many different types of flex hose on the market today. These are manufactured from materials such as polyethylene, PVC, cloth hose dipped in rubber and even metal, including steel and aluminum.

If using flex-hose, you should choose one of the many types that are designed specifically for the movement of solid particles, i.e. dust, grains and plastics. However, the cost of specifically designed flexible duct can vary greatly. Grizzly offers polyethylene and steel flex hose.



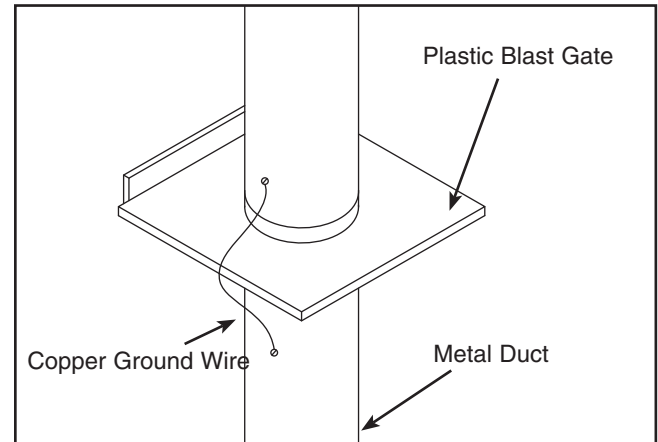
## Duct Grounding

Plastic flex-hose is an insulator, and dust particles moving against the walls of the hose creates a static electrical build up. This charge will build until it discharges to a ground. If a grounding medium is not available to prevent static electrical build up, the electrical charge will arc to the nearest grounded source. This electrical discharge may cause an explosion and subsequent fire inside the system.

To protect against static electrical build up inside a non-conducting duct, a bare copper wire should be placed inside the duct along its length and grounded to the dust collector. You must also confirm that the dust collector is continuously grounded through the electrical circuit to the electric service panel.

Be sure that you extend the bare copper wire down all branches of the system. Do not forget to connect the wires to each other with wire nuts when two branches meet at a “Y” or “T” connection.

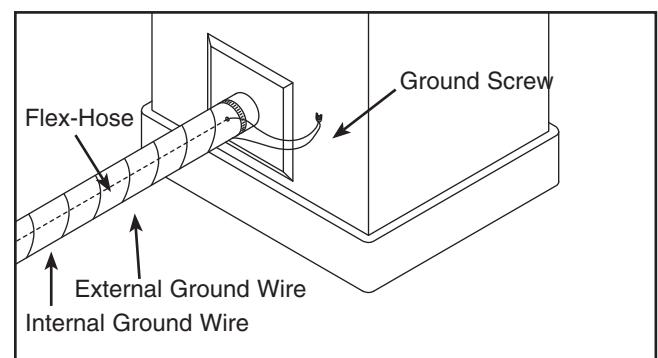
Ensure that the entire system is grounded. If using plastic blast gates to direct air flow, the grounding wire must be jumped (see **Figure 8**) around the blast gate without interruption to the grounding system.



**Figure 8.** Ground jumper wire when using plastic blast gates or elbows and metal duct.

We also recommend wrapping the outside of all plastic ducts with bare copper wire to ground the outside of the system against static electrical build up. Wire connections at Y’s and T’s should be made with wire nuts.

Attach the bare ground wire to each stationary woodworking machine and attach the dust collector frame with a ground screw as shown in **Figure 9**. Ensure that each machine is continuously grounded to the grounding terminal in your electric service panel.



**Figure 9.** Flex-hose grounded to machine.





## Dust Collection

Since each machine produces a different amount of sawdust, the requirements for the minimum amount of CFM to move that sawdust is unique to the machine (for example, a planer produces more sawdust than a table saw). Knowing this required CFM is important to gauging which size of duct to use.

Based on the dust port size of the machine to be connected to the dust collector, **Figure 10** will give you a close estimation of the CFM that is reduced because of dust port size. A machine that generates large wood chips should be placed as close to the dust collector as possible.

Machine Dust Port Size	Approximate Required CFM
2"	98
2.5"	150
3"	220
4"	395
5"	614
6"	884
7"	1203
8"	1570
9"	1990
10"	2456

**Figure 10.** Approximate CFM reduction, based on machine dust port size.

If your machine doesn't have a built in dust port, use **Figure 11** to verify which size of ducting to install on your machine.

Machine	Average Dust Port Size
Table Saw.....	4"
Miter/Radial-Arm Saw.....	2"
Jointer (6" and smaller) .....	4"
Jointer (8"-12") .....	5"
Thickness Planer (13" and smaller).....	4"
Thickness Planer (14"-20") .....	6"
Shaper .....	4"
Router (mounted to table).....	2"
Bandsaw.....	4"
Lathe.....	4"
Disc Sander (12" and smaller).....	2"
Disc Sander (13-18").....	4"
Belt Sander (6" and smaller) .....	2"
Belt Sander (7"-9") .....	3"
Edge Sander (6" x 80" and smaller).....	4"
Edge Sander (6" x 80" and larger) .....	5"
Drum Sander (24" and smaller).....	2 x 4"
Drum Sander (24" and larger) .....	4 x 4"
Widebelt Sander (18" and smaller).....	5"
Widebelt Sander (24"-37" single head) ..	2 x 6"
Widebelt Sander (24"-51" double head) ..	5 x 4"

**Figure 11.** Typical ducting sizes and port sizes for various machines.



# Test Run



Once the assembly is complete, test run your machine to make sure it runs properly and is ready for regular operation.

The test run consists of verifying the following:  
1) The motor powers up and runs correctly, and  
2) the safety disabling mechanism on the switch works correctly.

If, during the test run, you cannot easily locate the source of an unusual noise or vibration, stop using the machine immediately, then review **Troubleshooting** on **Page 21**.

If you still cannot remedy a problem, contact our Tech Support at (570) 546-9663 for assistance.

## To test run the machine:

1. Make sure you have read the safety instructions at the beginning of the manual and that the machine is setup properly.
2. Make sure all tools and objects used during set up are cleared away from the machine.
3. Connect the machine to the power source.

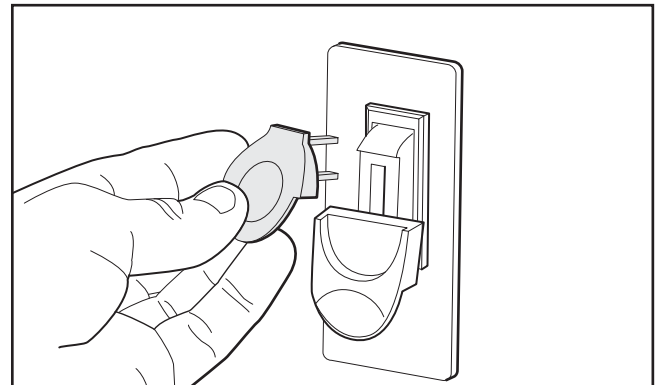
4. Verify that the machine is operating correctly by turning the machine **ON**.

—When operating correctly, the machine runs smoothly with little or no vibration or rubbing noises.

—Investigate and correct strange or unusual noises or vibrations before operating the machine further. Always disconnect the machine from power when investigating or correcting potential problems.

5. Turn the machine **OFF**.

6. Remove the switch disabling key, as shown in **Figure 12**.



**Figure 12.** Removing switch key from paddle switch.

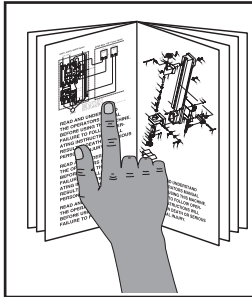
7. Try to start the machine with the paddle switch.

—If the machine does not start, the switch disabling feature is working as designed.

—If the machine starts, immediately stop the machine. The switch disabling feature is not working correctly. This safety feature must work properly before proceeding with regular operations. Call Tech Support for help.



# SECTION 4: OPERATIONS

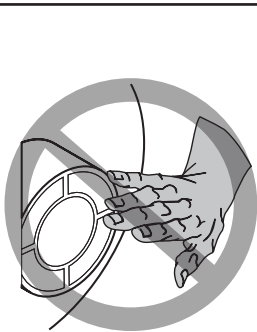
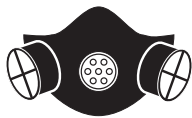


## **!WARNING**

To reduce the risk of serious injury when using this machine, read and understand this entire manual before beginning any operations.

## **!WARNING**

Damage to your eyes and lungs could result from using this machine without proper protective gear. Always wear safety glasses and a respirator when operating this machine.



## **!WARNING**

Do NOT put hands or small objects near inlet openings during operation. Objects sucked into the inlet will hit the impeller blade. Failure to heed this warning could result in personal injury or property damage.

## **NOTICE**

If you have never used this type of machine or equipment before, WE STRONGLY RECOMMEND that you read books, trade magazines, or get formal training before beginning any projects. Regardless of the content in this section, Grizzly Industrial will not be held liable for accidents caused by lack of training.

## **General**

Operating your Model G0710 is simple and straightforward, but keep in mind that it is intended for single machine use and is not designed to draw dust through long runs and multiple ports simultaneously. We do not recommend using ducting longer than 10 feet. Otherwise, dust collection efficiency will be greatly reduced.



# SECTION 5: ACCESSORIES

- H1049—Clear Flexible Hose 2½" x 10'
- H1052—Clear Flexible Hose 4" x 10'
- G3123—Black Flexible Hose 2½" x 10'
- G1536—Black Flexible Hose 4" x 10'
- G3124—Wire Hose Clamp 2½"
- G2974—Wire Hose Clamp 4"
- G3119—Dust Collection Adapter 2½" x 4"
- G1843—Plastic Blast Gate 4"
- G4679—Anti-Static Grounding Kit
- G7938—Shop Vacuum Adapter 2½" x 2½"

We've hand picked a selection of dust collection components commonly needed to connect the Model G0710 to basic machinery.



Figure 13. Dust collection accessories.

## H4340—0.3 Micron Bag

For improved filtering capabilities, upgrade to a 0.3 micron filter bag.



Figure 14. Fine filter bags.

## G3181—Dust Collection Kit #1

Designed for a one machine hook-up, kit #1 comes complete with installation instructions and an accessories list for expanding your dust collection system in the future.



Figure 15. Model G3181 Dust Collection Kit #1.

## H7215—4" x 5' Rigid Metal Flex Hose

### G6163—4" Metal Hose Clamp

This flex hose provides just enough flexibility to make difficult connections while still keeping the inside wall as smooth as possible to minimize static pressure loss.

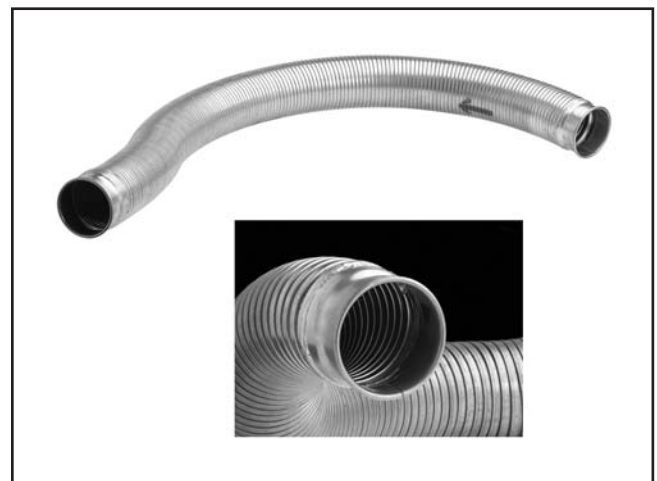


Figure 16. Rigid Metal Flex Hose.

**G2752—4" Rolling Floor Sweep**  
**G2753—4" Bench Dust Collection Attachment**

**G2754—4" Floor Dust Collection Attachment**  
 These attachments are indispensable for collecting dust at machines without a port. The rolling floor sweep is also a convenient way to keep the shop floor or workbench top clean! Designed for use with 4" flexible hose (not included).



**Figure 17.** Dust collection attachments.

**G0572—Hanging Air Filter With Remote**  
 This Hanging Air Filter has a convenient remote control and features a three speed motor, automatic shutoff timer and 1 micron inner filter and 5 micron outer filter. Air flow is 556, 702, and 1044 CFM.



**Figure 18.** G0572 Hanging Air Filter.

**H6396—Small Downdraft Table**  
**H6397—Large Downdraft Table**  
 Capture the dust produced by your portable sanders right on your benchtop.



**Figure 19.** Downdraft tables.

**H2797—110V Shop Fox Remote Control**  
 This remote switch turns your dust collector on and off from anywhere in your shop up to 75 feet away, saving you trip to your collector whenever you operate a shop machine.



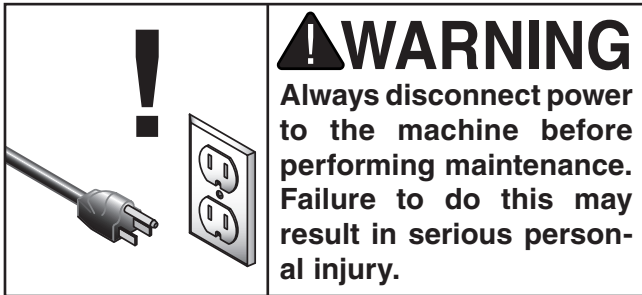
**Figure 20.** Model H2797 Remote Control.

**Call 1-800-523-4777 To Order**





# SECTION 6: MAINTENANCE



## Schedule

For optimum performance from your machine, follow this maintenance schedule and refer to any specific instructions given in this section.

### Daily Check:

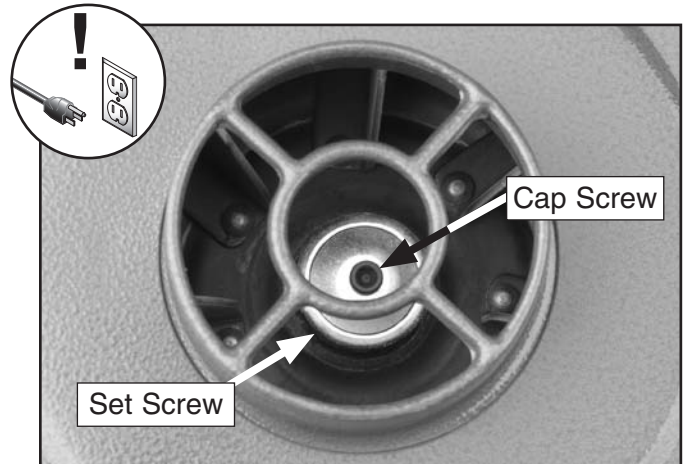
- Loose mounting bolts.
- Worn switch.
- Worn or damaged wires.
- Full collection bag.
- Any other unsafe condition.

## Lubrication

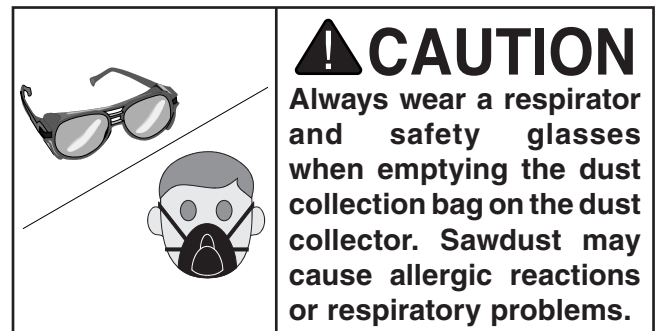
Since all bearings are shielded and permanently lubricated, simply leave them alone until they need to be replaced. Do not lubricate them.

## Impeller Tightening

Periodically check the impeller to make certain it is tight on the motor shaft. Any unusual vibration or noise may be an indication the impeller has loosened. There is one set screw which holds the impeller to the shaft, and a cap screw (left-hand threaded) on the end of the shaft. These can be accessed through the inlet cover, as shown in **Figure 21**. Always disconnect power from the dust collector before performing maintenance on the impeller.



**Figure 21.** Impeller screw locations.



## Bag Cleaning

Always empty the collection bag on a regular basis. Emptying the collection bag allows the machine to operate at a much higher level of efficiency. Always wear the appropriate respirator or dust mask and safety glasses when emptying the collection bag. Small dust particles can escape the bag during emptying, causing them to become airborne and easily inhaled. This microscopic airborne dust is unsafe to breathe and can cause serious health problems.

While the Model G0710 excels at collecting the majority of wood dust produced by your machines, it is not an air filter; therefore, **we strongly recommend** using the supplemental aid of a shop air filter such as the Grizzly G0572 shown on **Page 19**. Air filters are designed to collect the smaller dust particles that a dust collector bags cannot trap.



# SECTION 7: SERVICE

Review the troubleshooting and procedures in this section to fix or adjust your machine if a problem develops. If you need replacement parts or you are unsure of your repair skills, then feel free to call our Technical Support at (570) 546-9663.

## Troubleshooting

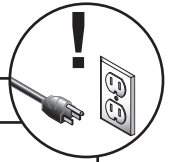
### Motor & Electrical



Symptom	Possible Cause	Possible Solution
Machine does not start or a breaker trips.	<ol style="list-style-type: none"> <li>1. Switch disabling key removed.</li> <li>2. Wall fuse/circuit breaker is blown/tripped.</li> <li>3. Power supply switched OFF or is at fault.</li> <li>4. Wiring is open/has high resistance.</li> <li>5. Motor ON/OFF switch is at fault.</li> <li>6. Motor is at fault.</li> </ol>	<ol style="list-style-type: none"> <li>1. Install disabling key.</li> <li>2. Verify that no short exists, and that the circuit size is suitable for this machine; replace fuse/ reset breaker.</li> <li>3. Ensure power supply is switched on; ensure power supply has the correct voltage.</li> <li>4. Check for broken wires or disconnected/ corroded connections, and repair/replace as necessary.</li> <li>5. Replace faulty ON/OFF switch.</li> <li>6. Test/repair/replace.</li> </ol>
Machine has vibration or noisy operation.	<ol style="list-style-type: none"> <li>1. Motor or component is loose.</li> <li>2. Motor mount loose/broken.</li> <li>3. Machine is incorrectly mounted to wall.</li> <li>4. Motor fan is rubbing on fan cover.</li> <li>5. Motor bearings are at fault.</li> </ol>	<ol style="list-style-type: none"> <li>1. Inspect/replace stripped or damaged bolts/ nuts, and re-tighten with thread locking fluid.</li> <li>2. Tighten/replace.</li> <li>3. Tighten/replace mounting hardware.</li> <li>4. Replace dented fan cover; replace loose/ damaged fan.</li> <li>5. Test by rotating shaft; rotational grinding/loose shaft requires bearing replacement.</li> </ol>



## Dust Collector Operation



Symptom	Possible Cause	Possible Solution
Loud, repetitious noise, or excessive vibration coming from dust collector.	<ol style="list-style-type: none"> <li>1. Dust collector or component is loose.</li> <li>2. Impeller is damaged and unbalanced.</li> <li>3. The motor mounting or housing connections are loose.</li> <li>4. Impeller is loose on the motor shaft.</li> <li>5. Motor fan cover is dented, causing the motor fan to hit the cover while spinning.</li> </ol>	<ol style="list-style-type: none"> <li>1. Tighten/replace mounting hardware.</li> <li>2. Disconnect dust collector from power, and inspect the impeller for dents, bends, loose fins. Replace impeller if any damage is found.</li> <li>3. Make sure all fasteners on the dust collector are tight.</li> <li>4. Replace the motor and impeller as a set if the motor shaft and the impeller hub are damaged.</li> <li>5. Replace motor fan cover.</li> </ol>
Dust collector does not adequately collect dust or chips; poor performance.	<ol style="list-style-type: none"> <li>1. Dust collection bag is full.</li> <li>2. There is a restriction in the duct line.</li> <li>3. The dust collector is too far away from the point of suction, or there are too many sharp bends in the ducting.</li> <li>4. The lumber is wet and dust is not flowing through the ducting smoothly.</li> <li>5. There is a leak in the ducting, or a series of small leaks, or too many open ports.</li> <li>6. The ducting and ports are incorrectly sized.</li> <li>7. The machine dust collection design is inadequate.</li> <li>8. The dust collector is too small for the dust collection system.</li> </ol>	<ol style="list-style-type: none"> <li>1. Empty collection bag.</li> <li>2. Remove dust line from dust collector inlet and unblock the restriction in the duct line. A plumbing snake may be necessary.</li> <li>3. Relocate the dust collector closer to the point of suction, and rework ducting without sharp bends. Refer to <b>Collection System</b>, beginning on <b>Page 14</b>.</li> <li>4. Process lumber with less than 20% moisture content.</li> <li>5. Rework the ducting to eliminate all leaks. Close dust ports for lines not being used.</li> <li>6. Reinstall correctly sized ducts and fittings. Refer to <b>Collection System</b> beginning on <b>Page 14</b> for more solutions.</li> <li>7. Use a dust collection nozzle on a stand, or upgrade dust collection system.</li> <li>8. Install a larger dust collector to power your dust collection system.</li> </ol>
Sawdust being blown into the air from the dust collector.	<ol style="list-style-type: none"> <li>1. Duct clamps or dust collection bag is not properly clamped and secured.</li> <li>2. Dust is extremely fine.</li> </ol>	<ol style="list-style-type: none"> <li>1. Re-secure ducts and dust collection bag, making sure duct and bag clamps are tight and completely over the ducts and bag.</li> <li>2. Replace filter bag with Grizzly Model H4340 0.3 micron type. Install one or more Grizzly Model G0572 Hanging Air Filters.</li> </ol>





# SECTION 8: WIRING

These pages are current at the time of printing. However, in the spirit of improvement, we may make changes to the electrical systems of future machines. Study this section carefully. If there are differences between your machine and what is shown in this section, call Technical Support at (570) 546-9663 for assistance BEFORE making any changes to the wiring on your machine.

## WARNING
















### Wiring Safety Instructions

- SHOCK HAZARD.** Working on wiring that is connected to a power source is extremely dangerous. Touching electrified parts will result in personal injury including but not limited to severe burns, electrocution, or death. Disconnect the power from the machine before servicing electrical components!
- MODIFICATIONS.** Modifying the wiring beyond what is shown in the diagram may lead to unpredictable results, including serious injury or fire. This includes the installation of unapproved aftermarket parts.
- WIRE CONNECTIONS.** All connections must be tight to prevent wires from loosening during machine operation. Double-check all wires disconnected or connected during any wiring task to ensure tight connections.
- CIRCUIT REQUIREMENTS.** You MUST follow the requirements at the beginning of this manual when connecting your machine to a power source.
- WIRE/COMPONENT DAMAGE.** Damaged wires or components increase the risk of serious personal injury, fire, or machine damage. If you notice that any wires or components are damaged while performing a wiring task, replace those wires or components.
- MOTOR WIRING.** The motor wiring shown in these diagrams is current at the time of printing but may not match your machine. If you find this to be the case, use the wiring diagram inside the motor junction box.
- CAPACITORS/INVERTERS.** Some capacitors and power inverters store an electrical charge for up to 10 minutes after being disconnected from the power source. To reduce the risk of being shocked, wait at least this long before working on capacitors.
- EXPERIENCING DIFFICULTIES.** If you are experiencing difficulties understanding the information included in this section, contact our Technical Support at (570) 546-9663.

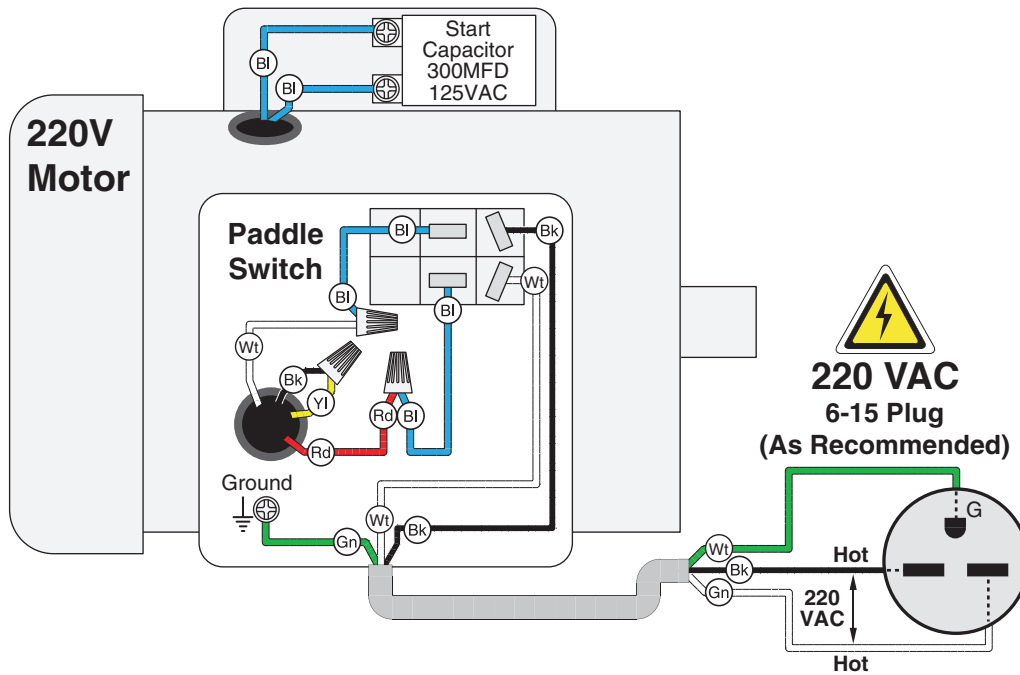
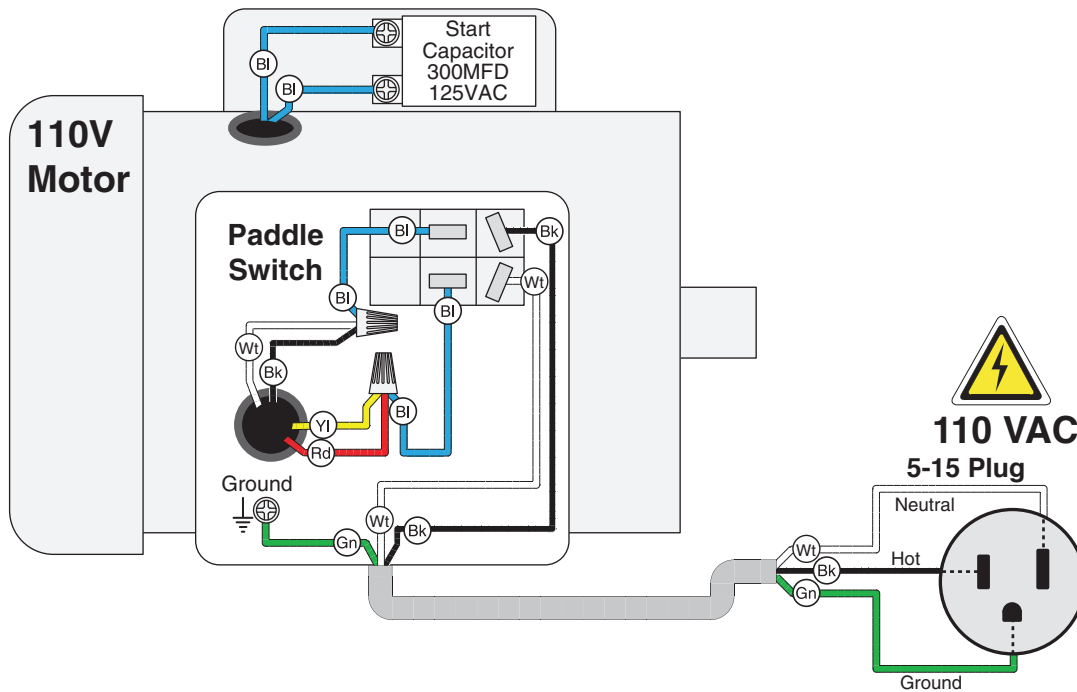
#### NOTICE

The photos and diagrams included in this section are best viewed in color. You can view these pages in color at [www.grizzly.com](http://www.grizzly.com).

#### COLOR KEY

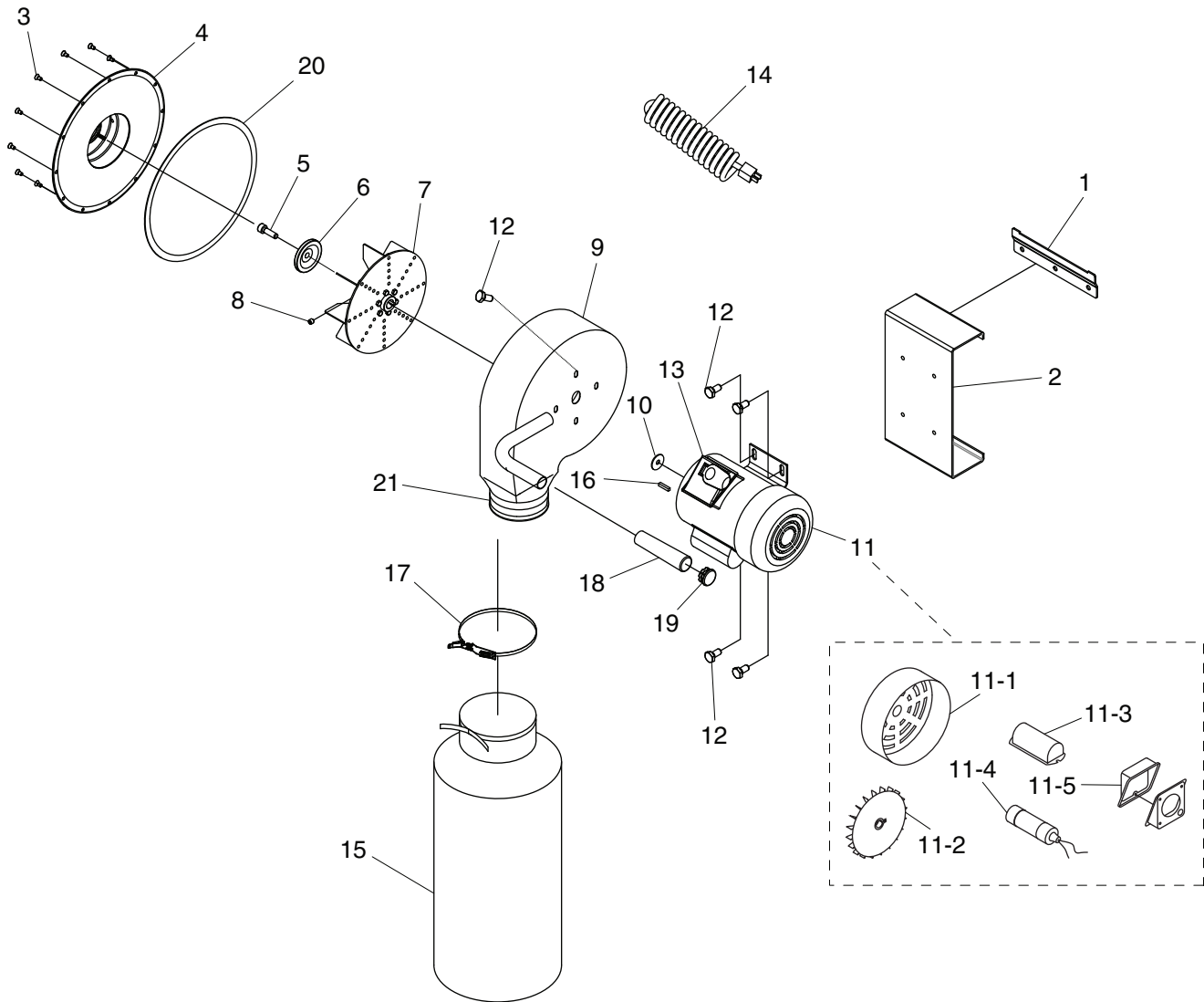
BLACK 	BLUE 	YELLOW 	LIGHT BLUE 
WHITE 	BROWN 	YELLOW GREEN 	BLUE WHITE 
GREEN 	GRAY 	PURPLE 	TURQUOISE 
RED 	ORANGE 	PINK 	





# SECTION 9: PARTS

## Main

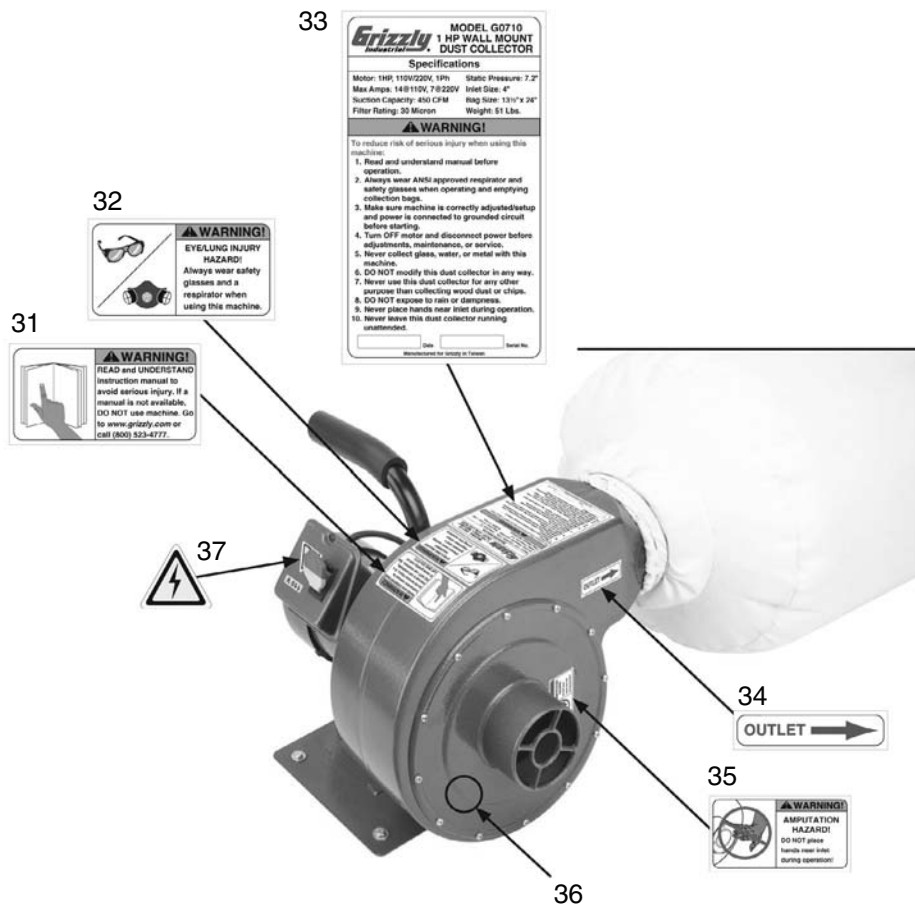


REF PART #	DESCRIPTION
1	P0710001 WALL BRACKET
2	P0710002 MOTOR MOUNT BRACKET
3	PS09M PHLP HD SCR M5-.8 X 10
4	P1163008A INLET COVER 11"
5	PCAP121M CAP SCREW M6-1 X 20 LH
6	P1028009 IMPELLER WASHER 6MM
7	P1163011V2 IMPELLER 10"
8	PSS02 SET SCREW 5/16-18 X 3/8
9	P1163014V3 COLLECTOR BODY W/HANDLE
10	P1032019 MOTOR SHAFT SPACER
11	P1163016V2 MOTOR 1HP 110/220V 1PH
11-1	P1163016V2-1 MOTOR FAN COVER
11-2	P1163016V2-2 MOTOR FAN

REF PART #	DESCRIPTION
11-3	P1163016V2-3 CAPACITOR COVER
11-4	PC300B S CAPACITOR 300M 125V 1-3/4 X 3-3/8
11-5	P1163016V2-5 MOTOR JUNCTION BOX
12	PFB03 FLANGE BOLT 1/4-20 X 1/2
13	G8988 PADDLE SWITCH W/KEY
14	PWRCRD110L POWER CORD 16AWG 3C 5-15
15	P1163021 COLLECTION BAG 13-1/2" X 24"
16	PK23M KEY 5 X 5 X 25
17	P1163023 QUICK RELEASE BAG CLAMP
18	P1163027 HANDLE COVER
19	P1163028 HANDLE END CAP
20	P0710020 INLET COVER GASKET
21	P0710021 OUTLET GASKET



# Machine Labels



REF	PART #	DESCRIPTION
31	PLABEL-12B	READ MANUAL LABEL
32	PLABEL-57B	EYE/LUNG INJURY LABEL
33	P0710033	MACHINE ID LABEL
34	P0710034	OUTLET DIRECTION LABEL

REF	PART #	DESCRIPTION
35	PLABEL-59C	AMPUTATION HAZARD LABEL
36	PPAINT-1	GRIZZLY GREEN TOUCH-UP PAINT
37	PLABLE-14A	ELECTRICITY LABEL

## WARNING

Safety labels warn about machine hazards and ways to prevent injury. The owner of this machine **MUST** maintain the original location and readability of the labels on the machine. If any label is removed or becomes unreadable, **REPLACE** that label before using the machine again. Contact Grizzly at (800) 523-4777 or [www.grizzly.com](http://www.grizzly.com) to order new labels.





# WARRANTY CARD

Name \_\_\_\_\_  
 Street \_\_\_\_\_  
 City \_\_\_\_\_ State \_\_\_\_\_ Zip \_\_\_\_\_  
 Phone # \_\_\_\_\_ Email \_\_\_\_\_ Invoice # \_\_\_\_\_  
 Model # \_\_\_\_\_ Order # \_\_\_\_\_ Serial # \_\_\_\_\_

The following information is given on a voluntary basis. It will be used for marketing purposes to help us develop better products and services. **Of course, all information is strictly confidential.**

- How did you learn about us?
 

<input type="checkbox"/> Advertisement	<input type="checkbox"/> Friend	<input type="checkbox"/> Catalog
<input type="checkbox"/> Card Deck	<input type="checkbox"/> Website	<input type="checkbox"/> Other:
- Which of the following magazines do you subscribe to?
 

<input type="checkbox"/> Cabinetmaker & FDM	<input type="checkbox"/> Popular Science	<input type="checkbox"/> Wooden Boat
<input type="checkbox"/> Family Handyman	<input type="checkbox"/> Popular Woodworking	<input type="checkbox"/> Woodshop News
<input type="checkbox"/> Hand Loader	<input type="checkbox"/> Precision Shooter	<input type="checkbox"/> Woodsmith
<input type="checkbox"/> Handy	<input type="checkbox"/> Projects in Metal	<input type="checkbox"/> Woodwork
<input type="checkbox"/> Home Shop Machinist	<input type="checkbox"/> RC Modeler	<input type="checkbox"/> Woodworker West
<input type="checkbox"/> Journal of Light Cont.	<input type="checkbox"/> Rifle	<input type="checkbox"/> Woodworker's Journal
<input type="checkbox"/> Live Steam	<input type="checkbox"/> Shop Notes	<input type="checkbox"/> Other:
<input type="checkbox"/> Model Airplane News	<input type="checkbox"/> Shotgun News	
<input type="checkbox"/> Old House Journal	<input type="checkbox"/> Today's Homeowner	
<input type="checkbox"/> Popular Mechanics	<input type="checkbox"/> Wood	
- What is your annual household income?
 

<input type="checkbox"/> \$20,000-\$29,000	<input type="checkbox"/> \$30,000-\$39,000	<input type="checkbox"/> \$40,000-\$49,000
<input type="checkbox"/> \$50,000-\$59,000	<input type="checkbox"/> \$60,000-\$69,000	<input type="checkbox"/> \$70,000+
- What is your age group?
 

<input type="checkbox"/> 20-29	<input type="checkbox"/> 30-39	<input type="checkbox"/> 40-49
<input type="checkbox"/> 50-59	<input type="checkbox"/> 60-69	<input type="checkbox"/> 70+
- How long have you been a woodworker/metalworker?
 

<input type="checkbox"/> 0-2 Years	<input type="checkbox"/> 2-8 Years	<input type="checkbox"/> 8-20 Years	<input type="checkbox"/> 20+ Years
------------------------------------	------------------------------------	-------------------------------------	------------------------------------
- How many of your machines or tools are Grizzly?
 

<input type="checkbox"/> 0-2	<input type="checkbox"/> 3-5	<input type="checkbox"/> 6-9	<input type="checkbox"/> 10+
------------------------------	------------------------------	------------------------------	------------------------------
- Do you think your machine represents a good value?  Yes  No
- Would you recommend Grizzly Industrial to a friend?  Yes  No
- Would you allow us to use your name as a reference for Grizzly customers in your area?  
**Note: We never use names more than 3 times.**  Yes  No

10. Comments: \_\_\_\_\_  
 \_\_\_\_\_  
 \_\_\_\_\_

CUT ALONG DOTTED LINE

FOLD ALONG DOTTED LINE

\_\_\_\_\_

\_\_\_\_\_

\_\_\_\_\_



Place  
Stamp  
Here



GRIZZLY INDUSTRIAL, INC.  
P.O. BOX 2069  
BELLINGHAM, WA 98227-2069



FOLD ALONG DOTTED LINE

Send a Grizzly Catalog to a friend:

Name _____
Street _____
City _____ State _____ Zip _____

TAPE ALONG EDGES--PLEASE DO NOT STAPLE

# WARRANTY AND RETURNS

---

Grizzly Industrial, Inc. warrants every product it sells for a period of **1 year** to the original purchaser from the date of purchase. This warranty does not apply to defects due directly or indirectly to misuse, abuse, negligence, accidents, repairs or alterations or lack of maintenance. This is Grizzly's sole written warranty and any and all warranties that may be implied by law, including any merchantability or fitness, for any particular purpose, are hereby limited to the duration of this written warranty. We do not warrant or represent that the merchandise complies with the provisions of any law or acts unless the manufacturer so warrants. In no event shall Grizzly's liability under this warranty exceed the purchase price paid for the product and any legal actions brought against Grizzly shall be tried in the State of Washington, County of Whatcom.

We shall in no event be liable for death, injuries to persons or property or for incidental, contingent, special, or consequential damages arising from the use of our products.

To take advantage of this warranty, contact us by mail or phone and give us all the details. We will then issue you a "Return Number," which must be clearly posted on the outside as well as the inside of the carton. We will not accept any item back without this number. Proof of purchase must accompany the merchandise.

The manufacturers reserve the right to change specifications at any time because they constantly strive to achieve better quality equipment. We make every effort to ensure that our products meet high quality and durability standards and we hope you never need to use this warranty.

Please feel free to write or call us if you have any questions about the machine or the manual.

Thank you again for your business and continued support. We hope to serve you again soon.

# *grizzly.com*<sup>®</sup>

**TOOL WEBSITE**

Buy Direct and Save with Grizzly<sup>®</sup> – Trusted, Proven and a Great Value!  
~Since 1983~

*Visit Our Website Today For  
Current Specials!*

**ORDER  
24 HOURS A DAY!  
1-800-523-4777**





## Free Manuals Download Website

<http://myh66.com>

<http://usermanuals.us>

<http://www.somanuals.com>

<http://www.4manuals.cc>

<http://www.manual-lib.com>

<http://www.404manual.com>

<http://www.luxmanual.com>

<http://aubethermostatmanual.com>

Golf course search by state

<http://golfingnear.com>

Email search by domain

<http://emailbydomain.com>

Auto manuals search

<http://auto.somanuals.com>

TV manuals search

<http://tv.somanuals.com>