

**INDUSTRIAL, INC.**

# **UNIVERSAL KNIFE GRINDER**

**MODEL G2790**

## **INSTRUCTION MANUAL**



COPYRIGHT © 1992 BY GRIZZLY INDUSTRIAL, INC.

**WARNING: NO PORTION OF THIS MANUAL MAY BE REPRODUCED IN ANY SHAPE  
OR FORM WITHOUT THE WRITTEN APPROVAL OF GRIZZLY INDUSTRIAL, INC.**

REVISED APRIL, 1999. PRINTED IN U.S.A.



# **WARNING!**

**Some dust created by power sanding, sawing, grinding, drilling, and other construction activities contains chemicals known to the State of California to cause cancer, birth defects or other reproductive harm. Some examples of these chemical are:**

- **Lead from lead-based paints.**
- **Crystalline silica from bricks, cement and other masonry products.**
- **Arsenic and chromium from chemically-treated lumber.**

**Your risk from these exposures varies, depending on how often you do this type of work. To reduce your exposure to these chemicals: Work in a well ventilated area, and work with approved safety equipment, such as those dust masks that are specially designed to filter out microscopic particles.**

# Table Of Contents

	PAGE
<b>1. SAFETY</b>	
SAFETY INSTRUCTIONS FOR POWER TOOLS.....	1-2
ADDITIONAL SAFETY INSTRUCTIONS FOR GRINDERS .....	3
<b>2. CIRCUIT REQUIREMENTS</b>	
110V OPERATION .....	4
FUSING .....	4
EXTENSION CORDS .....	4
GROUNDING .....	4
<b>3. INTRODUCTION</b>	
COMMENTARY .....	5
UNPACKING.....	6
PARTS INVENTORY .....	6
CLEAN UP .....	7
SITE CONSIDERATIONS .....	7
<b>4. ASSEMBLY</b>	
WORK PLATE SYSTEM .....	8
STATIONARY CLAMPS .....	8-9
GRINDER CONTROLS GUIDE .....	9
<b>5. OPERATIONS</b>	
OVERVIEW.....	10
WIDE KNIVES.....	10-11
NARROW KNIVES .....	11-12
OTHER BLADES .....	12
<b>6. MAINTENANCE</b>	
WHEELDRESSING .....	13
WHEEL REMOVAL .....	13
<b>7. CLOSURE .....</b>	<b>14</b>
<b>MACHINE DATA .....</b>	<b>15</b>
<b>WARRANTY AND RETURNS.....</b>	<b>16</b>
<b>PARTS DIAGRAM .....</b>	<b>17</b>
<b>PARTS LIST .....</b>	<b>18</b>

# SECTION 1: SAFETY

## WARNING

### For Your Own Safety Read Instruction Manual Before Operating This Equipment

The purpose of safety symbols is to attract your attention to possible hazardous conditions. This manual uses a series of symbols and signal words which are intended to convey the level of importance of the safety messages. The progression of symbols is described below. Remember that safety messages by themselves do not eliminate danger and are not a substitute for proper accident prevention measures.



Indicates an imminently hazardous situation which, if not avoided, WILL result in death or serious injury.



Indicates a potentially hazardous situation which, if not avoided, COULD result in death or serious injury.



Indicates a potentially hazardous situation which, if not avoided, MAY result in minor or moderate injury. It may also be used to alert against unsafe practices.

**NOTICE**

This symbol is used to alert the user to useful information about proper operation of the equipment.

## WARNING

### Safety Instructions For Power Tools

- KEEP GUARDS IN PLACE** and in working order.
- REMOVE ADJUSTING KEYS AND WRENCHES.** Form habit of checking to see that keys and adjusting wrenches are removed from tool before turning on.
- KEEP WORK AREA CLEAN.** Cluttered areas and benches invite accidents.
- DON'T USE IN DANGEROUS ENVIRONMENT.** Don't use power tools in damp or wet locations, or where any flammable or noxious fumes may exist. Keep work area well lighted.
- KEEP CHILDREN AND VISITORS AWAY.** All children and visitors should be kept a safe distance from work area.
- MAKE WORK SHOP CHILD PROOF** with padlocks, master switches, or by removing starter keys.
- DON'T FORCE TOOL.** It will do the job better and safer at the rate for which it was designed.
- USE RIGHT TOOL.** Don't force tool or attachment to do a job for which it was not designed.

# WARNING

## Safety Instructions For Power Tools

9. **USE PROPER EXTENSION CORD.** Make sure your extension cord is in good condition. Conductor size should be in accordance with the chart below. The amperage rating should be listed on the motor or tool nameplate. An undersized cord will cause a drop in line voltage resulting in loss of power and overheating. Your extension cord must also contain a ground wire and plug pin. Always repair or replace extension cords if they become damaged.

Minimum Gauge for Extension Cords

AMP RATING	LENGTH		
	25ft	50ft	100ft
0-6	18	16	16
7-10	18	16	14
11-12	16	16	14
13-16	14	12	12
17-20	12	12	10
21-30	10	10	No

10. **WEAR PROPER APPAREL.** Do not wear loose clothing, gloves, neckties, rings, bracelets, or other jewelry which may get caught in moving parts. Non-slip footwear is recommended. Wear protective hair covering to contain long hair.
11. **ALWAYS USE SAFETY GLASSES.** Also use face or dust mask if cutting operation is dusty. Everyday eyeglasses only have impact resistant lenses, they are NOT safety glasses.
12. **SECURE WORK.** Use clamps or a vise to hold work when practical. It's safer than using your hand and frees both hands to operate tool.
13. **DON'T OVERREACH.** Keep proper footing and balance at all times.
14. **MAINTAIN TOOLS WITH CARE.** Keep tools sharp and clean for best and safest performance. Follow instructions for lubricating and changing accessories.
15. **DISCONNECT TOOLS** before servicing and changing accessories, such as blades, bits, cutters, and the like.
16. **REDUCE THE RISK OF UNINTENTIONAL STARTING.** Make sure switch is in off position before plugging in.
17. **USE RECOMMENDED ACCESSORIES.** Consult the owner's manual for recommended accessories. The use of improper accessories may cause risk of injury.
18. **CHECK DAMAGED PARTS.** Before further use of the tool, a guard or other part that is damaged should be carefully checked to determine that it will operate properly and perform its intended function. Check for alignment of moving parts, binding of moving parts, breakage of parts, mounting, and any other conditions that may affect its operation. A guard or other part that is damaged should be properly repaired or replaced.
19. **NEVER LEAVE TOOL RUNNING UNATTENDED. TURN POWER OFF.** Don't leave tool until it comes to a complete stop.

## **WARNING**

# **Additional Safety Instructions For Grinders**

1. Wear a face shield and/or safety goggles.
2. Use clamps and supports to sharpen tools.
3. Grinding creates sparks. Make sure your work area is free of combustible materials.
4. Dress the grinding wheel when its surface becomes rutted or uneven. Replace the wheel if the wear or damage becomes excessive.
5. Do not use a wheel that is cracked or chipped.
6. Be sure the grinder is mounted on a stable surface.
7. If you are unclear about operating the machine, don't do it. Please call our service department if you have questions about any element of this machine's operation.
8. Use care when handling sharpened cutting tools.

## **WARNING**

Like all power tools, there is danger associated with the Model G2790 Universal Knife Grinder. Accidents are frequently caused by lack of familiarity or failure to pay attention. Use this tool with respect and caution to lessen the possibility of operator injury. If normal safety precautions are overlooked or ignored serious personal injury may occur.

## **CAUTION**

No list of safety guidelines can be complete. Every shop environment is different. Always consider safety first, as it applies to your individual working conditions. Use this and other machinery with caution and respect. Failure to do so could result in serious personal injury, damage to equipment or poor work results.

## **WARNING**

Operating this equipment has the potential for flying debris to cause eye injury. Always wear safety glasses or goggles when operating equipment. Everyday glasses or reading glasses only have impact resistant lenses, they are not safety glasses. Be certain the safety glasses you wear meet the appropriate standards of the American National Standards Institute (ANSI).

# SECTION 2: CIRCUIT REQUIREMENTS

## 110V Operation

The Model G2790 is wired for 110/120V, single phase operation only. The 1/2 HP, 1720 RPM motor draws 8 amps. This is not a large load. However, if you operate the grinder on a circuit that is already close to capacity, it could overload that circuit. If an unusual load does not exist and a power failure still occurs, contact a qualified electrician or our service department.



## Fusing

A 15-amp fuse or circuit breaker should be used when fusing the universal knife grinder. Circuits rated any higher are not adequate to protect the motor from power surges.

Equipment returned to us for service that shows evidence of being over-fused will be repaired or replaced totally at the customer's expense, regardless of the present warranty status.



## Extension Cords

If you find it necessary to use an extension cord with the Model G2790, make sure the cord is rated Hard Service (grade S) or better. Refer to the chart in the standard safety instructions to determine the minimum gauge for the extension cord. The extension cord must also contain a ground wire and plug pin. Always repair or replace extension cords when they become worn or damaged.

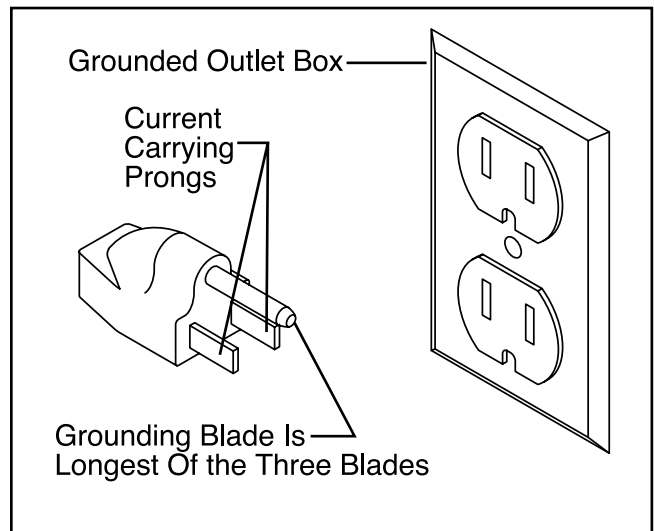


## Grounding

In the event of an electrical short, grounding reduces the risk of electric shock by providing a path of least resistance to disperse electric current. This tool is equipped with a power cord having an equipment-grounding conductor. The outlet must be properly installed and grounded in accordance with all local codes and ordinances.

### **⚠️ WARNING**

**This equipment must be grounded. Verify that any existing electrical outlet and circuit you intend to plug into is actually grounded. If it is not, it will be necessary to run a separate 12 A.W.G. copper grounding wire from the outlet to a known ground. Under no circumstances should the grounding pin from any three-pronged plug be removed. Serious personal injury may occur.**



**Figure 1.** Grounded plug configuration.



# SECTION 3: INTRODUCTION

---

---

## Commentary

---

---

We are proud to offer the Grizzly Model G2790 Universal Knife Grinder. The Model G2790 is part of a growing Grizzly family of fine woodworking machinery. When used according to the guidelines set forth in this manual, you can expect years of trouble-free, enjoyable operation and proof of Grizzly's commitment to customer satisfaction.

The Model G2790 is designed for heavy-duty professional use. It features a capacitor-start 1/2 HP motor that operates on 110V at 3450 RPM. It is capable of sharpening jointer and planer knives up to 20" long. Its work table adjusts from 15° to 90° to accommodate a wide range of cutting angles. Overall shipping weight of the Model G2790 is approximately 58 lbs.

A number of optional accessories for the Model G2790 are available through the Grizzly catalog. They include a diamond dressing tool and replacement stones in 120, 180, 220, and 320 grits.

We are also pleased to provide this manual with the Model G2790. It was written to guide you through assembly, review safety considerations, and cover general operating procedures. It represents our effort to produce the best documentation possible. If you have any comments regarding this manual, please write to us at the address below:

Grizzly Industrial, Inc.  
% Technical Documentation  
P.O. Box 2069  
Bellingham, WA 98227-2069

Most importantly, we stand behind our machines. If you have any service questions or parts requests, please call or write us at the location listed below.

Grizzly Industrial, Inc.  
1203 Lycoming Mall Circle  
Muncy, PA 17756  
Phone: (570) 546-9663  
Fax: (800) 438-5901  
E-Mail: techsupport@grizzly.com  
Web Site: <http://www.grizzly.com>

The specifications, drawings, and photographs illustrated in this manual represent the Model G2790 as supplied when the manual was prepared. However, owing to Grizzly's policy of continuous improvement, changes may be made at any time with no obligation on the part of Grizzly. Whenever possible, though, we send manual updates to all owners of a particular tool or machine. Should you receive one, we urge you to insert the new information with the old and keep it for reference.

### CAUTION

**To operate this, or any power tool, safely and efficiently, it is essential to become as familiar with its characteristics as possible. The time you invest before you begin to use your Model G2790 will be time well spent. DO NOT operate this machine until you are completely familiar with the contents of this manual. Make sure you read and understand all of the safety procedures. If you do not understand something, DO NOT operate the machine.**





# Unpacking

---

---

This *Universal Knife Grinder* is shipped from the manufacturer in a carefully packed carton. If you discover the machine is damaged after you've signed for delivery, and the truck and driver are gone, you will need to file a freight claim with the carrier. Save the containers and all packing materials for possible inspection by the carrier or its agent. Without the packing materials, filing a freight claim can be difficult. *If you need assistance determining whether you need to file a freight claim, or with the procedure to file one, please contact our Customer Service.*

When you are completely satisfied with the condition of your shipment, you should inventory its parts.



# Parts Inventory

---

---

After all the parts have been removed from the carton, you should have:

- Table Assembly
- Knife Support Assembly
- Work Plate Assembly
- Pivot Plate Assembly
- Hardware
  - Hex Head Jam Nuts  $\frac{1}{4}$ " - 20 5
  - Washers  $\frac{1}{4}$ " 5
  - Hex Head Bolts  $\frac{5}{16}$ " - 18 x  $\frac{1}{2}$ " 3

In the event that any non-proprietary parts are missing (e.g. a nut or a washer), we would be glad to replace them, or, for the sake of expediency, replacements can be obtained at your local hardware store.

## NOTICE

**A full parts list and breakdown can be found toward the end of this manual. For easier assembly, or to identify missing parts, please refer to the detailed illustrations at the end of the manual.**



# Clean Up

---

---

The unpainted surfaces are coated with a waxy oil to protect it from corrosion during shipment. Remove this protective coating with with a solvent cleaner or citrus-based degreaser. Avoid chlorine-based solvents as they may damage painted surfaces should they come in contact. Always follow the usage instructions on the product you choose for clean up.

## CAUTION

Many of the solvents commonly used to clean machinery can be highly flammable, and toxic when inhaled or ingested. Always work in well-ventilated areas far from potential ignition sources when dealing with solvents. Use care when disposing of waste rags and towels to be sure they do not create fire or environmental hazards. Keep children and animals safely away when cleaning and assembling this machine.

## WARNING

Do not use gasoline or other petroleum-based solvents to remove this protective coating. These products generally have low flash points which makes them extremely flammable. A risk of explosion and burning exists if these products are used. Serious personal injury may occur.



# Site Considerations

---

---

## BENCH LOAD

Your G2790 Universal Knife Grinder represents a moderately large weight load in a small footprint. Be sure that your workbench is adequately reinforced to support the weight of the grinder.

## WORKING CLEARANCES

Working clearances can be thought of as the distances between machines and obstacles that allow safe operation of every machine without limitation. Ensure that your working area offers plenty of room for free movement and a substantial amount of distance between you and others that may be working in your shop space.

## LIGHTING AND OUTLETS

Lighting should be bright enough to eliminate shadow and prevent eye strain. Electrical circuits should be dedicated or large enough to handle combined motor amp loads. Outlets should be located near each machine so power or extension cords are not obstructing high-traffic areas. Be sure to observe local electrical codes for proper installation of new lighting, outlets, or circuits.

## CAUTION

Make your shop “child safe”. Ensure that your workplace is inaccessible to youngsters by closing and locking all entrances when you are away. Never allow visitors in your shop when assembling, adjusting or operating equipment.

## NOTICE

To provide the most stable and secure working environment, we strongly recommend bolting the grinder to your workbench. Two bolt holes are included for convenient mounting.

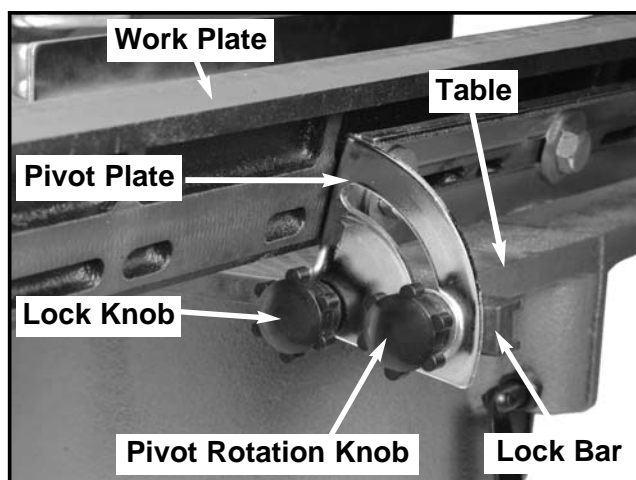


# SECTION 4: ASSEMBLY

## Work Plate System

To assemble the work plate system:

1. Place the work plate upside-down on your work bench.
2. Attach the lock bars to the pivot plate with the lock knobs provided. **See Figure 2.**



**Figure 2.** Location of plate system components.

3. Attach the pivot rotation knob to the threaded hole at the outside end of the right lock bar, so the gears mesh with the teeth on the edge of the pivot plate.
4. Mount the pivot plate assembly to the back of the work plate using the three (3)  $\frac{5}{16}$ " - 18 x  $\frac{1}{2}$ " hex bolts provided.
5. Turn the work plate assembly right-side-up and slide the lock bars over the sides of the grinder table as shown in **Figure 2**. It may be necessary to loosen the lock knobs part way to allow alignment of the bars to the table.
6. Place the sliding knife support on the work plate so the knife support's lip catches the edge of the work plate.

Run the sliding support over the work plate to check for smooth movement. Occasionally, a work plate is shipped from the factory with small imperfections in the casting that can cause interruptions in movement. Removing these minor imperfections will ensure smooth movement and superior sharpening results.

Test pivot movement by loosening the lock knobs and turning the pivot rotation knob. Make sure the teeth are meshed properly with those on the pivot plate.



## Stationary Clamps

The Model G2790 features two stationary clamps that can be attached directly to the pivot plate. **See Figure 3.** The clamps are held in place by compression brackets. To attach the stationary brackets:

1. Remove the sliding support from the work plate.
2. Remove the work plate from the pivot plate.



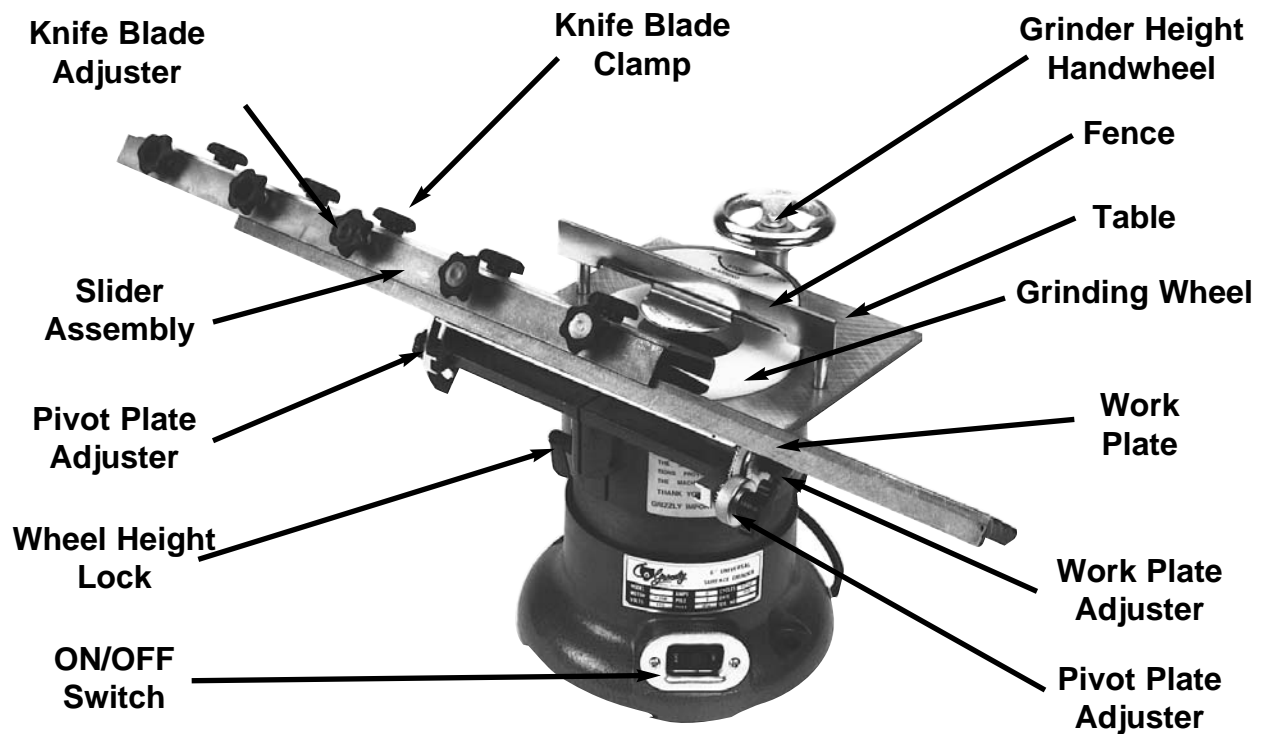
**Figure 3.** Stationary clamps in place.

# NOTES

---

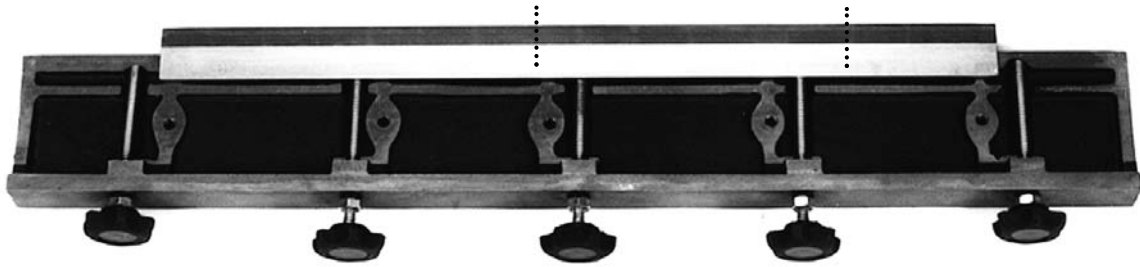
---

3. Place the two tool clamps on the top of the pivot plate as shown in **Figure 3**. Attach using the tool clamp knobs and washers on top and the special lock nuts underneath the pivot plate.
4. Position the clamps so they are centered over the wheel, and adjust the width to the approximate size of the workpiece you are sharpening. See Section 5: Operations, Narrow Knives for further information on the grinding process.



**Figure 4.** Universal Knife Grinder controls.

# SECTION 5: Operations



(Knife inverted for identification purposes.)

Figure 5. Recommended centering of a planer knife in the knife support.

## Overview

### CAUTION

Planer, jointer and other knives are dangerously sharp. Use extreme caution, particularly after sharpening. Failure to exercise care while working near knives could result in severe injury.

Setting up the Model G2790 will depend upon the type of knife you intend to sharpen. Wide blades, such as jointer or planer knives, will require the sliding support. To sharpen chisel blades or other narrower blades – like those found on smaller block planes – you will want to attach the stationary clamps as described above.



## Wide Knives

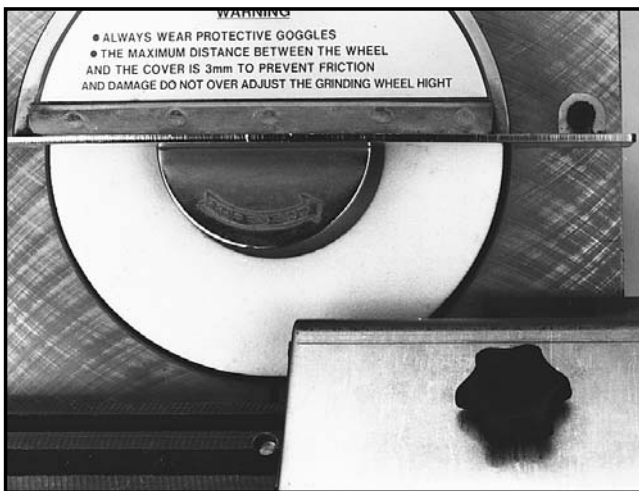
Let's begin by looking at the operation for sharpening planer and jointer blades. The two most important factors that determine the level of success are bevel angle and alignment between the knife and grinding surface. Make sure all adjustments are done with the machine unplugged.

To set up your Model G2790 to handle **wide knives**:

1. Remove the sliding support from the work plate.
2. Loosen the lock knobs that attach the knife lock plate to the sliding knife support and remove the plate.
3. Place the knife, bevel down on the sliding knife support as shown in **Figure 5**.
4. Turn height adjustment knobs until the knife is sitting square on the knife support. (For the best results, make sure the knife is centered on the support. If the knife you intend to sharpen is too short to reach across all three of the inside adjusters, offset the knife so it is centered on two adjusters – note dotted lines on **Figure 5**.)
5. Once the knife is in place and evenly adjusted, replace the knife lock plate and tighten the adjusting knobs.
6. Turn the sliding support assembly over. The bottom of the support is beveled. Adjust the knife with the height adjustment knobs so the knife bevel extends slightly beyond the bevel of the sliding support mechanism. Making adjustments may require loosening the knife lock knobs. Once again, be sure the blade is adjusted evenly from side to side.

G2790 Universal Knife Grinder

7. Place the sliding support on the work plate and turn the pivot adjustment knob until the angle of the knife bevel is parallel to the grinding surface.
8. Raise the grinding wheel, using the hand-wheel at the back of the machine, until the grinding surface makes contact with the knife bevel. (The grinding wheel may need to be lowered to accomplish Step 7.)
9. The grinding wheel should make consistent contact with the knife across the entire length of the bevel. Move the sliding support across the length of the knife. Adjust the knife with the height adjustment knobs, if necessary, to attain proper contact. Make small adjustments and re-test against the grinding wheel frequently to make sure you don't over-compensate.
10. Once you are sure you've made proper bevel and alignment adjustments, lower the grinding wheel slightly and turn on the machine. Move the sliding support so the knife is at the right hand side of the wheel. See **Figure 6**.



**Figure 6.** Placement of sliding support.

## ⚠ CAUTION

Use extreme caution when working near cutting surfaces. Failure to exercise care while working near knives could result in severe injury.

11. Slowly raise the wheel until it lightly contacts the knife bevel. Gently slide the knife across the surface of the grinder. If contact appears to be smooth and consistent between the knife and the grinder, return the sliding support to the right hand side of the grinding wheel, raise the wheel slightly and take a second pass. (A common method for checking proper bevel angle is to mark the entire surface of the knife's bevel with a permanent marker before grinding. Once you make a pass over the grinder, you can inspect the bevel to make sure that the entire surface is being ground evenly. If a portion of the bevel is not being contacted, the ink will remain after the initial pass.)



## Narrow Knives

As with the wider knives, proper adjustment for chisels and other smaller cutting tools requires that bevels and cutting edges be aligned squarely to the grinding surface. To adjust **narrow-edged tools**:

1. Attach the stationary clamps to the pivot plate.
2. Place your cutting tool between the clamps and tighten the tool in place as shown in **Figure 7**.



**Figure 7.** Stationary clamps holding chisel.

3. Adjust the angle knob so the bevel of the cutting tool is flush with the grinding surface.
4. Inspect the cutting edge of the knife. The edge should contact the grinding wheel squarely and consistently. Adjustments can be made by altering the angle of the chisel in the stationary clamps or by loosening the lock bars and moving the entire pivot plate along the table until the knife is square to the grinding wheel.
5. Once you are satisfied with the alignment of the cutter against the grinding wheel, lower the wheel slowly and turn on the machine.
6. Carefully raise the wheel until the grinding surface contacts the blade. Keep in mind that with a dry grinding operation, tools can heat up and lose their temper quickly. Sharpening should be done lightly and for short duration to avoid damage to the tool you're working with. As with the wider blades, you can verify that the cutting tool has been properly ground by applying marker ink to the bevel.



## Other Blades

---

---

Once you are proficient with grinding existing bevel angles, you may want to experiment with other bevel angles which might suit your particular situation. We recommend you carefully research custom bevel angles. There is a narrow line between improving cutting performance and ruining your cutting tools. There are some fine books available which discuss sharpening techniques in detail. Be sure to follow directions closely if you choose to alter factory-set bevels.

### CAUTION

**Planer, jointer and other knives are dangerously sharp. Use extreme caution, particularly after sharpening. Failure to exercise care while working near knives could result in severe injury.**



# SECTION 6: MAINTENANCE

## Wheel Dressing

After a large number of sharpenings, the surface of the grinding wheel will fill with metal residue and grit. When this happens, the wheel should be cleaned or “dressed” with a diamond-tipped dressing tool.

Grizzly’s Model G3092 Dressing Tool is designed specifically for the Model G2790. For price and ordering information, see the latest Grizzly catalog. The optional dressing tool is designed to attach to the dressing tool holder (#19 in the parts diagram at the end of the manual) with the setscrew provided. To dress the Model G2790 grinding wheel:

1. Loosen the table lock lever under the table. Use the handwheel to raise the table.
2. Place the dressing tool holder on the fence above the right side of the grinding wheel and lower the optional diamond cutter through the hole in the holder.
3. Once the diamond-embedded end of the dresser comes in contact with the wheel, tighten the setscrew and move the holder so the diamond tip is just outside of the wheel’s diameter.
4. Turn on the grinder and slowly move the dressing tool across the top face of the stone. Move the dressing tool to the starting position, raise the wheel slightly with the handwheel and repeat.

Several light passes with the dressing tool will produce the best results, with the least amount of wear or damage to the wheel or the dressing tool. The fence will keep the dressing tool from reaching the inside edge of the wheel. Eventually, a ridge will form at that point. This will have no effect on the grinder’s operation.



## Wheel Removal

After prolonged use, you may find it necessary to replace the grinding wheel. The procedure requires a  $\frac{5}{32}$ " wrench. To change the wheel:

1. Remove the fence assembly.
2. Remove the wheel mounting flange.
3. Remove and discard the damaged or worn out wheel and replace with a new wheel. New wheels for the Model G2790 are available through the Grizzly catalog. Check the latest catalog for ordering and price information.
4. Re-mount the flange and fence assembly.

### CAUTION

**Never allow visitors into your shop while assembling, operating, or maintaining tools and machinery. Keep your shop child-safe by locking up securely when not in use, and by providing proper supervision when children are present.**





# SECTION 7: CLOSURE

---

The following pages contain general machine data, parts diagrams/lists, troubleshooting guide and Warranty/Return information for your Model G2790 Universal Knife Grinder.

If you need parts or help in assembling your machine, or if you need operational information, we encourage you to call our Service Department. Our trained service technicians will be glad to help you.

If you have comments dealing specifically with this manual, please write to our Bellingham, Washington location using the address in Section 3: Introduction. The specifications, drawings, and photographs illustrated in this manual represent the Model G2790 as supplied when the manual was prepared. However, due to Grizzly's policy of continuous improvement, changes may be made at any time with no obligation on the part of Grizzly. Whenever possible, though, we send manual updates to all owners of a particular tool or machine. Should you receive one, add the new information to this manual and keep it for reference.

We have included some important safety measures that are essential to this machine's operation. While most safety measures are generally universal, Grizzly reminds you that each workshop is different and safety rules should be considered *as they apply to your specific situation*.

## WARNING

Operating this equipment has the potential for flying debris, which can cause eye injury. Always wear safety glasses or goggles when operating equipment. Everyday glasses or reading glasses only have impact resistant lenses, they are not safety glasses. Be certain the safety glasses you wear meet the appropriate standards of the American National Standards Institute (ANSI).

We recommend you keep a copy of our current catalog for complete information regarding Grizzly's warranty and return policy. If you need additional technical information relating to this machine, or if you need general assistance or replacement parts, please contact the Service Department listed in Section 3: Introduction

Additional information sources are necessary to realize the full potential of this machine. Trade journals, woodworking magazines, and your local library are good places to start.

## WARNING

The Model G2790 was specifically designed for knife grinding. **DO NOT MODIFY AND/OR USE THIS MACHINE FOR ANY OTHER PURPOSE. Modifications or improper use of this tool will void the warranty.** If you are confused about any aspect of this machine, **DO NOT** use it until you have answered all your questions. **Serious personal injury may occur.**

## WARNING

Like all power tools, there is danger associated with the Model G2790 Universal Knife Grinder. Accidents are frequently caused by lack of familiarity or failure to pay attention. Use this tool with respect and caution to lessen the possibility of operator injury. If normal safety precautions are overlooked or ignored, serious personal injury may occur.





# MACHINE DATA SHEET

Customer Service #: (570) 326-3806 • To Order Call: (800) 523-4777 • Fax #: (800) 438-5901

## GRIZZLY MODEL G2790 UNIVERSAL KNIFE GRINDER

Design Type..... Bench Model

### Overall Dimensions:

Height .....13"  
Length .....24"  
Width.....11½"  
Shipping Weight.....69 lbs.  
Net Weight .....55 lbs.  
Box # 1 Size .....20" L x 13" W x 13" H  
Box # 2 Size .....26" L x 5" W x 3" H  
Footprint .....9" x 9"

### Capacities:

Maximum Blade Length.....20"  
Table Tilt.....20° - 70°

### Grinding Wheel Specifications:

Type / Grit.....Type 5, Straight Cup, Vitrified bond/120 Grit  
Diameter .....6"  
Thickness .....1½"  
Bore .....5/8"

### Construction:

Base.....Cast Iron  
Table.....Cast Iron

### Motor:

Type.....TEFC Capacitor Start Induction  
Horsepower .....½ HP  
Amps.....8  
Phase / Voltage .....Single Phase / 110V  
Cycle / RPM.....60 Hertz / 3450 RPM  
Switch.....On / Off Rocker  
Power Transfer .....Direct Drive  
Bearings.....Shielded & Permanently Lubricated

*Specifications, while deemed accurate, are not guaranteed.*

REVISED 5/99

# WARRANTY AND RETURNS

---

Grizzly Industrial, Inc. warrants every product it sells for a period of **1 year** to the original purchaser from the date of purchase. This warranty does not apply to defects due directly or indirectly to misuse, abuse, negligence, accidents, repairs or alterations or lack of maintenance. This is Grizzly's sole written warranty and any and all warranties that may be implied by law, including any merchantability or fitness, for any particular purpose, are hereby limited to the duration of this written warranty. We do not warrant or represent that the merchandise complies with the provisions of any law or acts unless the manufacturer so warrants. In no event shall Grizzly's liability under this warranty exceed the purchase price paid for the product and any legal actions brought against Grizzly shall be tried in the State of Washington, County of Whatcom.

We shall in no event be liable for death, injuries to persons or property or for incidental, contingent, special, or consequential damages arising from the use of our products.

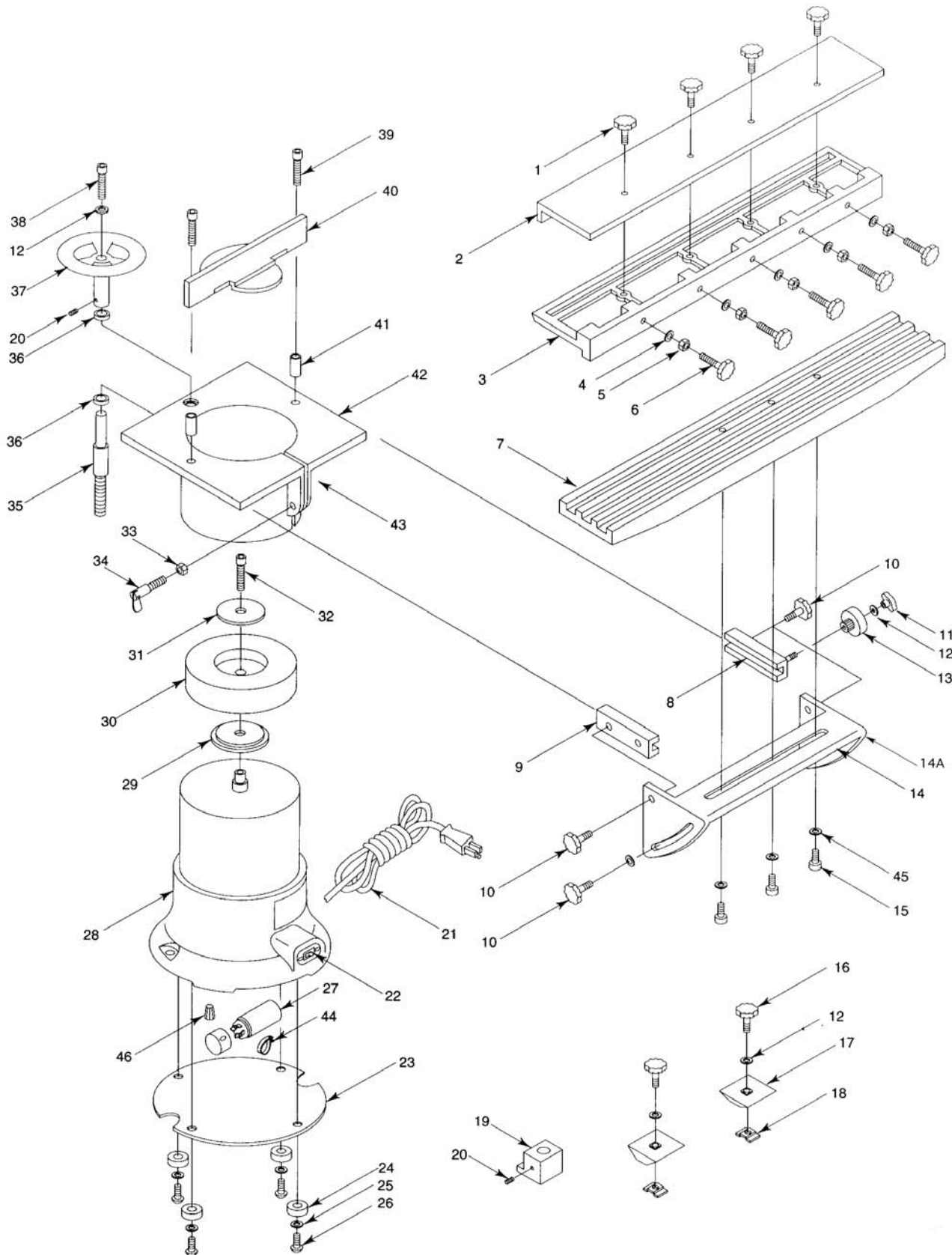
To take advantage of this warranty, contact us by mail or phone and give us all the details. We will then issue you a "Return Number", which must be clearly posted on the outside as well as the inside of the carton. We will not accept any item back without this number. Proof of purchase must accompany the merchandise.

The manufacturers reserve the right to change specifications at any time because they constantly strive to achieve better quality equipment. We make every effort to ensure that our products meet high quality and durability standards and we hope you never need to use this warranty.

Please feel free to write or call us if you have any questions about the machine or the manual.

Thank you again for your business and continued support. We hope to serve you again soon.

# PARTS DIAGRAM



# PARTS LIST

Ref. #	Part #	Description	Ref. #	Part #	Description
001	P2790001	Knob	024	P2790024	Rubber Base Feet
002	P2790002	Knife Lock Plate	025	PW07	Washer $\frac{5}{16}$ "
003	P2790003	Sliding Knife Support	026	PS01	Screw 10 - 24 x $\frac{1}{2}$ "
004	P2790004	O-Ring	027	P2790027	Capacitor
005	PN05	Nut $\frac{1}{4}$ " - 20	028	P2790028	Motor Housing
006	P2790006	Knob	029	P2790029	Inner Flange
007	P2790007	Work Plate	030	G2791	120 Grit Wheel
008	P2790008	Right Lock Bar	031	P2790031	Outer Flange
009	P2790009	Left Lock Bar	032	P2790032	Socket Cap Screw
110	P2790010	Knob	033	PN02	Nut $\frac{5}{16}$ " - 18
011	P2790011	Pivot Knob	034	P2790034	Table Lock Lever
012	PW06	Washer $\frac{1}{4}$ "	035	P2790035	Table Adj. Screw
013	P2790013	Pivot Rotation Knob	036	P2790036	Ball Bearings
014	P2790014	Pivot Plate	037	P2790037	Handwheel
014A	P2790014A	Degree Scale	038	PB02	Hex Bolt $\frac{1}{4}$ " - 20 x $\frac{5}{8}$ "
015	PB09	Hex Bolt $\frac{5}{16}$ " - 18 x $\frac{1}{2}$ "	039	P2790039	Socket Cap Screw
016	P2790016	Tool Clamp Knob	040	P2790040	Fence
017	P2790017	Tool Clamp	041	P2790041	Spacer
018	P2790018	Special Lock Nut	042	P2790042	Table
019	P2790019	Dressing Tool Guide	043	P2790043	Decal
020	PSS02	Setscrew $\frac{5}{16}$ " - 18 x $\frac{3}{8}$ "	044	P2790044	Cord Clip
021	P2790021	Power Cord	045	PW07	Washer $\frac{5}{16}$ "
022	P2790022	Switch	046	PWRN01	Wire Nut
023	P2790023	Cover Plate			

# WARRANTY CARD

Name \_\_\_\_\_  
Street \_\_\_\_\_  
City \_\_\_\_\_ State \_\_\_\_\_ Zip \_\_\_\_\_  
Phone Number \_\_\_\_\_ E-Mail \_\_\_\_\_ FAX \_\_\_\_\_  
MODEL # G2790 Universal Knife Grinder Order # \_\_\_\_\_

The following information is given on a voluntary basis. It will be used for marketing purposes to help us develop better products and services. Of course, all information is strictly confidential.

- How did you learn about us?  
 Advertisement  Friend  
 Catalog  Card Deck  
 World Wide Web  
 Other \_\_\_\_\_
- Which of the following magazines do you subscribe to.  
 American Woodworker  Practical Homeowner  
 Cabinetmaker  Shop Notes  
 Family Handyman  Today's Homeowner  
 Fine Homebuilding  WOOD  
 Fine Woodworking  Wooden Boat  
 Home Handyman  Woodshop News  
 Journal of Light Construction  Woodsmith  
 Old House Journal  Woodwork  
 Popular Mechanics  Woodworker  
 Popular Science  Woodworker's Journal  
 Popular Woodworking  Workbench  
 Other \_\_\_\_\_
- Which of the following woodworking/remodeling shows do you watch?  
 Backyard America  The New Yankee Workshop  
 Home Time  This Old House  
 The American Woodworker  Woodwright's Shop  
 Other \_\_\_\_\_
- What is your annual household income?  
 \$20,000-\$29,999  \$60,000-\$69,999  
 \$30,000-\$39,999  \$70,000-\$79,999  
 \$40,000-\$49,999  \$80,000-\$89,999  
 \$50,000-\$59,999  \$90,000 +
- What is your age group?  
 20-29  50-59  
 30-39  60-69  
 40-49  70 +
- How long have you been a woodworker?  
 0 - 2 Years  8 - 20 Years  
 2 - 8 Years  20+ Years
- How would you rank your woodworking skills?  
 Simple  Advanced  
 Intermediate  Master Craftsman
- What stationary woodworking tools do you own? Check all that apply.  
 Air Compressor  Panel Saw  
 Band Saw  Planer  
 Drill Press  Power Feeder  
 Drum Sander  Radial Arm Saw  
 Dust Collector  Shaper  
 Horizontal Boring Machine  Spindle Sander  
 Jointer  Table Saw  
 Lathe  Vacuum Veneer Press  
 Mortiser  Wide Belt Sander  
 Other \_\_\_\_\_
- How many of your woodworking machines are Grizzly? \_\_\_\_\_
- Which benchtop tools do you own? Check all that apply.  
 1" x 42" Belt Sander  6" - 8" Grinder  
 5" - 8" Drill Press  Mini Lathe  
 8" Table Saw  10" - 12" Thickness Planer  
 8" - 10" Bandsaw  Scroll Saw  
 Disc/Belt Sander  Spindle/Belt Sander  
 Mini Jointer  
 Other \_\_\_\_\_
- How many of the machines checked above are Grizzly? \_\_\_\_\_
- Which portable/hand held power tools do you own? Check all that apply.  
 Belt Sander  Orbital Sander  
 Biscuit Joiner  Palm Sander  
 Circular Saw  Portable Planer  
 Detail Sander  Saber Saw  
 Drill/Driver  Reciprocating Saw  
 Miter Saw  Router  
 Other \_\_\_\_\_
- What machines/supplies would you like Grizzly Industrial to carry?  
 12" Table Saw  Radial Arm Saw  
 12" Jointer  Panel Saw  
 Combination Planer/Jointer  Brass Hardware  
 Paint & Finishing Supplies  Lumber  
 Contractor's Supplies  
 Other \_\_\_\_\_
- What new accessories would you like Grizzly Industrial to carry?  
 Builders Hardware  Hand Tools  
 Fasteners  Wood Components  
 Other \_\_\_\_\_
- What other companies do you purchase your tools and supplies from?  
\_\_\_\_\_  
\_\_\_\_\_
- Do you think your purchase represents good value?  
 Yes  No
- Would you recommend Grizzly Imports to a friend?  
 Yes  No
- Would you allow us to use your name as a reference for Grizzly customers in your area? **Note: We never use names more than three times.**  
 Yes  No
- Comments: \_\_\_\_\_  
\_\_\_\_\_  
\_\_\_\_\_

FOLD ALONG DOTTED LINE

---

---

---

---

Place  
Stamp  
Here



**GRIZZLY INDUSTRIAL, INC.  
P.O. BOX 2069  
BELLINGHAM, WA 98227-2069**

---

FOLD ALONG DOTTED LINE

Send a Grizzly Catalog to a friend:

Name _____
Street _____
City _____ State _____ Zip _____

TAPE ALONG EDGES--PLEASE DO NOT STAPLE

## Free Manuals Download Website

<http://myh66.com>

<http://usermanuals.us>

<http://www.somanuals.com>

<http://www.4manuals.cc>

<http://www.manual-lib.com>

<http://www.404manual.com>

<http://www.luxmanual.com>

<http://aubethermostatmanual.com>

Golf course search by state

<http://golfingnear.com>

Email search by domain

<http://emailbydomain.com>

Auto manuals search

<http://auto.somanuals.com>

TV manuals search

<http://tv.somanuals.com>