



MODEL G5786 5" AIR ANGLE GRINDER INSTRUCTION SHEET





| | |
|--|--|
| ⚠ WARNING | |
|  | EYE/EAR INJURY HAZARD! Wear safety glasses and hearing protection during use of this tool! |
|  | INJURY HAZARD! Always disconnect tool from air to prevent unexpected operation during service! |
|  | EXPLOSION HAZARD! Never exceed 120 PSI! Always use accessories with correct speed rating. |
|  | RESPIRATORY HAZARD! Grinding produces fine dust. Wear the appropriate protection during use! |



Figure 1. Model G5786.

Angle Grinder MUST have 3-4 drops of oil directly dropped into the air fitting before each use as shown in **Figure 2**.

Introduction

This 11,000 RPM Angle Grinder features a large paddle switch with safety mechanism and side handle for super control. G5786 has 7/8" arbor. Includes two wrenches. Weighs 5 lbs.

Inventory

- A. 5" Air Angle Grinder 1
- B. Handle 1
- C. Flat Wrench 1
- D. Pin Wrench 1

Operation

Tool requires 90 PSI and 1/4" NPT air fitting to operate correctly.

Make sure grinding wheel is backed by flange and tightened securely with the flange nut.

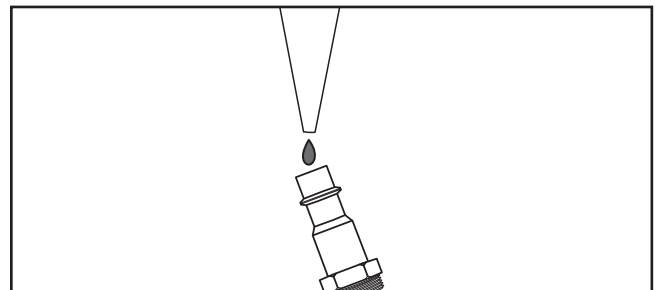


Figure 3. Lubricating directly into air fitting.

If you need help with your new pneumatic tool, call our Tech Support at: (570) 546-9663.

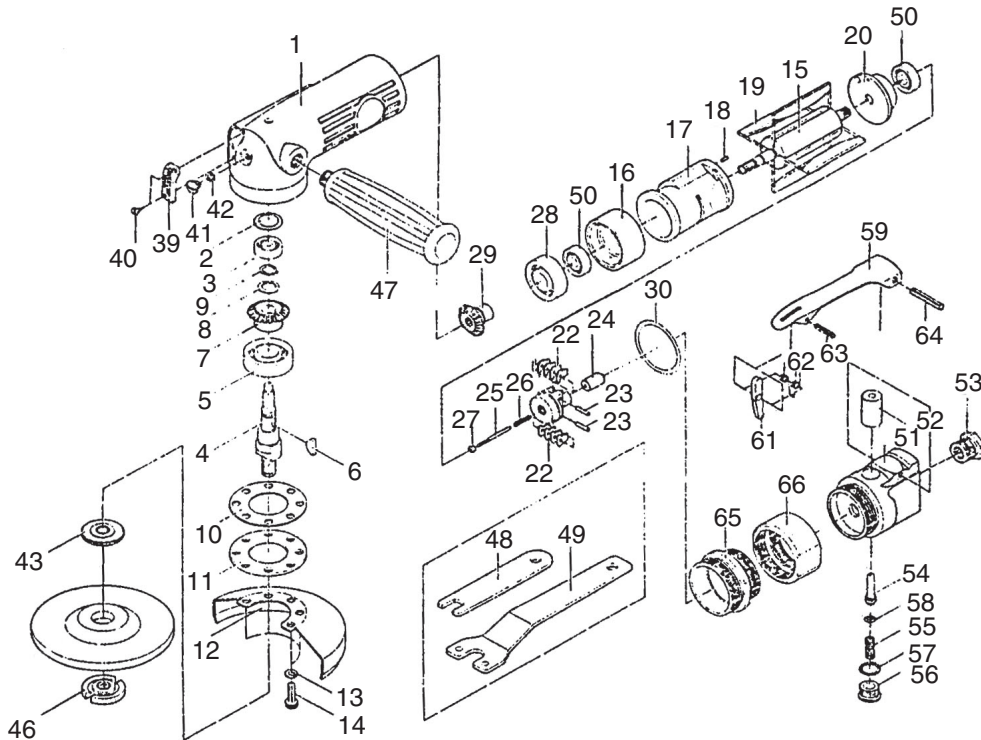
Grinding Wheels

- Model H4790 5 x 1/8"
- Model H4791 5 x 1/4"

Call 1-800-523-4777 To Order

COPYRIGHT © FEBRUARY, 2006 BY GRIZZLY INDUSTRIAL, INC.
WARNING: NO PORTION OF THIS MANUAL MAY BE REPRODUCED IN ANY SHAPE OR FORM WITHOUT THE WRITTEN APPROVAL OF GRIZZLY INDUSTRIAL, INC.
 #PC8032 PRINTED IN TAIWAN

G5786 Parts Breakdown and List



| REF | PART # | DESCRIPTION |
|-----|----------|--------------------------|
| 1 | P5786001 | MOTOR HOUSING |
| 2 | P5786002 | SEAL PLATE |
| 3 | P5786003 | BALL BEARING |
| 4 | P5786004 | ARBOR |
| 5 | P5786005 | BALL BEARING |
| 6 | P5786006 | WOODRUFF KEY |
| 7 | P5786007 | BEVEL GEAR |
| 8 | P5786008 | WAVE WASHER |
| 9 | P5786009 | EXTERNAL STOP RING |
| 10 | P5786010 | GASKET |
| 11 | P5786011 | RETAINER |
| 12 | P5786012 | CENTER WHEEL GUARD |
| 13 | P5786013 | SPRING WASHER |
| 14 | P5786014 | HEX SOCKET HEAD CAP BOLT |
| 15 | P5786015 | ROTOR |
| 16 | P5786016 | FRONT END PLATE |
| 17 | P5786017 | CYLINDER |
| 18 | P5786018 | SPRING PIN |
| 19 | P5786019 | ROTOR BLADE |
| 20 | P5786020 | REAR END PLATE |
| 22 | P5786022 | PENDULUM |
| 23 | P5786023 | SPRING PIN |
| 24 | P5786024 | PLUNGER |
| 25 | P5786025 | ADJUSTMENT SCREW |
| 26 | P5786026 | SPRING |
| 27 | P5786027 | ADJUSTMENT NUT |
| 28 | P5786028 | BALL BEARING |
| 29 | P5786029 | BEVEL PINION |

| REF | PART # | DESCRIPTION |
|-----|----------|------------------------|
| 30 | P5786030 | O-RING |
| 39 | P5786039 | EXHAUST DEFLECTOR |
| 40 | P5786040 | TAPPING SCREW |
| 41 | P5786041 | PLUG |
| 42 | P5786042 | O-RING |
| 43 | P5786043 | FLANGE |
| 45 | P5786045 | GRINDING WHEEL |
| 46 | P5786046 | FLANGE NUT |
| 47 | P5786047 | HANDLE |
| 48 | P5786048 | FLAT WRENCH |
| 49 | P5786049 | PIN WRENCH |
| 50 | P5786050 | BALL BEARING |
| 51 | P5786051 | THROTTLE VALVE HOUSING |
| 52 | P5786052 | BUSHING |
| 53 | P5786053 | AIR INLET BUSHING |
| 54 | P5786054 | VALVE STEM |
| 55 | P5786055 | VALVE SPRING |
| 56 | P5786056 | CAP |
| 57 | P5786057 | O-RING |
| 58 | P5786058 | O-RING |
| 59 | P5786059 | THROTTLE LEVER |
| 61 | P5786061 | THROTTLE LEVER LOCK |
| 62 | P5786062 | TORSION SPRING |
| 63 | P5786063 | SPRING PIN |
| 64 | P5786064 | SPRING PIN |
| 65 | P5786065 | LOCK RING |
| 66 | P5786066 | COUPLING NUT |

Free Manuals Download Website

<http://myh66.com>

<http://usermanuals.us>

<http://www.somanuals.com>

<http://www.4manuals.cc>

<http://www.manual-lib.com>

<http://www.404manual.com>

<http://www.luxmanual.com>

<http://aubethermostatmanual.com>

Golf course search by state

<http://golfingnear.com>

Email search by domain

<http://emailbydomain.com>

Auto manuals search

<http://auto.somanuals.com>

TV manuals search

<http://tv.somanuals.com>