

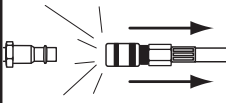


MODEL G5346 1/2" AIR IMPACT WRENCH INSTRUCTION SHEET

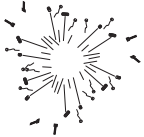
⚠ WARNING



EYE INJURY HAZARD!
Always wear safety glasses during use to prevent serious personal injury!



INJURY HAZARD!
Always disconnect tool from air to prevent unexpected operation during service!



EXPLOSION HAZARD!
Never exceed 120 PSI!



Figure 1. Model G5346.

Introduction

Delivering 7000 RPM and a maximum torque of 230 ft/lbs., this 1/2" Impact Wrench is an excellent choice for anyone seeking professional quality and performance. This pressure adjustable wrench offers forward and reverse at you fingertips and rubber bumpers for protection. Sockets not included.

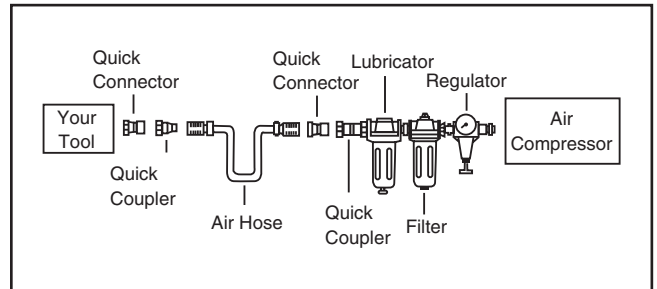


Figure 2. Installing your tool.

Inventory

- A. Air Impact Wrench..... 1

Operation

Tool requires 90 PSI to operate correctly.

To improve tool lifespan, use a filter/lubricator/regulator as shown in **Figure 2**. Otherwise, lubricate daily with a couple drops of pneumatic tool oil directly into the air fitting as shown in **Figure 3**.

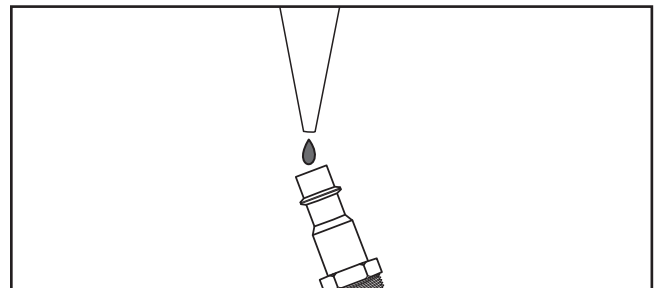


Figure 3. Lubricating directly into air fitting.

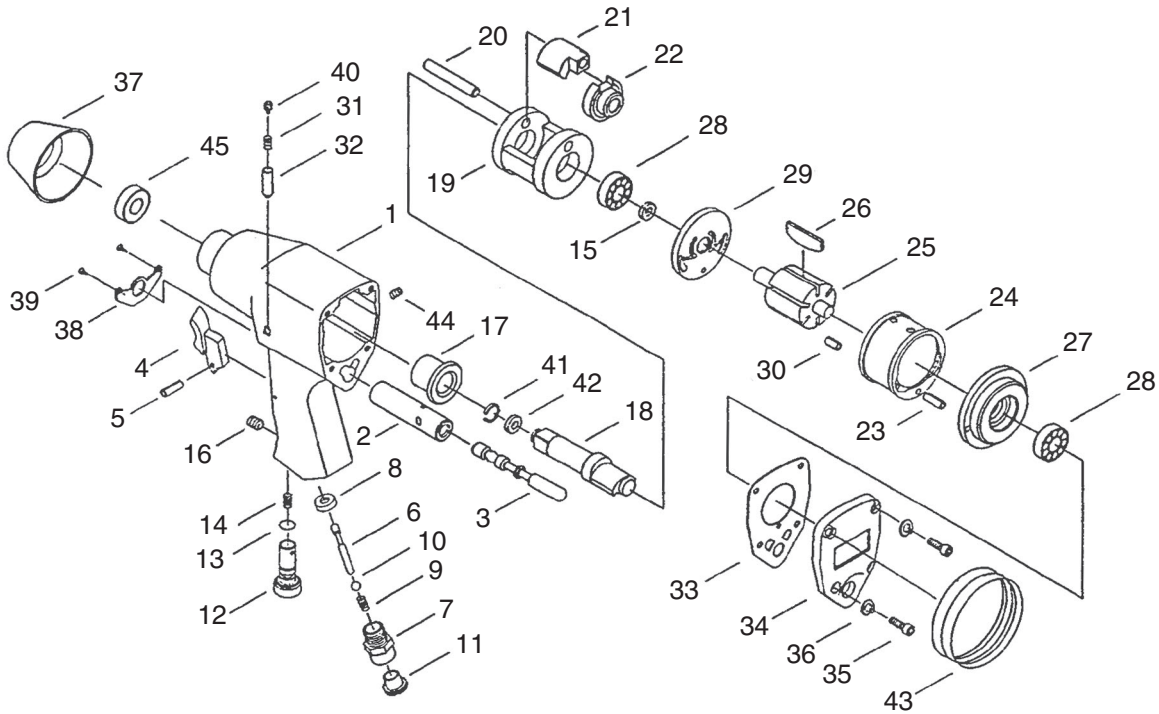
If you need help with your new pneumatic tool, call our Tech Support at: (570) 546-9663.

COPYRIGHT © FEBRUARY, 2006 BY GRIZZLY INDUSTRIAL, INC.

WARNING: NO PORTION OF THIS MANUAL MAY BE REPRODUCED IN ANY SHAPE OR FORM WITHOUT THE WRITTEN APPROVAL OF GRIZZLY INDUSTRIAL, INC.

#PC8045 PRINTED IN TAIWAN

G5346 Parts Breakdown and List



REF	PART #	DESCRIPTION
1	P5346001	HOUSING
2	P5346002	VALVE BUSHING
3	P5346003	REVERSE VALVE
4	P5346004	TRIGGER
5	P5346005	PIN
6	P5346006	VALVE STEM
7	P5346007	AIR INLET
8	P5346008	BALL SEAT
9	P5346009	COMPRESSION SPRING
10	P5346010	STEEL BALL
11	P5346011	COVER
12	P5346012	AIR REGULATOR
13	P5346013	O-RING
14	P5346014	COMPRESSION SPRING
15	P5346015	OIL SEAL
16	P5346016	SCREW
17	P5346017	BUSHING
18	P5346018	ANVIL
19	P5346019	HAMMER CAGE
20	P5346020	HAMMER PIN
21	P5346021	HAMMER DOG
22	P5346022	DRIVE CAM
23	P5346023	PIN

REF	PART #	DESCRIPTION
24	P5346024	CYLINDER
25	P5346025	ROTOR
26	P5346026	ROTOR BLADE
27	P5346027	REAR END PLATE
28	P6001	BALL BEARING 6001
29	P5346029	FRONT END PLATE
30	P5346030	PIN
31	P5346031	COMPRESSION SPRING
32	P5346032	PIN
33	P5346033	GASKET
34	P5346034	REAR COVER
35	P5346035	SCREW
36	P5346036	SPRING WASHER
37	P5346037	FRONT RUBBER
38	P5346038	EXHAUST DEFLECTOR
39	P5346039	SCREW
40	P5346040	SCREW
41	P5346041	ANVIL COLLAR
42	P5346042	O-RING
43	P5346043	RUBBER
44	P5346044	SCREW
45	P5346045	OIL SEAL

Free Manuals Download Website

<http://myh66.com>

<http://usermanuals.us>

<http://www.somanuals.com>

<http://www.4manuals.cc>

<http://www.manual-lib.com>

<http://www.404manual.com>

<http://www.luxmanual.com>

<http://aubethermostatmanual.com>

Golf course search by state

<http://golfingnear.com>

Email search by domain

<http://emailbydomain.com>

Auto manuals search

<http://auto.somanuals.com>

TV manuals search

<http://tv.somanuals.com>