

Grizzly Industrial, Inc.®

MODEL G5791/G5792 17-PIECE ½" IMPACT WRENCH & RATCHET KIT INSTRUCTION MANUAL



COPYRIGHT © MAY, 2008 BY GRIZZLY INDUSTRIAL, INC.
WARNING: NO PORTION OF THIS MANUAL MAY BE REPRODUCED IN ANY SHAPE
OR FORM WITHOUT THE WRITTEN APPROVAL OF GRIZZLY INDUSTRIAL, INC.
#JM10705 PRINTED IN TAIWAN

SAFETY

WARNING

For Your Own Safety Read Instruction Manual Before Operating This Equipment

The purpose of safety symbols is to attract your attention to possible hazardous conditions. This manual uses a series of symbols and signal words which are intended to convey the level of importance of the safety messages. The progression of symbols is described below. Remember that safety messages by themselves do not eliminate danger and are not a substitute for proper accident prevention measures.



Indicates an imminently hazardous situation which, if not avoided, **WILL** result in death or serious injury.



Indicates a potentially hazardous situation which, if not avoided, **COULD** result in death or serious injury.



Indicates a potentially hazardous situation which, if not avoided, **MAY** result in minor or moderate injury. It may also be used to alert against unsafe practices.

NOTICE

This symbol is used to alert the user to useful information about proper operation of the equipment.

WARNING

Safety Instructions For Pneumatic Tools

- 1. READ THIS MANUAL.** This tool may cause personal injury if used incorrectly. This manual contains proper safety and operating instructions that must be followed to reduce this risk.
- 2. WEAR EYE PROTECTION.** This tool may throw small fragments during operation, which may cause serious eye injury. Always wear ANSI approved safety glasses or face shield to reduce your risk from this hazard.
- 3. WEAR A RESPIRATOR.** This tool may produce fine dust during operation, which can cause respiratory injury if inhaled. Always wear a respirator NIOSH approved for the type of material being processed.
- 4. WEAR HEARING PROTECTION.** Operating this tool for prolonged time periods may damage your hearing. Your risk depends on length and frequency of use. To reduce your risk of this hazard, wear hearing protection.
- 5. MAINTAIN SAFETY GUARDS.** Your tool may be equipped with safety guards or other structural components designed to reduce the risk of injury during operation. Never modify or operate this tool with any guards or components removed or damaged.
- 6. KEEP CHILDREN AWAY.** Prevent children from injury by keeping them away from this tool. Disconnect and lock the tool away when not in use.

7. **AVOID ENTANGLEMENTS.** Do not wear loose clothing, gloves, neckties, rings, bracelets, or other jewelry, which may get caught in moving parts, when operating this tool. Wear a protective hair covering to contain long hair.
8. **USE CORRECT AIR PRESSURE.** Exceeding the maximum PSI rating of this tool may cause unpredictable operation or bursting.
9. **DISCONNECT AIR PRESSURE** before servicing, changing accessories, or moving to another location. Never leave this tool unattended when connected to air.
10. **SECURE TOOLING.** Always verify tooling is secure before operation.
11. **SHARP SURFACES.** DO NOT place hands near the tooling surfaces when in operation.
12. **REMOVE ADJUSTING KEYS AND WRENCHES AFTER USE.** These tools become dangerous projectiles if left on the tool when it is started.
13. **AVOID FLAMMABLES.** Do not use this tool around any flammables that may be ignited by sparks.
14. **SECURE WORK.** Use clamps or a vise to hold work when practical. It is safer than using your hand and frees both hands to operate tool.
15. **MAINTAIN TOOLS WITH CARE.** Keep tools lubricated and clean for best and safest performance. Follow instructions for lubricating and changing accessories.
16. **DO NOT FORCE TOOL.** It will do the job better and safer at the rate for which it was designed.
17. **CHECK FOR DAMAGED PARTS BEFORE USING.** Check for binding and alignment of parts, broken parts, part mounting, loose bolts, and any other conditions that may affect operation. Repair or replace damaged parts before operating.
18. **USE GOOD LIGHTING.** Keep work area well lighted. Dark work areas increase risk of accidental injury.
19. **AVOID UNINTENTIONAL OPERATION.** Always disconnect air when not in use, and do not carry tool with hand on trigger.
20. **USE THE RECOMMENDED ACCESSORIES.** Consult owner's manual for recommended accessories. Using improper accessories may increase the risk of injury.
21. **NEVER ALLOW UNTRAINED USERS TO USE THIS TOOL WHILE UNSUPERVISED.**
22. **IF YOU ARE UNSURE OF THE INTENDED OPERATION, STOP USING TOOL.** Seek formal training or research books or magazines that specialize in pneumatic tools.
23. **BE AWARE OF HOSE LOCATION.** Hoses can easily become a tripping hazard when laid across the floor in a disorganized fashion.
24. **DO NOT USE UNDER THE INFLUENCE OF DRUGS OR ALCOHOL, OR WHEN TIRED.**

CAUTION

No list of safety guidelines is complete, because every work environment is different. Always consider safety first and use common sense. Failure to use this tool with caution and respect could result in serious personal injury.

Inventory

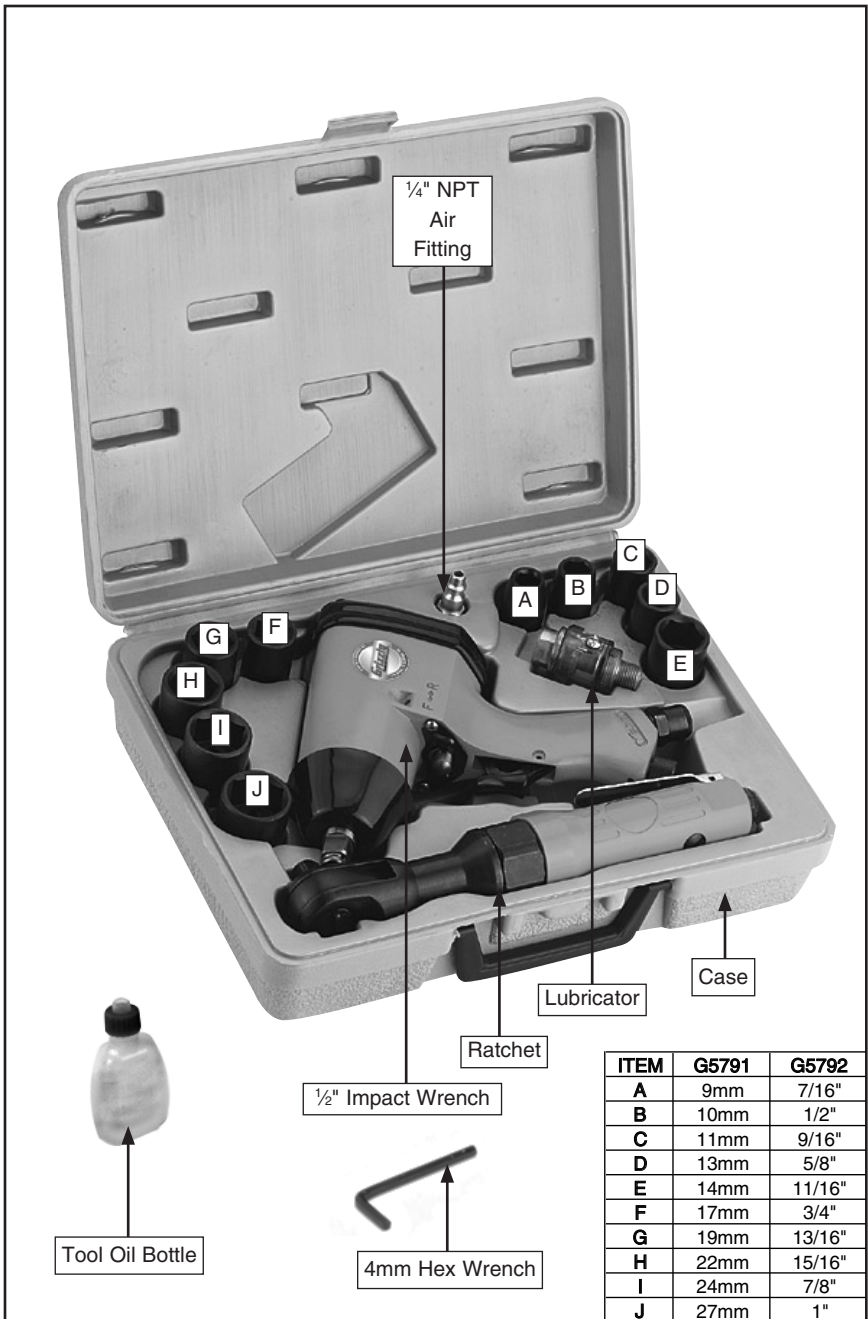
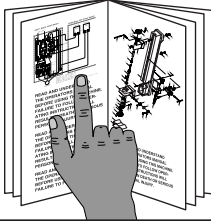


Figure 1. Model G5791/G5792 inventory.

OPERATIONS

!WARNING

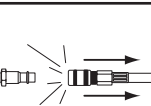


Read the manual before operation. Become familiar with this tool, its safety instructions, and its operation before beginning any work. Serious personal injury may result if safety or operational information is not understood or followed.

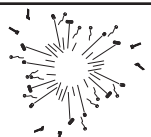
!WARNING



LUNG/EAR INJURY HAZARD!
Wear protective equipment when using this tool.



ACCIDENTAL START HAZARD!
Disconnect before service or tool changes.



AIR PRESSURE HAZARD!
Never exceed 120 PSI.



EYE INJURY HAZARD!
Wear protective equipment when using these tools.

Impact Wrench Specifications

Drive Size 1/2"
Bolt Size Capacity 5/8" or 16mm
No-Load Speed 7,000 RPM
Maximum Torque 260 ft/lb
Air Inlet Size 1/4" NPT
Air Consumption 4.5 CFM
Operating Pressure 90 PSI
Maximum Operating Pressure 120 PSI
Weight 3 lbs

Ratchet Specifications

Drive Size 1/2"
No-Load Speed 160 RPM
Maximum Torque 50 ft/lb
Air Inlet Size 1/4" NPT
Air Consumption 4 CFM
Operating Pressure 90 PSI
Maximum Operating Pressure 120 PSI
Weight 1.5 lbs

Air Supply

The impact wrench and ratchet requires 90 PSI to operate correctly. To improve air tool lifespan, use the filter/lubricator/regulator setup shown in **Figure 2**, or install the included in-line lubricator directly to the air line.

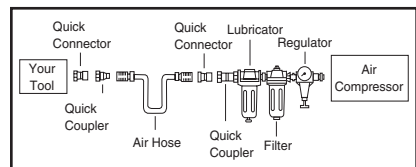


Figure 2. Installed filter lubricator regulator.

Impact Wrench

Your new 1/2" drive impact wrench (**Figure 3**) generates up to 260 ft/lbs. of torque.

Only use thick-walled impact sockets with this air tool. The common thin-walled chrome sockets may explode if used as impact sockets, causing serious injury.

At the end of the handle you can adjust the torque setting by pushing the knob in and turning the knob to 1, 2, 3, or 4; 1 is the lowest torque setting.

To change the impact rotation, push the slide button toward the front of the gun for clockwise rotation and to the rear for counterclockwise rotation.

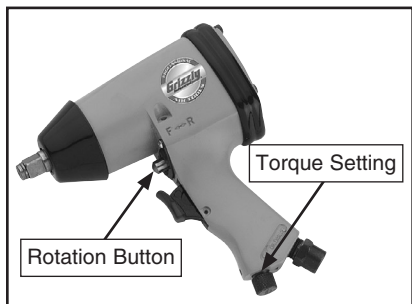


Figure 3. Impact wrench control locations.

Ratchet

Your new ratchet (**Figure 4**) generates up to 50 ft/lbs. of torque and delivers up to 160 RPM.

To change the rotation, adjust the forward/reverse dial, as shown in **Figure 4**.

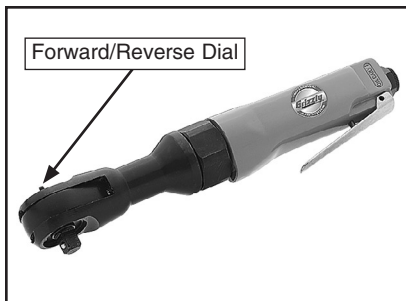


Figure 4. Ratchet locations.

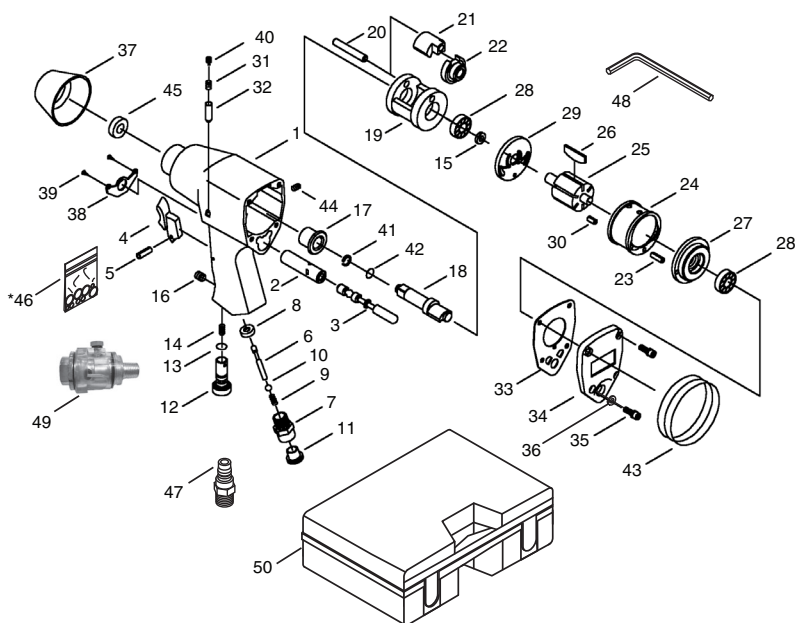
Daily Maintenance

Your impact wrench and ratchet **MUST** have 2-6 drops of oil directly dropped into the air fitting before each use. In addition, we recommend using an in-line filter, lubricator, and regulator, as shown in **Figure 2** or the included in-line lubricator. If an in-line lubricator is not used, add 2-3 drops of oil into the tool air inlet every 2 hours of continued use.

These procedures should be done after each use:

- Before putting the impact wrench or ratchet away, put 2-6 drops of oil into the air supply fitting and momentarily operate the tool to distribute the oil inside.
- Wipe the tool exterior and sockets with a slightly oiled cloth. Your goal is to leave a light film of oil on the tools to prevent rust.

IMPACT WRENCH

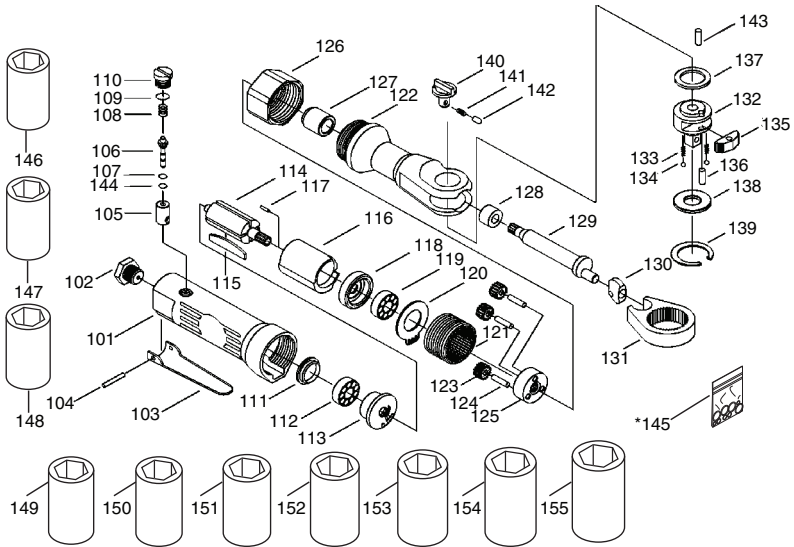


REF PART #	DESCRIPTION
1	P5791001 HOUSING
2	P5791002 VALVE BUSHING
3	P5791003 REVERSE VALVE
4	P5791004 TRIGGER
5	P5791005 ROLL PIN
6	P5791006 VALVE STEM
7	P5791007 AIR INLET 1/4 NPT
8	P5791008 BALL SEAT
9	P5791009 COMPRESSION SPRING
10	P5791010 STEEL BALL
11	P5791011 AIR COVER
12	P5791012 AIR REGULATOR
13	P5791013 O-RING
14	P5791014 COMPRESSION SPRING
15	P5791015 REAR OIL SEAL
16	P5791016 SET SCREW
17	P5791017 BUSHING
18	P5791018 ANVIL 1/2" DRIVE
19	P5791019 HAMMER CAGE
20	P5791020 HAMMER PIN
21	P5791021 HAMMER DOG
22	P5791022 DRIVE CAM
23	P5791023 ROLL PIN
24	P5791024 CYLINDER
25	P5791025 ROTOR

REF PART #	DESCRIPTION
26	P5791026 ROTOR BLADE
27	P5791027 REAR CYLINDER PLATE
28	P5791028 BALL BEARING
29	P5791029 FRONT CYLINDER PLATE
30	P5791030 ROLL PIN
31	P5791031 COMPRESSION SPRING
32	P5791032 PIN
33	P5791033 GASKET
34	P5791034 REAR COVER
35	P5791035 CAP SCREW
36	P5791036 LOCK WASHER
37	P5791037 FRONT RUBBER
38	P5791038 EXHAUST DEFLECTOR
39	P5791039 PHLP HD SCREW
40	P5791040 PILOT SET SCREW
41	P5791041 ANVIL COLLAR
42	P5791042 O-RING
43	P5791043 REAR RUBBER BUMPER
44	P5791044 SET SCREW
45	P5791045 FRONT OIL SEAL
*46	P5791046 O-RING KIT
47	P5791047 AIR FITTING 1/4 NPT MALE
48	PAW04M HEX WRENCH 4MM
49	P5791049 IN-LINE LUBRICATOR
50	P5791050 CARRYING CASE

* Not Included with impact wrench or ratchet; for aftermarket purchase only

RATCHET



REF	PART #	DESCRIPTION
101	P5791101	HOUSING
102	P5791102	AIR INLET
103	P5791103	THROTTLE LEVER
104	P5791104	ROLL PIN
105	P5791105	VALVE BUSHING
106	P5791106	VALVE STEM
107	P5791107	O-RING
108	P5791108	COMPRESSION SPRING
109	P5791109	O-RING
110	P5791110	VALVE PLUG
111	P5791111	END PLATE CAP
112	P5791112	REAR BEARING
113	P5791113	REAR PLATE
114	P5791114	ROTOR
115	P5791115	ROTOR BLADE
116	P5791116	CYLINDER
117	P5791117	CYLINDER PIN
118	P5791118	FRONT PLATE
119	P5791119	FRONT BEARING
120	P5791120	SPECIAL WASHER
121	P5791121	THREAD RING GEAR
122	P5791122	RATCHET HOUSING
123	P5791123	IDLER GEAR

G5791 SOCKETS

REF	PART #	DESCRIPTION
146	P5791146	SOCKET 1/2 DRV X 9
147	P5791147	SOCKET 1/2 DRV X 10
148	P5791148	SOCKET 1/2 DRV X 11
149	P5791149	SOCKET 1/2 DRV X 13
150	P5791150	SOCKET 1/2 DRV X 14
151	P5791151	SOCKET 1/2 DRV X 17
152	P5791152	SOCKET 1/2 DRV X 19
153	P5791153	SOCKET 1/2 DRV X 22
154	P5791154	SOCKET 1/2 DRV X 24
155	P5791155	SOCKET 1/2 DRV X 27

REF	PART #	DESCRIPTION
124	P5791124	IDLER GEAR PIN
125	P5791125	IDLER GEAR PLATE
126	P5791126	CLAMP NUT
127	P5791127	BUSHING
128	P5791128	BUSHING
129	P5791129	CRANK SHAFT
130	P5791130	DRIVE BUSHING
131	P5791131	RATCHET YOKE
132	P5791132	RATCHET ANVIL 1/2" DRIVE
133	P5791133	COMPRESSION SPRING
134	P5791134	STEEL BALL
135	P5791135	PAWL
136	P5791136	ANVIL PIN
137	P5791137	FLAT WASHER
138	P5791138	THRUST WASHER
139	P5791139	INT RETAINING RING
140	P5791140	FORWARD/REVERSE DIAL
141	P5791141	COMPRESSION SPRING
142	P5791142	LOCK PIN
143	P5791143	ROLL PIN
144	P5791144	O-RING
*145	P5791145	O-RING KIT

G5792 SOCKETS

REF	PART #	DESCRIPTION
146	P5792146	SOCKET 1/2 DRV X 7/16
147	P5792147	SOCKET 1/2 DRV X 1/2
148	P5792148	SOCKET 1/2 DRV X 9/16
149	P5792149	SOCKET 1/2 DRV X 5/8
150	P5792150	SOCKET 1/2 DRV X 11/16
151	P5792151	SOCKET 1/2 DRV X 3/4
152	P5792152	SOCKET 1/2 DRV X 13/16
153	P5792153	SOCKET 1/2 DRV X 15/16
154	P5792154	SOCKET 1/2 DRV X 7/8
155	P5792155	SOCKET 1/2 DRV X 1

Free Manuals Download Website

<http://myh66.com>

<http://usermanuals.us>

<http://www.somanuals.com>

<http://www.4manuals.cc>

<http://www.manual-lib.com>

<http://www.404manual.com>

<http://www.luxmanual.com>

<http://aubethermostatmanual.com>

Golf course search by state

<http://golfingnear.com>

Email search by domain

<http://emailbydomain.com>

Auto manuals search

<http://auto.somanuals.com>

TV manuals search

<http://tv.somanuals.com>