



MODEL H5382

1½ HP ELECTRIC MOTOR

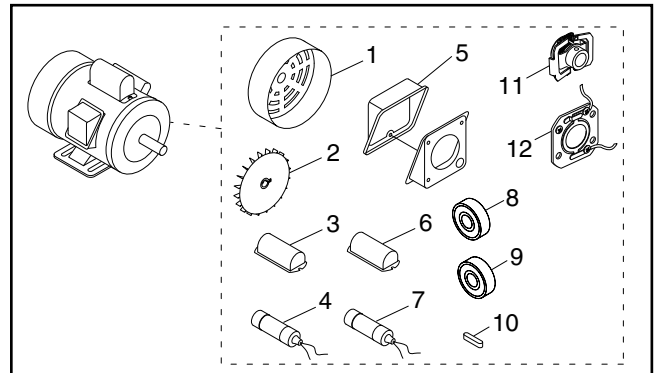
INSTRUCTIONS

For questions or help with this product contact Tech Support at (570) 546-9663 or techsupport@grizzly.com

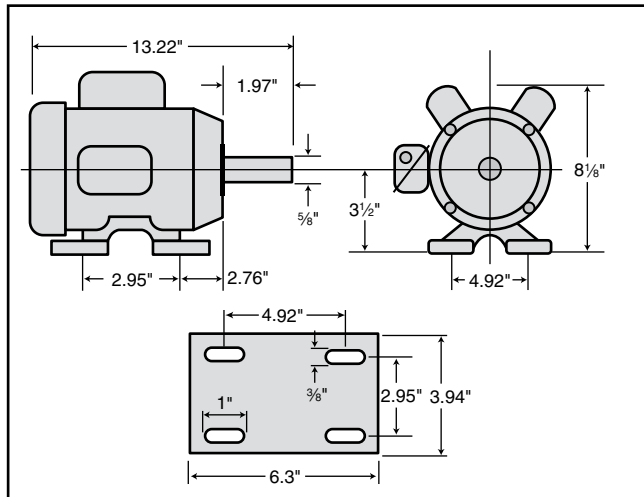
Model H5382 Specifications

Power..... 1½ HP
 Cycle..... 60 Hz
 Voltage..... 110V/220V
 Prewired 110V
 Amps 15.6A/7.8A
 Speed 3450 RPM
 Phase Single-Phase
 Class..... B
 Start Capacitor 400MFD 125VAC
 Dimensions..... 1¾"D x 3⅜"L
 Run Capacitor..... 25MFD 250VAC
 Dimensions..... 1⅜"D x 2⅜"L

Replaceable Parts




REF	PART #	DESCRIPTION
1	PH5382001	MOTOR FAN COVER
2	PH5382002	MOTOR FAN
3	PH5382003	S CAPACITOR COVER
4	PH5382004	S CAPACITOR 400M 125V 1-3/4 X 3-3/8
5	PH5382005	JUNCTION BOX
6	PH5382006	R CAPACITOR COVER
7	PH5382007	R CAPACITOR 25M 250V 1-3/8 X 2-3/8
8	PH5382008	BALL BEARING 6202ZZ
9	PH5382009	BALL BEARING 6203ZZ
10	PH5382010	KEY 5 X 5 X 35
11	PH5382011	CENTRIFUGAL SWITCH 3450 RPM
12	PH5382012	CONTACT PLATE

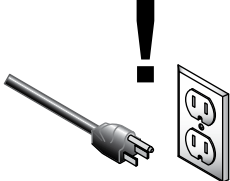


Making Wire Connections

If you are unsure how to attach wires to terminals, DO NOT continue. Contact an electrician for assistance. Connecting wires improperly may cause them to come loose or contact other wires, which can cause electrocution, fire, or a short.



⚠ WARNING
 Electrocution or fire could result if this motor is not grounded correctly or if your wire connections do not comply with local and state codes. Ensure compliance by checking with an electrician!



⚠ WARNING
 Disconnect power when replacing motor. Failure to do this may result in serious personal injury.

COPYRIGHT © NOVEMBER, 2013 BY GRIZZLY INDUSTRIAL, INC.
 NO PORTION OF THIS MANUAL MAY BE REPRODUCED IN ANY SHAPE
 OR FORM WITHOUT THE WRITTEN APPROVAL OF GRIZZLY INDUSTRIAL, INC.
 FOR MODELS MANUFACTURED SINCE 12/03 #DM16088 PRINTED IN TAIWAN

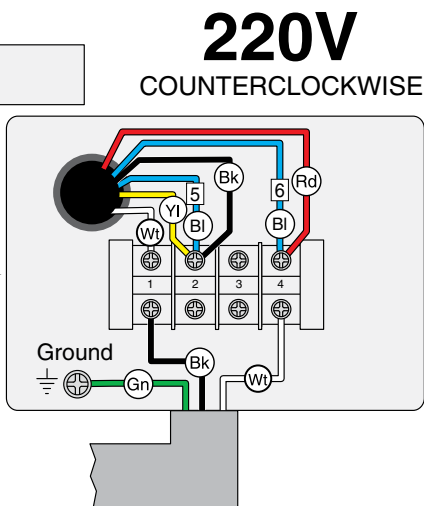
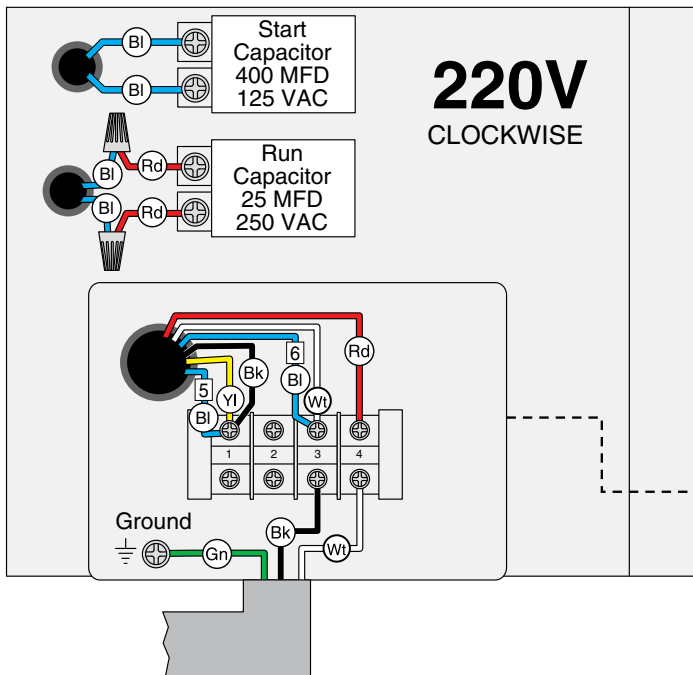
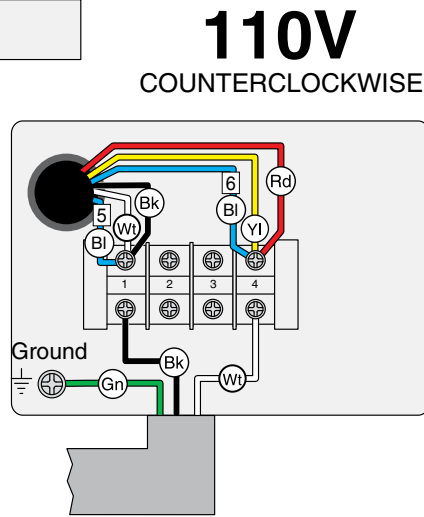
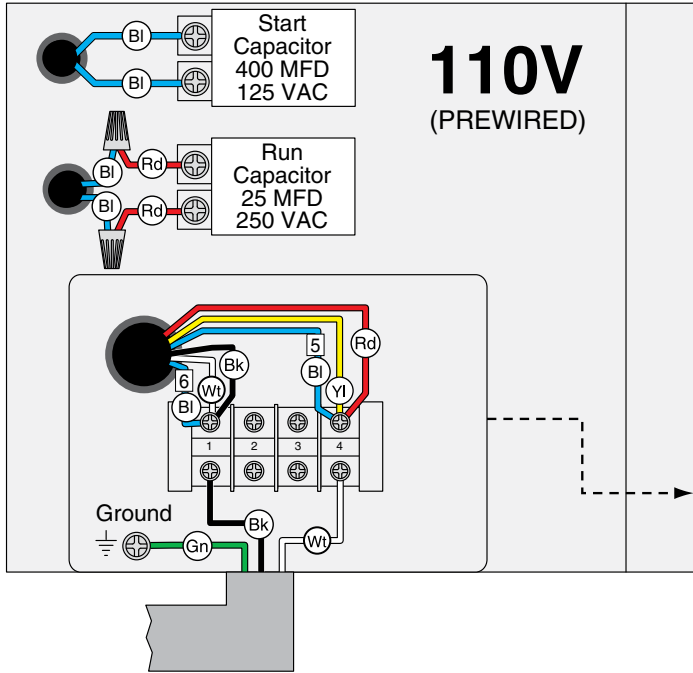
V1.11.13

H5382 Wiring Diagram

View this page in color at www.grizzly.com.

NOTICE
The motor wiring shown here is current at the time of printing, but it may not match your motor. Always use the wiring diagram inside the motor junction box.

COLOR KEY	
BLACK	Bk
WHITE	Wt
GREEN	Gn
RED	Rd
YELLOW	Yl
BLUE	Bl



Free Manuals Download Website

<http://myh66.com>

<http://usermanuals.us>

<http://www.somanuals.com>

<http://www.4manuals.cc>

<http://www.manual-lib.com>

<http://www.404manual.com>

<http://www.luxmanual.com>

<http://aubethermostatmanual.com>

Golf course search by state

<http://golfingnear.com>

Email search by domain

<http://emailbydomain.com>

Auto manuals search

<http://auto.somanuals.com>

TV manuals search

<http://tv.somanuals.com>