



MODEL H0770 5-SHELF CART INSTRUCTIONS

The Model H0770 features light weight, but strong wooden shelves for moving a multitude of products.

Specifications

Weight	131 lbs.
Load Capacity	550 lbs.
Dimensions.....	22½"W x 39"L x 66"H
Top Shelf Height.....	62"
Distance Between Shelves.....	10¼"
Shelf Depth.....	1½"

Inventory (Figures 1–3)

A. Bottom Shelf.....	1
B. Top Shelf	1
C. Center Shelves.....	3
D. Handles	2
E. Locking Swivel Casters	2
F. Fixed Casters	2

Fasteners (and where installed)

- Hex Nuts M10-1.5
(Casters/Bottom Shelf)..... 16
- Flat Washers 10mm
(Casters/Bottom Shelf)..... 16
- Lock Washers 10mm
(Casters/Bottom Shelf)..... 16
- Hex Bolts M12-1.75 x 30 (Handles) 4
- Flat Washers 12mm (Handles) 4
- Carriage Bolts M6-1 x 25 (Shelf/Handle).. 16
- Hex Nuts M6-1 (Shelf/Handle)..... 16
- Flat Washers 6mm (Shelf/Handle) 16
- Lock Washers 6mm (Shelf/Handle)..... 16

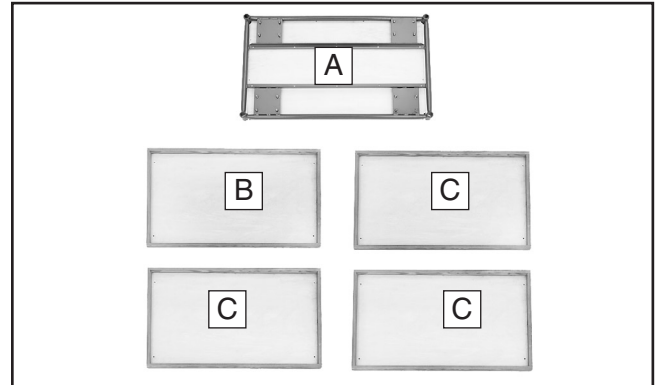


Figure 1. H0770 inventory 1.

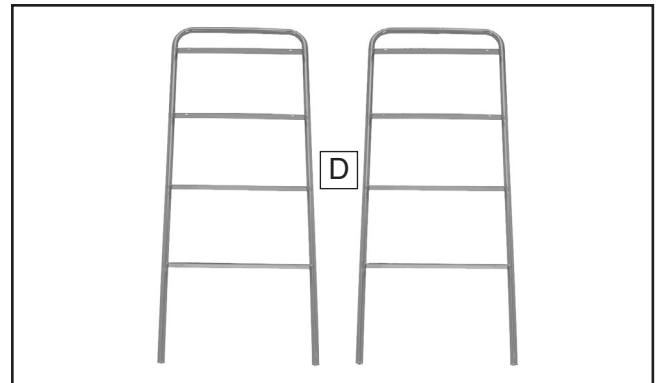


Figure 2. H0770 inventory 2.

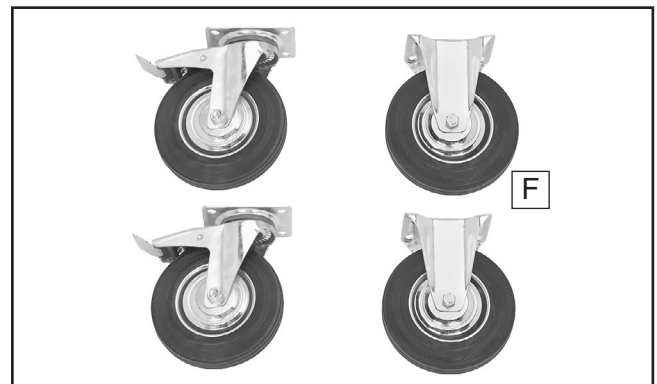


Figure 3. H0770 inventory 3.

COPYRIGHT © AUGUST, 2008 BY GRIZZLY INDUSTRIAL, INC.

WARNING: NO PORTION OF THIS MANUAL MAY BE REPRODUCED IN ANY SHAPE OR FORM WITHOUT THE WRITTEN APPROVAL OF GRIZZLY INDUSTRIAL, INC.

#BL10961 PRINTED IN CHINA

Recommended Tools

Wrench/Socket 10mm	1
Wrench/Socket 17mm.....	1
Hammer.....	1
Wood Block	1
Clamp	1

Assembly

1. Place the bottom shelf assembly upside down on a flat surface, then remove the pre-installed M10-1.5 hex nuts, flat washers, and lock washers from the fixed hex bolts.
2. Install the locking swivel casters on one end and the fixed casters on the other end onto the fixed hex bolts and secure with the fasteners removed in **Step 1**, as shown in **Figure 4**.

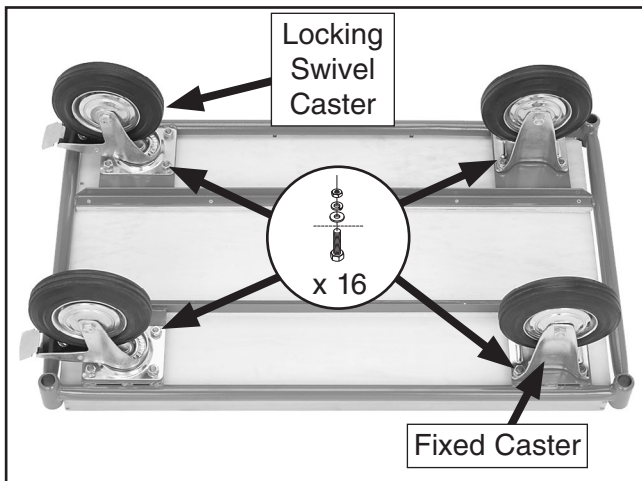


Figure 4. Casters installed.

3. Flip the bottom shelf assembly over and place the casters on a flat surface.
4. Remove the M12-1.75 x 30 hex bolts and flat washers from the handle ends.

5. Place the handles into the sockets at both ends of the bottom shelf. Make sure the horizontal supports face inward, as shown in **Figure 5**.

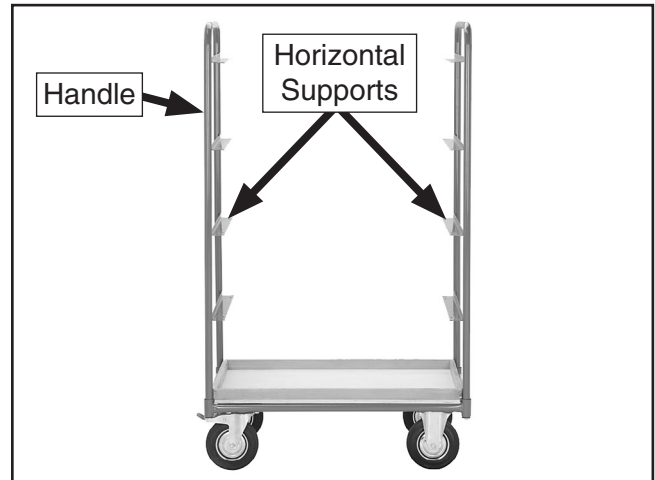


Figure 5. Handles correctly positioned.

6. Fasten the handles to the bottom shelf with the M12-1.75 x 30 hex bolts and flat washers (see **Figure 6**). Finger tighten the bolts for now.

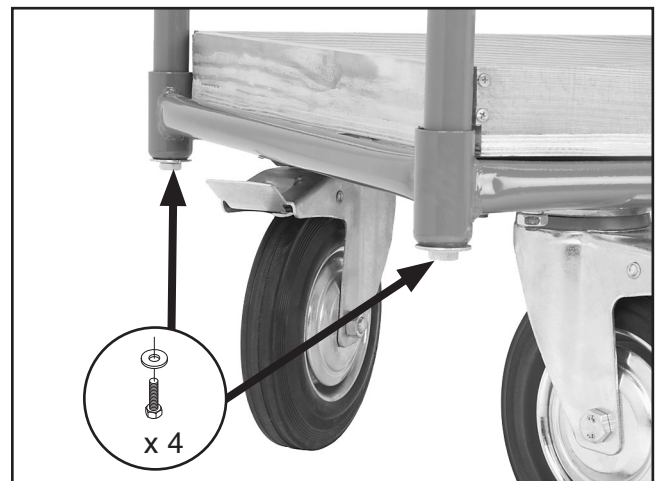


Figure 6. Handles fastened to bottom shelf.



- Slide each center shelf onto a pair of horizontal supports, align the mounting holes in the shelves and supports, then fasten with M6-1 x 25 carriage bolts, flat washers, lock washers, and hex nuts, as shown in **Figure 7**. Finger tighten bolts for now.

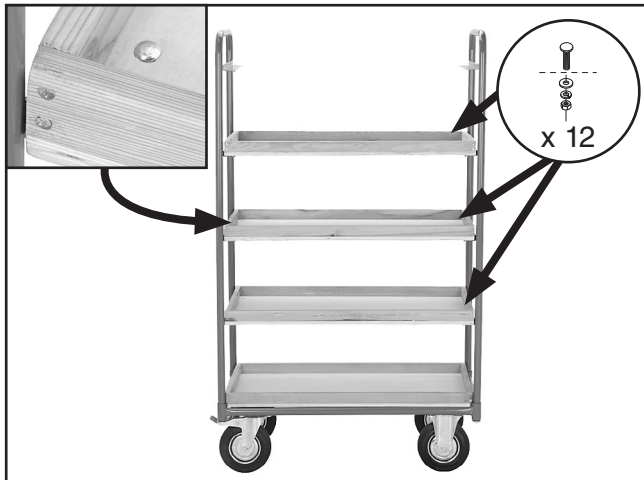


Figure 7. Center shelves installed.

Note: It may help to use a hammer to seat the carriage bolts more deeply—making it easier to thread on the washers and hex nuts.

—If you have trouble inserting a carriage bolt through a shelf and horizontal support, the mounting holes may not be aligned. Loosen the hex bolts that secure the handles to the base and adjust the mounting holes, or use a clamp with a wood block to align the mounting holes, as shown in **Figure 8**.



Figure 8. Using clamp to align mounting holes.

- Repeat **Step 7** to install the top shelf (see **Figure 9**).

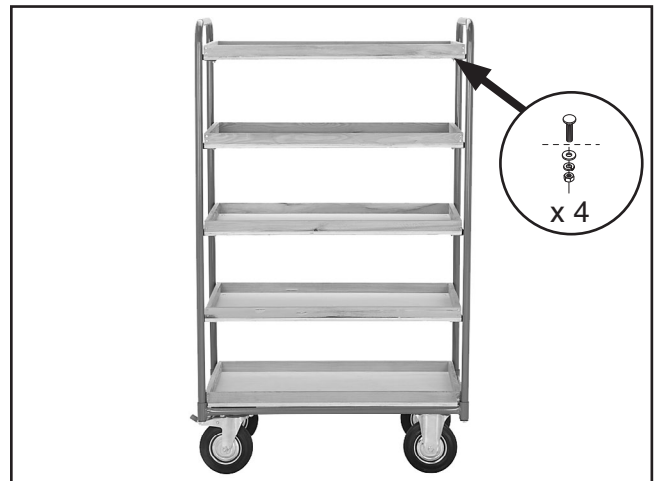
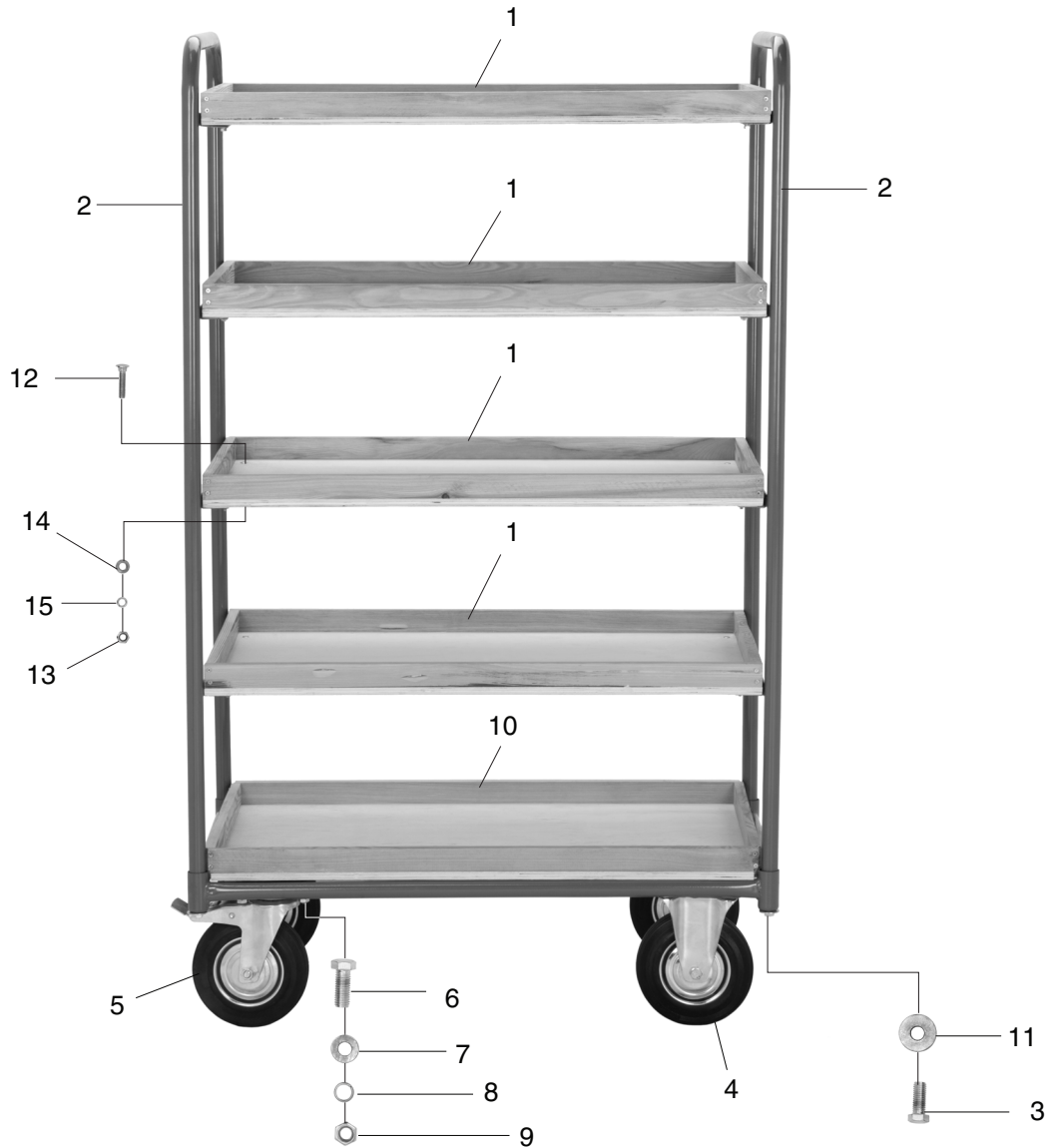


Figure 9. Top shelf installed.

- Tighten the hex bolts that fasten the bottom shelf to the handles, then final tighten all fasteners.

If you need help with your cart, call our Tech Support at: (570) 546-9663.

H0770 Parts Breakdown and List



REF	PART #	DESCRIPTION
1	PH0770001	SHELF
2	PH0770002	HANDLE
3	PB27M	HEX BOLT M12-1.75 X 30
4	PH0770004	FIXED WHEEL 6"
5	PH0770005	SWIVEL WHEEL 6"
6	PB74M	HEX BOLT M10-1.5 X 20
7	PW04M	FLAT WASHER 10MM
8	PLW06M	LOCK WASHER 10MM

REF	PART #	DESCRIPTION
9	PH0770009	HEX NUT M10-1.5 (LH)
10	PH0770010	BOTTOM SHELF
11	PW06M	FLAT WASHER 12MM
12	PCB27M	CARRIAGE BOLT M6-1 X 25
13	PN01M	HEX NUT M6-1
14	PW03M	FLAT WASHER 6MM
15	PLW03M	LOCK WASHER 6MM



Free Manuals Download Website

<http://myh66.com>

<http://usermanuals.us>

<http://www.somanuals.com>

<http://www.4manuals.cc>

<http://www.manual-lib.com>

<http://www.404manual.com>

<http://www.luxmanual.com>

<http://aubethermostatmanual.com>

Golf course search by state

<http://golfingnear.com>

Email search by domain

<http://emailbydomain.com>

Auto manuals search

<http://auto.somanuals.com>

TV manuals search

<http://tv.somanuals.com>