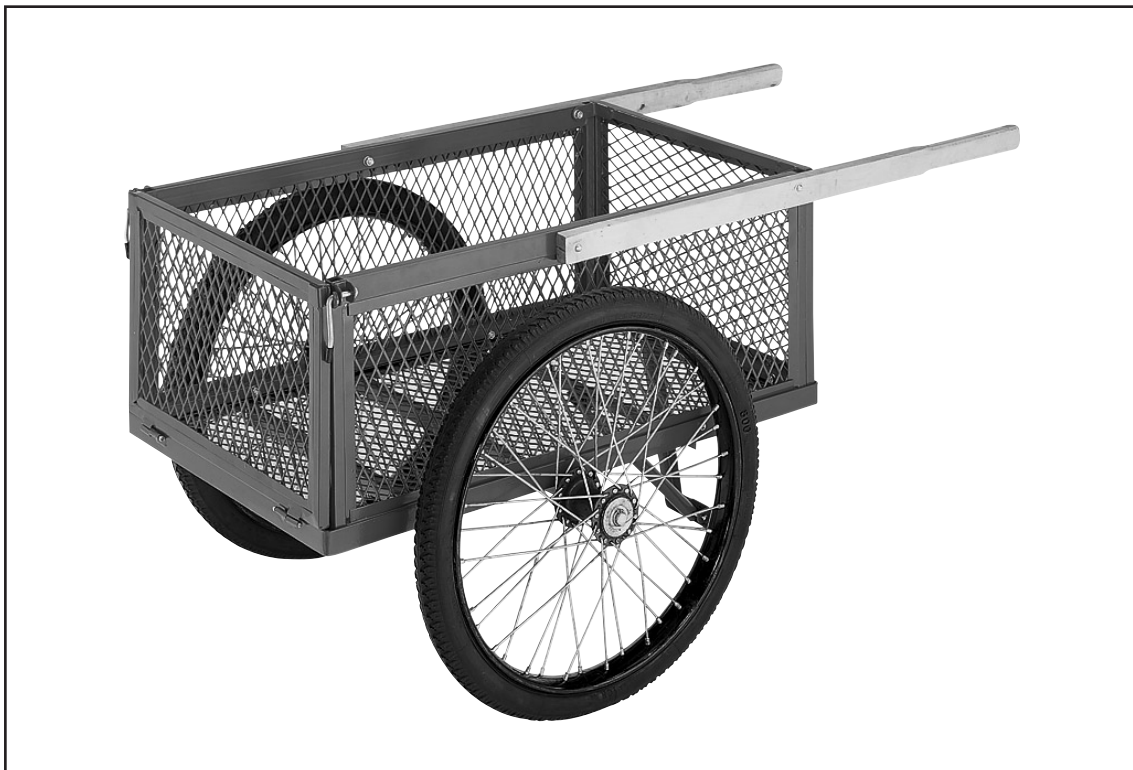


Grizzly *Industrial, Inc.*®

HEAVY-DUTY NURSERY PUSH CART MODEL H3033 INSTRUCTION SHEET



COPYRIGHT © JULY, 2004 BY GRIZZLY INDUSTRIAL, INC. REVISED MARCH, 2010 (TR)
WARNING: NO PORTION OF THIS MANUAL MAY BE REPRODUCED IN ANY SHAPE
OR FORM WITHOUT THE WRITTEN APPROVAL OF GRIZZLY INDUSTRIAL, INC.
#CA6388 PRINTED IN CHINA

PARTS INVENTORY

The Model H3033 was carefully packed when it left our warehouse. If you discover the cart is damaged after you have signed for delivery, *please immediately call Customer Service at (570) 546-9663 for advice.*

Save the containers and all packing materials for possible inspection by the carrier or its agent. *Otherwise, filing a freight claim can be difficult.*

When you are completely satisfied with the condition of your shipment, you should inventory the contents.

Figure 1 - Main Contents.

A.	Tires 20 x 2.125	2
B.	Left Fence	1
C.	Front Fence	1
D.	Base	1
E.	Rear Fence.....	1
F.	Legs.....	2
G.	Right Fence	1
H.	Handles	2
I.	Axle	1
J.	Bolt Bag.....	1
	—Hex Bolts M8-1.25 x 35	4
	—Hex Bolt sM8-1.25 x 25	4
	—Hex Nuts M8-1.25.....	14
	—Straight Slot Screws M8-1.25 x 65	4
	—Lock Washers 8mm.....	14
	—Flat Washers 8mm	14
	—Cotter Pins 4mm x 47mm	2
	—Flat Washers 20mm	2

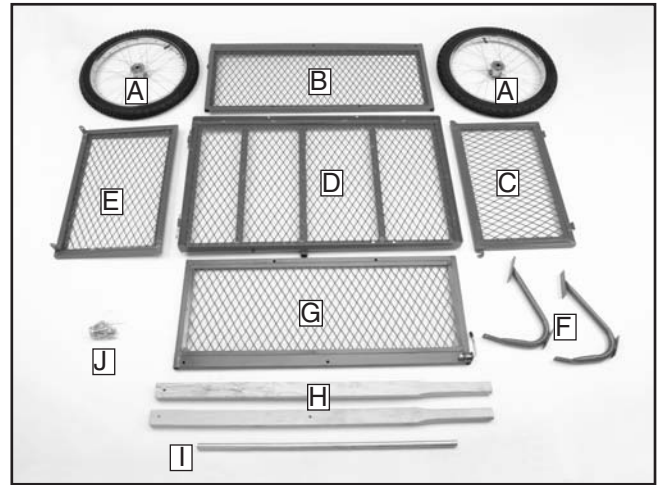


Figure 1. Box contents.

! WARNING

Children may climb into plastic bags and suffocate. Keep all plastic bags included in packaging out of the reach of children.

! CAUTION

Adult supervision is always required while this wagon is being used by children.

ASSEMBLY INSTRUCTIONS

The Model H3033 Heavy-Duty Nursery Push Cart is great for chores around the yard. The 20" tires provide easy rolling and the fold down fence keeps lifting to a minimum.

When assembling the cart, tighten all nuts and bolts finger tight, then, when the entire cart is assembled, tighten all nuts and bolts firmly.

FENCES, HANDLES, AND LEGS

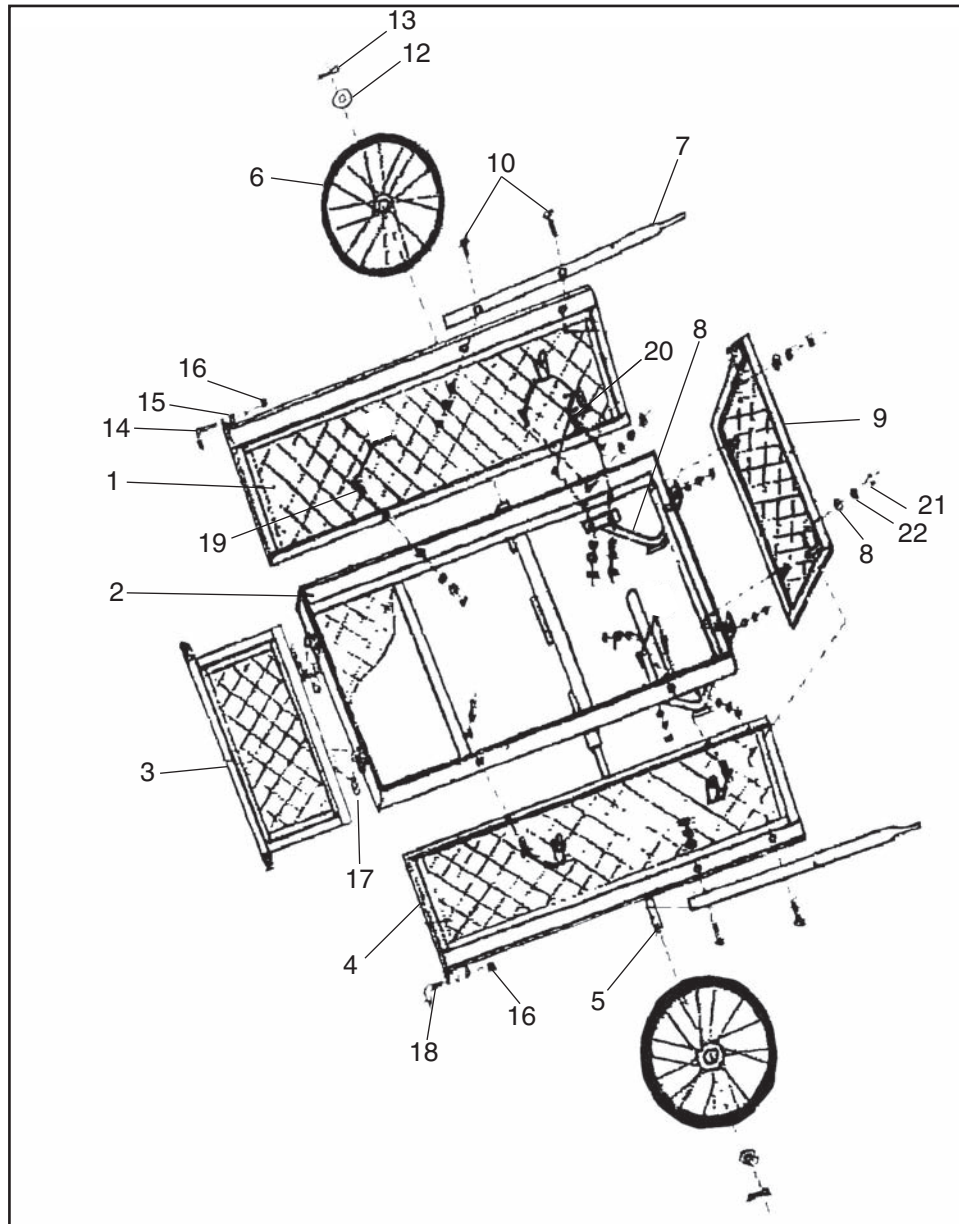
1. Bolt the left and right fence sides to the inside of the base using the M8-1.25 x 35 hex bolts, 8mm flat washers, lock washers, and hex nuts.
2. Place the rear fence studs through the inside of the rear end of the base.
3. Place the end of the legs with one hole on the fence stud and fasten with hex nuts, 8mm flat washers, and lock washers.
4. Finish mounting the legs by bolting them to the frame with the M8-1.25 x 25 hex bolts, flat washer, lock washers and hex nuts.
5. Bolt the handles to the left and right fences with the straight slot screws, hex nuts, flat washers and lock washers.
6. Install the front fence to the base with hinges to the outside. Align the hinges and slide the hing pins through.

AXLE AND WHEELS

1. Turn the cart upside down and place the axle through the axle housing on the bottom of the base.
2. Place a wheel and 20mm flat washer on each axle end.
3. Insert and spread a cotter pin through each axle.

If you need additional help with this procedure, call our service department at: (570) 546-9663.

H3033 Parts Breakdown and List



REF	PART#	DESCRIPTION
1	PH3033001	RIGHT FENCE
2	PH3033002	BASE
3	PH3033003	FRONT FENCE
4	PH3033004	LEFT FENCE
5	PH3033005	AXLE
6	PH3033006	TIRES 20-2.125
7	PH3033007	HANDLES
8	PH3033008	LEGS
9	PH3033009	REAR FENCE
10	PS89M	PHLP HD SCR M8-1.25 X 65
12	PW13M	FLAT WASHER 20MM

REF	PART#	DESCRIPTION
13	PH3033013	COTTER PIN 4MM X 47MM
14	PH3033014	RIGHT SPANNER
15	PW01M	FLAT WASHER 8MM
16	PLN04M	LOCK NUT M8-1.25
17	PH3033017	HINGE PIN
18	PH3033018	LEFT SPANNER
19	PB20M	HEX BOLT M8-1.25 X 35
20	PB07M	HEX BOLT M8-1.25 X 25
21	PN03M	HEX NUT M8-1.25
22	PLW04M	LOCK WASHER 8MM

Free Manuals Download Website

<http://myh66.com>

<http://usermanuals.us>

<http://www.somanuals.com>

<http://www.4manuals.cc>

<http://www.manual-lib.com>

<http://www.404manual.com>

<http://www.luxmanual.com>

<http://aubethermostatmanual.com>

Golf course search by state

<http://golfingnear.com>

Email search by domain

<http://emailbydomain.com>

Auto manuals search

<http://auto.somanuals.com>

TV manuals search

<http://tv.somanuals.com>