

# *Grizzly* *Industrial, Inc.*®

## MODEL G5354 AIRBRUSH KIT INSTRUCTION MANUAL



COPYRIGHT © APRIL, 2007 BY GRIZZLY INDUSTRIAL, INC.

**WARNING: NO PORTION OF THIS MANUAL MAY BE REPRODUCED IN ANY SHAPE OR FORM WITHOUT THE WRITTEN APPROVAL OF GRIZZLY INDUSTRIAL, INC.**

#TR9283 PRINTED IN TAIWAN

# SECTION 1: SAFETY

## **WARNING**

### **For Your Own Safety Read Instruction Manual Before Operating This Equipment**

The purpose of safety symbols is to attract your attention to possible hazardous conditions. This manual uses a series of symbols and signal words which are intended to convey the level of importance of the safety messages. The progression of symbols is described below. Remember that safety messages by themselves do not eliminate danger and are not a substitute for proper accident prevention measures.

#### **DANGER**

Indicates an imminently hazardous situation which, if not avoided, WILL result in death or serious injury.

#### **WARNING**

Indicates a potentially hazardous situation which, if not avoided, COULD result in death or serious injury.

#### **CAUTION**

Indicates a potentially hazardous situation which, if not avoided, MAY result in minor or moderate injury. It may also be used to alert against unsafe practices.

#### **NOTICE**

This symbol is used to alert the user to useful information about proper operation of the equipment.

## **WARNING**

### **Safety Instructions for Pneumatic Tools**

- KEEP ALL SAFETY DEVICES IN PLACE** and in working order.
- REMOVE ADJUSTING KEYS AND WRENCHES.** Form a habit of checking to see that keys and adjusting wrenches are removed from tool before operation.
- KEEP WORK AREA CLEAN.** Cluttered areas and benches invite accidents.
- DO NOT USE IN DANGEROUS ENVIRONMENT.** Do not use pneumatic tools where any flammable or noxious fumes may exist. Keep work area well lighted.
- KEEP CHILDREN AND VISITORS AWAY.** All children and visitors should be kept at a safe distance from work area.
- MAKE WORKSHOP CHILD PROOF** by locking your shop and shutting off air valves.
- DO NOT FORCE TOOL.** It will do the job better and safer at the rate for which it was designed.
- USE THE RIGHT TOOL.** Do not force tool or attachment to do a job for which it was not designed.
- DO NOT USE UNDER THE INFLUENCE OF DRUGS OR ALCOHOL.**

# WARNING

## Safety Instructions For Pneumatic Tools

10. **USE PROPER AIR HOSE** for the tool. Make sure your air hose is in good condition and is long enough to reach your work without stretching.
11. **WEAR PROPER APPAREL.** Do not wear loose clothing, gloves, neckties, rings, bracelets, or other jewelry which may get caught in moving parts. Non-slip footwear is recommended. Wear a protective hair covering to contain long hair.
12. **ALWAYS USE SAFETY GLASSES.** Also use a face or dust mask if cutting operation is dusty. Everyday eyeglasses only have impact resistant lenses, they are NOT safety glasses.
13. **WEAR APPROVED HEARING PROTECTION.** Air escaping from pneumatic tools can exceed safe exposure limits and may cause hearing damage with prolonged exposure.
14. **SECURE WORK.** Use clamps or a vise to hold work when practical. It is safer than using your hand and frees both hands to operate tool.
15. **MAINTAIN TOOLS WITH CARE.** Keep tools lubricated and clean for best and safest performance. Follow instructions for lubricating and changing accessories.
16. **REDUCE THE RISK OF UNINTENTIONAL STARTING.** Do not carry tool with hand on trigger and always disconnect from air when not in use.
17. **DISCONNECT TOOLS** before servicing and changing accessories.
18. **DO NOT OVERREACH.** Keep proper footing/balance at all times.
19. **USE THE RECOMMENDED ACCESSORIES.** Refer to this manual for recommended accessories. The use of improper accessories may cause risk of injury.
20. **CHECK FOR DAMAGED PARTS BEFORE USING.** Check for binding and alignment of parts, broken parts, part mounting, loose bolts, and any other conditions that may affect machine operation. Repair or replace damaged parts.
21. **NEVER LEAVE UNATTENDED TOOL CONNECTED TO AIR.** Disconnect the air hose and do not leave tool until it is relieved of any built up pressure.
22. **NEVER ALLOW UNTRAINED USERS TO USE THIS TOOL WHILE UNSUPERVISED.**
23. **IF YOU ARE UNSURE OF THE INTENDED OPERATION, STOP USING TOOL.** Seek formal training or research books or magazines that specialize in pneumatic tools.
24. **BE AWARE OF HOSE LOCATION WHEN USING PNEUMATIC TOOLS.** Hoses can easily become a tripping hazard when laid across the floor or spread out in a disorganized fashion.

# WARNING

## Additional Safety Instructions for Spraying

- 1. READ THIS MANUAL.** This manual contains proper operating instructions for this airbrush.
- 2. READ MATERIAL LABELS and MATERIAL SAFETY DATA SHEETS (MSDS).** Read and know all the instructions on the packaging label and the MSDS before opening the package. This information could save your life.
- 3. RESPIRATORY PROTECTION.** Always wear a NIOSH approved respirator when spraying or working around finishing materials.
- 4. FIRE EXTINGUISHERS.** Always have a fully charged multi-class or class B fire extinguisher in the immediate area.
- 5. FLAMMABLE MATERIAL. NEVER** spray near open flame or where any spark could occur.
- 6. FRESH AIR.** Always provide adequate exhaust to keep area free of built-up vapors. NEVER spray in an enclosed space.
- 7. DISCONNECT COMPRESSED AIR.** Always disconnect the airbrush from compressed air before cleaning, changing attachments or when performing maintenance of any kind on this tool.
- 8. PROTECTIVE CLOTHING.** Protect exposed skin from overspray by wearing a protective suit or other approved garment.
- 9. INAPPROPRIATE USE.** DO NOT point or shoot airbrush directly at yourself or another person or animals. Do not attempt to use the airbrush for any other use than it was intended.
- 10. STORAGE.** Thoroughly clean and dry airbrush before storage. Store in an approved cabinet.
- 11. SOLVENTS.** Always store solvents and shop towels soaked in solvent in approved containers.
- 12. EYE PROTECTION.** Wear eye protection whenever spraying or cleaning. Solvents and chemicals can cause serious eye injury, which could lead to blindness.
- 13. OPERATING PRESSURE.** DO NOT exceed the recommended inlet air pressure. Excessive pressure could cause the airbrush to burst or cause other internal equipment damage.
- 14. LOCAL LAWS.** Consult local authorities regarding exhaust and waste disposal requirements.

# SECTION 2: INTRODUCTION

## Foreword

We are proud to offer the Grizzly Model G5354 Airbrush. This model is part of a growing Grizzly family of fine tools. When used according to the guidelines set forth in this manual, you can expect years of trouble-free, enjoyable operation, and proof of Grizzly's commitment to customer satisfaction.

It is our pleasure to provide this manual with the Model G5354. It was written to encourage safety considerations and guide you through general operating procedures and maintenance.

The specifications, details, and photographs in this manual represent the Model G5354 as supplied when the manual was prepared. However, owing to Grizzly's policy of continuous improvement, changes may be made at any time with no obligation on the part of Grizzly.

## Contact Information

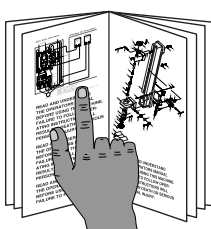
If you have any comments regarding this manual, please write to us at the following address:

Grizzly Industrial, Inc.  
C/O Technical Documentation  
P.O. Box 2069  
Bellingham, WA 98227-2069  
Email: manuals@grizzly.com

Most importantly, we stand behind our tools. If you have any service questions or parts requests, please call or write us at the location listed below.

Grizzly Industrial, Inc.  
1203 Lycoming Mall Circle  
Muncy, PA 17756  
Phone: (570) 546-9663  
Fax: (800) 438-5901  
E-Mail: techsupport@grizzly.com  
Web Site: <http://www.grizzly.com>

**⚠ WARNING**



**Read the manual before operation. Become familiar with this tool, its safety instructions, and its operation before beginning any work. Serious personal injury may result if safety or operational information is not understood or followed.**

**Model G5354  
Airbrush**

<b>MODEL</b>	<b>G5354</b>
<b>MIX TYPE</b>	External
<b>TYPE OF FEED</b>	Siphon (Bottom)
<b>SPRAY PATTERN</b>	Pencil Line to 2"
<b>TRIGGER ACTION</b>	Dual
<b>INLET AIR PRESSURE</b>	15-50 PSI
<b>BODY MATERIAL</b>	Chromed Steel
<b>MATERIAL USAGE</b>	Thinned acrylics, acrylic enamels and lacquers, gouches, fabric colors, inks, watercolors and dyes.

# SECTION 3: SETUP

## Inventory

Your airbrush left our warehouse in a carefully packed box. If you discover the airbrush is damaged after you have signed for delivery, *please immediately call Customer Service at (570) 546-9663 for advice.*

Save the containers and all packing materials for possible inspection by the carrier or its agent. *Otherwise, filing a freight claim can be difficult.*

After you have unpacked the carton you should find the following:

### Model G5354 Inventory (Figure 1)

- A. Glass Jar w/Enclosed Lid ..... 1
- B. Glass Jar w/Suction Lid ..... 1
- C. Air Hose ..... 1
- D. Airbrush..... 1
- E. Airbrush Hanger..... 1
- F. Metal Jar ..... 1
- G. Adapter ..... 1
- H. Nozzle Tip Wrench 2mm ..... 1
- I. Eyedropper ..... 1

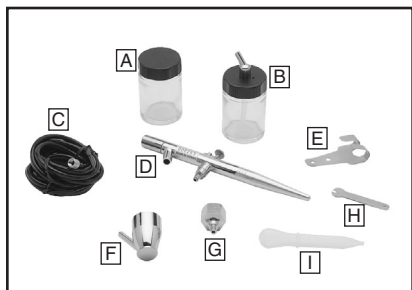


Figure 1. Model G5354 inventory.

## Assembly

Prior to assembly and use of the airbrush, it is essential that all parts be thoroughly cleaned and dried. Please refer to **Cleaning** in the **MAINTENANCE** section on **Page 11** for more detailed instructions.

During assembly, make sure all connections are tight enough to prevent air leaks but not so tight as to cause damage.

### To assemble the airbrush:

1. Attach one end of the air hose to the airbrush body, as shown in **Figure 2**.

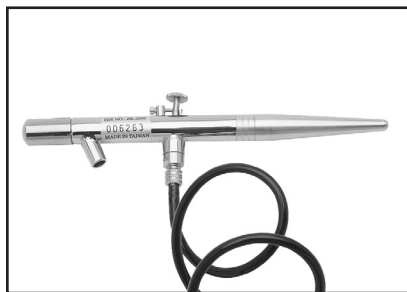


Figure 2. Air hose attached to airbrush.

2. Attach the adapter to the air hose, as shown in **Figure 3**.



Figure 3. Adapter attached to air hose.

3. Connect the hose from the air compressor to an air regulator, then adjust the air pressure to 30 PSI.
4. Connect the adapter with the air hose to the air regulator (see **Figure 4**).



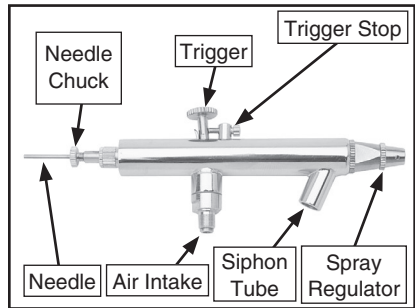
**Figure 4.** Adapter attached to regulator.

5. The glass jar with suction lid or the metal jar installs in the airbrush by pushing the nozzle into the receiver tube on the airbrush body. **Figure 5** shows an example of the metal jar installed.



**Figure 5.** Metal jar installed on airbrush.

## Controls



**Figure 6.** Controls.

**Needle Chuck:** Loosens the needle for air spray adjustment.

**Needle:** The position of the needle relative to the spray tip controls the shape and size of the spray pattern. Unlock the needle then slide it in or out to adjust the spray.

**Trigger:** Operates the flow of paint through the airbrush.

**Trigger Stop:** Adjusts how far trigger returns when released.

**Air Intake:** Connects to the air compressor.

**Siphon Tube:** Connects to the glass jar or metal jar.

**Spray Regulator:** When rotated, regulates the amount of fluid that comes out.



# SECTION 4: OPERATIONS

**! DANGER**



**EXPLOSION HAZARD! DO NOT smoke or have any source of flame or spark near spraying. Vapors will explode if ignited.**

**! WARNING**



**RESPIRATORY HAZARD! Always use a NIOSH approved respirator when using spray equipment. Failure to protect your lungs can lead to respiratory illness and nervous system damage.**

**! WARNING**



**TOXIC FUMES! Always use an approved spray booth or well ventilated area when spraying. NEVER spray in a confined space where toxic fumes and flammable vapors can accumulate to deadly levels.**

## Spraying

The paint you use with this brush should be thinned to the consistency of 2% milk. Strain paint with a coffee filter when pouring it into the jar.

Keep in mind that paint dries quickly inside the airbrush. If you plan to stop spraying for a few minutes, flush the airbrush with cleaning solution (see **Page 11**) through the siphon tube.

### To use your airbrush:

1. Read and follow the paint manufacturer's instructions for spraying, mixing, safety, and disposal.
2. Ensure the jar or metal cup is securely mounted to the airbrush and all other fittings are secure to avoid leaks.
3. Set the inlet air pressure to between 15-50 PSI, depending on the paint manufacturer recommendations (normal operating pressure is 30 PSI.)
4. Fill the jar or metal cup with premixed material.
5. Press the trigger down and pull back to spray. Trial-and-error, along with a lot of practice, are necessary to achieve desirable results. Test your material flow and spray pattern on a piece of cardboard or scrap material. Seek outside resources to educate yourself on airbrush techniques.

The airbrush is factory set for the most common spray pattern and fluid flow. Adjust the spray regulator or needle chuck to change this setting.

# SECTION 5: ACCESSORIES

## G6261—Campbell Hausfeld™ Water Filter

Remove damaging water vapor before it reaches your pneumatic tools. This highly effective, five micron filter features a see-through bowl and easy in-line connections. 150 PSI maximum air pressure. ¼" NPT.



Figure 7. G6261 Campbell Hausfeld™ water filter.

## G8114—¾" x 25 Ft. Air Hose

## G8115—¾" x 50 Ft. Air Hose

## G8116—¾" x 100 Ft. Air Hose

Multi-purpose red rubber air hose is flexible and abrasion resistant. Rated for 200 PSI, this air hose has a bursting strength of 800 PSI and ¼" NPT ends.



Figure 8. Red rubber air hose.

## H7274—Campbell Hausfeld™ Pressure Regulator

Mini Series. Provides regulated output pressure of 0 to 125 PSI for proper tool operation. Locking pressure knob prevents accidental adjustments. 15 SCFM flow capacity @ 90 PSI. ¼" NPT.



Figure 9. H7274 Campbell Hausfeld™ pressure regulator.

## H3272—Mini Air Compressor

This ⅛ HP Mini Air Compressor is the perfect companion to any air brush set. Portable design features automatic shut-off at 38 PSI, moisture trap, air brush holder and coiled air hose. CFM at maximum PSI is 0.48. 10"L x 5½"W x 6¾"H. Weight is 9 lbs.



Figure 10. H3272 Mini Air Compressor.

Call 1-800-523-4777 To Order

# SECTION 6: MAINTENANCE

---

---

## Cleaning

---

---

Proper cleaning is the best way to ensure trouble free performance from your airbrush. If your airbrush is not thoroughly cleaned, damage and poor spraying will result. Problems caused by improper cleaning will not be covered by the warranty.

Keep in mind that your cleaning solution must be of the same base as the paint. In other words, use water to clean water-based paints and thinner/solvent to clean oil based paints.

Clean the airbrush immediately after each use. Paint dries quickly. A spare jar is included with your airbrush so that you can always keep cleaning material on hand to quickly clean the airbrush if you are going to stop using it for longer than a minute. Use the included dropper to inject a small amount of cleaning fluid into the siphon tube, then spray it out and repeat the process until no paint comes out.

When you are finished using your airbrush for the day, do a full breakdown and cleaning job.

### To do a full cleaning job:

1. Spray cleaning liquid through the airbrush until the spray is clean and free of any paint.
2. **DISCONNECT AIRBRUSH FROM COMPRESSED AIR!**
3. Remove the paint container (jar or metal cup) and the air hose.

4. Disassemble the airbrush components as shown on the parts breakdown, located on **Page 13**.
5. Clean the components in a glass or plastic container with the appropriate cleaning solution. **Avoid submerging the entire gun and keep O-rings away from solvent as much as possible when cleaning.**
6. Dry all parts with a lint free cloth.
7. Coat the needle with a layer of needle lubricant or mineral oil.
8. Reassemble the airbrush. Place a piece of tape on the top of the trigger plate spring to prevent it from falling out until the airbrush is fully assembled. Make sure the bottom of the trigger fits on top of the valve stem assembly. Insert the needle all the way to the spray regulator until it stops.

## Needle Refurbishing

---

---

The needle tip is very delicate and can become "hooked" or bent if it gets bumped during cleaning. If this happens, a replacement needle can be purchased, or you can refurbish your existing needle.

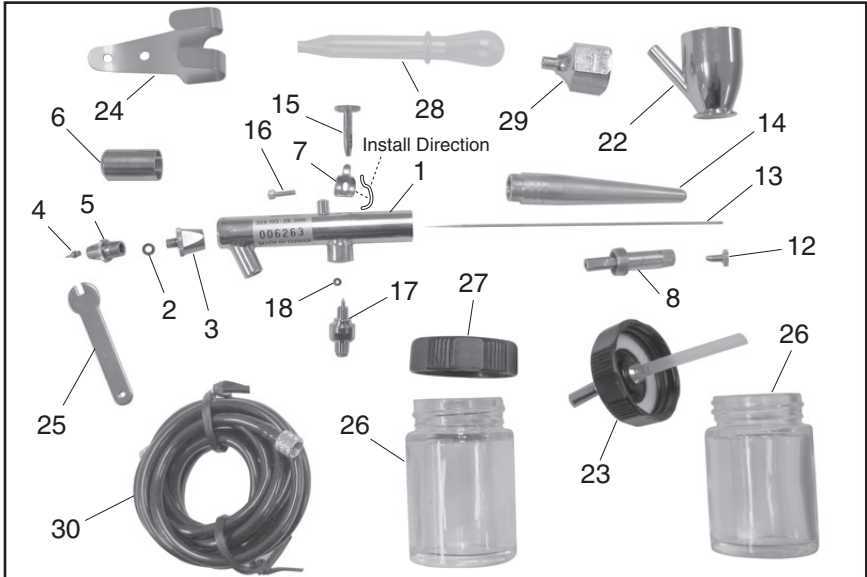
A popular way to refurbish the needle is with a fish hook sharpening stone that can be purchased where fishing supplies are sold. These stones are very fine and make it easy to re-establish a fine point.

After using the stone, the needle can be placed in a drill press, drill or Dremel®, then polished successively with 1200, 1500, and 2000 grit wet sandpaper, then polished with beeswax.

# Troubleshooting

Symptom	Possible Cause	Solution
Excessive over-spray.	<ol style="list-style-type: none"> <li>1. Spray pattern adjusted incorrectly for your application.</li> <li>2. Air press too high.</li> <li>3. Airbrush is too far from surface.</li> <li>4. Spraying too fast.</li> </ol>	<ol style="list-style-type: none"> <li>1. Adjust the spray regulator.</li> <li>2. Reduce air pressure.</li> <li>3. Keep airbrush at recommended distance.</li> <li>4. Slow down and maintain consistent, even parallel stroke.</li> </ol>
Spray pattern is oblong or doesn't fly straight.	<ol style="list-style-type: none"> <li>1. Needle has a "hook" at the tip or has been damaged.</li> </ol>	<ol style="list-style-type: none"> <li>1. Refurbish or replace the needle.</li> </ol>
Spray pattern wider than normal, even when adjusted.	<ol style="list-style-type: none"> <li>1. Nozzle is worn or damaged.</li> </ol>	<ol style="list-style-type: none"> <li>1. Replace spray nozzle.</li> </ol>
Material leaks from jar.	<ol style="list-style-type: none"> <li>1. Cap not secure.</li> <li>2. Jar not tight on airbrush body.</li> <li>3. Leaking from cap vent hole.</li> </ol>	<ol style="list-style-type: none"> <li>1. Tighten.</li> <li>2. Tighten.</li> <li>3. Hold airbrush upright; do not tilt.</li> </ol>
Material leaks from airbrush.	<ol style="list-style-type: none"> <li>1. Fluid tip loose.</li> <li>2. Dry or damaged seals.</li> <li>3. Excessive air pressure.</li> </ol>	<ol style="list-style-type: none"> <li>1. Tighten.</li> <li>2. Replace seals.</li> <li>3. Reduce air pressure.</li> </ol>
Dry Spray.	<ol style="list-style-type: none"> <li>1. Inlet air pressure too high.</li> <li>2. Airbrush too far from surface.</li> <li>3. Airbrush stroke too fast.</li> <li>4. Incorrectly thinned paint.</li> </ol>	<ol style="list-style-type: none"> <li>1. Lower inlet air pressure.</li> <li>2. Keep airbrush at recommended distance.</li> <li>3. Slow down; use a consistent parallel stroke.</li> <li>4. Thin paint more.</li> </ol>
Paint leaks from nozzle.	<ol style="list-style-type: none"> <li>1. Debris will not let the nozzle seal.</li> <li>2. O-ring worn.</li> </ol>	<ol style="list-style-type: none"> <li>1. Clean nozzle.</li> <li>2. Replace O-ring.</li> </ol>
Air flow problems.	<ol style="list-style-type: none"> <li>1. Air hose or connections are leaking.</li> <li>2. Valve stem assembly at fault.</li> </ol>	<ol style="list-style-type: none"> <li>1. Replace air hose or re-establish air hose connections.</li> <li>2. Replace the valve stem assembly</li> </ol>
Fluttering, spitting spray, and general paint flow problems.	<ol style="list-style-type: none"> <li>1. Paint or material is thinned incorrectly.</li> <li>2. Dried paint or debris on needle, in nozzle, or on other internal components.</li> <li>3. Air flow problem.</li> </ol>	<ol style="list-style-type: none"> <li>1. Thin paint/material to manufacturer's recommendations; test airbrush by spraying water.</li> <li>2. Disassemble and clean airbrush with special attention to needle and nozzle.</li> <li>3. Refer to "Air Flow Problems" in troubleshooting.</li> </ol>

## Parts Breakdown G5354



REF	PART #	DESCRIPTION
1	P5354001	AIR BRUSH FRAME
2	P5354002	O-RING 19.8 X 2.4 P20
3	P5354003	SPRAY NOZZLE
4	P5354004	FLUID TIP-FINE
5	P5354005	SPRAY REGULATOR
6	P5354006	NOZZLE COVER
7	P5354007	TRIGGER PLATE SPRING
8	P5354008	NEEDLE TUBE ASSEMBLY
12	P5354012	NEEDLE CHUCK SCREW
13	P5354013	NEEDLE
14	P5354014	TAIL COVER
15	P5354015	TRIGGER
16	P5354016	MICRO ADJUST SCREW
17	P5354017	VALVE STEM ASSY
18	P5354018	O-RING 2.75 X 0.85
22	P5354022	5CC METAL CUP
23	P5354023	SIPHON NOZZLE JAR LID
24	P5354024	METAL HANGER
25	P5354025	2MM WRENCH
26	P5354026	GLASS JAR
27	P5354027	REGULAR JAR LID
28	P5354028	EYE DROPPER
29	P5354029	ADAPTER 1/4" NPT
30	P5354030	AIR HOSE

# WARRANTY AND RETURNS

---

---

Grizzly Industrial, Inc. warrants every product it sells for a period of **1 year** to the original purchaser from the date of purchase. This warranty does not apply to defects due directly or indirectly to misuse, abuse, negligence, accidents, repairs or alterations or lack of maintenance. This is Grizzly's sole written warranty and any and all warranties that may be implied by law, including any merchantability or fitness, for any particular purpose, are hereby limited to the duration of this written warranty. We do not warrant or represent that the merchandise complies with the provisions of any law or acts unless the manufacturer so warrants. In no event shall Grizzly's liability under this warranty exceed the purchase price paid for the product and any legal actions brought against Grizzly shall be tried in the State of Washington, County of Whatcom.

We shall in no event be liable for death, injuries to persons or property or for incidental, contingent, special, or consequential damages arising from the use of our products.

To take advantage of this warranty, contact us by mail or phone and give us all the details. We will then issue you a "Return Authorization Number," which must be clearly posted on the outside as well as the inside of the carton. We will not accept any item back without this number. Proof of purchase must accompany the merchandise.

The manufacturers reserve the right to change specifications at any time because they constantly strive to achieve better quality equipment. We make every effort to ensure that our products meet high quality and durability standards and we hope you never need to use this warranty.

Please feel free to write or call us if you have any questions about the machine or the manual.

**Grizzly Industrial, Inc.**  
**1203 Lycoming Mall Circle**  
**Muncy, PA 17756**  
**Phone: (570) 546-9663**  
**Fax: (800) 438-5901**

**E-Mail:**  
**techsupport@grizzly.com**

**Web Site: <http://www.grizzly.com>**

Thank you again for your business and continued support. We hope to serve you again soon!



# WARRANTY CARD

Name \_\_\_\_\_

Street \_\_\_\_\_

City \_\_\_\_\_ State \_\_\_\_\_ Zip \_\_\_\_\_

Phone # \_\_\_\_\_ Email \_\_\_\_\_ Invoice # \_\_\_\_\_

Model # \_\_\_\_\_ Order # \_\_\_\_\_ Serial # \_\_\_\_\_

*The following information is given on a voluntary basis. It will be used for marketing purposes to help us develop better products and services. **All information is strictly confidential.***

1. How did you learn about us?

Advertisement     Friend     Catalog  
 Card Deck     Website    Other: \_\_\_\_\_

2. Which of the following magazines do you subscribe to?

Cabinet Maker     Popular Mechanics     Today's Homeowner  
 Family Handyman     Popular Science     Wood  
 Hand Loader     Popular Woodworking     Wooden Boat  
 Handy     Practical Homeowner     Woodshop News  
 Home Shop Machinist     Precision Shooter     Woodsmith  
 Journal of Light Cont.     Projects in Metal     Woodwork  
 Live Steam     RC Modeler     Woodworker West  
 Model Airplane News     Rifle     Woodworker's Journal  
 Modeltec     Shop Notes     Other:  
 Old House Journal     Shotgun News

3. What is your annual household income?

\$20,000-\$29,000     \$30,000-\$39,000     \$40,000-\$49,000  
 \$50,000-\$59,000     \$60,000-\$69,000     \$70,000+

4. What is your age group?

20-29     30-39     40-49  
 50-59     60-69     70+

5. How long have you been a woodworker/metalworker?

0-2 Years     2-8 Years     8-20 Years     20+ Years

6. How many of your machines or tools are Grizzly?

0-2     3-5     6-9     10+

7. Do you think your machine represents a good value?  Yes     No

8. Would you recommend Grizzly Industrial to a friend?  Yes     No

9. Would you allow us to use your name as a reference for our customers in your area?

Note: *We never use names more than 3 times.*     Yes     No

10. Comments: \_\_\_\_\_

\_\_\_\_\_

\_\_\_\_\_

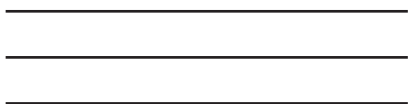
\_\_\_\_\_

Send a Grizzly Catalog to a friend:

Name _____
Street _____
City _____ State _____ Zip _____

FOLD ALONG DOTTED LINE

---



Place  
Stamp  
Here



GRIZZLY INDUSTRIAL, INC.  
P.O. BOX 2069  
BELLINGHAM, WA 98227-2069



TAPE ALONG EDGES--PLEASE DO NOT STAPLE



## Free Manuals Download Website

<http://myh66.com>

<http://usermanuals.us>

<http://www.somanuals.com>

<http://www.4manuals.cc>

<http://www.manual-lib.com>

<http://www.404manual.com>

<http://www.luxmanual.com>

<http://aubethermostatmanual.com>

Golf course search by state

<http://golfingnear.com>

Email search by domain

<http://emailbydomain.com>

Auto manuals search

<http://auto.somanuals.com>

TV manuals search

<http://tv.somanuals.com>