



Model H8095 1500 LB Steel ATV Jack

⚠️ WARNING

Failure to follow these instructions could result in serious personal injury or death:

1. **DO NOT** overload this jack beyond its rated capacity. Overloading can cause the jack to collapse and drop the load.
2. **ALWAYS** support the vehicle with appropriately rated support stands before working under it.
3. **DO NOT** attempt to move the vehicle while the jack is in use.
4. Use only on hard level surfaces like concrete or asphalt. Other surfaces are potentially unstable.
5. Center the load on the jack to maintain proper balance and stability.
6. **DO NOT** use jack if it begins leaking fluid or if it slowly sinks with a heavy load. These are indications that the jack needs to be immediately serviced.

Specifications

Maximum Lifting Capacity 1,500 Lbs.
Lifting Range 6"-18"
Weight 78 Lbs.

Operation

Pump Handle (Figure 1): To raise the jack, rotate the pump handle clockwise completely, then move the pump handle up and down. To lower the jack, slowly rotate the pump handle counterclockwise.

Lock Release Pedal (Figure 1): This jack features a stepped lock system that prevents loads placed on the jack from accidentally dropping. When pushed down, the lock release pedal allows the operator to completely lower the jack and bypass the stepped lock system.

Note: *The lock pedal will not release if the load binds against the stepped plate. To remove a bind, jack the load one or two pumps.*

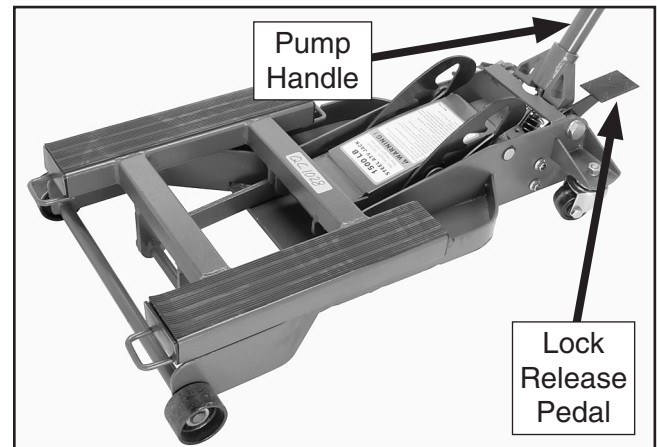


Figure 1. Jack controls.

If you need help with the Model H8095, call our Technical Support line at: (570) 546-9663.

COPYRIGHT © DECEMBER, 2006 BY GRIZZLY INDUSTRIAL, INC.
**WARNING: NO PORTION OF THIS MANUAL MAY BE REPRODUCED IN ANY SHAPE
OR FORM WITHOUT THE WRITTEN APPROVAL OF GRIZZLY INDUSTRIAL, INC.**
#TR8826 PRINTED IN CHINA

Maintenance

Keep the hydraulic rams clean and free of any dust, dirt, or foreign debris. Abrasive material stuck to the ram can damage the hydraulic seal when the ram is retracted back into the jack. Regularly wipe the hydraulic rams clean with a lightly oiled rag.

The Model H8095 will require hydraulic fluid after long-term use. This will be noticeable if the jack will not reach its maximum height when pumped. Only use a high quality hydraulic fluid.

To add hydraulic fluid:

1. Completely lower the jack.
2. Remove the fill plug shown in **Figure 2**.

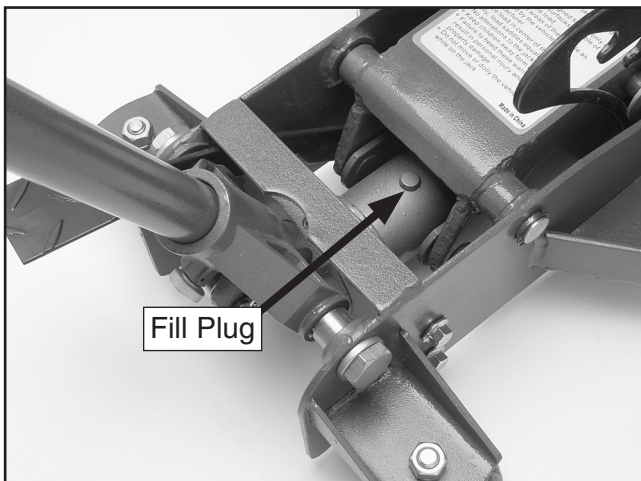


Figure 2. Fill plug.

3. Add fluid until it reaches the top of the fill plug hole.
4. Replace the fill plug.
5. Test the operation of the jack by pumping it up to the maximum height and applying a load to the saddle. The jack should hold the weight of the load without a sinking or spongy feeling.

—If the jack did not perform properly, then air may need to be bled from the pump system.

Bleeding the Air

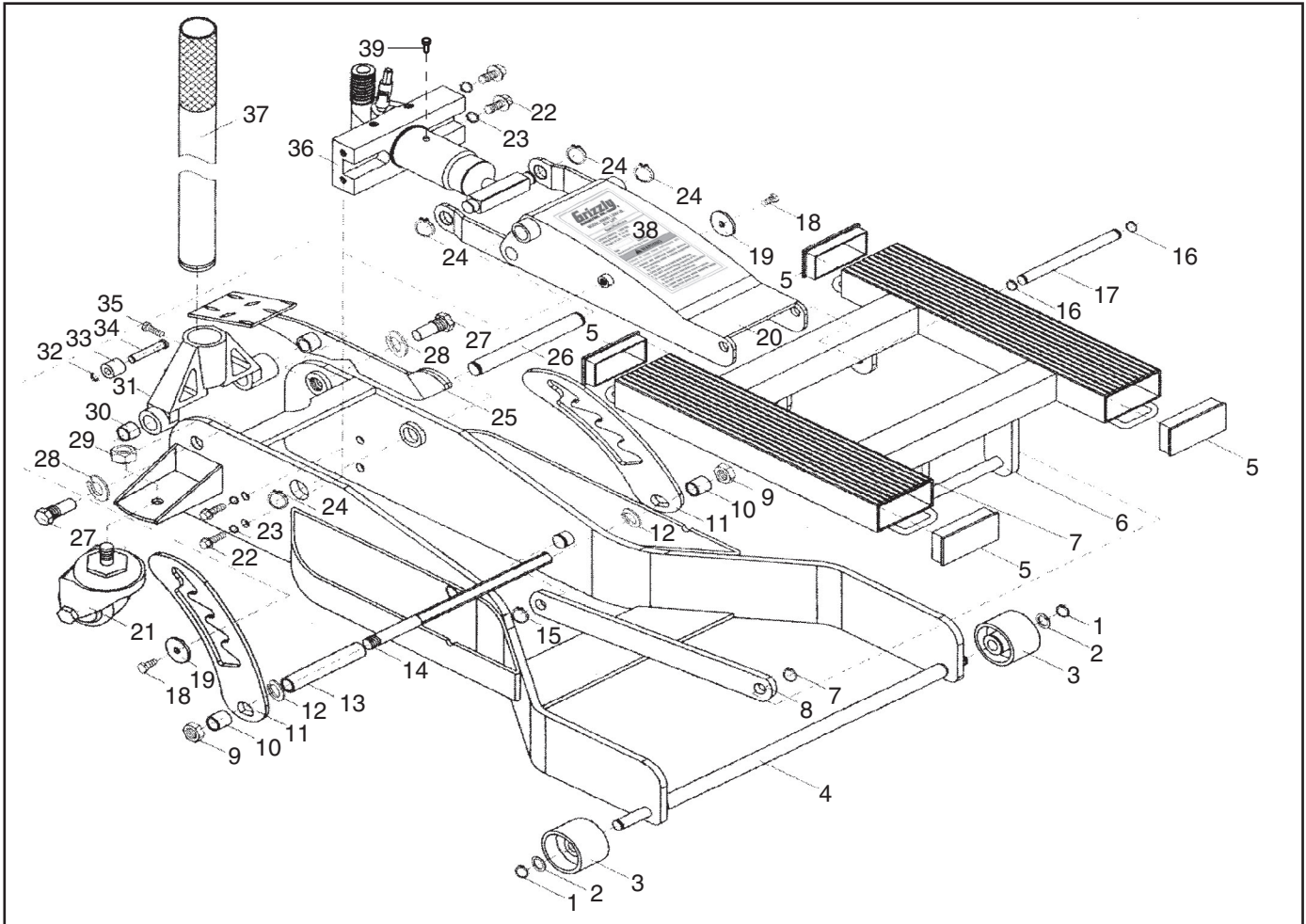
If the jack becomes spongy or will not rise when pumped, then air bubbles may be in the hydraulic system.

To remove the air bubbles:

1. Remove the fill plug.
2. Rotate the pump handle counterclockwise one full turn.
3. Pump the handle quickly ten times to purge the air from the system.
4. Replace the fill plug and test the operation of the jack.

—If the jack did not perform properly, then air may need to be bled from the pump system again.

H8095 Parts Breakdown and List



| REF | PART # | DESCRIPTION |
|-----|-----------|-------------------------|
| 1 | PR06M | EXT RETAINING RING 16MM |
| 2 | PW08M | FLAT WASHER 16MM |
| 3 | PH8095003 | FRONT WHEEL |
| 4 | PH8095004 | BASE ASSEMBLY |
| 5 | PH8095005 | PLASTIC END CAP |
| 6 | PH8095006 | SADDLE ASSEMBLY |
| 7 | PH8095007 | RUBBER CUSHION |
| 8 | PH8095008 | POLE |
| 9 | PN13M | HEX NUT M16-2 |
| 10 | PH8095010 | BUSHING |
| 11 | PH8095011 | RATCHET PLATE |
| 12 | PLW10M | LOCK WASHER 16MM |
| 13 | PH8095013 | AXLE COVER |
| 14 | PH8095014 | SAFETY AXLE |
| 15 | PR07M | EXT RETAINING RING 18MM |
| 16 | PR02M | EXT RETAINING RING 14MM |
| 17 | PH8095017 | SADDLE FIXING AXLE |
| 18 | PB06M | HEX BOLT M8-1.25 X 12 |
| 19 | PW01M | FLAT WASHER 8MM |
| 20 | PH8095020 | LIFTING ARM |

| REF | PART # | DESCRIPTION |
|-----|-----------|--------------------------|
| 21 | PH8095021 | REAR CASTER |
| 22 | PH8095022 | FLANGE BOLT M10-1.5 X 20 |
| 23 | PR01M | EXT RETAINING RING 10MM |
| 24 | PR09M | EXT RETAINING RING 20MM |
| 25 | PH8095025 | PEDAL ASSEMBLY |
| 26 | PH8095026 | LIFTING ARM FIXING POLE |
| 27 | PH8095027 | SOCKET BOLT |
| 28 | PLW07M | LOCK WASHER 20MM |
| 29 | PLN09M | LOCK NUT M12-1.75 |
| 30 | PH8095030 | FIXING PIPE |
| 31 | PH8095031 | HANDLE SOCKET |
| 32 | PR39M | EXT RETAINING RING 8MM |
| 33 | PH8095033 | PRESS WHEEL |
| 34 | PH8095034 | PRESS WHEEL SHAFT |
| 35 | PB09M | HEX BOLT M8-1.25 X 20 |
| 36 | PH8095036 | PUMP ASSEMBLY |
| 37 | PH8095037 | HANDLE |
| 38 | PH8095038 | MACHINE ID LABEL |
| 39 | PH8095039 | FILL PLUG |

WARNING

The machine ID label warns about hazards and ways to prevent injury. The owner of the jack **MUST** maintain the original location and readability of the label. If the label is removed or becomes unreadable, contact Grizzly at (800) 523-4777 or www.grizzly.com to order a new label.

grizzly.com

TOOL WEBSITE

Buy Direct and Save with Grizzly® – Trusted, Proven and a Great Value!

*Visit Our Website Today And Discover
Why Grizzly® Is The Industry Leader!*

- SECURE ORDERING
- ORDERS SHIPPED WITHIN 24 HOURS
- E-MAIL RESPONSE WITHIN ONE HOUR

-OR-

Call Today For A **FREE**
Full Color Catalog

1-800-523-4777



Free Manuals Download Website

<http://myh66.com>

<http://usermanuals.us>

<http://www.somanuals.com>

<http://www.4manuals.cc>

<http://www.manual-lib.com>

<http://www.404manual.com>

<http://www.luxmanual.com>

<http://aubethermostatmanual.com>

Golf course search by state

<http://golfingnear.com>

Email search by domain

<http://emailbydomain.com>

Auto manuals search

<http://auto.somanuals.com>

TV manuals search

<http://tv.somanuals.com>