

Panther™

panthercarts.com

HEAVY-DUTY WAGON WITH WOOD SIDES MODEL G7112 INSTRUCTION SHEET



COPYRIGHT © MARCH, 2004 BY GRIZZLY INDUSTRIAL, INC.
**WARNING: NO PORTION OF THIS MANUAL MAY BE REPRODUCED IN ANY SHAPE
OR FORM WITHOUT THE WRITTEN APPROVAL OF GRIZZLY INDUSTRIAL, INC.**
#6184 PRINTED IN CHINA

PARTS INVENTORY

The Model G7112 was carefully packed when it left our warehouse. If you discover the machine is damaged after you have signed for delivery, *please immediately call Customer Service at (570) 546-9663 for advice.*

Save the containers and all packing materials for possible inspection by the carrier or its agent. *Otherwise, filing a freight claim can be difficult.*

When you are completely satisfied with the condition of your shipment, you should inventory the contents.

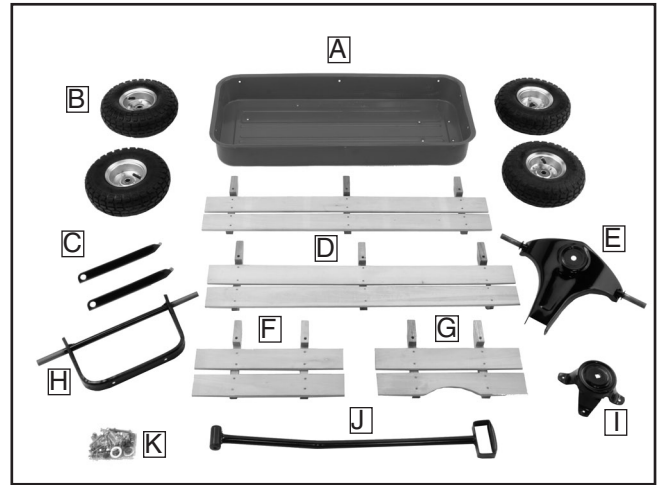


Figure 1. Main contents.

Figure 1 - Main Contents.

A.	Bed	1
B.	Tires 4.10/3.50	4
C.	Rear Axle Braces	2
D.	Left/Right Wood Stake Sides	2
E.	Front Axle Assembly	1
F.	Rear Wood Stake Side.....	1
G.	Front Wood Stake Side	1
H.	Rear Axle Assembly.....	1
I.	Steering Bracket.....	1
J.	Pull Handle	1
K.	Bolt Bag.....	1
	—Slot Head Screws M6-1.0 x 45.....	10
	—Slot Head Screw M6-1.0 x 75.....	1
	—Flat Washers 6mm	19
	—Hex Nuts M6-1.0.....	9
	—Acorn Nuts M6-1.0.....	10
	—Lock Washers 6mm.....	9
	—Flat Head Screws M6-1.0 x 16	8
	—Flat Washers 16mm	4
	—Plastic Axle Caps.....	4
	—Cotter Pins $\frac{3}{32}$ " x $1\frac{1}{2}$ "	5
	—Special Bolt M10-1.5 x 23	1
	—Flat Washer 10mm	1
	—Hex Nut M10-1.5	1

! WARNING

Children may climb into plastic bags and suffocate. Keep all plastic bags included in packaging out of the reach of children.

! CAUTION

Adult supervision is always required while this wagon is being used by children.

ASSEMBLY INSTRUCTIONS

FRONT SUPPORT ASSEMBLY

1. Attach the steering bracket to the front axle assembly with the special bolt, 10mm flat washer, and hex nut. Insert the cotter pin through the hole of the special bolt, and spread. Do not overtighten.
2. With the bed upside down, mount the steering bracket to the bed with four M6-1.0 flat head screws, flat washers, lock washers, and hex nuts. **Figure 2** shows the steering bracket properly mounted to the bed.



Figure 2. Steering bracket and front axle assembly mounted to the bed.

REAR AXLE ASSEMBLY & WHEELS

1. Loosely mount the rear axle support to the bed using two M6-1.0 x 16 flat head screws, flat washers, lock washers, and hex nuts.
2. Slide the rear axle braces onto the rear axles and bolt the opposite ends of the braces to the bed using the remaining M6-1.0 x 16 flat head screws, flat washers, lock washers, and hex nuts.
3. Tighten the rear axle support.
4. Slide a wheel onto each axle with the valve stems to the outside.
5. Insert and spread a cotter pin into each axle, and place the plastic axle caps into the axles.

WOOD STAKE SIDES & PULL HANDLE

1. Turn the wagon right side up.
2. Mount the left and right rear wood stake sides to the outside of the bed with M6-1.0 x 45 slot head screws, flat washers, and acorn nuts, as shown in **Figure 3**.

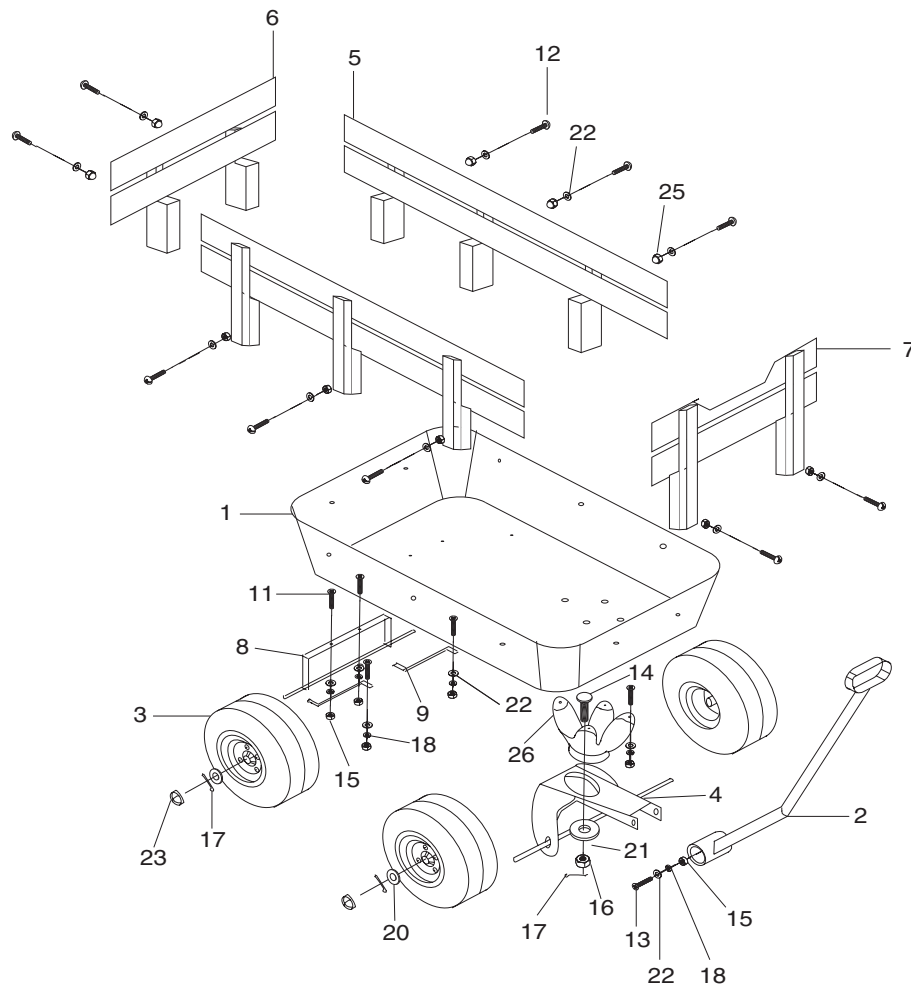


Figure 3. Wood stake side mounted to the outside of the bed.

3. Mount the front wood stake side to the outside of the bed with M6-1.0 x 45 slot head screws, flat washers, and acorn nuts.
4. Mount the rear wood stake side to the outside of the bed with M6-1.0 x 45 slot head screws, flat washers, and acorn nuts.
5. Using the M6-1.0 x 75 slot head screw, M6-1.0 hex nut, flat washer, and lock washer, attach the pull handle with the to the opening in the front axle support.

If you need additional help with this procedure, call our service department at: (570) 546-9663.

G7112 Parts Breakdown and List



REF	PART#	DESCRIPTION
1	P7112001	BED
2	P7112002	PULL HANDLE
3	P7112003	TIRES 4.10/3.50
4	P7112004	FRONT AXLE ASSEMBLY
5	P7112005	L/R WOOD STAKE SIDE
6	P7112006	REAR WOOD STAKE SIDE
7	P7112007	FRONT WOOD STAKE SIDE
8	P7712008	REAR AXLE ASSEMBLY
9	P7112009	REAR AXLE BRACE
11	PFH38M	FLAT HD SCR M6-1 x 16
12	PS83M	PHLP HD SCR M6-1 x 45
13	PS84M	PHLP HD SCR M6-1 x 75

REF	PART#	DESCRIPTION
14	P7112014	SPECIAL BOLT M10-1.5 x 23
15	PN01M	HEX NUT M6-1
16	PN02M	HEX NUT M10-1.5
17	P7112017	COTTER PIN 3/32 x 1-1/2
18	PLW03M	LOCK WASHER 6MM
20	PW08M	FLAT WASHER 16MM
21	PW04M	FLAT WASHER 10MM
22	PW03M	FLAT WASHER 6MM
23	P7112023	PLASTIC AXLE CAP
25	PN35M	ACORN NUT M6-1
26	P7112026	STEERING BRACKET

Free Manuals Download Website

<http://myh66.com>

<http://usermanuals.us>

<http://www.somanuals.com>

<http://www.4manuals.cc>

<http://www.manual-lib.com>

<http://www.404manual.com>

<http://www.luxmanual.com>

<http://aubethermostatmanual.com>

Golf course search by state

<http://golfingnear.com>

Email search by domain

<http://emailbydomain.com>

Auto manuals search

<http://auto.somanuals.com>

TV manuals search

<http://tv.somanuals.com>