

**BELT/DISC SANDER  
MODEL G3105  
INSTRUCTION MANUAL**



COPYRIGHT © 1991 BY GRIZZLY INDUSTRIAL, INC.  
**WARNING: NO PORTION OF THIS MANUAL MAY BE REPRODUCED IN ANY SHAPE  
OR FORM WITHOUT THE WRITTEN APPROVAL OF GRIZZLY INDUSTRIAL, INC.**  
REVISED APRIL, 1999. PRINTED IN U.S.A.



# **WARNING!**

**Some dust created by power sanding, sawing, grinding, drilling, and other construction activities contains chemicals known to the State of California to cause cancer, birth defects or other reproductive harm. Some examples of these chemical are:**

- **Lead from lead-based paints.**
- **Crystalline silica from bricks, cement and other masonry products.**
- **Arsenic and chromium from chemically-treated lumber.**

**Your risk from these exposures varies, depending on how often you do this type of work. To reduce your exposure to these chemicals: Work in a well ventilated area, and work with approved safety equipment, such as those dust masks that are specially designed to filter out microscopic particles.**

# Table Of Contents

	PAGE
<b>1. SAFETY</b>	
SAFETY RULES FOR ALL TOOLS .....	2-3
ADDITIONAL SAFETY INSTRUCTIONS FOR SANDERS .....	4
<b>2. CIRCUIT REQUIREMENTS</b>	
110V OPERATION .....	5
FUSING .....	5
EXTENSION CORDS .....	5
GROUNDING .....	5
<b>3. INTRODUCTION</b>	
COMMENTARY .....	6
UNPACKING.....	7
PARTS INVENTORY .....	7
CLEAN UP .....	8
SITE CONSIDERATIONS .....	8
<b>4. ASSEMBLY</b>	
OVERVIEW.....	9
OUTSIDE BELT GUARD .....	10
BELT TABLE .....	10
LOWER BELT GUARD.....	10
DISC TABLE BRACKET .....	11
DISC TABLE.....	11
HORIZONTAL STOP .....	11
<b>5. ADJUSTMENTS</b>	
BELT TENSION .....	12
BELT TRACKING .....	12
BELT PLATEN .....	12
<b>6. OPERATIONS</b>	
TEST RUN .....	13
GENERAL SANDING .....	13
BELT SANDING .....	13
INSIDE SANDING .....	14
CONTOUR SANDING .....	14
SHARPENING .....	14
<b>7. MAINTENANCE</b>	
GENERAL.....	15
SANDER TABLES .....	15
LUBRICATION .....	15
DISC & BELT REPLACEMENT .....	15
<b>8. CLOSURE</b> .....	16
<b>MACHINE DATA</b> .....	17
<b>PARTS DIAGRAMS &amp; LISTS</b> .....	18-19
<b>TROUBLESHOOTING</b> .....	20
<b>WARRANTY AND RETURNS</b> .....	22

# SECTION 1: SAFETY

## WARNING

### For Your Own Safety Read Instruction Manual Before Operating This Equipment

The purpose of safety symbols is to attract your attention to possible hazardous conditions. This manual uses a series of symbols and signal words which are intended to convey the level of importance of the safety messages. The progression of symbols is described below. Remember that safety messages by themselves do not eliminate danger and are not a substitute for proper accident prevention measures.



Indicates an imminently hazardous situation which, if not avoided, WILL result in death or serious injury.



Indicates a potentially hazardous situation which, if not avoided, COULD result in death or serious injury.



Indicates a potentially hazardous situation which, if not avoided, MAY result in minor or moderate injury. It may also be used to alert against unsafe practices.

## NOTICE

This symbol is used to alert the user to useful information about proper operation of the equipment.

## WARNING

### Safety Instructions For Power Tools

- KEEP GUARDS IN PLACE** and in working order.
- REMOVE ADJUSTING KEYS AND WRENCHES.** Form habit of checking to see that keys and adjusting wrenches are removed from tool before turning on.
- KEEP WORK AREA CLEAN.** Cluttered areas and benches invite accidents.
- DON'T USE IN DANGEROUS ENVIRONMENT.** Don't use power tools in damp or wet locations, or where any flammable or noxious fumes may exist. Keep work area well lighted.
- KEEP CHILDREN AND VISITORS AWAY.** All children and visitors should be kept a safe distance from work area.
- MAKE WORK SHOP CHILD PROOF** with padlocks, master switches, or by removing starter keys.
- DON'T FORCE TOOL.** It will do the job better and safer at the rate for which it was designed.
- USE RIGHT TOOL.** Don't force tool or attachment to do a job for which it was not designed.

# WARNING

## Safety Instructions For Power Tools

- 9. USE PROPER EXTENSION CORD.** Make sure your extension cord is in good condition. Conductor size should be in accordance with the chart below. The amperage rating should be listed on the motor or tool nameplate. An undersized cord will cause a drop in line voltage resulting in loss of power and overheating. Your extension cord must also contain a ground wire and plug pin. Always repair or replace extension cords if they become damaged.

Minimum Gauge for Extension Cords

AMP RATING	LENGTH		
	25ft	50ft	100ft
0-6	18	16	16
7-10	18	16	14
11-12	16	16	14
13-16	14	12	12
17-20	12	12	10
21-30	10	10	No

- 10. WEAR PROPER APPAREL.** Do not wear loose clothing, gloves, neckties, rings, bracelets, or other jewelry which may get caught in moving parts. Non-slip footwear is recommended. Wear protective hair covering to contain long hair.
- 11. ALWAYS USE SAFETY GLASSES.** Also use face or dust mask if cutting operation is dusty. Everyday eyeglasses only have impact resistant lenses, they are NOT safety glasses.
- 12. SECURE WORK.** Use clamps or a vise to hold work when practical. It's safer than using your hand and frees both hands to operate tool.
- 13. DON'T OVERREACH.** Keep proper footing and balance at all times.
- 14. MAINTAIN TOOLS WITH CARE.** Keep tools sharp and clean for best and safest performance. Follow instructions for lubricating and changing accessories.
- 15. DISCONNECT TOOLS** before servicing and changing accessories, such as blades, bits, cutters, and the like.
- 16. REDUCE THE RISK OF UNINTENTIONAL STARTING.** Make sure switch is in off position before plugging in.
- 17. USE RECOMMENDED ACCESSORIES.** Consult the owner's manual for recommended accessories. The use of improper accessories may cause risk of injury.
- 18. CHECK DAMAGED PARTS.** Before further use of the tool, a guard or other part that is damaged should be carefully checked to determine that it will operate properly and perform its intended function. Check for alignment of moving parts, binding of moving parts, breakage of parts, mounting, and any other conditions that may affect its operation. A guard or other part that is damaged should be properly repaired or replaced.
- 19. NEVER LEAVE TOOL RUNNING UNATTENDED. TURN POWER OFF.** Don't leave tool until it comes to a complete stop.

## **WARNING**

# Additional Safety Instructions For Sanders

1. **BE AWARE OF BELT** or disc rotation when sanding.
2. **KEEP FINGERTIPS AWAY** from the moving belt or disc. Serious injury could result if skin contacts abrasives or moving parts.
3. **NEVER USE EXCESSIVE FORCE** when sanding. Doing this greatly increases the chances of personal injury and motor overload.
4. **ALWAYS FEED THE WORK** against the direction of rotation.
5. **EVEN IF YOU HAVE A** reliable method of dust collection, use a dust mask or respirator when sanding, as well as eye and ear protection.
6. **IF THERE IS ANY** doubt as to the stability or integrity of the material to be sanded, **don't sand it.**
7. **DO NOT OPERATE SANDER** with a damaged or badly worn disc or belt.
8. **WHEN DISC SANDING**, feed material into the portion of the disc spinning *down* toward the table.
9. **TIE BACK LONG HAIR** and remove any loose-fitting clothing or jewelry that could be caught up in the sander's disc, belt, or other moving machine parts.
10. **HABITS — GOOD OR BAD —** are hard to break. Develop good habits and safety will become second nature to you.

## **WARNING**

Like all power tools, there is danger associated with the Model G3105 Belt/Disc Sander. Accidents are frequently caused by lack of familiarity or failure to pay attention. Use this tool with respect and caution to lessen the possibility of operator injury. If normal safety precautions are overlooked or ignored, serious personal injury may occur.

## **CAUTION**

No list of safety guidelines can be complete. Every shop environment is different. Always consider safety first, as it applies to your individual working conditions. Use this and other machinery with caution and respect. Failure to follow guidelines could result in serious personal injury, damage to equipment or poor work results.

## **WARNING**

Operation of this equipment has the potential to propel debris into the air which can cause eye injury. Always wear safety glasses or goggles when operating equipment. Everyday glasses or reading glasses only have impact resistant lenses, they are not safety glasses. Be certain the safety glasses you wear meet the appropriate standards of the American National Standards Institute (ANSI).

# SECTION 2: CIRCUIT REQUIREMENTS

## 110V Operation

The Model G3105 is wired for 110/120V, single phase operation only. The ½ HP motor will safely draw 3 amps at 110V. If you operate this sander on any circuit that is already close to its capacity, it might blow a fuse or trip a circuit breaker. However, if an unusual load does not exist and a power failure still occurs, contact a qualified electrician or our service department.



## Fusing

A 15-amp fuse or circuit breaker should be used when fusing this combination sander. Circuits rated any higher are not adequate to protect the motor from power surges.

Equipment returned to us for service that shows evidence of being over-fused will be repaired or replaced totally at the customer's expense, regardless of the present warranty status.



## Extension Cords

If you find it necessary to use an extension cord with the Model G3105, make sure the cord is rated Hard Service (grade S) or better. Refer to the chart in the standard safety instructions to determine the minimum gauge for the extension cord. The extension cord must also contain a ground wire and plug pin. Always repair or replace extension cords when they become worn or damaged.



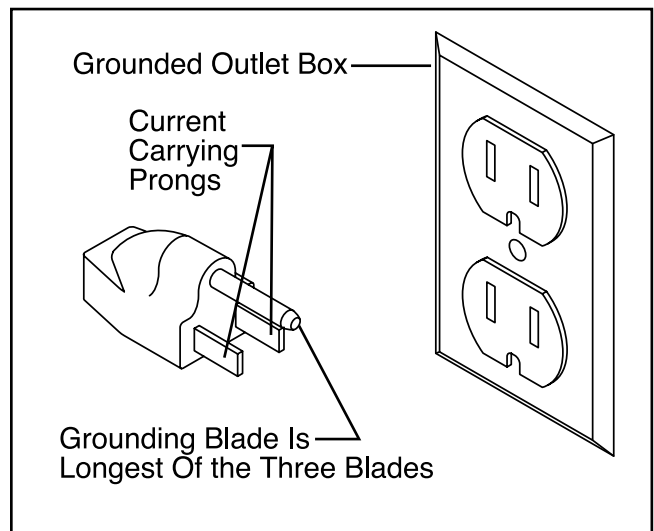
G3105 Combination Sander

## Grounding

In the event of an electrical short, grounding reduces the risk of electric shock by providing a path of least resistance to disperse electric current. This tool is equipped with a power cord having an equipment-grounding conductor. **See Figure 1.** The outlet must be properly installed and grounded in accordance with all local codes and ordinances.

### **⚠ WARNING**

**This equipment must be grounded. Verify that any existing electrical outlet and circuit you intend to plug into is actually grounded. If it is not, it will be necessary to run a separate 12 A.W.G. copper grounding wire from the outlet to a known ground. Under no circumstances should the grounding pin from any three-pronged plug be removed. Serious injury may occur.**



**Figure 1.** Grounded plug configuration.



# SECTION 3: INTRODUCTION

---

---

## Commentary

---

---

We are proud to offer the Grizzly Model G3105 Combination Belt and Disc Sander. The Model G3105 is part of a growing Grizzly family of fine woodworking machinery. When used according to the guidelines set forth in this manual, you can expect years of trouble-free, enjoyable operation and proof of Grizzly's commitment to customer satisfaction.

The Model G3105 is a combination 1" x 42" belt and 6" disc sander that is capable of a wide variety of operations. The 1" wide belt enables you to sand small or finely-detailed pieces, or sharpen knives and tool blades as described later in this manual. With the 6" disc and table, larger surfaces can be sanded at many different angles. The G3105 comes complete with motor and electrical package.

A number of sanding discs and belts for the Model G3105 are available through the Grizzly catalog.

We are also pleased to provide this manual with the Model G3105. It was written to guide you through assembly, review safety considerations, and cover general operating procedures. It represents our effort to produce the best documentation possible. If you have any comments regarding this manual, please write to us at the address below:

Grizzly Industrial, Inc.  
% Technical Documentation  
P.O. Box 2069  
Bellingham, WA 98227-2069

Most importantly, we stand behind our machines. If you have any service questions or parts requests, please call or write us at the location listed below.

Grizzly Industrial, Inc.  
1203 Lycoming Mall Circle  
Muncy, PA 17756  
Phone: (570) 546-9663  
Fax: (800) 438-5901  
E-Mail: [techsupport@grizzly.com](mailto:techsupport@grizzly.com)  
Web Site: <http://www.grizzly.com>

The specifications, drawings, and photographs illustrated in this manual represent the Model G3105 as supplied when the manual was prepared. However, owing to Grizzly's policy of continuous improvement, changes may be made at any time with no obligation on the part of Grizzly. Whenever possible, though, we send manual updates to all owners of a particular tool or machine. Should you receive one, we urge you to insert the new information with the old and keep it for reference.

### CAUTION

**To operate this, or any power tool, safely and efficiently, it is essential to become as familiar with its characteristics as possible. The time you invest before you begin to use your Model G3105 will be time well spent. DO NOT operate this machine until you are completely familiar with the contents of this manual. Make sure you read and understand all of the safety procedures. If you do not understand something, DO NOT operate the machine.**





# Unpacking

---

---

This Combination Sander is shipped from the manufacturer in a carefully packed carton. If you discover the machine is damaged after you've signed for delivery, and the truck and driver are gone, you will need to file a freight claim with the carrier. Save the containers and all packing materials for possible inspection by the carrier or its agent. Without the packing materials, filing a freight claim can be difficult. *If you need assistance determining whether you need to file a freight claim, or with the procedure to file one, please contact our Customer Service.*

When you are completely satisfied with the condition of your shipment, you should inventory its parts.



# Parts Inventory

---

---

After all the parts have been removed from the carton, you should have:

- Sanding Unit
- Belt Guard
- Disc Table Bracket
- Disc Table
- Belt Table
- Miter Gauge
- 4 Knobs
- Fasteners
- Sanding Belt
- 4mm Allen® Wrench
- 8mm Allen® Wrench

Hardware	Location	Qty
Hex Bolts $\frac{5}{16}$ " - 18 x $\frac{1}{2}$ "	Disc Table Bracket	2
Flat Washers $\frac{5}{16}$ "	Disc Table Bracket	4
Knobs	Disc Table Bracket	2
Knobs	Belt Guard	2
Flat Washer $\frac{3}{8}$ "	Belt Table Bracket	1
Cap Screw $\frac{3}{8}$ " - 16 x $\frac{3}{4}$ "	Belt Table Bracket	1
Screw	Lower Belt Guard	1

## NOTICE

**A full parts list and breakdown can be found toward the end of this manual. For easier assembly, or to identify missing parts, please refer to the detailed illustrations at the end of the manual.**



# Clean Up

---

---

Unpainted machine surfaces may be coated with a waxy oil to protect it from corrosion during shipment. Remove this protective coating with a solvent cleaner or citrus-based degreaser. Avoid chlorine-based solvents as they may damage painted surfaces should they come in contact. Always follow the usage instructions on the product you choose for clean up.

## CAUTION

Many of the solvents commonly used to clean machinery can be highly flammable, and toxic when inhaled or ingested. Always work in well-ventilated areas far from potential ignition sources when dealing with solvents. Use care when disposing of waste rags and towels to be sure they do not create fire or environmental hazards. Keep children and animals safely away when cleaning and assembling this machine.

## WARNING

Do not use gasoline or other petroleum-based solvents to remove this protective coating. These products generally have low flash points which makes them extremely flammable. A risk of explosion and burning exists if these products are used. Serious personal injury may occur.



# Site Consideration

---

---

## BENCH LOAD

Your G3105 Combination Sander represents a relatively large weight load in a small footprint. Be sure that your workbench is adequately reinforced to support the weight of the sander.

## WORKING CLEARANCES

Working clearances can be thought of as the distances between machines and obstacles that allow safe operation of every machine without limitation. Ensure that your working area offers plenty of room for free movement and a substantial amount of distance between you and others that may be working in your shop area.

## LIGHTING AND OUTLETS

Lighting should be bright enough to eliminate shadow and prevent eye strain. Electrical circuits should be dedicated or large enough to handle combined motor amp loads. Outlets should be located near each machine so power or extension cords are not obstructing high-traffic areas. Be sure to observe local electrical codes for proper installation of new lighting, outlets, or circuits.

## CAUTION

Make your shop "child safe". Ensure that your workplace is inaccessible to youngsters by closing and locking all entrances when you are away. Never allow visitors in your shop when assembling, adjusting or operating equipment.



# SECTION 4: ASSEMBLY

## Overview

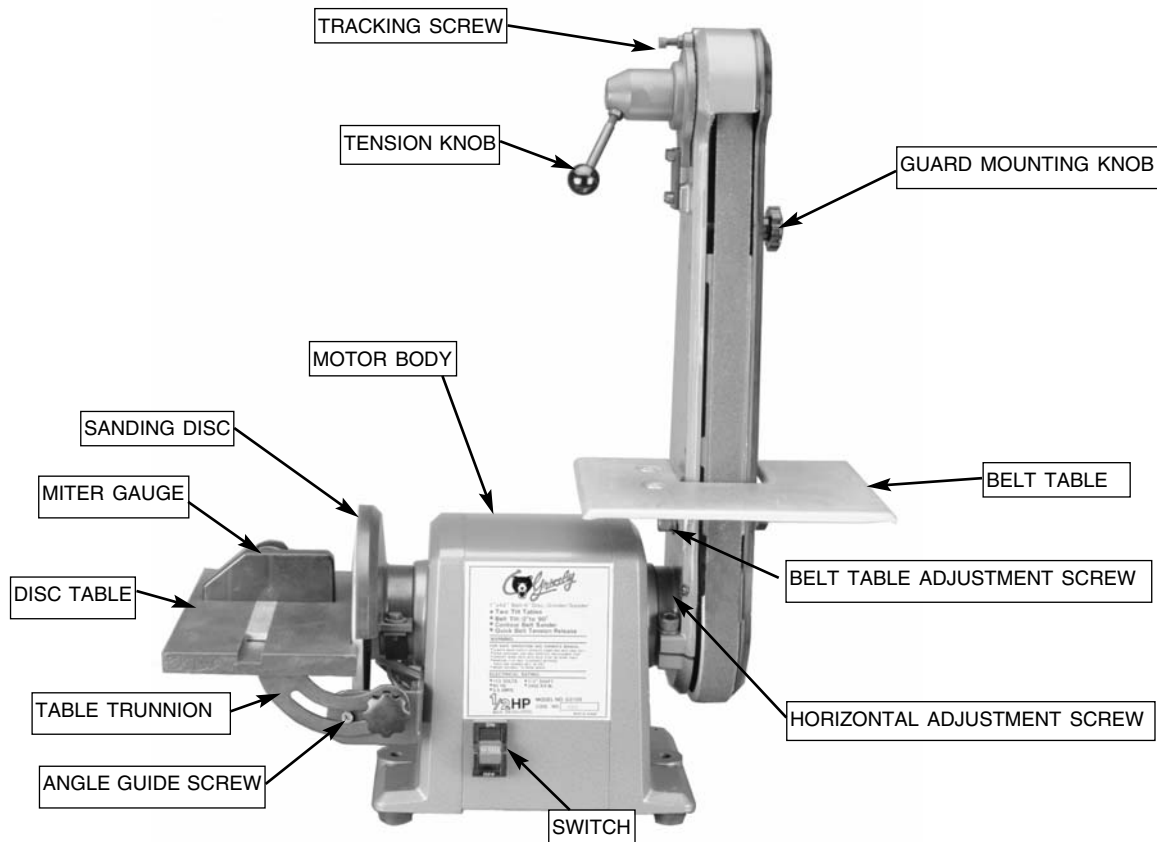
Most of your G3105 Belt and Disc Sander has been assembled at the factory. The few pieces that remain should go together quickly and easily. Only a few common tools are required to assemble your Combination Sander. Specifically, these are: 12mm open end wrench, Phillips® head screwdriver, 8mm Allen® wrench (provided with machine). The following list provides the recommended order in which the sander should be assembled:

- Outside Belt Guard
- Belt Table
- Disc Table Bracket
- Disc Table

Before beginning the assembly process, we recommend you become familiar with the Model G3105 Combination Sander's parts and controls. See **Figure 2** below, as well as the Parts Diagram at the end of the manual for details.

### **⚠ CAUTION**

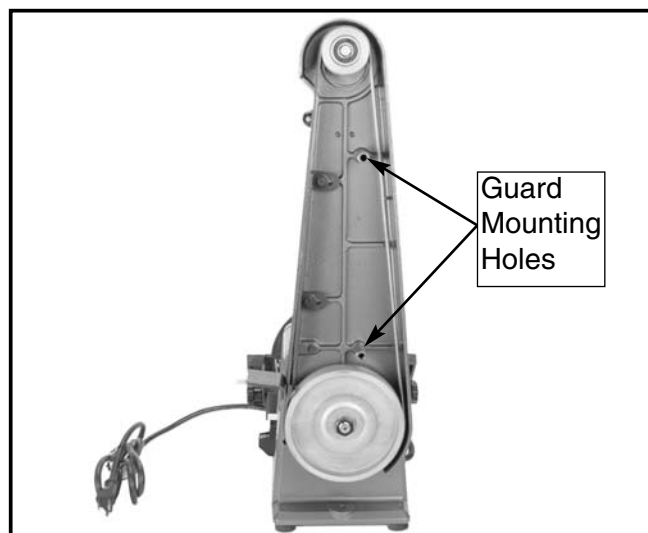
All die-cut metal parts have a sharp edge (called "flashing") on them after they are formed. This is generally removed at the factory. Sometimes a bit of flashing might escape inspection, and the sharp edge may cause cuts or lacerations when handled. Please examine the edges of all die-cut metal parts and file or sand the edge to remove the flashing before handling.



**Figure 2.** Major components of the G3105.

## Outside Belt Guard

Using two of the knobs provided, mount the outside belt guard to the cast-iron, inner belt guard. See **Figure 3**.

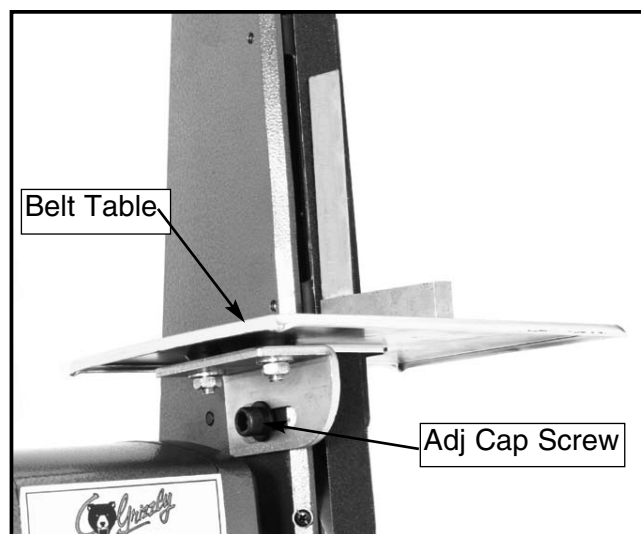


**Figure 3.** Outside belt guard attachment points.



## Belt Table

Use the  $\frac{3}{8}$ " - 16 x  $\frac{3}{4}$ " cap screw and  $\frac{3}{8}$ " washer to secure the table to the inner belt guard. The slotted bracket is provided to enable maximum adjustment. See **Figure 4**. Use a machinist's square to set the table to  $90^\circ$  to the face of the sanding belt. The table can also be tilted down an additional  $45^\circ$ . Simply loosen the cap screw and adjust to the desired angle.



**Figure 4.** Belt table properly mounted.



### **!WARNING**

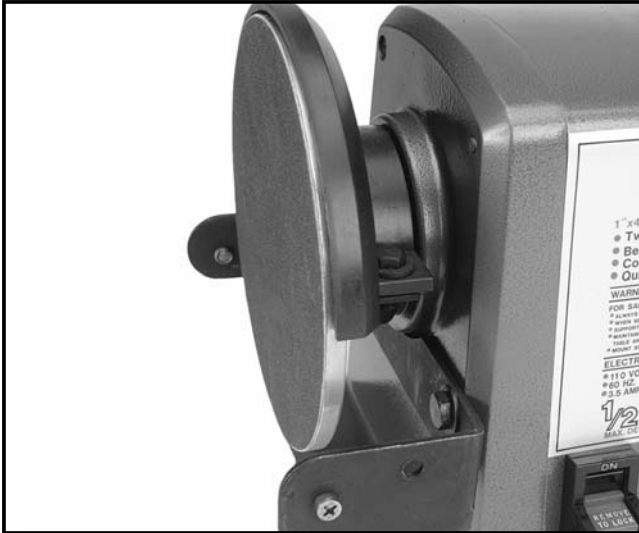
**DO NOT** attempt to turn on the machine during any step of the assembly process, unless instructed otherwise. Make sure the power switch is in the OFF position and the plug is disconnected from its power source during assembly. Failure to do so could result in injury or electrical shock.

---

---

## Disc Table Bracket

The disc table bracket mounts to the left side of the sanding unit, below the disc. Use the two hex bolts and washers provided. Tighten securely. See **Figure 5**.



**Figure 5.** Disc table bracket in place.



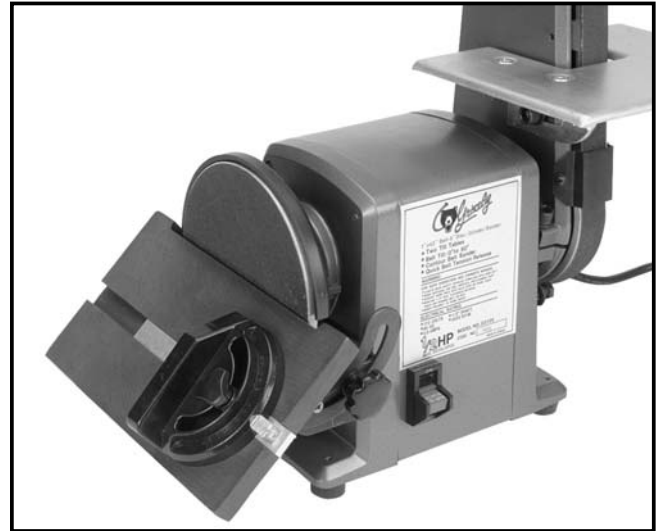
---

---

## Disc Table

1. Unscrew the table trunnion guide screws from the disc table bracket.
2. Mount the disc table to the bracket with two of the knobs and washers provided.
3. Reinstall the table trunnion guide screws into the disc table bracket so that they fit into the slots in the table trunnions.
4. Loosen the knobs to adjust the angle of the table. **Figure 6** shows the disc table at an angle.

The edge of the disc table should be approximately  $\frac{1}{16}$ " from the edge of the sanding disc. Please note the distance from the edge of the table to the sanding disc each time you change the table angle. If any discrepancy is seen, simply pull the table slightly so that it is lined up properly.



**Figure 6.** Sanding disc table in place.



# SECTION 5: Adjustments

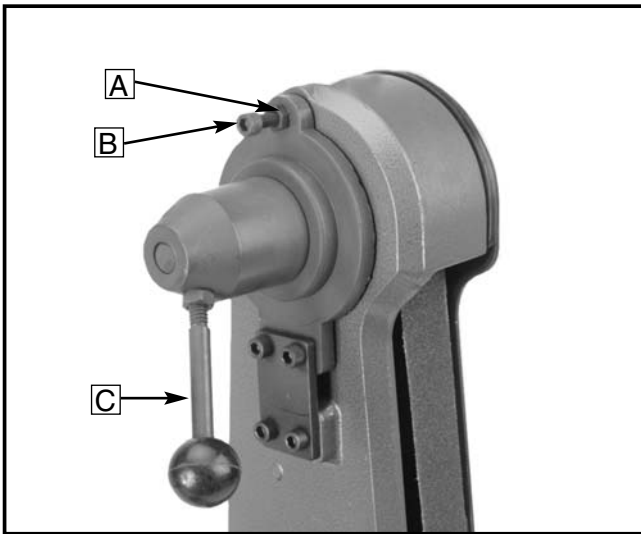


Figure 7. Adjustments for tension and tracking.

## Belt Tension

Belt tension is controlled by a spring loaded cam shaft. Push the Belt Tensioning Lever (**part C, Figure 8**) rearward to slacken the belt.



## Belt Tracking

Plug in the machine. Test the belt tracking by turning on the unit and quickly turning it off. Note the lateral movement of the belt. If the belt does not move off the rollers, the belt is tracking correctly. If the belt did move left or right off the rollers, tracking adjustment is necessary.

1. Loosen the Locknut (**part A, Figure 8**).
2. Use the 4mm Allen® wrench to turn the tracking adjustment bolt (**part B, Figure 8**). If the belt moves to the left, turn the adjusting bolt counterclockwise. If it moves to the right, turn the bolt clockwise.

3. With the machine running, adjust the tracking so the belt stays on the middle of the wheel.
4. Turn off the machine.
5. While holding the adjusting bolt in the proper position, tighten the locknut without changing the adjustment.



## Belt Platen

The belt platen should be adjusted so the belt just touches it. Loosen the two hex bolts and position the platen so it barely touches the belt. Tighten the two hex bolts securely. See **Figure 8**. If the platen is adjusted too far forward, it could adversely affect the belt tracking.

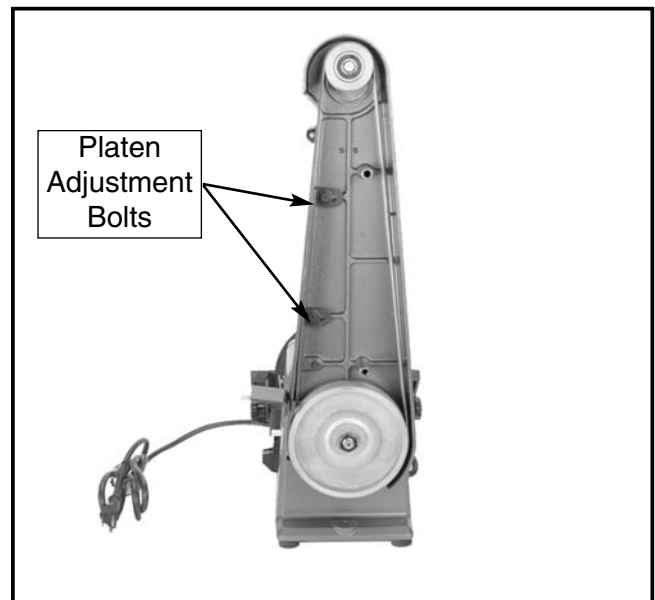


Figure 8. Platen adjustment.



# SECTION 6: Operations

## Test-Run

Before you put your Combination Sander into use, give it a quick inspection. Before inspecting, ensure that the machine is switched off and disconnected from its power source.

1. Are all fasteners tight?
2. Is the sanding belt properly tracked and tensioned?
3. Rotate disc slowly by hand. Look and listen for any scraping noises or anything that impedes smooth movement. Make appropriate adjustments before attempting to run the machine.
4. If the sander appears to be free of problems that might affect its operation, plug it in to its power source and start the machine. Be sure to keep a finger on the OFF button, just in case of a problem with the machine. Allow to run briefly to allow inspection of belt tracking.
5. Turn off the machine, disconnect it from its power source, and re-inspect for loose fasteners. If the tracking is not correct, refer to the tracking adjustment guidelines in the Adjustments section.

### WARNING

Never use the Model G3105 for applications other than those for which it was made. DO NOT overload the machine or use excess force when sanding. Severe personal injury, damage to the machine, or damage to your workpiece could occur.



## General Sanding

For general wood sanding, position and secure table, turn the machine on, and slowly feed your workpiece into the belt or disc. For disc sanding, note the direction of the disc's rotation and be sure to feed your workpiece into the disc's downward spin. Also, be sure to keep the work table about  $\frac{1}{16}$ " away from the belt or disc.



## Belt Sanding

The abrasive belt can be used to sand wood, deburr metal, or polish plastic and glass. The 1" belt size is convenient for sanding in corners and for concave edges. The belt is most efficient when used with the table. The belt housing can be tilted to a horizontal position by loosening the cap screw at the base and tilting the assembly back. Retighten the cap screw before beginning sanding. See **Figure 9**.

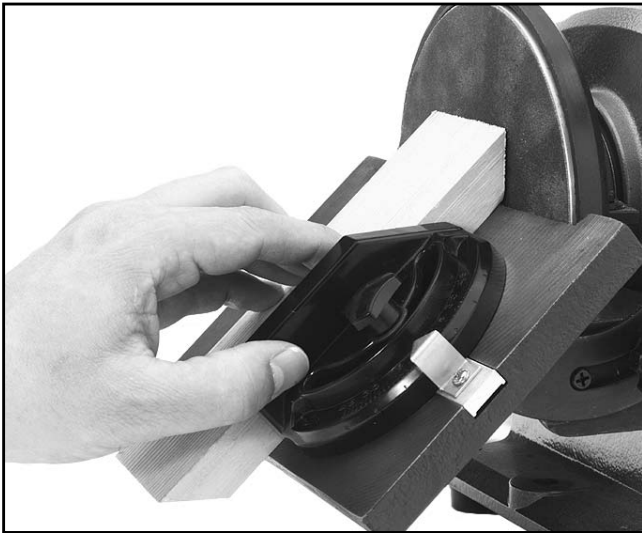


**Figure 9.** Horizontal tilt of belt sander.



# Disc Sanding

Disc sanding is well suited for finishing small flat surfaces and curved edges. The down (right) side of the disc is the working area. The disc moves fastest and removes the most material at the outer edge. A miter gauge that fits in the slot in the table is provided. Use it to secure the workpiece and to hold the proper angle when disc sanding. See **Figure 10**.



**Figure 10.** Disc sanding.

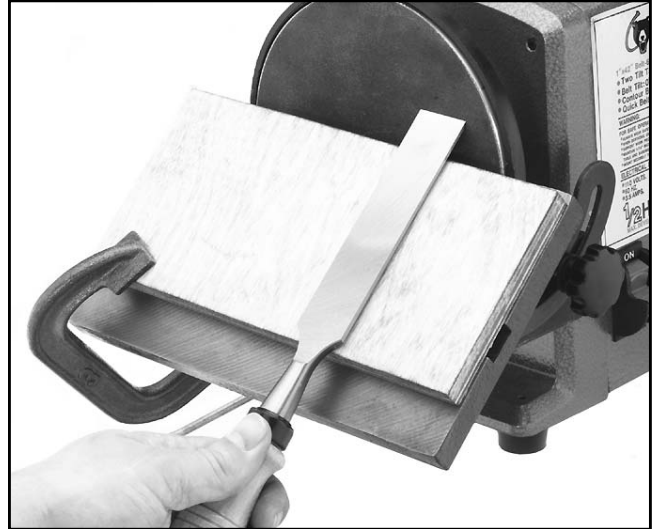


# Sharpening

Tilt table to the desired sharpening angle and tighten the locking knobs. Using C-Clamps, attach a suitable wood scrap to the table. This wood table should allow the flat shank of the chisel or knife to sit flat so the proper angle against the disc can be achieved. See **Figure 11**. This acts as an auxiliary table to support the workpiece. This table should be  $\frac{1}{16}$ " away from the belt. It may be necessary to cut a notch in your auxiliary table to achieve this clearance.

# NOTICE

When grinding or polishing metal, the use of a metal abrasive is recommended. The use of a grease stick may also be necessary when grinding soft metals such as aluminum or brass.



**Figure 11.** Auxiliary table for sharpening.

# Contour Sanding

Remove the platen to allow the 1" sanding belt to follow the shape of your workpiece. Slowly feed the workpiece into the belt. Do not apply too much pressure while sanding.



**Figure 12.** Contour sanding.



# SECTION 7: MAINTENANCE

---

---

## General

---

---

Make a habit of inspecting your sander each time you use it. Check for the following conditions and repair or replace when necessary.

1. Loose mounting bolts.
2. Worn switch.
3. Worn or damaged cords and plugs.
4. Poor belt tensioning / tracking.



## Sander Tables

---

---

The working table and other non-painted surfaces on the Model G3105 should be protected against rust and pitting. Some woodworkers recommend using automotive paste wax on exposed steel and cast iron surfaces. If you use paste wax, make sure that it's 100% Carnauba wax.



## Lubrication

---

---

Shielded and pre-lubricated ball bearings require no lubrication.

As for other items on this machine, such as roller shafts, use an occasional "shot" of light machine oil. Wipe off any sawdust or grit with a clean cloth before applying light oil.

## Belts and Discs

---

---

The Sanding Disc accepts 6" diameter cloth or paper backed sanding discs. The belt sander requires a 1" x 42" sanding belt. For disc or belt sanding, we recommend a 100 grit (medium) material for general purpose sanding, a 60 grit (coarse) material for rough work, and a 150 grit (fine) material for finish jobs.

### BELT REPLACEMENT

1. Remove the belt table and the belt guard.
2. Release tension on the belt.
3. Slip the belt off the top wheel and release the Belt Tensioning Lever.
4. Remove the belt from the machine.
5. Slide the new belt over the **lower wheel**, push back on the Belt Tensioning Lever, and slip the belt over the **top wheel**. Release the tension. **Note:** Make sure the directional arrows point down toward the table when installed.
6. Replace the belt guard and table.

### DISC REPLACEMENT

1. Remove Sanding Disc Table.
2. Carefully peel off old sanding disc paper. Make sure disc is free of all adhesives and foreign materials. **Do not** use petroleum-based solvents to clean the aluminum disc. This adversely affects adhesion.
3. Peel paper backing from new sanding paper disc.
4. Center the sanding disc on the aluminum disc. Hold in place for one minute using firm pressure.
5. Replace Sanding Disc Table.

# SECTION 8: CLOSURE

---

The following pages contain general machine data, parts diagrams/lists, troubleshooting guide and Warranty/Return information for your Model G3105 Combination Sander.

If you need parts or help in assembling your machine, or if you need operational information, we encourage you to call our Service Department. Our trained service technicians will be glad to help you.

If you have comments dealing specifically with this manual, please write to our Bellingham, Washington location using the address in *Section 3: Introduction*. The specifications, drawings, and photographs illustrated in this manual represent the Model G3105 as supplied when the manual was prepared. However, due to Grizzly's policy of continuous improvement, changes may be made at any time with no obligation on the part of Grizzly. Whenever possible, though, we send manual updates to all owners of a particular tool or machine. Should you receive one, add the new information to this manual and keep it for reference.

We have included some important safety measures that are essential to this machine's operation. While most safety measures are generally universal, Grizzly reminds you that each workshop is different and safety rules should be considered as they apply to your specific situation.

## WARNING

Operating this equipment has the potential to launch flying debris which could cause eye injury. Always wear safety glasses or goggles when operating equipment. Everyday glasses or reading glasses only have impact resistant lenses, they are not safety glasses. Be certain the safety glasses you wear meet the appropriate standards of the American National Standards Institute (ANSI).

We recommend you keep a copy of our current catalog for complete information regarding Grizzly's warranty and return policy. If you need additional technical information relating to this machine, or if you need general assistance or replacement parts, please contact the Service Department listed in *Section 3: Introduction*.

Additional information sources are necessary to realize the full potential of this machine. Trade journals, woodworking magazines, and your local library are good places to start.

## WARNING

The Model G3105 was specifically designed for sanding operations only. **DO NOT MODIFY AND/OR USE THIS MACHINE FOR ANY OTHER PURPOSE. Modifications or improper use of this tool will void the warranty.** If you are confused about any aspect of this machine, **DO NOT** use it until you have answered all your questions. **Serious personal injury may occur.**

## WARNING

Like all power tools, there is danger associated with the Model G3105 Combination Sander. Accidents are frequently caused by lack of familiarity or failure to pay attention. Use this tool with respect and caution to lessen the possibility of operator injury. If normal safety precautions are overlooked or ignored, serious personal injury may occur.





# MACHINE DATA SHEET

Customer Service #: (570) 326-3806 • To Order Call: (800) 523-4777 • Fax #: (800) 438-5901

## GRIZZLY MODEL G3105 BELT/DISC SANDER

Design Type..... Bench Model

### Overall Dimensions and Specifications:

Height .....22<sup>3</sup>/<sub>8</sub>"  
Width .....19"  
Depth .....10<sup>1</sup>/<sub>2</sub>"  
Belt Table .....6<sup>3</sup>/<sub>4</sub>" x 8<sup>1</sup>/<sub>8</sub>"  
Disc Table .....5" x 9"  
Belt Size .....1" x 42"  
Disc Size .....6"  
Belt Speed .....3600 FPM  
Shaft Diameter .....<sup>1</sup>/<sub>2</sub>"  
Shipping Weight .....26 lbs.  
Box Size.....23" L x 12" W x 10" H  
Footprint .....6" x 9"

### Construction:

Base .....Steel  
Table (Belt) .....Ground Cast Iron  
Table (Disc).....Stamped Steel  
Miter Gauge.....Die Cast Plastic / Aluminum Bar

### Motor:

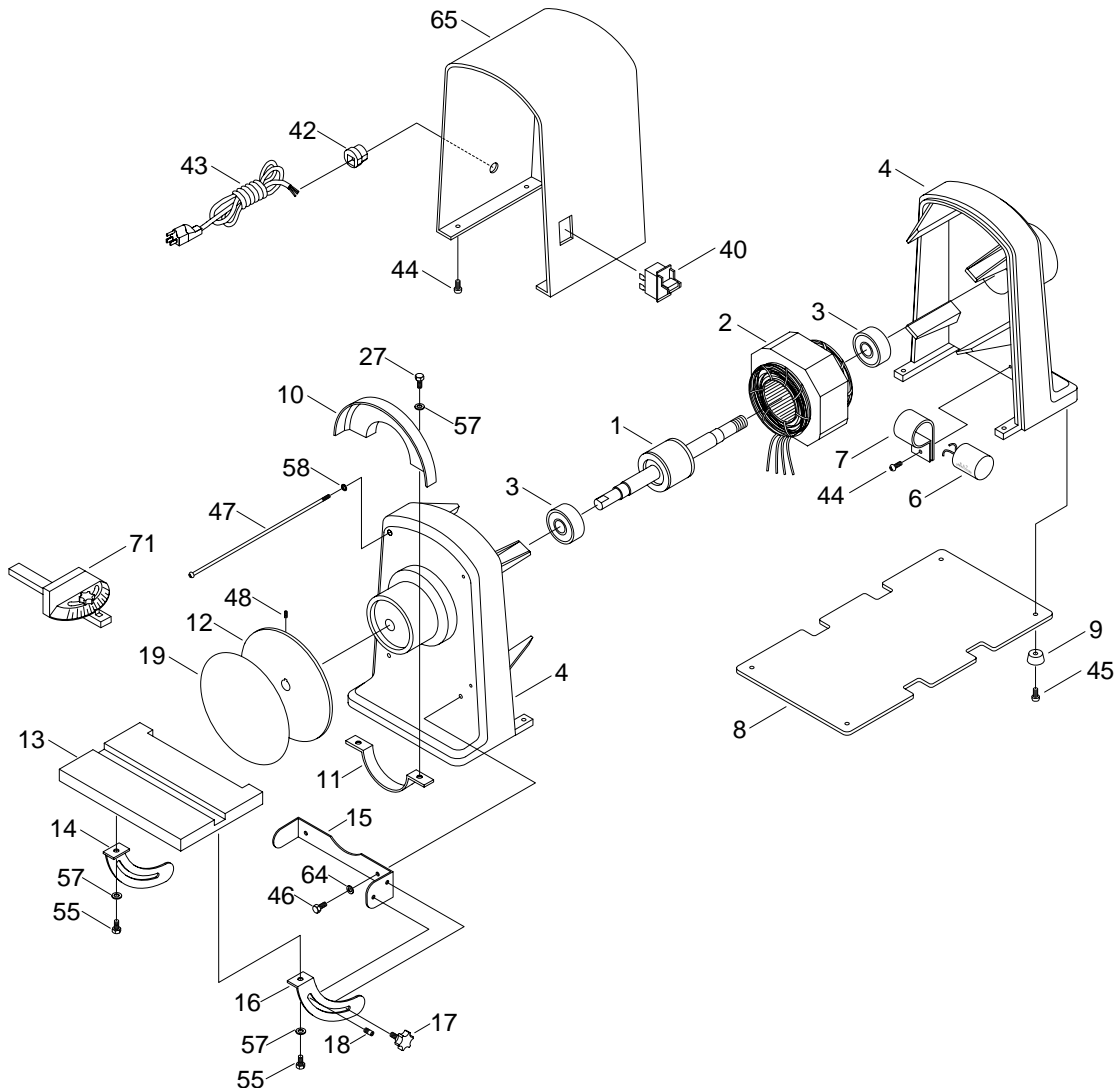
Type .....TEFC Capacitor Start Induction  
Horsepower.....<sup>1</sup>/<sub>2</sub> HP  
Phase / Voltage..... Single Phase / 110V  
Amps.....3  
Cycle / RPM.....60 Hertz / 3450 RPM  
Switch .....Toggle Safety Switch  
Power Transfer .....Direct Drive  
Bearings .....Shielded & Permanently Lubricated Ball

*Specifications, while deemed accurate, are not guaranteed.*

REVISED 4/99

# DIAGRAMS & PARTS LISTS

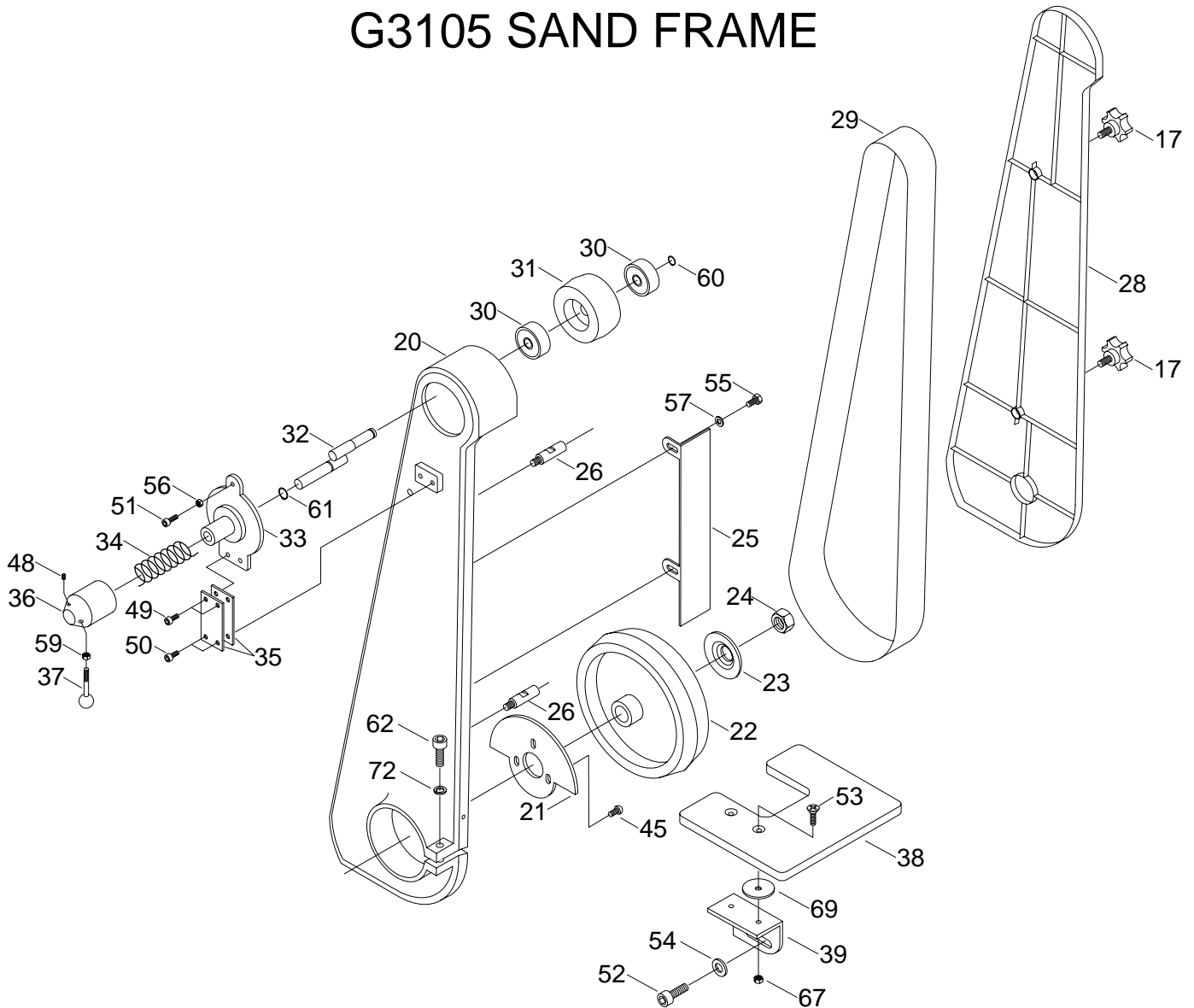
## G3105 MOTOR



REF	PART	DESCRIPTION
1	P3105001	ROTOR
2	P3105002	STATOR
3	P6202	BALL BEARING 6202
4	P3105004	MOTOR END BELL
6	P3105006	CAPACITOR
7	P3105007	CAPACITOR CLIP
8	P3105008	BOTTOM COVER
9	P3105009	RUBBER FOOT
10	P3105010	DISC GUARD
11	P3105011	DISC GUARD BRACKET
12	P3105012	SANDING PLATE
13	P3105013	DISC TABLE
14	P3105014	LEFT TRUNNION
15	P3105015	TABLE SUPPORT BRACKET
16	P3105016	RIGHT TRUNNION
17	P3105017	KNOB
18	P3105018	GUIDE PIN

REF	PART	DESCRIPTION
19	G1445	6" 60-GRIT DISC (3) PACK
20	P3105020	BELT HOUSING
21	P3105021	STOP BRACKET
22	P3105022	DRIVE WHEEL
23	P3105023	WHEEL FLANGE
24	PN06	HEX NUT 1/2" - 12
25	P3105025	BELT PLATEN
26	P3105026	GUARD SUPPORT
27	PB02	HEX BOLT 1/4" - 20 x 5/8"
28	P3105028	BELT GUARD
29	G1209	1"X42" 100-GRIT (2) PACK
30	P6200	BALL BEARING 6200
31	P3105031	TRACKING WHEEL
32	P3105032	TRACKING SHAFT
33	P3105033	TRACKING BRACKET
34	P3105034	TENSION SPRING

# G3105 SAND FRAME



REF	PART	DESCRIPTION
35	P3105035	SPRING PLATE
36	P3105036	SPRING CAP
37	P3105037	HANDLE W/KNOB
38	P3105038	BELT TABLE
39	P3105039	BELT TABLE BRACKET
40	P3105040	SWITCH
41	PS01	PHLP HD SCREW 10 - 24 x 1/2"
42	P3105042	STRAIN RELIEF
43	P3105043	POWER CORD
44	PS06	PHLP HD SCREW 10 - 24 x 3/8"
45	PS01	PHLP HD SCREW 10 - 24 x 1/2"
46	PB09	HEX BOLT 5/16" - 18 x 1/2"
47	P3105047	HOUSING SCREW
48	PSS04	SETSCREW 1/4" - 20 x 5/16"
49	PSB02	CAP SCREW 10 - 24 x 3/8"
50	PSB31	CAP SCREW 10 - 24 x 5/8"
51	PSB33	CAP SCREW 10 - 24 x 3/4"
52	PSB16	CAP SCREW 3/8" - 16 x 3/4"

REF	PART	DESCRIPTION
53	PFH06	FLAT HD SCREW 5/16" - 18 x 7/8"
54	PW02	FLAT WASHER 3/8"
55	PB19	HEX BOLT 1/4" - 20 X 1/2"
56	PN07	HEX NUT 10 - 24
57	PW06	FLAT WASHER 1/4"
58	PLW03	LOCK WASHER 3/16"
59	PN05	HEX NUT 1/4" - 20
60	PR01M	EXT RET RING 10mm
61	PR05M	EXT RET RING 15mm
62	PSB19	CAP SCREW 3/8" - 16 x 1 1/4"
64	PW07	FLAT WASHER 5/16"
65	P3105065	MOTOR SHROUD
67	PN02	HEX NUT 5/16" - 18
69	P3105069	SPACER
71	P3105071	MITER GAUGE
72	PLW04	LOCK WASHER 3/8"

# TROUBLESHOOTING

SYMPTOM	POSSIBLE CAUSE	CORRECTIVE ACTION
Motor will not start.	<ol style="list-style-type: none"> <li>1. Low voltage.</li> <li>2. Open circuit in motor or loose connections.</li> </ol>	<ol style="list-style-type: none"> <li>1. Check power line for proper voltage.</li> <li>2. Inspect all lead connections on motor for loose or open connections.</li> </ol>
Motor will not start; fuses or circuit breakers blow.	<ol style="list-style-type: none"> <li>1. Short circuit in line cord or plug.</li> <li>2. Short circuit in motor or loose connections.</li> <li>3. Incorrect fuses or circuit breakers in power line.</li> </ol>	<ol style="list-style-type: none"> <li>1. Inspect cord or plug for damaged insulation and shorted wires.</li> <li>2. Inspect all connections on motor for loose or shorted terminals or worn insulation.</li> <li>3. Install correct fuses or circuit breakers.</li> </ol>
Motor fails to develop full power (power output of motor decreases rapidly with decrease in voltage at motor terminals).	<ol style="list-style-type: none"> <li>1. Power line overloaded with lights, appliances, and other motors.</li> <li>2. Undersized wires or circuits too long.</li> <li>3. General overloading of power company facilities.</li> </ol>	<ol style="list-style-type: none"> <li>1. Reduce load on power line.</li> <li>2. Increase wire sizes or reduce length of wire.</li> <li>3. Request a power check from the power company.</li> </ol>
Motor overheats.	<ol style="list-style-type: none"> <li>1. Motor overloaded.</li> <li>2. Air circulation through the motor restricted.</li> </ol>	<ol style="list-style-type: none"> <li>1. Reduce load on motor.</li> <li>2. Clean out motor to provide normal air circulation.</li> </ol>
Motor stalls (resulting in blown fuses or tripped circuit).	<ol style="list-style-type: none"> <li>1. Short circuit in motor or loose connections.</li> <li>2. Low voltage.</li> <li>3. Incorrect fuses or circuit breakers in power line.</li> <li>4. Motor overloaded.</li> </ol>	<ol style="list-style-type: none"> <li>1. Inspect connections on motor for loose or shorted terminals or worn insulation.</li> <li>2. Correct the low voltage conditions.</li> <li>3. Install correct fuses or circuit breakers.</li> <li>4. Reduce load on motor.</li> </ol>
Machine slows down when operating.	Applying too much pressure to workpiece.	Feed workpiece slower.
Abrasive belt runs off top wheel.	Not tracking properly.	<ol style="list-style-type: none"> <li>1. Adjust tracking.</li> <li>2. Belt platen may be interfering. Adjust away from the belt.</li> </ol>

# NOTES

---

---

# WARRANTY AND RETURNS

---

Grizzly Industrial, Inc. warrants every product it sells for a period of **1 year** to the original purchaser from the date of purchase. This warranty does not apply to defects due directly or indirectly to misuse, abuse, negligence, accidents, repairs or alterations or lack of maintenance. This is Grizzly's sole written warranty and any and all warranties that may be implied by law, including any merchantability or fitness, for any particular purpose, are hereby limited to the duration of this written warranty. We do not warrant or represent that the merchandise complies with the provisions of any law or acts unless the manufacturer so warrants. In no event shall Grizzly's liability under this warranty exceed the purchase price paid for the product and any legal actions brought against Grizzly shall be tried in the State of Washington, County of Whatcom.

We shall in no event be liable for death, injuries to persons or property or for incidental, contingent, special, or consequential damages arising from the use of our products.

To take advantage of this warranty, contact us by mail or phone and give us all the details. We will then issue you a "Return Number", which must be clearly posted on the outside as well as the inside of the carton. We will not accept any item back without this number. Proof of purchase must accompany the merchandise.

The manufacturers reserve the right to change specifications at any time because they constantly strive to achieve better quality equipment. We make every effort to ensure that our products meet high quality and durability standards and we hope you never need to use this warranty.

Please feel free to write or call us if you have any questions about the machine or the manual.

Thank you again for your business and continued support. We hope to serve you again soon.



# WARRANTY CARD

Name \_\_\_\_\_  
Street \_\_\_\_\_  
City \_\_\_\_\_ State \_\_\_\_\_ Zip \_\_\_\_\_  
Phone Number \_\_\_\_\_ E-Mail \_\_\_\_\_ FAX \_\_\_\_\_  
MODEL # \_\_\_\_\_ Order # \_\_\_\_\_

The following information is given on a voluntary basis. It will be used for marketing purposes to help us develop better products and services. Of course, all information is strictly confidential.

- How did you learn about us?  
 Advertisement  Friend  
 Catalog  Card Deck  
 World Wide Web  
 Other \_\_\_\_\_
- Which of the following magazines do you subscribe to.  
 American Woodworker  Practical Homeowner  
 Cabinetmaker  Shop Notes  
 Family Handyman  Today's Homeowner  
 Fine Homebuilding  WOOD  
 Fine Woodworking  Wooden Boat  
 Home Handyman  Woodshop News  
 Journal of Light Construction  Woodsmith  
 Old House Journal  Woodwork  
 Popular Mechanics  Woodworker  
 Popular Science  Woodworker's Journal  
 Popular Woodworking  Workbench  
 Other \_\_\_\_\_
- Which of the following woodworking/remodeling shows do you watch?  
 Backyard America  The New Yankee Workshop  
 Home Time  This Old House  
 The American Woodworker  Woodwright's Shop  
 Other \_\_\_\_\_
- What is your annual household income?  
 \$20,000-\$29,999  \$60,000-\$69,999  
 \$30,000-\$39,999  \$70,000-\$79,999  
 \$40,000-\$49,999  \$80,000-\$89,999  
 \$50,000-\$59,999  \$90,000 +
- What is your age group?  
 20-29  50-59  
 30-39  60-69  
 40-49  70 +
- How long have you been a woodworker?  
 0 - 2 Years  8 - 20 Years  
 2 - 8 Years  20+ Years
- How would you rank your woodworking skills?  
 Simple  Advanced  
 Intermediate  Master Craftsman
- What stationary woodworking tools do you own? Check all that apply.  
 Air Compressor  Panel Saw  
 Band Saw  Planer  
 Drill Press  Power Feeder  
 Drum Sander  Radial Arm Saw  
 Dust Collector  Shaper  
 Horizontal Boring Machine  Spindle Sander  
 Jointer  Table Saw  
 Lathe  Vacuum Veneer Press  
 Mortiser  Wide Belt Sander  
 Other \_\_\_\_\_
- How many of your woodworking machines are Grizzly? \_\_\_\_\_
- Which benchtop tools do you own? Check all that apply.  
 1" x 42" Belt Sander  6" - 8" Grinder  
 5" - 8" Drill Press  Mini Lathe  
 8" Table Saw  10" - 12" Thickness Planer  
 8" - 10" Bandsaw  Scroll Saw  
 Disc/Belt Sander  Spindle/Belt Sander  
 Mini Jointer  
 Other \_\_\_\_\_
- How many of the machines checked above are Grizzly? \_\_\_\_\_
- Which portable/hand held power tools do you own? Check all that apply.  
 Belt Sander  Orbital Sander  
 Biscuit Joiner  Palm Sander  
 Circular Saw  Portable Planer  
 Detail Sander  Saber Saw  
 Drill/Driver  Reciprocating Saw  
 Miter Saw  Router  
 Other \_\_\_\_\_
- What machines/supplies would you like Grizzly Industrial to carry?  
 12" Table Saw  Radial Arm Saw  
 12" Jointer  Panel Saw  
 Combination Planer/Jointer  Brass Hardware  
 Paint & Finishing Supplies  Lumber  
 Contractor's Supplies  
 Other \_\_\_\_\_
- What new accessories would you like Grizzly Industrial to carry?  
 Builders Hardware  Hand Tools  
 Fasteners  Wood Components  
 Other \_\_\_\_\_
- What other companies do you purchase your tools and supplies from?  
\_\_\_\_\_  
\_\_\_\_\_
- Do you think your purchase represents good value?  
 Yes  No
- Would you recommend Grizzly Imports to a friend?  
 Yes  No
- Would you allow us to use your name as a reference for Grizzly customers in your area? **Note: We never use names more than three times.**  
 Yes  No
- Comments: \_\_\_\_\_  
\_\_\_\_\_  
\_\_\_\_\_

G3105 Combination Sander

FOLD ALONG DOTTED LINE

---

---

---

---

Place  
Stamp  
Here



**GRIZZLY INDUSTRIAL, INC.  
P.O. BOX 2069  
BELLINGHAM, WA 98227-2069**

---

FOLD ALONG DOTTED LINE

Send a Grizzly Catalog to a friend:

Name _____
Street _____
City _____ State _____ Zip _____

TAPE ALONG EDGES--PLEASE DO NOT STAPLE

## Free Manuals Download Website

<http://myh66.com>

<http://usermanuals.us>

<http://www.somanuals.com>

<http://www.4manuals.cc>

<http://www.manual-lib.com>

<http://www.404manual.com>

<http://www.luxmanual.com>

<http://aubethermostatmanual.com>

Golf course search by state

<http://golfingnear.com>

Email search by domain

<http://emailbydomain.com>

Auto manuals search

<http://auto.somanuals.com>

TV manuals search

<http://tv.somanuals.com>