

INDUSTRIAL, INC.

COMBINATION SANDER

MODEL G5049Z

INSTRUCTION MANUAL



COPYRIGHT © 1997 BY GRIZZLY INDUSTRIAL

**WARNING: NO PORTION OF THIS MANUAL MAY BE REPRODUCED IN ANY SHAPE
OR FORM WITHOUT THE WRITTEN APPROVAL OF GRIZZLY INDUSTRIAL, INC.**

OCTOBER, 1997. PRINTED IN TAIWAN

DISCONTINUED MACHINE MANUAL DISCLAIMER

THE INFORMATION IN THIS MANUAL REPRESENTS THE LAST CONFIGURATION OF THE MACHINE BEFORE IT WAS DISCONTINUED. MACHINE CONFIGURATIONS MAY HAVE CHANGED AS PRODUCT IMPROVEMENTS WERE INCORPORATED. IF YOU OWN AN EARLIER VERSION OF THE MACHINE, THIS MANUAL MAY NOT EXACTLY DEPICT YOUR MACHINE. CONTACT CUSTOMER SERVICE IF YOU HAVE ANY QUESTIONS ABOUT DIFFERENCES. PREVIOUS VERSIONS ARE NOT AVAILABLE ONLINE.

WARNING

Some dust created by power sanding, sawing, grinding, drilling, and other construction activities contains chemicals known to the State of California to cause cancer, birth defects or other reproductive harm. Some examples of these chemicals are:

- Lead from lead-based paints.
- Crystalline silica from bricks, cement, and other masonry products.
- Arsenic and chromium from chemically treated lumber.

Your risk from these exposures varies, depending on how often you do this type of work. To reduce your exposure to these chemicals: work in a well ventilated area, and work with approved safety equipment, such as those dust masks that are specially designed to filter out microscopic particles.

Table Of Contents

| | PAGE |
|---|-------|
| 1. SAFETY | 2 |
| SAFETY RULES FOR ALL TOOLS | 2 |
| ADDITIONAL SAFETY INSTRUCTIONS FOR SANDERS..... | 3 |
| 2. CIRCUIT REQUIREMENTS | 4 |
| 110V OPERATION | 4 |
| GROUNDING | 4 |
| 3. GENERAL INFORMATION | 5 |
| UNPACKING | 6 |
| PIECE INVENTORY | 6 |
| CLEAN UP..... | 7 |
| SITE CONSIDERATIONS | 7 |
| 4. ASSEMBLY | 8 |
| STAND/MOTOR | 8-9 |
| WIRING THE MOTOR | 9 |
| 5. ADJUSTMENTS | 10 |
| BELT REPLACEMENT..... | 10 |
| BELT TRACKING | 10 |
| BELT TENSIONING | 11 |
| 6. OPERATIONS | 12 |
| TEST RUN | 12 |
| HORIZONTAL SANDING | 12 |
| CURVED SANDING | 13 |
| DISC SANDING | 13 |
| 7. MAINTENANCE | 14 |
| LUBRICATION | 14 |
| V-BELT | 14 |
| TABLE | 14 |
| GENERAL..... | 14 |
| 8. CLOSURE | 15 |
| PART BREAKDOWNS | 16-20 |
| PART LIST | 21-22 |
| MACHINE DATA | 23 |
| WARRANTY AND RETURNS | 24 |

SECTION 1: SAFETY

WARNING: For Your Own Safety Read Instruction Manual Before Operating Sander

- a) Always wear eye protection.
- b) When belt sanding, support the workpiece with a miter gauge, backstop or the worktable.
- c) When disc sanding, support the workpiece on the worktable.
- d) Maintain $\frac{1}{16}$ " maximum clearance between the work table and the sanding belt or disc.

Safety Instructions For Power Tools

These safety rules cannot cover every situation in a work shop. Consider your conditions when setting up or operating your sander.

1. **KEEP GUARDS IN PLACE** and in working order.
2. **REMOVE ADJUSTING KEYS AND WRENCHES.** Form habit of checking to see that keys and adjusting wrenches are removed from tool before turning on.
3. **KEEP WORK AREA CLEAN.** Cluttered areas and benches invite accidents.
4. **DON'T USE IN DANGEROUS ENVIRONMENT.** Don't use power tools in damp or wet locations, or expose them to rain. Keep work area well lighted.
5. **KEEP CHILDREN AWAY.** All visitors should be kept a safe distance from work area.
6. **MAKE WORK SHOP KID PROOF** with padlocks, master switches, or by removing starter keys.
7. **DON'T FORCE TOOL.** It will do the job better and safer at the rate for which it was designed.
8. **USE RIGHT TOOL.** Don't force tool or attachment to do a job for which it was not designed.
9. **USE PROPER EXTENSION CORD.** Make sure your extension cord is in good condition. When using an extension cord, be sure it is rated Hard Service (grade S) or better. Conductor size must be 16 A.W.G. for cords up to 100 feet in length. An undersized cord will cause a drop in line voltage resulting in loss of power and overheating. Your extension cord must also contain a ground wire and plug pin. Always repair or replace extension cords if they become damaged. Minimum Gage for extension cord:

| | |
|-----------|-------|
| 16 A.W.G. | 50ft |
| 16 A.W.G. | 100ft |
| 14 A.W.G. | 200ft |
| 12 A.W.G. | 300ft |
10. **WEAR PROPER APPAREL** Do not wear loose clothing, gloves, neckties, rings, bracelets, or other jewelry which may get caught in moving parts. Non-slip footwear is recommended. Wear protective hair covering to contain long hair.
11. **ALWAYS USE SAFETY GLASSES.** Also use face or dust mask if cutting operation is dusty. Everyday eyeglasses only have impact resistant lenses, they are NOT safety glasses.

12. **SECURE WORK.** Use clamps or a vise to hold work when practical. It's safer than using your hand and frees both hands to operate tool.
13. **DON'T OVERREACH.** Keep proper footing and balance at all times.
14. **MAINTAIN TOOLS WITH CARE.** Keep tools sharp and clean for best and safest performance. Follow instructions for lubricating and changing accessories.
15. **DISCONNECT TOOLS** before servicing and changing accessories, such as blades, bits, cutters, and the like.
16. **REDUCE THE RISK OF UNINTENTIONAL STARTING.** Make sure switch is in off position before plugging in.
17. **USE RECOMMENDED ACCESSORIES.** Consult the owner's manual for recommended accessories. The use of improper accessories may cause risk of injury to persons.
18. **CHECK DAMAGED PARTS.** Before further use of the tool, a guard or other part that is damaged should be carefully checked to determine that it will operate properly and perform its intended function - check for alignment of moving parts, binding of moving parts, breakage of parts, mounting, and any other conditions that may affect its operation. A guard or other part that is damaged should be properly repaired or replaced.
19. **DIRECTION OF FEED.** Feed work into a blade or cutter against the direction of rotation of the blade or cutter only.
20. **NEVER LEAVE TOOL RUNNING UNATTENDED. TURN POWER OFF.** Don't leave tool until it comes to a complete stop.

Additional Safety Instructions For Sanders

1. Be aware of belt or disc rotation when sanding.
2. Keep fingertips away from the moving belt or disc.
3. Never use excessive force when sanding. Doing this greatly increases the chances of personal injury and motor overload.
4. Always feed the work against the direction of rotation
5. Even if you have a reliable method of dust collection, use a dust mask or respirator when sanding, as well as eye and ear protection.
6. If there is any doubt as to the stability or integrity of the material to be sanded, **don't sand it.**
7. Do not operate sander with a damaged or badly worn disc or belt.
8. When disc sanding, feed material into the portion of the disc spinning *down* toward the table.
9. Habits — good or bad — are hard to break. Develop good habits and safety will become second nature to you.

SECTION 2: CIRCUIT REQUIREMENTS

110V Operation

The 1½ H.P. motor will safely draw 16 amps at 110V. If you operate this sander on any circuit that is already close to its capacity, it might blow a fuse or trip a circuit breaker. However, if an unusual load does not exist, and power failure still occurs, have the circuit inspected by a qualified electrician.



Grounding

CAUTION: THIS TOOL MUST BE GROUNDED WHILE IN USE TO PROTECT THE OPERATOR FROM ELECTRIC SHOCK.

In the event of a malfunction or breakdown, grounding provides a path of least resistance for electric current to reduce the risk of electric shock. This tool is equipped with an electric cord having an equipment-grounding conductor and a grounding plug. The plug must be plugged into a matching outlet that is properly installed and grounded in accordance with all local codes and ordinances.

Improper connections of the electrical-grounding conductor can result in risk of electric shock. The conductor with green or green and yellow striped insulation is the electrical-grounding conductor. If repair or replacement of the electric cord or plug is necessary, do not connect the equipment grounding conductor to a live terminal.

Under no circumstances should the grounding pin from any three-pronged plug be removed. If it will not fit the outlet, have the proper outlet installed by a qualified electrician.

Check with a qualified electrician or one of our service personnel if the grounding instructions are not completely understood, or if in doubt as to whether the tool is properly grounded. Use only 3-wire extension cords that have 3-prong grounding type plugs and 3-hole receptacles that accept the tool's plug. **Figure 1.**

Repair or replace damaged or worn cord immediately.

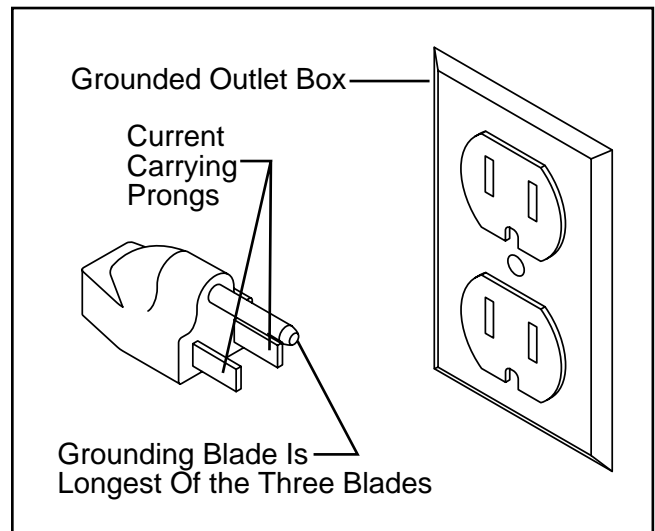


Figure 1.



SECTION 3: GENERAL INFORMATION

We are proud to bring you the Model G5049Z Combination Sander. The Model G5049Z is part of a growing Grizzly family of fine woodworking machinery. When used according to the guidelines set forth in this manual, you can expect years of trouble-free, enjoyable operation and proof of Grizzly's commitment to customer satisfaction.

The Model G5049Z is a combination 6" x 48" belt and 12" disc sander that is capable of a wide variety of operations. The 6" wide belt enables you to sand large areas flat very quickly, and the 12" disc and table allow sanding at many different angles. The G5049Z comes complete with stand, miter gauge, motor and electrical package.

We are also pleased to provide this instruction manual with the Model G5049Z Combination Sander. This instruction manual was written to guide you through assembly, review safety considerations and cover general operating procedures. It represents our latest effort to produce the best documentation possible. If you have any constructive criticisms or comments that you feel we should include in our next printing, please write to us at the Bellingham, WA address at the end of this section.

Most important, we stand behind our machines. We have excellent regional service departments at your disposal should the need arise. If you have any service questions or parts requests, please call or write to us at the location listed below.

Grizzly Industrial, Inc.
1203 Lycoming Mall Circle
Muncy, PA 17756
Phone:(570) 546-9663
Fax:(800) 438-5901
E-Mail: techsupport@grizzly.com
Web Site: <http://www.grizzly.com>

To comment on this manual write to:

Grizzly Industrial, Inc.
% Technical Documentation
P.O. Box 2069
Bellingham, WA 98227

To operate this, or any other power tool safely and efficiently, it is essential to become as familiar with it as possible. The time you invest before you begin to use your Model G5049Z will be time well spent. **DO NOT** operate this machine until you are familiar with the contents of this manual.

Unpacking

The Model G5049Z Sander is shipped from the manufacturer in a carefully packed carton. If you discover the machine is damaged after you've signed for delivery, *please call our Customer Service number immediately for advice.*

Save the containers and all packing materials for possible inspection by the carrier or its agent. *Otherwise filing a freight claim can be difficult.*

Caution: The G5049Z is a heavy machine (120 lbs. shipping weight). **DO NOT** over-exert yourself while unpacking or moving your machine – get assistance. In the event that your Sander must be moved up or down a flight of stairs, be sure that the stairs are capable of supporting the combined weight of people and the machine.

When you are completely satisfied with the condition of your shipment, you should inventory its parts.



Piece Inventory

After all the parts have been removed from the container, you should have:

| | |
|---|----------------------|
| 1 | Sanding Unit |
| 1 | Sanding Belt |
| 1 | Sanding Disc |
| 1 | Idler Roller |
| 1 | Miter Gauge |
| 1 | Work Table |
| 1 | Belt Table |
| 4 | Stand Legs |
| 4 | Lower Stand Braces |
| 4 | Rubber Feet |
| 1 | Quick Release Handle |
| 1 | Idler Roller Guard |
| 1 | Bolt Bag |
| 1 | Motor Mount |

Contents of the Bolt Bag

| <u>QTY.</u> | <u>DESCRIPTION</u> | <u>LOCATION</u> |
|-------------|--------------------------------|-----------------|
| 16 | 5/16"-18 x 1/2" Carriage Bolts | Stand |
| 16 | 5/16" Flat Washers | Stand |
| 16 | 5/16"-18 Hex Nuts | Stand |
| 4 | 5/16"-18 x 1" Hex Bolts | Stand /Feet |
| 8 | 5/16" Flat Washers | Stand /Feet |
| 4 | 5/16"-18 Hex Nuts | Stand /Feet |

In the event that any non-proprietary parts are missing (e.g. a nut or a washer...), we would be glad to replace them, or, for the sake of expediency, replacements can be obtained at your local hardware store.



Clean up

The work table and other unpainted parts of the Model G5049Z are coated with a waxy oil that protects them from corrosion during shipment. Remove the protective coating with mineral spirits and cloth rags. Do not use gasoline or other petroleum based solvents because of their extremely low flash points. Do not use chlorine-based solvents – if you happen to splash some onto a painted surface, you'll ruin the finish.

WARNING!

Follow the safety rules listed below when working with solvents:

1. Read and follow all directions and warnings on the solvent label.
2. Work only in a well ventilated area.
3. Do not work near any type of open flame (e.g., pilot lights, kerosene heaters, and so on).
4. **DO NOT** smoke while working with flammable material.
5. Paper towels and rags from the cleaning process are extremely combustible. Dispose of waste towels so they do not create a fire hazard.



Site Considerations

1. **Floor Load:** Your G5049Z Sander represents a medium weight load in a small footprint. Most commercial floors are suitable for the Model G5049Z. Some residential floors may require additional build up to support both machine and operator.
2. **Working Clearances:** Consider existing and anticipated needs, size of material to be processed through each machine, and space for auxiliary stands, work tables or other machinery when establishing a location for your sander.
3. **Lighting and Outlets:** Lighting should be bright enough to eliminate shadow and prevent eye strain. Electrical circuits should be dedicated or large enough to handle amperage requirements. Outlets should be located near each machine so power or extension cords are clear of high-traffic areas. Observe local electrical codes for proper installation of new lighting, outlets, or circuits.



SECTION 4: ASSEMBLY

Stand/motor

The G5049Z Combination Sander stand is an open frame style.

Note: Assembling the G5049 Sander requires heavy lifting. We strongly recommend having an assistant help with the assembly.

1. Attach Rubber Feet to base using the four $\frac{5}{16}$ "-18 x 1" Hex bolts, Hex Nuts and Flat Washers provided. **Figure 2.**



Figure 2.

2. Carefully tip the sander on its side and attach the four legs to the stand top and the cross braces to the legs.
3. Lift the sander upright and **remove the cover.** **Figure 3.**

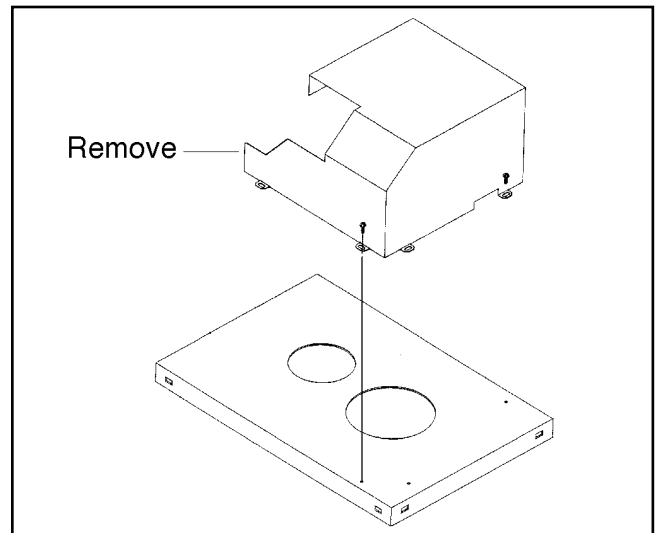


Figure 3.

4. Attach the motor mount to the underside of the stand. Finger tighten only. **Figure 4.**

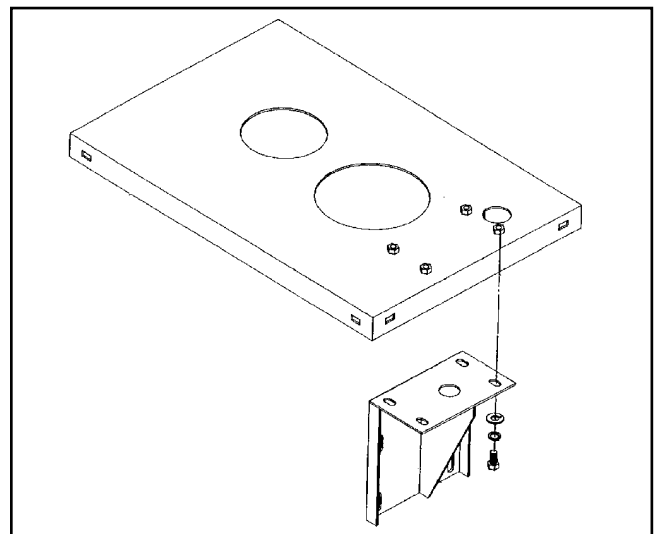


Figure 4.

5. Mount the motor to the motor mount. Leave the bolts finger tight for now.
6. Lift the spring loaded side of the jackshaft assembly up and insert a $\frac{1}{16}$ " shim between the cast bearing block and the aluminum pad.
7. Lift the motor up and slip the two flat bars between the stand top and the motor drive disc. Let the weight of the motor rest on the flat bars. Tighten down the motor mount bolts.
8. Remove the two flat bars and the shim from the jack shaft assembly.
9. Align the center of the motor drive disc to the centerline of the jack shaft. **Figure 5.** Tighten the motor mount bolts.

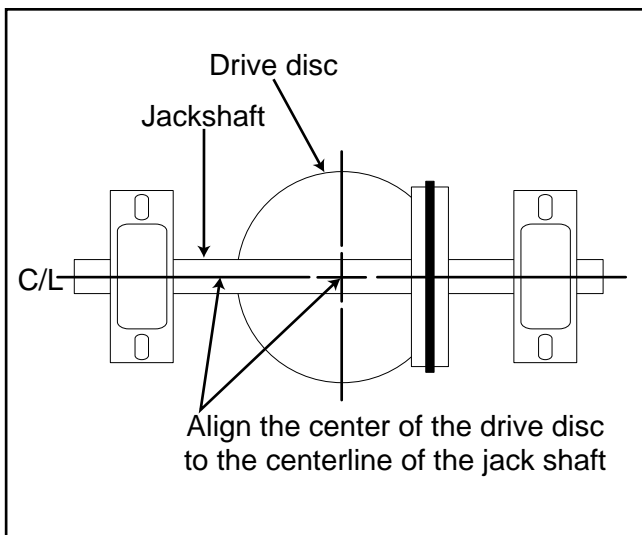


Figure 5.

10. Re-install the cover.



Wiring The Motor

1. Remove the wire box cover.
2. Feed the power source wires from the switch into the motor junction box.
3. Wire the motor per the diagram in **Figure 6.** The wires from the power supply, besides the Green Ground wire, are interchangeable, therefore colors are not specified.
4. The green wire from the cord is grounded to the motor casing.
5. Re-install the wire box cover.

Note: To reverse rotation, switch the positions of motor wires #5 and #6.

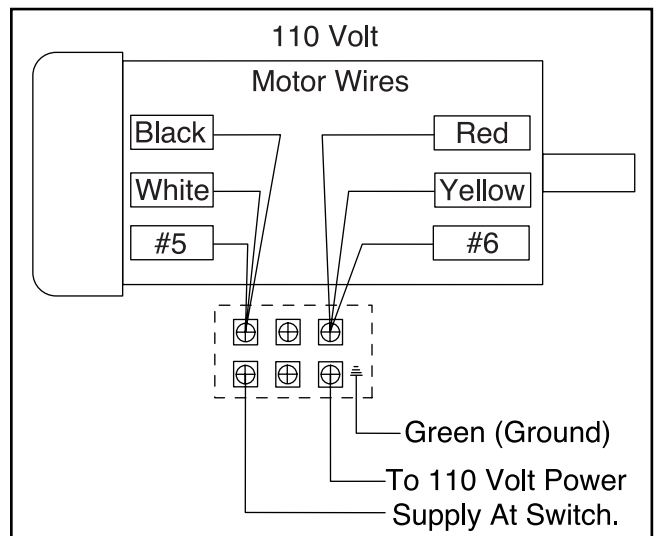


Figure 6.



SECTION 5: ADJUSTMENTS

Belt Replacement

With the exception of Belt Tracking, adjustments to your Combination Sander should be made with the power off *and* the machine unplugged.

Unlock the Quick-Release Lever by pulling the lever straight out. **Figure 7.** Slide the belt off the rollers straight toward you. Reverse this process to install a new belt.

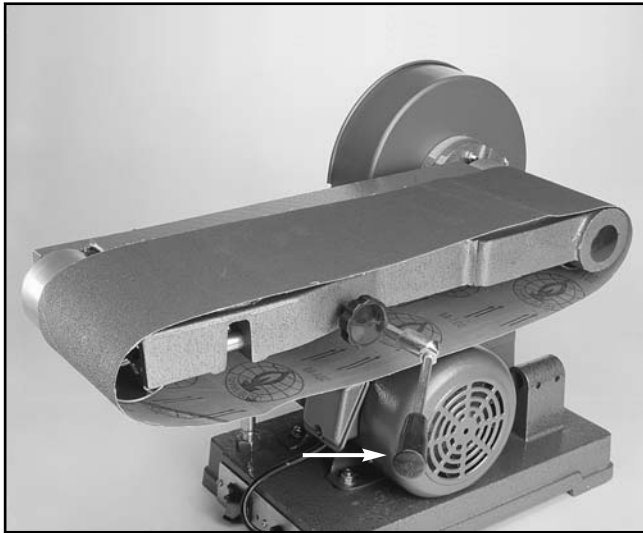


Figure 7.



Belt Tracking

The goal of this procedure is to achieve proper belt tracking that prevents the belt from wandering off to either side.

1. To adjust the tracking, quickly turn the sander on and off. Observe the belt's behavior. If the belt moves to one side or the other, you will need to adjust the tracking knob. **Figure 8.**

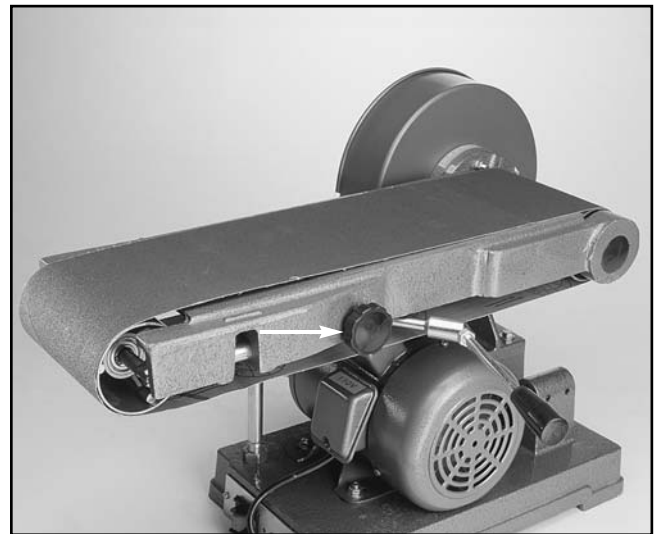


Figure 8.

2. Turn the knob approximately $\frac{1}{4}$ turn clockwise to move the belt towards the tracking knob, counter-clockwise to move the belt away.
3. Turn the machine on and off again quickly to see if the tracking has improved. If not, repeat **step 1**. If tracking is improved move to **step 4**.
4. Now with the sander running, adjust the knob to fine tune the belt tracking.



Belt Tensioning

Correct belt tension will insure that your sander functions properly. Too little tension will allow the belt to slip and may cause the sander to track erratically. Too much will cause the drive drum to creep on the drive shaft and possibly cause premature bearing failure. It is impossible to describe ideal belt tension. A good rule of thumb is less tension is better than too much. If the belt sounds like a drum when plucked, your tension is probably set too tight. If your belt does not track and slips under load, it is too loose. Use the following steps to adjust tension.

1. With belt installed and quick release lever engaged, loosen Hex Bolt slightly. **Figure 9.** **Note:** Figure 9 is depicted with the belt removed for illustration purposes only. Normally steps 1-4 are done with the belt installed.



Figure 9.

2. Use a large open end adjustable wrench and carefully rotate the eccentric to increase or decrease tension. Remember: The belt should not sound like a drum when plucked. If it does, decrease the tension. **Figure 10.**

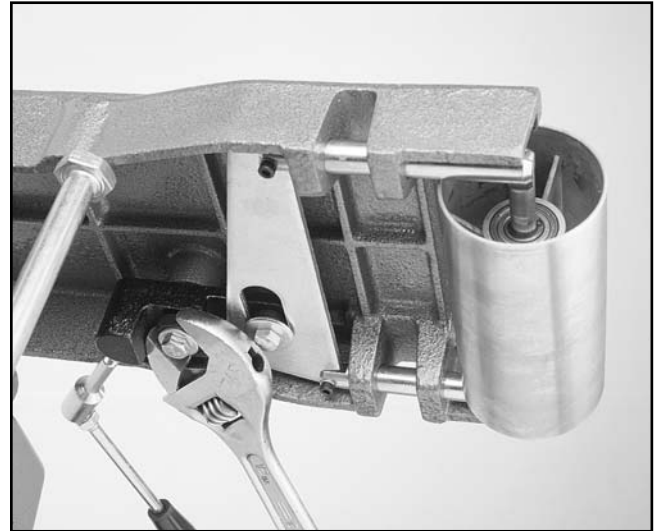


Figure 10.

3. Tighten hex bolt and run the sander to adjust the tracking if necessary.
4. Try aggressively sanding a piece of scrap wood. If the tracking is not significantly affected and the belt does not slip on the drum, your belt tension is correct.



SECTION 6: OPERATIONS

Test Run

Once assembly is complete and adjustments are done to your satisfaction, you are ready to test the machine.

Turn on the power supply at the main panel. Press the START button. Make sure that your finger is poised on the STOP button, just in case there's a problem. The sander should run smoothly, with little or no vibration or rubbing noises. Strange or unnatural noises should be investigated and corrected before operating the machine further.

WARNING: *DO NOT attempt to investigate or adjust the machine while it is running. Wait until the machine is turned off, unplugged and all working parts have come to a rest before you do anything!*

If noises occur that cannot be found by visual inspection, feel free to contact our service department for help.



Horizontal Sanding

1. Turn the sander on and allow the belt to reach full speed.
2. Place the workpiece flat on the belt. Be sure to hold the work securely with both hands. Place one hand at the end of the workpiece to feed it against the rotation of the belt, and one hand lightly on top of the piece to ensure adequate stock removal. **Figure 11.**
3. Depending on the length of the workpiece, use the back stop to prevent it from being ejected by the belt. If your workpiece is too long, simply remove the back stop.



Figure 11.



Curved Sanding

To sand curves, use the end of the belt arm. Hold the workpiece firmly and apply light, even pressure to the belt. To avoid excessive loading of the belt in one area, move workpiece slowly across entire surface of belt. **Figure 12.**

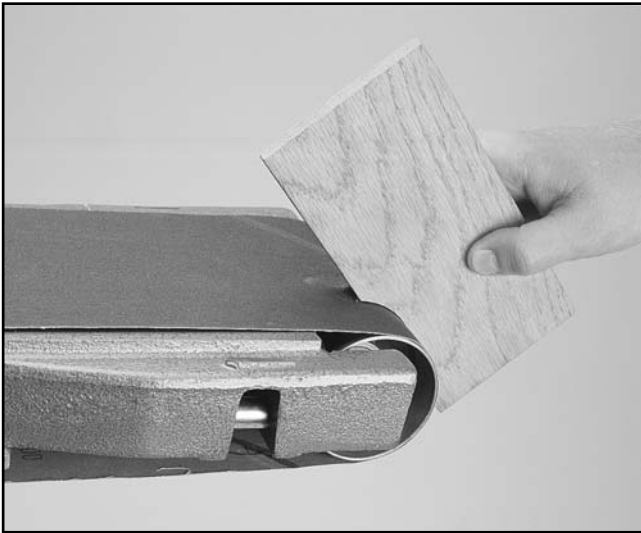


Figure 12.



Disc Sanding

1. Loosen table lock knob and tilt work table to desired angle. Tighten lock knob.
2. Ease workpiece into the half of the disc that spins down toward the table. **Figure 13.**
3. When using the table for beveled sanding operations, smaller workpieces are at risk of getting jammed between the disc (or vertical belt) and the table. **Figure 14.**

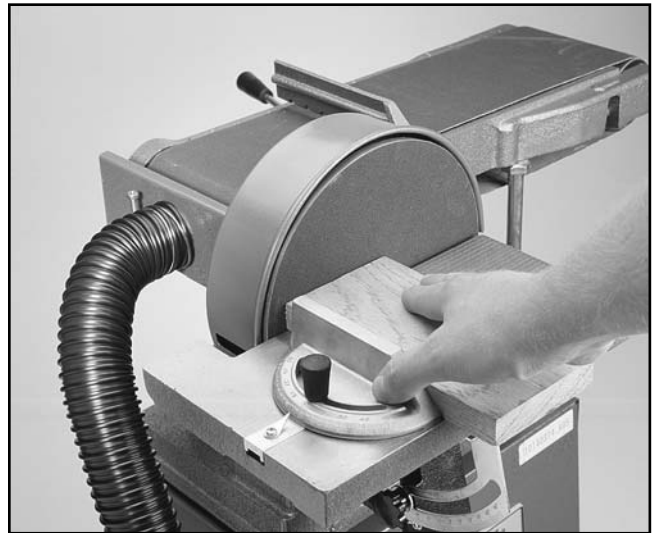


Figure 13.



Figure 14.



SECTION 7: MAINTENANCE

General

Make a habit of inspecting your sander each time you use it. Check for the following conditions and repair or replace when necessary.

1. Loose mounting bolts.
2. Worn switch.
3. Worn or damaged cords and plugs.
4. Worn or damaged V-belt.
5. Poor belt tensioning/tracking.



V- Belt

Without proper belt tension and correct pulley alignment, your sander will vibrate excessively and wear out the V-belt and the bearings much faster than normal. The pulleys can be aligned by placing a straightedge along the outside flanges and sighting down the straightedge. Move one pulley along the shaft until both pulleys are in line. Proper belt tension can be checked by squeezing the midpoint of the belt with moderate pressure (about 5 pounds). The resulting deflection should be about 1/4". If it isn't, it will be necessary to loosen the motor mount bolts and slide the motor to either add or subtract tension from the belt.



Lubrication

Your combination sander is equipped with shielded and pre-lubricated ball bearings and require no lubrication for the life of the bearings. All bearings are common sizes and are readily available from a local bearing supply house or our Service Department.



Table

The working table and other non-painted surfaces on the Model G5049Z should be protected against rust and pitting. Wiping the sander clean after every use ensures that sawdust isn't allowed to trap moisture against bare metal surfaces.

Some woodworkers recommend using automotive paste wax on exposed steel and cast iron surfaces. The wax provides a layer of protection, as well as reducing friction between lumber and the table. Avoid waxes that contain silicone or other synthetic ingredients. These materials can find their way into lumber that's being sanded and can make staining and finishing difficult. If you use paste wax, make sure that it's 100% Carnauba wax.



SECTION 8: CLOSURE

The following pages contain general machine specifications, parts diagram and list and Warranty/Return information for your Model G5049Z Combination Sander.

If you need parts or help in assembling your machine, or if you need operational information, we encourage you to call our Service Department. Our trained service technicians will be glad to help you.

If you have comments or concerns dealing specifically with this manual, please write to our Bellingham, Washington location using the address in the Introduction. The specifications, drawings, and photographs illustrated in this manual represent the Model G5049Z as supplied when the manual was prepared. However, due to Grizzly's policy of continuous improvement, changes may be made at any time with no obligation on the part of Grizzly. Whenever possible, though, we send manual updates to all owners of a particular tool or machine. Should you receive one, add the new information to this manual and keep it for reference.

The information in this manual has been obtained from sources we believe to be reliable and as up-to-date as possible. We have included some important safety measures which are essential to this machine's operation. While most safety measures are generally universal, Grizzly reminds you that each workshop is different and safety rules should be considered *as they apply to your specific situation*.

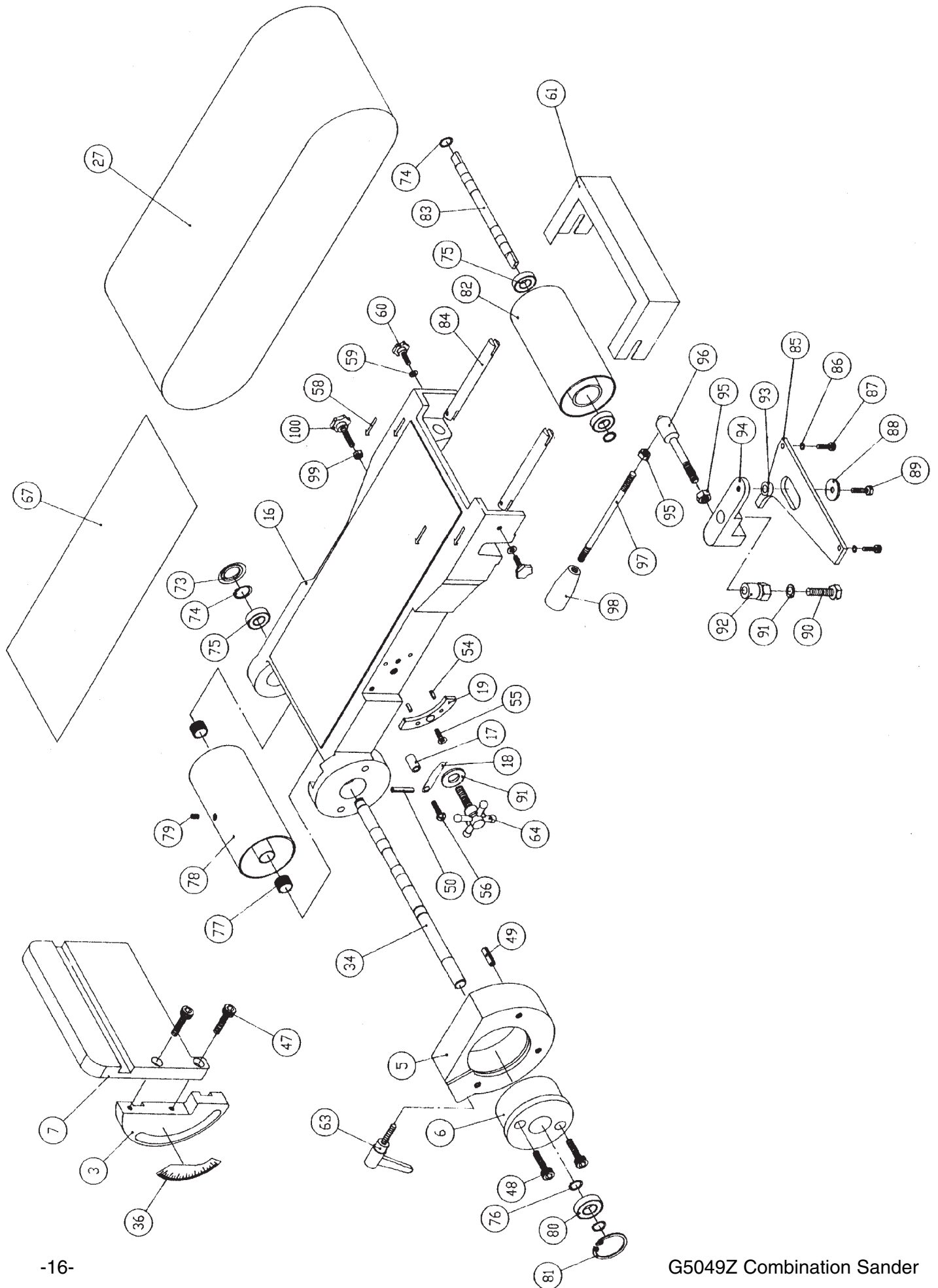
We recommend you keep a copy of our current catalog for complete information regarding Grizzly's warranty and return policy. If you need additional technical information relating to this machine, or if you need general assistance or replacement parts, please contact the Service Department listed in the introduction.

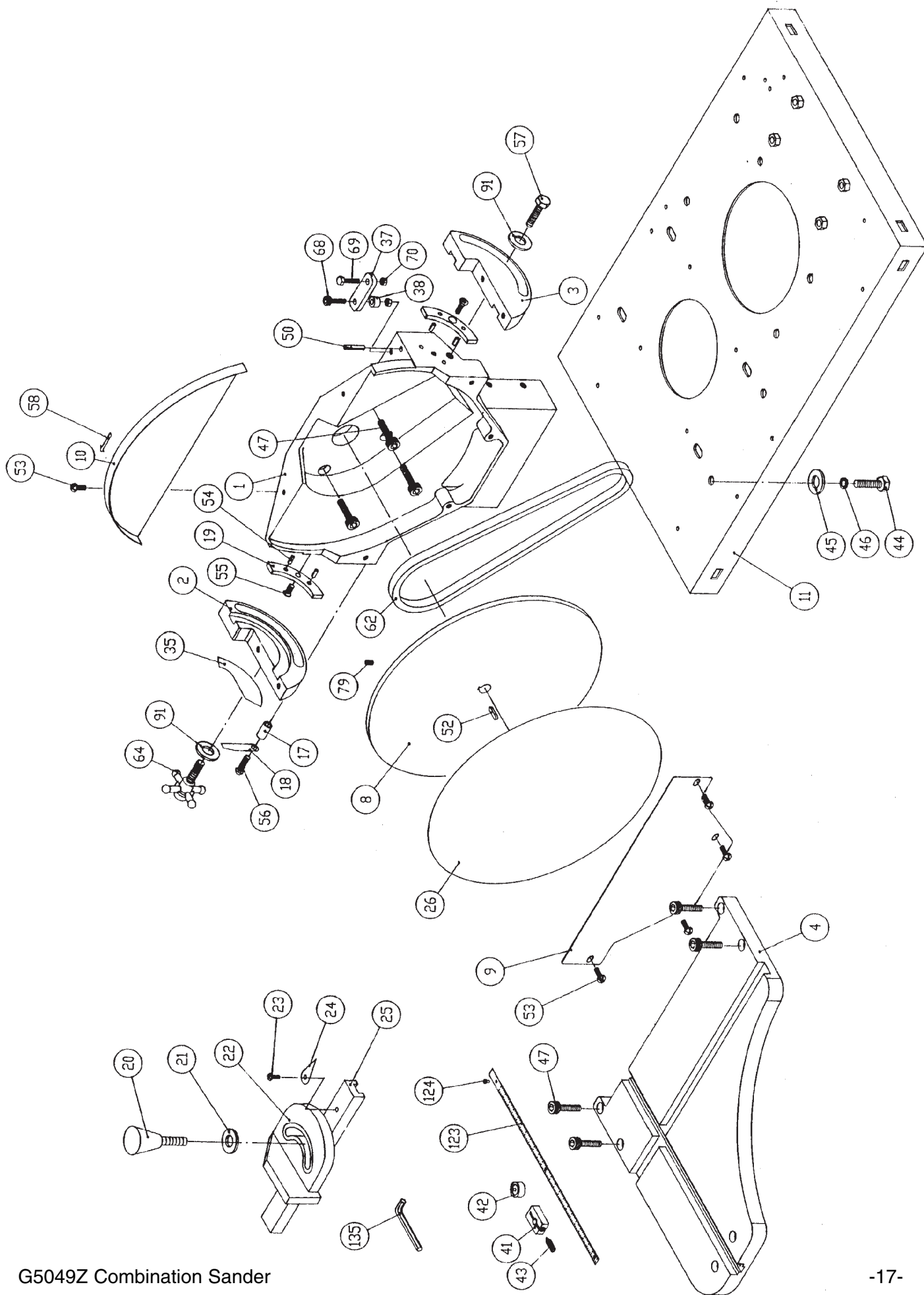
Additional information sources are necessary to realize the full potential of this machine. Trade journals, woodworking magazines, and your local library are good places to start.

WARNING!

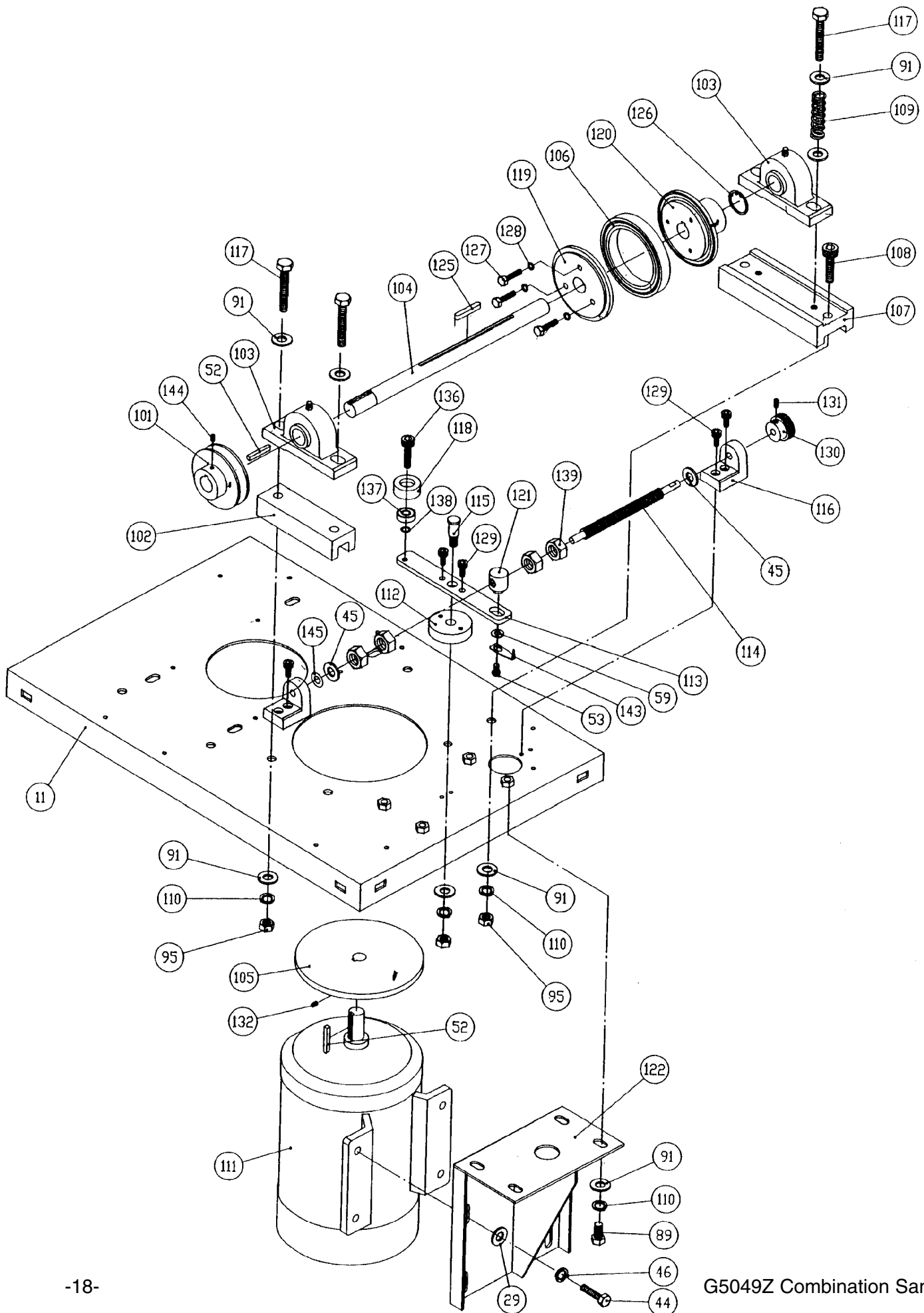
Like all power tools, there is danger associated with the Model G5049Z Combination Sander. Use the tool with respect and caution to lessen the possibility of mechanical damage or operator injury. If normal safety precautions are overlooked or ignored, injury to the operator or others in the area is likely.

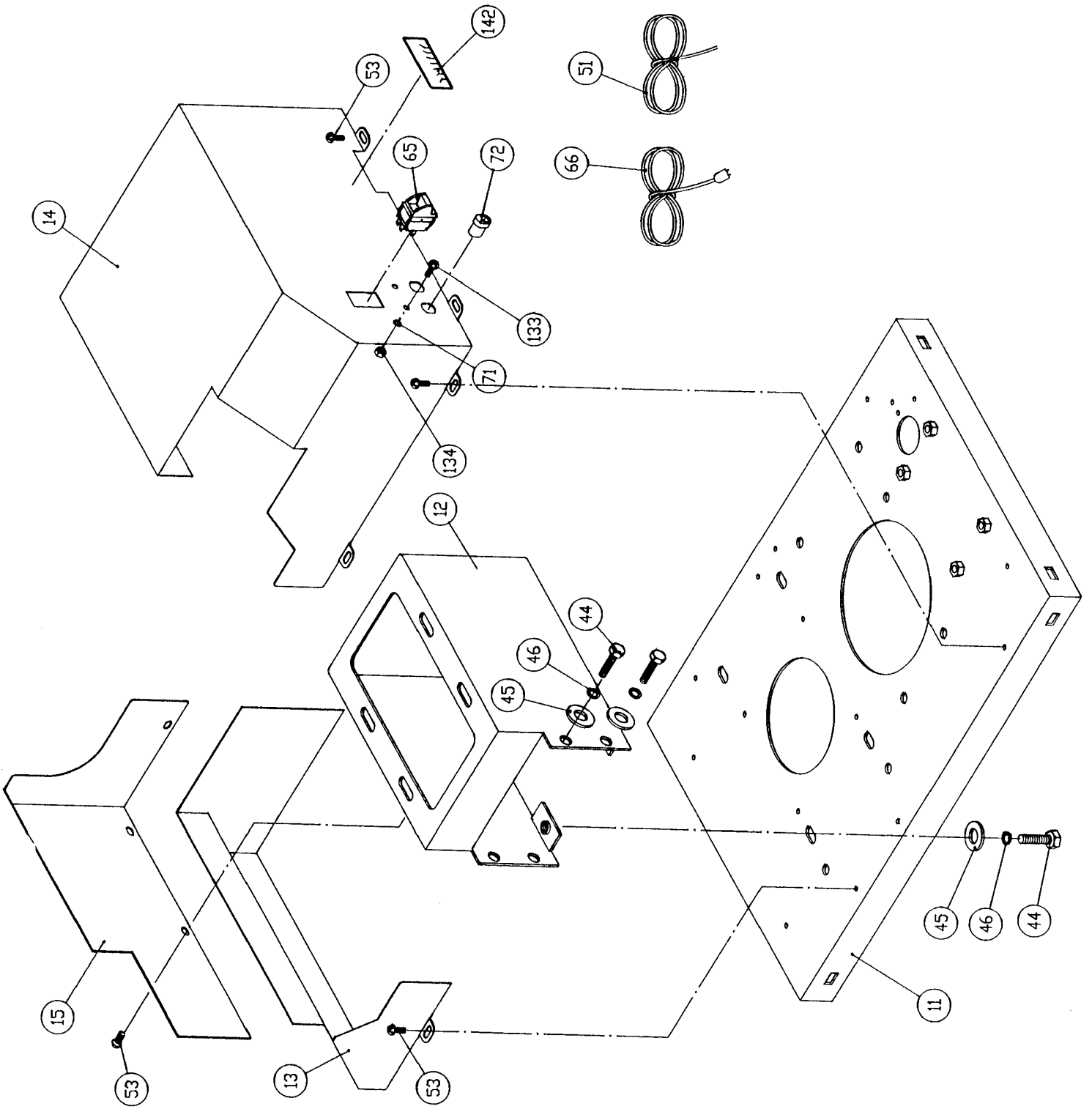
The Model G5049Z was specifically designed for sanding operations. **DO NOT MODIFY AND/OR USE THIS SANDER FOR ANY OTHER PURPOSE. Modifications or improper use of this tool will void the warranty.** If you are confused about any aspect of this machine, **DO NOT** use it until all your questions have been answered.

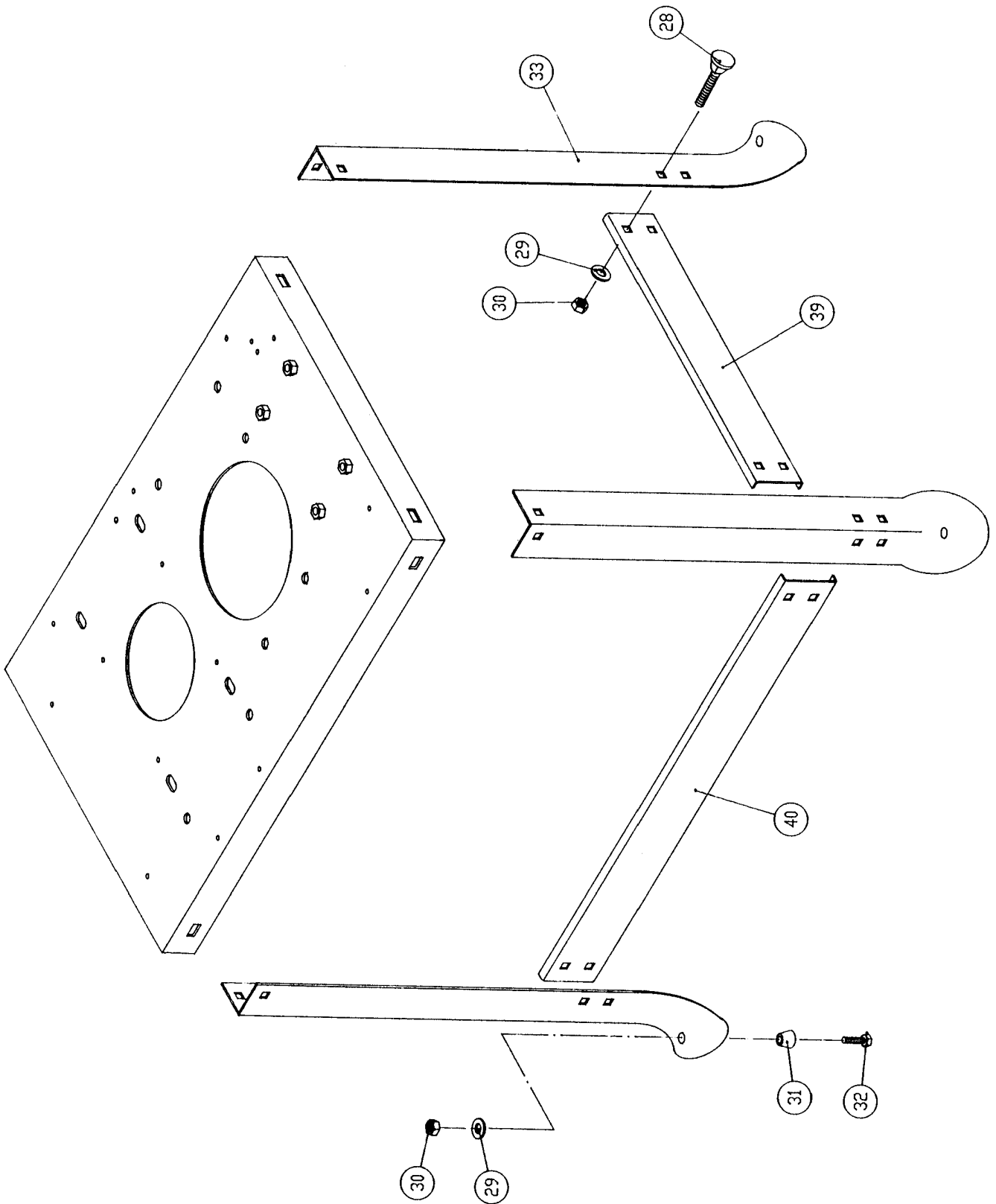




G5049Z Combination Sander







| REF | PART # | DESCRIPTION |
|-----|----------|-----------------------|
| 01 | P5049001 | MAIN BODY |
| 02 | P5049002 | TRUNNION,LEFT |
| 03 | P5049003 | TRUNNION,RIGHT |
| 04 | P5049004 | DISC TABLE |
| 05 | P5049005 | BRACKET HOUSING |
| 06 | P5049006 | STOP BLOCK |
| 07 | P5049007 | BELT TABLE |
| 08 | P5049008 | CAST IRON DISC |
| 09 | P5049009 | LOWER GUARD |
| 10 | P5049010 | UPPER GUARD |
| 11 | P5049011 | STAND, TOP |
| 12 | P5049012 | MOUNTING BRACKET |
| 13 | P5049013 | COVER, LOWER |
| 14 | P5049014 | COVER |
| 15 | P5049015 | COVER, UPPER |
| 16 | P5049016 | BELT FRAME |
| 17 | P5049017 | SPACER |
| 18 | P5049018 | POINTER |
| 19 | P5049019 | GIB |
| 20 | P5049020 | KNOB |
| 21 | P5049021 | WASHER |
| 22 | P5049022 | MITER BODY |
| 23 | P5049023 | SCREW |
| 24 | P5049024 | POINTER |
| 25 | P5049025 | MITER BODY |
| 26 | P5049026 | 12" SANDING DISC |
| 27 | SEE CAT | 6" X 48" SANDING BELT |
| 28 | P5049028 | CARRIAGE BOLT |
| 29 | P5049029 | WASHER |
| 30 | P5049030 | HEX NUT |
| 31 | P5049031 | FOOT |
| 32 | P5049032 | BOLT |
| 33 | P5049033 | LEG |
| 34 | P5049034 | DRIVE SHAFT |
| 35 | P5049035 | SCALE |

| REF | PART # | DESCRIPTION |
|-----|----------|------------------|
| 36 | P5049036 | SCALE |
| 37 | P5049037 | STOP BAR |
| 38 | P5049038 | SPACER |
| 39 | P5049039 | BRACE, SHORT |
| 40 | P5049040 | BRACE, LONG |
| 41 | P5049041 | STEEL BLOCK |
| 42 | P5049042 | CENTER PIN |
| 43 | P5049043 | SPECIAL SETSCREW |
| 44 | P5049044 | HEX BOLT |
| 45 | P5049045 | FLAT WASHER |
| 46 | P5049046 | LOCK WASHER |
| 47 | P5049047 | CAP SCREW |
| 48 | P5049048 | CAP SCREW |
| 49 | P5049049 | ROLL PIN |
| 50 | P5049050 | ROLL PIN |
| 51 | P5049051 | MOTOR CORD |
| 52 | P5049052 | KEY |
| 53 | P5049053 | SCREW |
| 54 | P5049054 | ROLL PIN |
| 55 | P5049055 | FLAT HEAD SCREW |
| 56 | P5049056 | SCREW |
| 57 | P5049057 | HEX BOLT |
| 58 | P5049058 | DIRECTION ARROW |
| 59 | P5049059 | WASHER |
| 60 | P5049060 | KNOB |
| 61 | P5049061 | GUARD |
| 62 | P5049062 | V-BELT |
| 63 | P5049063 | KNOB |
| 64 | P5049064 | KNOB |
| 65 | P5049065 | ON / OFF SWITCH |
| 66 | P5049066 | POWER CORD |
| 67 | P5049067 | GRAPHITE PAD |
| 68 | P5049068 | CAP SCREW |
| 69 | P5049069 | HEX BOLT |
| 70 | P5049070 | HEX NUT |

| REF | PART # | DESCRIPTION |
|-----|----------|---------------|
| 71 | P5049071 | WASHER |
| 72 | P5049072 | STRAIN RELIEF |
| 73 | P5049073 | DUST COVER |
| 74 | P5049074 | SNAP RING |
| 75 | P5049075 | BEARING |
| 76 | P5049076 | SNAP RING |
| 77 | P5049077 | SPACER |
| 78 | P5049078 | DRIVE DRUM |
| 79 | P5049079 | SETSCREW |
| 80 | P5049080 | BEARING |
| 81 | P5049081 | SNAP RING |
| 82 | P5049082 | IDLER DRUM |
| 83 | P5049083 | IDLER SHAFT |
| 84 | P5049084 | SLIDING BAR |
| 85 | P5049085 | ROCKER PLATE |
| 86 | P5049086 | LOCK WASHER |
| 87 | P5049087 | CAP SCREW |
| 88 | P5049088 | FENDER WASHER |
| 89 | P5049089 | HEX BOLT |
| 90 | P5049090 | HEX BOLT |
| 91 | P5049091 | WASHER |
| 92 | P5049092 | ECCENTRIC |
| 93 | P5049093 | SPACER |
| 94 | P5049094 | ROCKER ARM |
| 95 | P5049095 | HEX NUT |
| 96 | P5049096 | LEVER, SHORT |
| 97 | P5049097 | LEVER, LONG |
| 98 | P5049098 | KNOB |
| 99 | P5049099 | JAM NUT |
| 100 | P5049100 | KNOB |
| 101 | P5049101 | PULLEY |
| 102 | P5049102 | BRACKET |
| 103 | P5049103 | BEARING BLOCK |
| 104 | P5049104 | JACK SHAFT |
| 105 | P5049105 | DRIVE DISC |
| 106 | P5049106 | TIRE |
| 107 | P5049107 | BLOCK |

| REF | PART # | DESCRIPTION |
|-----|----------|----------------|
| 108 | P5049108 | CAP SCREW |
| 109 | P5049109 | SPRING |
| 110 | P5049110 | LOCK WASHER |
| 111 | P5049111 | MOTOR |
| 112 | P5049112 | MOUNTING BLOCK |
| 113 | P5049113 | ARM |
| 114 | P5049114 | THREADED SHAFT |
| 115 | P5049115 | STUD |
| 116 | P5049116 | BRACKET |
| 117 | P5049117 | HEX BOLT |
| 118 | P5049118 | WHEEL |
| 119 | P5049119 | HUB, LEFT |
| 120 | P5049120 | HUB, RIGHT |
| 121 | P5049121 | SPECIAL NUT |
| 122 | P5049122 | MOTOR BRACKET |
| 123 | P5049123 | SCALE |
| 124 | P5049124 | RIVET |
| 125 | P5049125 | KEY |
| 126 | P5049126 | SNAP RING |
| 127 | P5049127 | HEX BOLT |
| 128 | P5049128 | LOCK WASHER |
| 129 | P5049129 | CAP SCREW |
| 130 | P5049130 | KNOB |
| 131 | P5049131 | SETSCREW |
| 132 | P5049132 | SETSCREW |
| 133 | P5049133 | SCREW |
| 134 | P5049134 | HEX NUT |
| 135 | P5049135 | ALLEN WRENCH |
| 136 | P5049136 | CAP SCREW |
| 137 | P5049137 | ROUND THING |
| 138 | P5049138 | WASHER |
| 139 | P5049139 | JAM NUT |
| 142 | P5049142 | CHART |
| 143 | P5049143 | POINTER |
| 144 | P5049144 | SETSCREW |
| 145 | P5049145 | WASHER |
| | | |

Machine Data

GRIZZLY MODEL G5049Z COMBINATION SANDER

Design Type Floor Model

Overall Dimensions and Specifications:

Base20 x 27 $\frac{3}{4}$ "
Height (Belt arm horizontal)40 $\frac{1}{2}$ "
Height (Belt arm vertical).....55 $\frac{1}{2}$ "
Width30"
Length29"
Table (Disc)13" x 14"
Motor Shaft Size..... $\frac{5}{8}$ "
Weight200 lbs.

Features:

Sanding Belt.....6" x 48"
Sanding Belt SpeedVariable Speed
Cast Iron Disc12" Diameter
Cast Iron Disc Speed3450 RPM
Roller DriveBall Bearing
Miter Gauge Groove..... $\frac{3}{8}$ " x $\frac{3}{4}$ "
Miter GaugeDie Cast Aluminum / Aluminum Bar
Table Tilt Range.....0-45°

Construction:

BaseSteel/Cast Iron
Table (Disc)Cast Iron
Stand.....Stamped Steel

Motor:

Horsepower1 $\frac{1}{2}$ HP
Phase Type / Voltage.....Single Phase / 110V/220V
Amperage16@110V / 8@120V
Cycle and RPM.....60 Hertz / 3450 RPM
SwitchOn / Off Toggle
Power TransferBelt Drive
BearingsSealed, Permanently Lubricated

Specifications, while accurate, are subject to change without notice.

WARRANTY AND RETURNS

Grizzly Industrial, Inc. warrants every product it sells for a period of **1 year** to the original purchaser from the date of purchase. This warranty does not apply to defects due directly or indirectly to misuse, abuse, negligence, accidents, repairs or alterations or lack of maintenance. This is Grizzly's sole written warranty and any and all warranties that may be implied by law, including any merchantability or fitness, for any particular purpose, are hereby limited to the duration of this written warranty. We do not warrant or represent that the merchandise complies with the provisions of any law or acts unless the manufacturer so warrants. In no event shall Grizzly's liability under this warranty exceed the purchase price paid for the product and any legal actions brought against Grizzly shall be tried in the State of Washington, County of Whatcom.

We shall in no event be liable for death, injuries to persons or property or for incidental, contingent, special, or consequential damages arising from the use of our products.

To take advantage of this warranty, contact us by mail or phone and give us all the details. We will then issue you a "Return Number", which must be clearly posted on the outside as well as the inside of the carton. We will not accept any item back without this number. Proof of purchase must accompany the merchandise.

The manufacturers reserve the right to change specifications at any time because they constantly strive to achieve better quality equipment. We make every effort to ensure that our products meet high quality and durability standards and we hope you never need to use this warranty.

Please feel free to write or call us if you have any questions about the machine or the manual.

Thank you again for your business and continued support. We hope to serve you again soon.

Free Manuals Download Website

<http://myh66.com>

<http://usermanuals.us>

<http://www.somanuals.com>

<http://www.4manuals.cc>

<http://www.manual-lib.com>

<http://www.404manual.com>

<http://www.luxmanual.com>

<http://aubethermostatmanual.com>

Golf course search by state

<http://golfingnear.com>

Email search by domain

<http://emailbydomain.com>

Auto manuals search

<http://auto.somanuals.com>

TV manuals search

<http://tv.somanuals.com>