



# MODEL H0594 PNEUMATIC JITTERBUG SANDER INSTRUCTION SHEET

## ⚠ WARNING



**EYE INJURY HAZARD!**  
Always wear safety glasses when using this tool to prevent serious personal injury.



**INJURY HAZARD!**  
Always disconnect tool from air to prevent unexpected operation during service.



**DUST HAZARD!**  
Always wear respirator when using this tool.

## Introduction

This 8,000 RPM air sander requires 90 PSI and 6 CFM. Air inlet is 1/4" NPT. Requires 3 1/2" x 8 1/2" sanding sheets. (You can cut a standard 9" x 11" sanding sheet into thirds and trim each piece to size.)

## Inventory

A. Pneumatic Jitterbug Sander..... 1



Figure 1. Model H0594.

## Assembly and Attaching Abrasives

To assemble the sander and attach the sandpaper:

1. Install a 1/4" NPT male quick-disconnect fitting (not included) into the air inlet.
2. Press one clamp open, insert one end of the sandpaper between the clamp and the base as shown in **Figure 2** and release pressure on the clamp to secure the paper.



Figure 2. Attaching sanding sheet.

3. Fold the sandpaper over the sander, and secure the paper in the opposite clamp, making sure the paper fits snugly as shown in **Figure 3**.



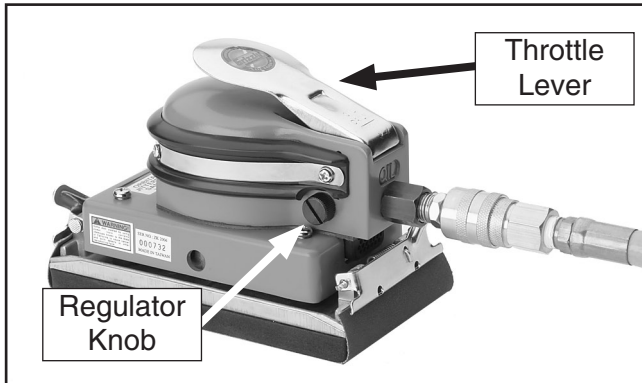
Figure 3. Attaching sandpaper on opposite side.

COPYRIGHT © MAY, 2006 BY GRIZZLY INDUSTRIAL, INC.  
**WARNING: NO PORTION OF THIS MANUAL MAY BE REPRODUCED IN ANY SHAPE OR FORM WITHOUT THE WRITTEN APPROVAL OF GRIZZLY INDUSTRIAL, INC.**  
#BL8253 PRINTED IN TAIWAN

## Operation

To operate the sander:

1. Plug the tool into compressed air.
2. Hold the sander and press the throttle lever (**Figure 4**) to operate.

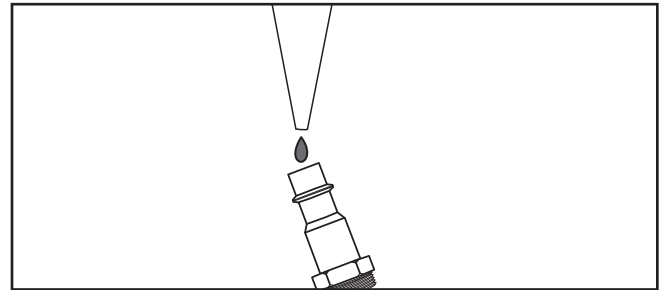


**Figure 4.** Sander controls.

3. Turn the regulator knob (**Figure 4**) to adjust the sanding speed.
4. Remove pressure on the throttle lever to stop the sander.
5. When the sandpaper loses its effectiveness, **disconnect the sander**, remove sandpaper from the clamps, and replace with a new sheet.

## Maintenance

Lubricate at the beginning of the sanding task. Place one or two drops of pneumatic tool oil directly into the air fitting as shown in **Figure 5**.



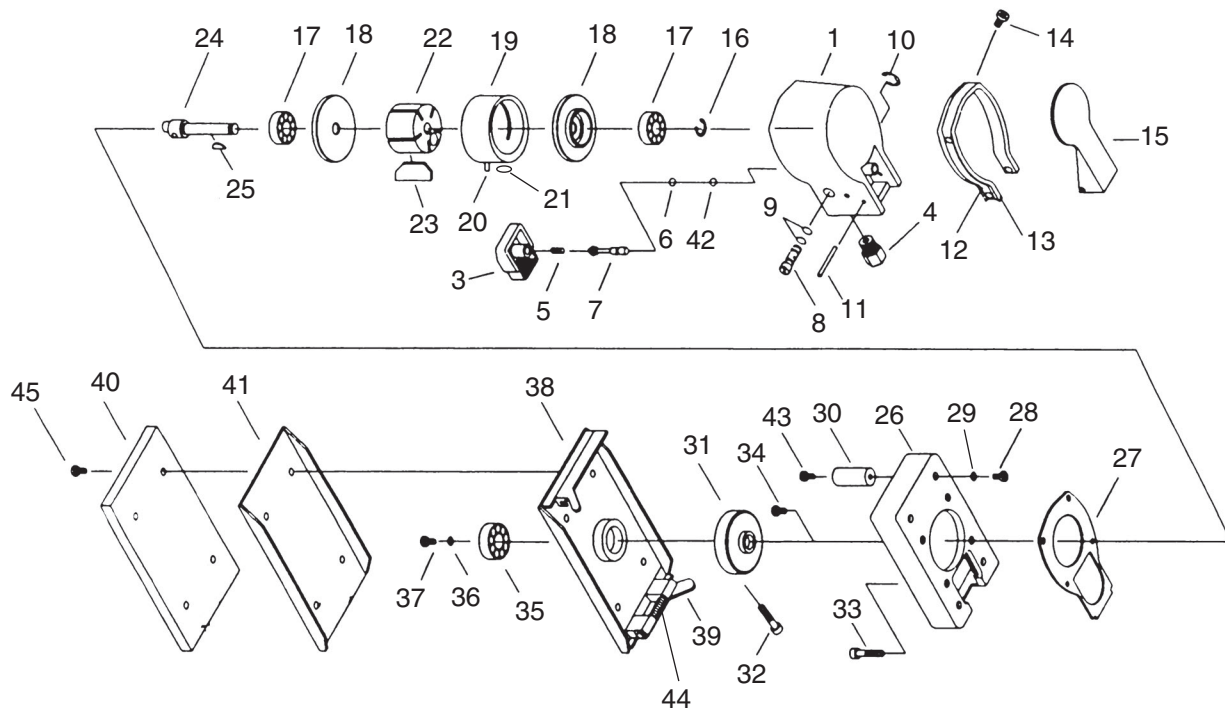
**Figure 5.** Lubricating directly into air fitting.

A filter/lubricator/regulator setup is not recommended, as excess oil in the tool could spray onto the workpiece.

Run the sander for a few minutes to eject excess oil, then wipe the tool down with a rag and begin sanding. Oil the tool after use or storage.

*If you need help with your new pneumatic tool, call our Tech Support at: (570) 546-9663.*

# H0594 Parts Breakdown and List



REF	PART #	DESCRIPTION
1	PH0594001	MOTOR HOUSING
3	PH0594003	MUFFLER
4	PH0594004	HOUSING ADAPTOR
5	PH0594005	SPRING
6	PH0594006	O-RING
7	PH0594007	PLUNGER
8	PH0594008	SPEED REGULATOR
9	PH0594009	O-RING
10	PEC08M	E-CLIP 16MM
11	PH0594011	ROLL PIN 2.7 X 36
12	PH0594012	GRIP BAND
13	PH0594013	RUBBER GRIP
14	PS07M	PHLP HD SCR M4-.7 X 8
15	PH0594015	THROTTLE LEVER
16	PH0594016	RETAINING RING
17	P6200	BALL BEARING 6200ZZ
18	PH0594018	END PLATE
19	PH0594019	CYLINDER
20	PH0594020	LOCATING PIN
21	PH0594021	O-RING
22	PH0594022	ROTOR
23	PH0594023	ROTOR BLADE

REF	PART #	DESCRIPTION
24	PH0594024	ROTOR SHAFT
25	PH0594025	ROTOR KEY
26	PH0594026	BASE
27	PH0594027	GASKET
28	PS09M	PHLP HD SCR M5-.8 X 10
29	PLW01M	LOCK WASHER 5MM
30	PH0594030	RUBBER MOUNT
31	PH0594031	BALANCER
32	PH0594032	BALANCER LOCK SCREW
33	PH0594033	CAP SCREW
34	PH0594034	CAP SCREW
35	P6200	BALL BEARING 6200ZZ
36	PH0594036	WASHER
37	PH0594037	SHAFT LOCK SCREW
38	PH0594038	SHOE PLATE
39	PH0594039	PAPER CLAMP ASSY
40	PH0594040	SANDING PAD
41	PH0594041	STAINLESS STEEL PLATE
42	PH0594042	O-RING
43	PS09M	PHLP HD SCR M5-.8 X 10
44	PH0594044	TORSION SPRING
45	PS05M	PHLP HD SCR M5-.8 X 8

# *grizzly.com*<sup>®</sup>

**TOOL WEBSITE**

Buy Direct and Save with Grizzly<sup>®</sup> – Trusted, Proven and a Great Value!  
~Since 1983~

*Visit Our Website Today For  
Current Specials!*

**ORDER  
24 HOURS A DAY!  
1-800-523-4777**



## Free Manuals Download Website

<http://myh66.com>

<http://usermanuals.us>

<http://www.somanuals.com>

<http://www.4manuals.cc>

<http://www.manual-lib.com>

<http://www.404manual.com>

<http://www.luxmanual.com>

<http://aubethermostatmanual.com>

Golf course search by state

<http://golfingnear.com>

Email search by domain

<http://emailbydomain.com>

Auto manuals search

<http://auto.somanuals.com>

TV manuals search

<http://tv.somanuals.com>