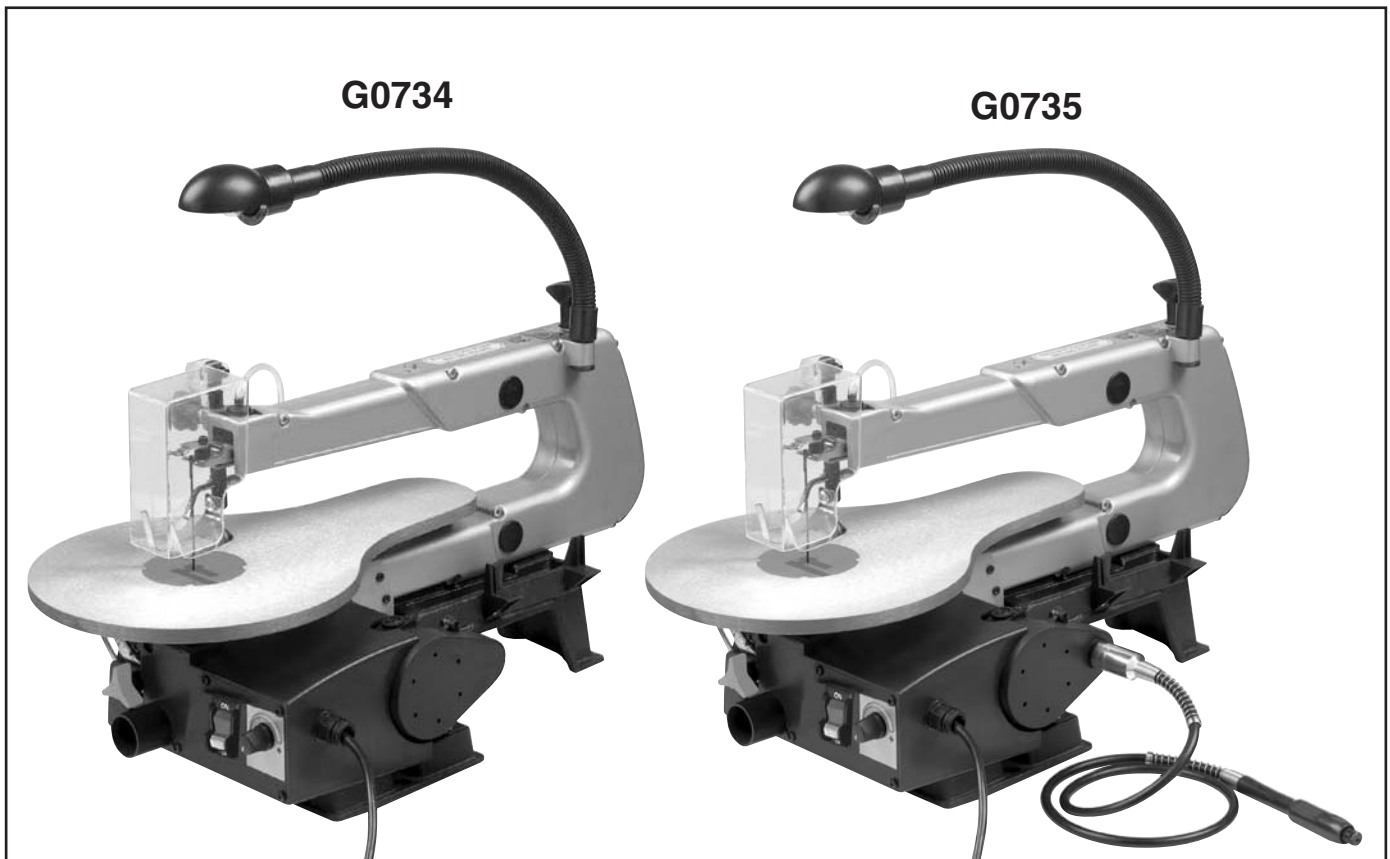


Grizzly *Industrial, Inc.*®

MODEL G0734/G0735 16" SCROLL SAW OWNER'S MANUAL

(For models manufactured since 5/12)



COPYRIGHT © MAY, 2012 BY GRIZZLY INDUSTRIAL, INC.
**WARNING: NO PORTION OF THIS MANUAL MAY BE REPRODUCED IN ANY SHAPE
OR FORM WITHOUT THE WRITTEN APPROVAL OF GRIZZLY INDUSTRIAL, INC.**
#BLTR15029 PRINTED IN CHINA

 **WARNING!**

This manual provides critical safety instructions on the proper setup, operation, maintenance, and service of this machine/tool. Save this document, refer to it often, and use it to instruct other operators.

Failure to read, understand and follow the instructions in this manual may result in fire or serious personal injury—including amputation, electrocution, or death.

The owner of this machine/tool is solely responsible for its safe use. This responsibility includes but is not limited to proper installation in a safe environment, personnel training and usage authorization, proper inspection and maintenance, manual availability and comprehension, application of safety devices, cutting/sanding/grinding tool integrity, and the usage of personal protective equipment.

The manufacturer will not be held liable for injury or property damage from negligence, improper training, machine modifications or misuse.

 **WARNING!**

Some dust created by power sanding, sawing, grinding, drilling, and other construction activities contains chemicals known to the State of California to cause cancer, birth defects or other reproductive harm. Some examples of these chemicals are:

- **Lead from lead-based paints.**
- **Crystalline silica from bricks, cement and other masonry products.**
- **Arsenic and chromium from chemically-treated lumber.**

Your risk from these exposures varies, depending on how often you do this type of work. To reduce your exposure to these chemicals: Work in a well ventilated area, and work with approved safety equipment, such as those dust masks that are specially designed to filter out microscopic particles.

Table of Contents

INTRODUCTION	2	SECTION 4: OPERATIONS	18
Manual Accuracy	2	Disabling Switch.....	18
Contact Info.....	2	Basic Cutting Tips.....	19
G0734 vs G0735.....	2	Hold-Down Shoe & Blade Guard.....	19
Components & Terminology	3	Air Nozzle.....	20
G0734 Data Sheet	5	Blade Tension	20
G0735 Data Sheet	6	Standard Scroll Cuts.....	20
SECTION 1: SAFETY	7	Inside Cuts	21
Safety Instructions for Machinery	7	Bevel Cuts.....	21
Additional Safety for Scroll Saws.....	9	Flex Shaft Tool.....	21
SECTION 2: POWER SUPPLY	10	Blade Speed	22
Availability.....	10	Blade Selection	22
Full-Load Current Rating	10	Scroll Saw Blades	22
Circuit Requirements	10	Pin-End Blades	23
Grounding & Plug Requirements.....	11	Plain-End Blades	24
Extension Cords	11	SECTION 5: MAINTENANCE	25
SECTION 3: SETUP	12	Schedule	25
Needed for Setup.....	12	Cleaning.....	25
Unpacking	12	Lubrication	25
Inventory	13	SECTION 6: SERVICE	26
Site Considerations.....	14	Troubleshooting	26
Workbench Load	14	Table Tilt Calibration.....	27
Placement Location.....	14	Fuse Replacement.....	27
Mounting	14	Motor Brushes.....	28
Assembly	15	Replacing Timing Belt.....	28
Scroll Saw Assembly.....	15	G0734/G0735 Wiring Diagram	29
G0735 Flex Shaft Assembly.....	16	G0734 Main Breakdown	30
Power Connection.....	16	G0734 Main Parts List	31
Connecting Power	16	G0735 Main Breakdown	32
Disconnecting Power.....	16	G0735 Main Parts List	33
Test Run	17	Label Placement	34
		WARRANTY & RETURNS	37


INTRODUCTION

Manual Accuracy

We are proud to offer this manual with your new machine! We've made every effort to be exact with the instructions, specifications, drawings, and photographs of the machine we used when writing this manual. However, sometimes we still make an occasional mistake.

Also, owing to our policy of continuous improvement, **your machine may not exactly match the manual**. If you find this to be the case, and the difference between the manual and machine leaves you in doubt, check our website for the latest manual update or call technical support for help.

Before calling, find the manufacture date of your machine by looking at the date stamped into the machine ID label (see below). This will help us determine if the manual version you received matches the manufacture date of your machine.

		MODEL GXXXX MACHINE NAME	
SPECIFICATIONS		▲ WARNING!	
Motor:		Manufacture Date of Your Machine	
Specification:			
Specification:			
Specification:			
Weight:			
	Date	When using this machine: wear eye protection, ear protection, and respirator. Read the manual and setup and suit before starting.	
	Serial Number	4. make sure the motor has stopped and disconnect power before adjustments, maintenance, or service.	
Manufactured for Grizzly in Taiwan		5. DO NOT expose to rain or dampness.	
		6. DO NOT modify this machine in any way.	
		7. DO NOT remove safety guards.	
		8. Never leave machine running unattended.	
		9. DO NOT operate under the influence of drugs or alcohol.	
		10. Maintain machine carefully to prevent accidents.	

For your convenience, we post all available manuals and manual updates for free on our website at www.grizzly.com. Any updates to your model of machine will be reflected in these documents as soon as they are complete.

Contact Info

We stand behind our machines. If you have any questions or need help, use the information below to contact us. Before contacting, please get the serial number and manufacture date of your machine. This will help us help you faster.

Grizzly Technical Support
1203 Lycoming Mall Circle
Muncy, PA 17756
Phone: (570) 546-9663
Email: techsupport@grizzly.com

We want your feedback on this manual. What did you like about it? Where could it be improved? Please take a few minutes to give us feedback.

Grizzly Documentation Manager
P.O. Box 2069
Bellingham, WA 98227-2069
Email: manuals@grizzly.com

G0734 vs G0735

The only difference between the G0734 and G0735 is that the G0735 features a different motor that has an option for attaching an included flex-shaft rotary tool.

The flex-shaft rotary tool included with the G0735 can be used to drill holes in a workpiece when making internal cuts.



Components & Terminology

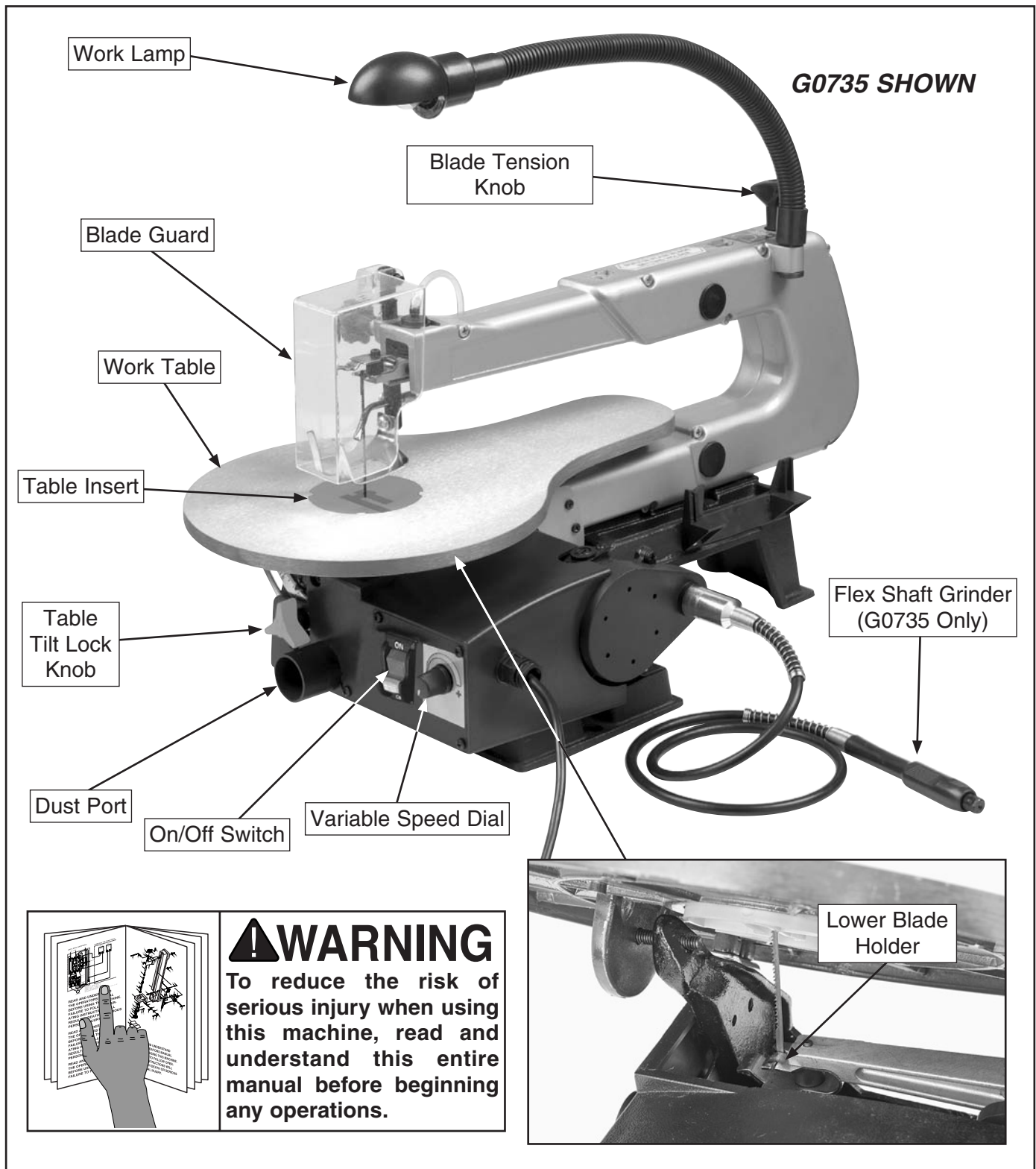


Figure 1. Scroll saw components and terminology.



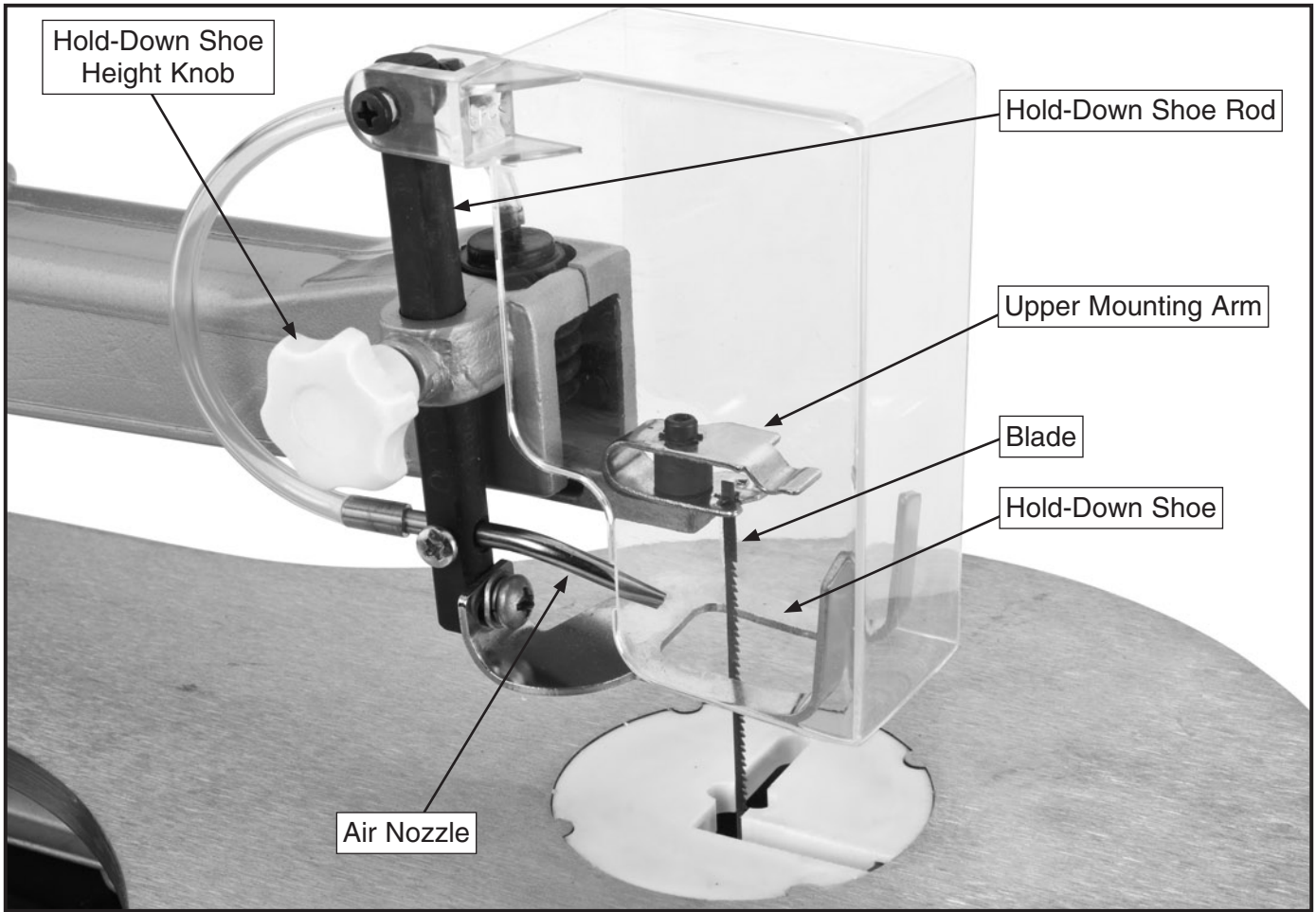


Figure 2. Hold-down shoe rod assembly identification.





MACHINE DATA SHEET

© Grizzly Industrial, Inc. • Customer Service: (800) 523-4777 • Tech Support: (570) 546-9663

MODEL G0734 16" SCROLL SAW

Product Dimensions:

Weight 26 lbs.
Width (side-to-side) x Depth (front-to-back) x Height 11 x 24-3/4 x 12-1/2 in.

Shipping Dimensions:

Type Cardboard
Content Machine
Weight 30 lbs.
Length x Width x Height 26-1/2 x 13 x 16 in.

Capacities:

Depth of Throat 16 in.
Maximum Cutting Height at 90 Degrees 2 in.
Maximum Cutting Height at 45 Degrees 25/32 in.
Table Size 10 x 16-1/4 in.
Table Tilt 0 – 45 deg.

Blade and Movement:

Blade Type Pin or Pin-less
Blade Size 5 in.
Stroke per Minute 550 – 1600
Stroke Length 3/4 in.

Construction:

Base Cast Iron
Tables Aluminum
Arms Aluminum

Motor:

Type DC
Horsepower 1/8 HP
Amps 1.2A
Phase/Voltage 120V
Cycle/RPM 1600 RPM

Features:

10W Flexible Work Light





MACHINE DATA SHEET

© Grizzly Industrial, Inc. • Customer Service: (800) 523-4777 • Tech Support: (570) 546-9663

MODEL G0735 16" SCROLL SAW w/FLEX-SHAFT ROTARY TOOL

Product Dimensions:

Weight 27 lbs
Width (side-to-side) x Depth (front-to-back) x Height 12-1/2 x 24-3/4 x 12-1/2 in.

Shipping Dimensions:

Type Cardboard
Content Machine
Shipping Weight 31 lbs.
Shipping Dimensions 26-1/2 x 13 x 16 in.

Capacities:

Depth of Throat 16 in.
Maximum Cutting Height at 90 Degrees 2 in.
Maximum Cutting Height at 45 Degrees 25/32 in.
Table Size 10 x 16-1/4 in.
Table Tilt 0 – 45 deg.

Blade and Movement:

Blade Type Pin or Pin-less
Blade Size 5 in.
Stroke per Minute 550 – 1600
Stroke Length 3/4 in.
Flexible Shaft Grinder Speed 1650 – 4800 RPM

Construction:

Base Cast Iron
Tables Aluminum
Arms Aluminum

Motor:

Type DC
Horsepower 1/8 HP
Amps 1.2A
Phase/Voltage 120V
Cycle/RPM 1600 RPM

Features:

10W Flexible Work Light
Flex-Shaft Rotary Tool




SECTION 1: SAFETY

WARNING

For Your Own Safety, Read Instruction Manual Before Operating this Machine

The purpose of safety symbols is to attract your attention to possible hazardous conditions. This manual uses a series of symbols and signal words intended to convey the level of importance of the safety messages. The progression of symbols is described below. Remember that safety messages by themselves do not eliminate danger and are not a substitute for proper accident prevention measures.

 **DANGER** Indicates an imminently hazardous situation which, if not avoided, **WILL** result in death or serious injury.

 **WARNING** Indicates a potentially hazardous situation which, if not avoided, **COULD** result in death or serious injury.

 **CAUTION** Indicates a potentially hazardous situation which, if not avoided, **MAY** result in minor or moderate injury. It may also be used to alert against unsafe practices.

NOTICE This symbol is used to alert the user to useful information about proper operation of the machine.

WARNING

Safety Instructions for Machinery

OWNER'S MANUAL. Read and understand this owner's manual **BEFORE** using machine. Untrained users can be seriously hurt.

EYE PROTECTION. Always wear ANSI-approved safety glasses or a face shield when operating or observing machinery to reduce the risk of eye injury or blindness from flying particles. Everyday eyeglasses are not approved safety glasses.

HAZARDOUS DUST. Dust created while using machinery may cause cancer, birth defects, or long-term respiratory damage. Be aware of dust hazards associated with each workpiece material, and always wear a NIOSH-approved respirator to reduce your risk.

WEARING PROPER APPAREL. Do not wear clothing, apparel, or jewelry that can become entangled in moving parts. Always tie back or cover long hair. Wear non-slip footwear to avoid accidental slips which could cause a loss of workpiece control.

HEARING PROTECTION. Always wear hearing protection when operating or observing loud machinery. Extended exposure to this noise without hearing protection can cause permanent hearing loss.

MENTAL ALERTNESS. Be mentally alert when running machinery. Never operate under the influence of drugs or alcohol, when tired, or when distracted.



WARNING

DISCONNECTING POWER SUPPLY. Always disconnect machine from power supply before servicing, adjusting, or changing cutting tools (bits, blades, cutters, etc.). Make sure switch is in OFF position before reconnecting to avoid an unexpected or unintentional start.

APPROVED OPERATION. Untrained operators can be seriously hurt by machinery. Only allow trained or properly supervised people to use machine. When machine is not being used, disconnect power, remove switch keys, or lock-out machine to prevent unauthorized use—especially around children. Make workshop kid proof!

DANGEROUS ENVIRONMENTS. Do not use machinery in wet or rainy locations, cluttered areas, around flammables, or in dark areas. Keep work area clean, dry, and well-lighted.

ONLY USE AS INTENDED. Only use machine for its intended purpose. Never modify machine for a purpose not intended by the manufacturer!

USE RECOMMENDED ACCESSORIES. Consult this owner's manual or the manufacturer for recommended accessories. Using improper accessories will increase the risk of serious injury.

CHILDREN & BYSTANDERS. Keep children and bystanders a safe distance away from work area. Stop using machine if children or bystanders become a distraction.

REMOVE ADJUSTING TOOLS. Never leave adjustment tools, chuck keys, wrenches, etc. in or on machine—especially near moving parts. Verify removal before starting!

SECURING WORKPIECE. When required, use clamps or vises to secure workpiece. A secured workpiece protects hands and frees both of them to operate the machine.

FEED DIRECTION. Unless otherwise noted, feed work against the rotation of blades or cutters. Feeding in the same direction of rotation may pull your hand into the cut.

FORCING MACHINERY. Do not force machine. It will do the job safer and better at the rate for which it was designed.

GUARDS & COVERS. Guards and covers can protect you from accidental contact with moving parts or flying debris. Make sure they are properly installed, undamaged, and working correctly before using machine.

NEVER STAND ON MACHINE. Serious injury or accidental contact with cutting tool may occur if machine is tipped. Machine may be damaged.

STABLE MACHINE. Unexpected movement during operations greatly increases risk of injury or loss of control. Before starting, verify machines are stable and mobile base (if used) is locked.

AWKWARD POSITIONS. Keep proper footing and balance at all times when operating machine. Do not overreach! Avoid awkward hand positions that make workpiece control difficult or increase the risk of accidental injury.

UNATTENDED OPERATION. Never leave machine running while unattended. Turn machine **OFF** and ensure all moving parts completely stop before walking away.

MAINTAIN WITH CARE. Follow all maintenance instructions and lubrication schedules to keep machine in good working condition. An improperly maintained machine increases risk of injury.

CHECK DAMAGED PARTS. Regularly inspect machine for damaged parts, loose bolts, mis-adjusted or mis-aligned parts, binding, or any other conditions that may affect safe operation. Always repair or replace damaged or mis-adjusted parts before operating machine.

MAINTAIN POWER CORDS. When disconnecting cord-connected machines from power, grab and pull the plug—NOT the cord. Pulling the cord may damage the wires inside. Do not handle cord/plug with wet hands. Avoid cord damage by keeping it away from heated surfaces, high traffic areas, harsh chemicals, and wet/damp locations.

EXPERIENCING DIFFICULTIES. If at any time you are experiencing difficulties performing the intended operation, stop using the machine! Contact our Technical Support Department at (570) 546-9663.



WARNING

Additional Safety for Scroll Saws

HAND PLACEMENT. Never position fingers or hands in line with the blade. If the workpiece or your hands slip, serious personal injury could occur.

INTENDED USE. This machine is intended for cutting natural and man-made wood products, and laminate covered wood products. This machine is NOT designed to cut metal, glass, stone, tile, etc.

BLADE CONDITION. Do not operate with dull, cracked or badly worn blade. Dull blades require more effort to perform the cut and increase the risk of kickback. Inspect blades for cracks and missing teeth before each use.

BLADE TENSION. To avoid mishaps that could result in operator injury, make sure the blade teeth face down toward the table and the blade is properly tensioned before operating.

BLADE SPEED. Always allow the blade to come to full speed before starting the cut. Moving the workpiece against a blade that is not at full speed could cause the blade to break or grab the workpiece and draw the operator's hands into the blade.

BLADE CONTROL. To avoid serious personal injury, DO NOT attempt to stop or slow the blade with your hand or the workpiece. Allow the blade to stop on its own.

FEED RATE. To avoid the risk of the workpiece slipping and causing operator injury, always feed stock evenly and smoothly. DO NOT force or twist the blade while cutting, especially when sawing small curves.

BLADE GUARD. The blade guard protects the operator's hands and fingers from the moving blade. ONLY operate this scroll saw with the blade guard in the proper position. Keep the guard as close as possible to the workpiece without interfering with the intended operation.

CUTTING TECHNIQUES. Plan your operation so the blade always cuts to the outside of the workpiece. DO NOT back the workpiece away from the blade while the saw is running, which could cause kickback and personal injuries. If you need to back the workpiece out, turn the scroll saw OFF and wait for the blade to come to a complete stop. DO NOT twist or put excessive stress on the blade that could damage it. Instead, use relief cuts for curve cuts that may twist the blade.

LEAVING WORK AREA. Never leave a machine running unattended. Allow the scroll saw to come to a complete stop before you leave it unattended.

SMALL WORKPIECE HANDLING. If your hands slip while holding small workpieces with your fingers during a cut, amputation or laceration injuries could occur. Always support/feed the workpiece with push sticks, jig, vise, or some type of clamping fixture.

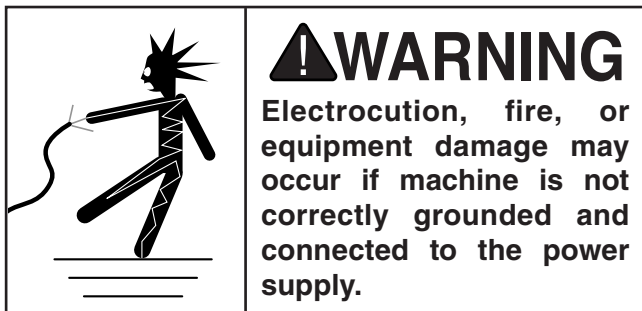
CUT-OFF PIECES. Never use your hands to move cut-offs away from the blade while the saw is running. If a cut-off becomes trapped between the blade and table insert, turn the saw **OFF** and allow the blade to completely stop before removing it.



SECTION 2: POWER SUPPLY

Availability

Before installing the machine, consider the availability and proximity of the required power supply circuit. If an existing circuit does not meet the requirements for this machine, a new circuit must be installed. To minimize the risk of electrocution, fire, or equipment damage, installation work and electrical wiring must be done by a qualified electrician in accordance with all applicable codes and standards.



Full-Load Current Rating

The full-load current rating is the amperage a machine draws at 100% of the rated output power. On machines with multiple motors, this is the amperage drawn by the largest motor or sum of all motors and electrical devices that might operate at one time during normal operations.

Full-Load Current Rating 1.2 Amps

The full-load current is not the maximum amount of amps that the machine will draw. If the machine is overloaded, it will draw additional amps beyond the full-load rating.

If the machine is overloaded for a sufficient length of time, damage, overheating, or fire may result—especially if connected to an undersized circuit. To reduce the risk of these hazards, avoid overloading the machine during operation and make sure it is connected to a power supply circuit that meets the requirements in the following section.

! WARNING

Serious injury could occur if you connect the machine to power before completing the setup process. DO NOT connect to power until instructed later in this manual.

Circuit Requirements

This machine is prewired to operate on a 120V power supply circuit that has a verified ground and meets the following requirements:

Nominal Voltage 120V
Cycle 60 Hz
Phase Single-Phase
Power Supply Circuit 15 Amps

A power supply circuit includes all electrical equipment between the breaker box or fuse panel in the building and the machine. The power supply circuit used for this machine must be sized to safely handle the full-load current drawn from the machine for an extended period of time. (If this machine is connected to a circuit protected by fuses, use a time delay fuse marked D.)

! CAUTION

For your own safety and protection of property, consult an electrician if you are unsure about wiring practices or electrical codes in your area.

Note: *The circuit requirements listed in this manual apply to a dedicated circuit—where only one machine will be running at a time. If this machine will be connected to a shared circuit where multiple machines will be running at the same time, consult a qualified electrician to ensure that the circuit is properly sized for safe operation.*



Grounding & Plug Requirements

This machine **MUST** be grounded. In the event of certain malfunctions or breakdowns, grounding reduces the risk of electric shock by providing a path of least resistance for electric current.

This machine is equipped with a power cord that has an equipment-grounding wire and a grounding plug (similar to the figure below). The plug must only be inserted into a matching receptacle (outlet) that is properly installed and grounded in accordance with all local codes and ordinances.

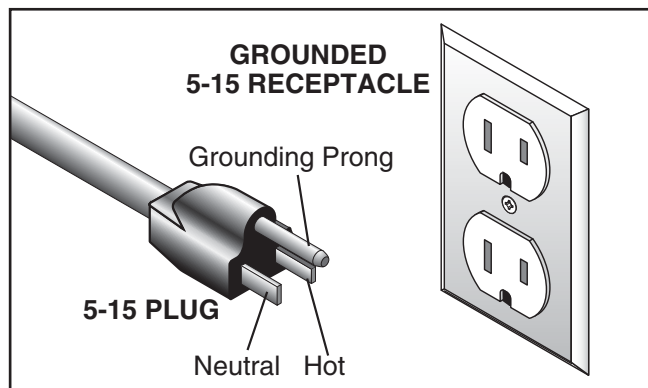
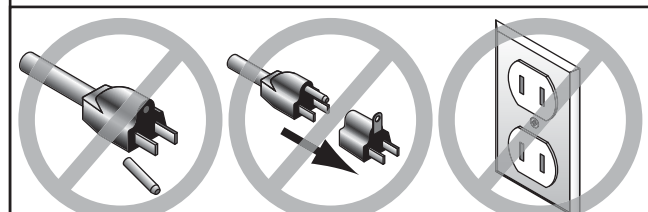


Figure 3. Typical 5-15 plug and receptacle.

⚠ CAUTION



SHOCK HAZARD!

Two-prong outlets do not meet the grounding requirements for this machine. Do not modify or use an adapter on the plug provided—if it will not fit the outlet, have a qualified electrician install the proper outlet with a verified ground.

Improper connection of the equipment-grounding wire can result in a risk of electric shock. The wire with green insulation (with or without yellow stripes) is the equipment-grounding wire. If repair or replacement of the power cord or plug is necessary, do not connect the equipment-grounding wire to a live (current carrying) terminal.

Check with a qualified electrician or service personnel if you do not understand these grounding requirements, or if you are in doubt about whether the tool is properly grounded. If you ever notice that a cord or plug is damaged or worn, disconnect it from power, and immediately replace it with a new one.

Extension Cords

We do not recommend using an extension cord with this machine. If you must use an extension cord, only use it if absolutely necessary and only on a temporary basis.

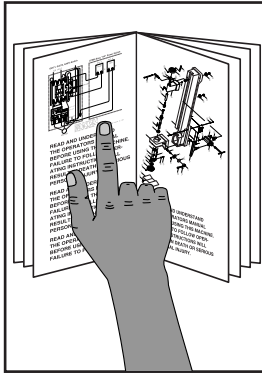
Extension cords cause voltage drop, which may damage electrical components and shorten motor life. Voltage drop increases as the extension cord size gets longer and the gauge size gets smaller (higher gauge numbers indicate smaller sizes).

Any extension cord used with this machine must contain a ground wire, match the required plug and receptacle, and meet the following requirements:

Minimum Gauge Size16 AWG
Maximum Length (Shorter is Better).....50 ft.



SECTION 3: SETUP



!WARNING
This machine presents serious injury hazards to untrained users. Read through this entire manual to become familiar with the controls and operations before starting the machine!

Needed for Setup

The following are needed to complete the setup process, but are not included with your machine.

Description	Qty
• Safety Glasses	1
• Phillips Screwdriver #2	1
• Shop Vacuum (for dust collection)	1

Unpacking

Your machine was carefully packaged for safe transportation. Remove the packaging materials from around your machine and inspect it. If you discover any damage, *please call us immediately at (570) 546-9663 for advice.*

Save the containers and all packing materials for possible inspection by the carrier or its agent. *Otherwise, filing a freight claim can be difficult.*

When you are completely satisfied with the condition of your shipment, inventory the contents.



!WARNING
SUFFOCATION HAZARD!
Keep children and pets away from plastic bags or packing materials shipped with this machine. Discard immediately.



Inventory

The following is a description of the main components shipped with your machine. Lay the components out to inventory them.

If any non-proprietary parts are missing (e.g. a nut or a washer), we will gladly replace them; or for the sake of expediency, replacements can be obtained at your local hardware store.

Box 1: (Figure 4)	Qty
A. Blade Guard	1
B. Blade Adapters	2
C. Pin-End Blade 18 TPI.....	1
D. Hex Wrench 3mm.....	1
E. Hex Wrench 2.5mm.....	1
F. Pin-End Blade 15 TPI (Not Shown).....	1

G0735 Flex-Shaft Rotary Tool (Figure 5)

G. Drill Bit 1/8"	1
H. Collet Chuck Wrench.....	1
I. L-Wrench	1
J. Flex-Shaft Rotary Tool.....	1

NOTICE

If you cannot find an item on this list, carefully check the machine and the packaging materials. Some of these items may be pre-installed for shipping or become misplaced during unpacking.

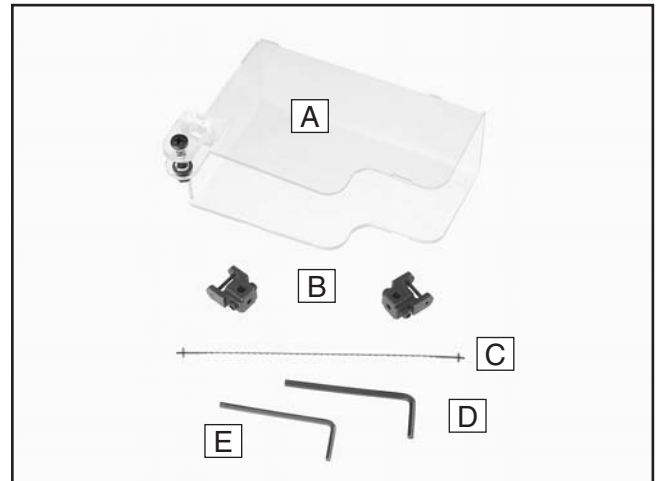


Figure 4. Box 1 inventory items.

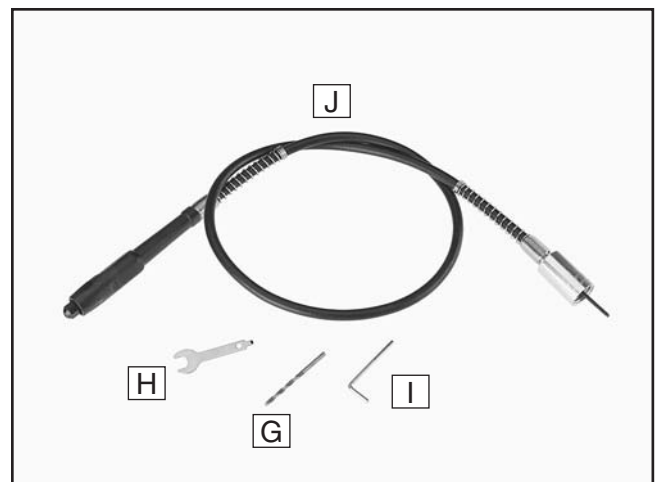


Figure 5. Additional inventory items for G0735.



Site Considerations

Workbench Load

Refer to the **Machine Data Sheet** for the weight and footprint specifications of your machine. Some workbenches may require additional reinforcement to support both the machine and materials.

Placement Location

Consider existing and anticipated needs, size of material to be processed through each machine, and space for auxiliary stands, work tables or other machinery when establishing a location for your new machine. See **Figure 6** for the minimum working clearances.

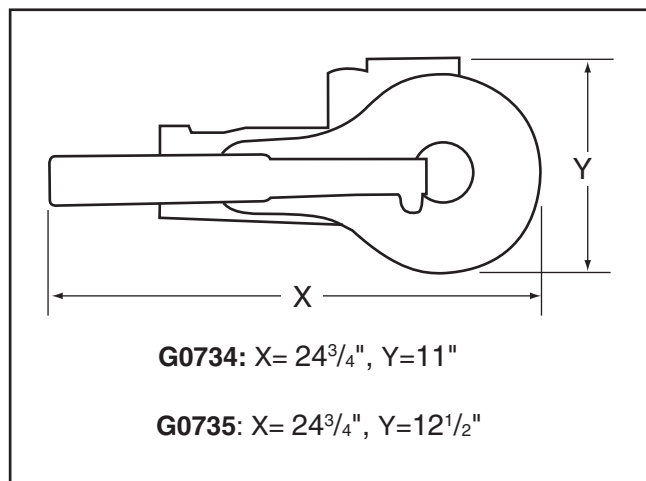


Figure 6. Minimum working clearances.

	<p>⚠ CAUTION</p> <p>Children and visitors may be seriously injured if unsupervised around this machine. Lock entrances to the shop or disable start switch or power connection to prevent unsupervised use.</p>
--	--

Mounting

The base of this machine has mounting holes that allow it to be fastened to a workbench or other mounting surface to prevent it from moving during operation and causing accidental injury or damage.

The strongest mounting option is a "Through Mount" (see example below) where holes are drilled all the way through the workbench—and hex bolts, washers, and hex nuts are used to secure the machine in place.

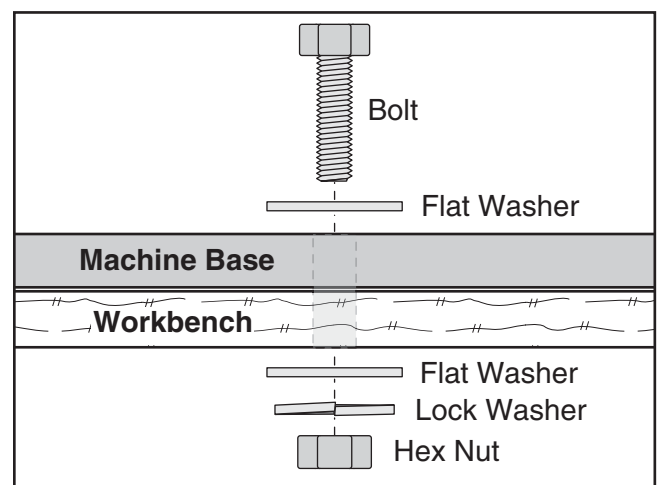


Figure 7. Example of a "Through Mount" setup.

Another option is a "Direct Mount" (see example below) where the machine is secured directly to the workbench with lag screws and washers.

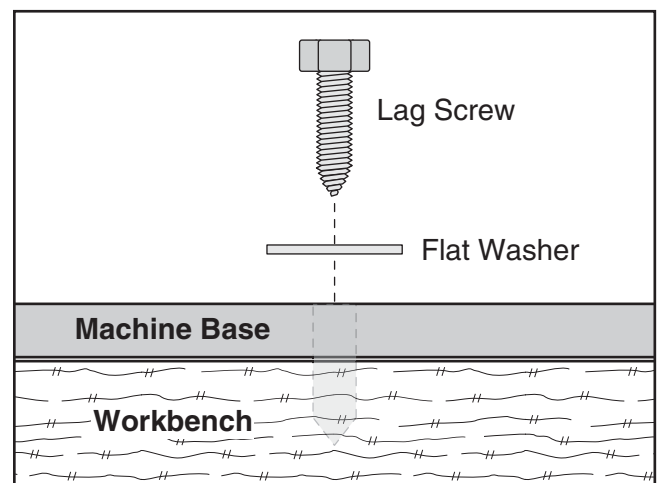


Figure 8. Example of a "Direct Mount" setup.



Assembly

Scroll Saw Assembly

1. ENSURE MACHINE IS DISCONNECTED FROM POWER SUPPLY!
2. Use the pre-installed Phillips head screw, hex nut and washers to attach the blade guard to the top of the hold-down shoe rod, as shown in **Figure 9**. Avoid over-tightening screw!

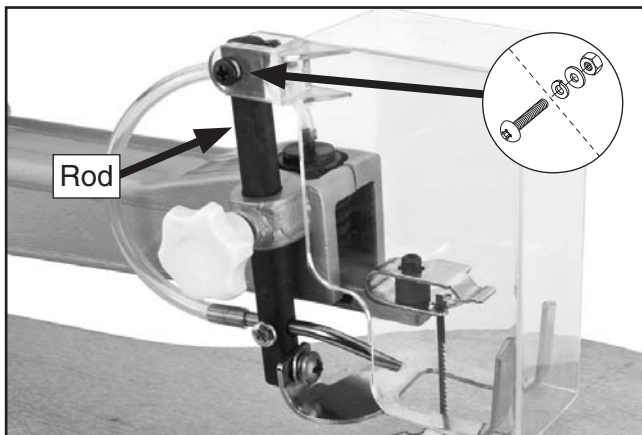


Figure 9. Blade guard installed.

Note: *Over-tightening the mounting screw could crack the plastic arms of the blade guard.*

3. Pivot the guard up and down to ensure it moves smoothly. If necessary, loosen the mounting screw until the guard moves smoothly.
4. Connect the air tubing to the backside of the air nozzle, as shown in **Figure 10**.

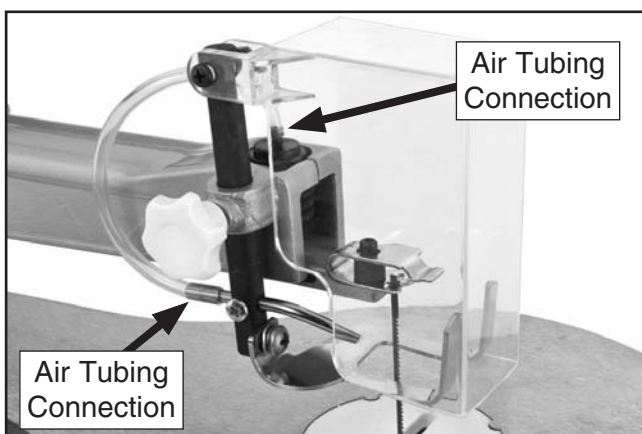


Figure 10. Air tubing connections.

5. Check that the blade pins are seated in the V-notch indents, as shown in **Figure 27** and **Figure 28** on **Page 23**.
6. Pinch the blade and move it side to side with light pressure to verify that it is tensioned enough that it will not come off during operation. Blade tensioning instructions are provided on **Page 20**, if adjustments are necessary.
7. Fit a shop vacuum hose over the dust port (**Figure 11**) and secure it in place with a hose clamp.

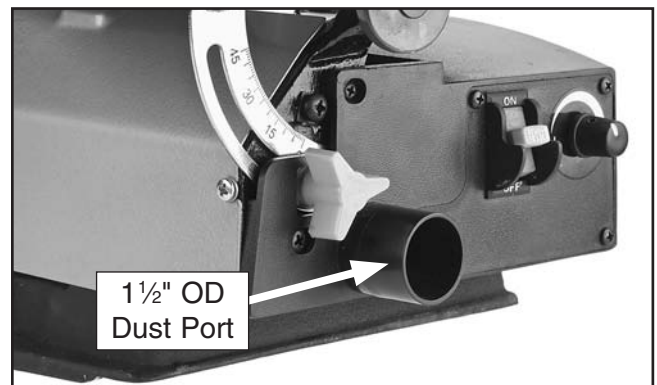


Figure 11. Dust port.

8. Tug the hose to make sure it does not come off. A tight fit is necessary for proper performance.



G0735 Flex Shaft Assembly

1. Remove the cap shown in **Figure 12**.

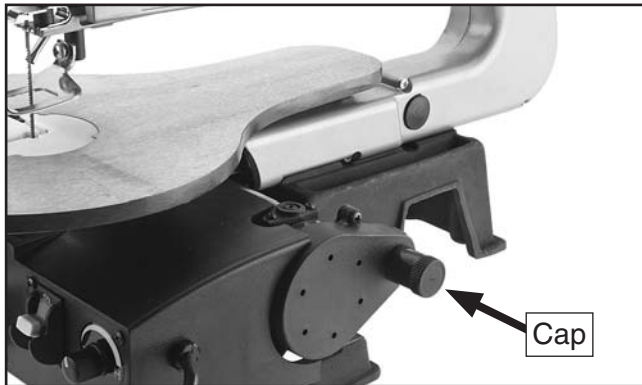


Figure 12. Flex shaft cap location.

2. Insert the inner spindle into the threaded shaft, then thread on the flex shaft, as shown in **Figure 13**.

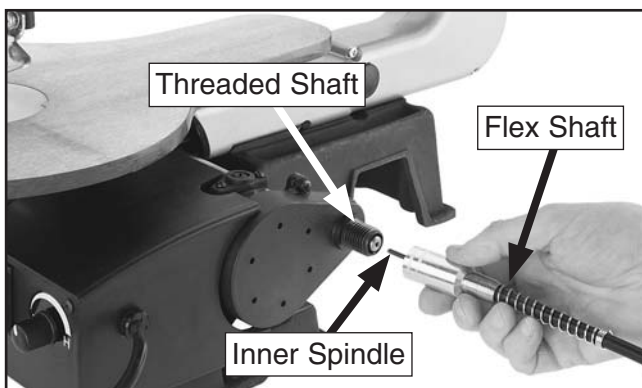


Figure 13. Installing flex shaft.

3. Insert the included drill bit or a tool bit (not included) into the flex shaft collet.
4. Insert the L-wrench into the hole on the collet and tighten the bit with the collet wrench, as shown in **Figure 14**.

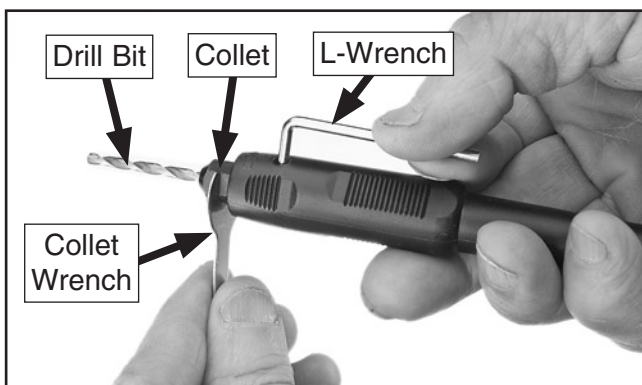


Figure 14. Securing drill bit in flex shaft collet.

Power Connection

After you have completed all previous setup instructions and circuit requirements, the machine is ready to be connected to the power supply.

To avoid unexpected startups or property damage, use the following steps whenever connecting or disconnecting the machine.

Connecting Power

1. Turn the machine power switch **OFF**.
2. Insert the power cord plug into a matching power supply receptacle. The machine is now connected to the power source.

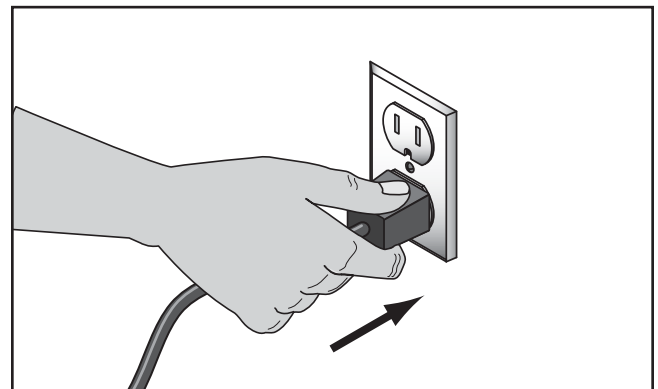


Figure 15. Connecting power.

Disconnecting Power

1. Turn the machine power switch **OFF**.
2. Grasp the molded plug and pull it completely out of the receptacle. Do not pull by the cord as this may damage the wires inside.

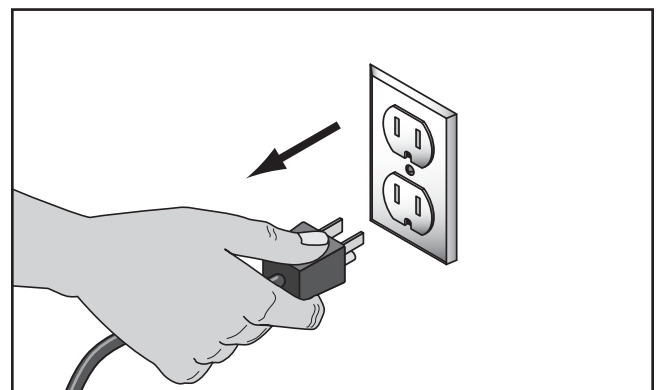


Figure 16. Disconnecting power.



Test Run

Once the assembly is complete, test run your machine to make sure it runs properly and is ready for regular operation.

The test run consists of verifying the following:
1) The motor powers up and runs correctly, and
2) the safety disabling mechanism on the switch works correctly.

If, during the test run, you cannot easily locate the source of an unusual noise or vibration, stop using the machine immediately, then review **Troubleshooting** on **Page 26**.

If you still cannot remedy a problem, contact our Tech Support at (570) 546-9663 for assistance.

To test run the machine:

1. Make sure you have read the safety instructions at the beginning of the manual and that the machine is setup properly.
2. Make sure all tools and objects used during setup are cleared away from the machine.
3. Make sure the blade is properly installed and tensioned, and that the blade guard is in the down position.
4. Rotate the variable speed knob counterclockwise to 550 SPM.
5. Connect the machine to the power source.
6. **Model G0735 Only:** Firmly hold the flex-shaft rotary tool.
7. Turn the machine **ON**.
 - When operating correctly, the machine runs smoothly with little or no vibration or rubbing noises.
 - Investigate and correct strange or unusual noises or vibrations before operating the machine further. Always disconnect the machine from power when investigating or correcting potential problems.

8. Turn the machine **OFF**.
9. Remove the switch disabling key, as shown in **Figure 17**.

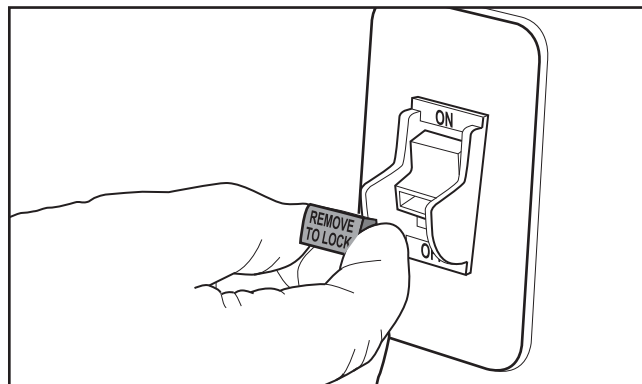
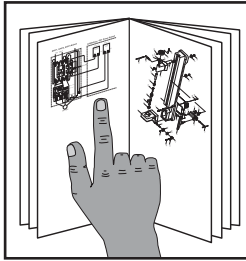


Figure 17. Removing switch key from toggle switch.

10. Try to turn the start the machine by flipping the toggle switch to the ON position.
 - If the machine does not start, the switch disabling feature is working as designed.
 - If the machine starts, immediately stop the machine. The switch disabling feature is not working correctly. This safety feature must work properly before proceeding with regular operations. Call Tech Support for help.
11. **Model G0735 Only:** Remove the flex-shaft rotary tool until you need to operate it, and re-install the flex shaft cap.



SECTION 4: OPERATIONS

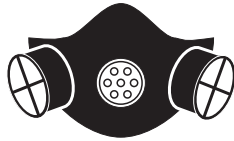


!WARNING

To reduce the risk of serious injury when using this machine, read and understand this entire manual before operating.

!WARNING

Damage to your eyes and lungs could result from using this machine without proper protective gear. Always wear safety glasses and a respirator when operating this machine.



NOTICE

If you have never used this type of machine or equipment before, WE STRONGLY RECOMMEND that you read books, review industry trade magazines, or get formal training before beginning any projects. Regardless of the content in this section, Grizzly Industrial will not be held liable for accidents caused by lack of training.

Disabling Switch

The switch can be disabled by removing the key, as shown below. Disabling the switch in this manner can prevent unauthorized operation of the machine, which is important if it is not kept inside an access-restricted building or in a location where children may be present.

IMPORTANT: *Disabling the switch only restricts its function. It is not a substitute for disconnecting machine from power when adjusting or servicing.*

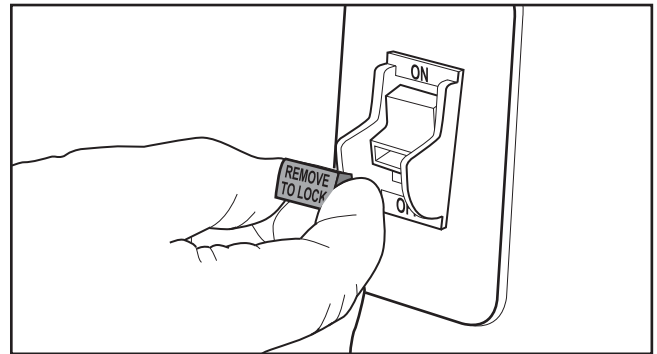


Figure 18. Disabling switch by removing key.

!WARNING

Children or untrained people can be seriously injured by this machine. This risk increases with unsupervised operation. To help prevent unsupervised operation, always disable switch before leaving machine unattended. Make sure to place key in a well-hidden or secure location!



Basic Cutting Tips

Here are some basic tips to follow when operating the scroll saw:

- Typically, a scroll saw blade stays sharp from ½ hour to 2 hours of use, depending on how the blade is used and the type of material being cut.
- Best cutting results will be achieved when cutting workpieces less than 1" thick.
- When cutting workpieces thicker than 1", move the workpiece through the blade very slowly.
- Blades will dull much faster when cutting plywood, hardwoods, and laminates.
- Exerting excessive side pressure on the blade greatly increases the chance of blade breakage.
- When cutting curves, plan your cut before starting. Make relief cuts in waste areas near tight inside curves or leave tight inside curves for a second pass to minimizing backing out. Cut sharp outside curves by cutting past the curve and looping around to cut from a different angle.
- When approaching a tight radius, slow down your feed rate, but don't stop. Give the teeth time to make the cut. Forcing the workpiece through the curve will cause the blade to twist or break.
- If your cut produces waste in the curve's interior, turn the power **OFF** and wait until all motion stops before removing the waste.
- Scroll saw blades have a tendency to drift. This is compensated by adjusting the feed direction.

Hold-Down Shoe & Blade Guard

The hold-down shoe and blade guard are mounted on the same rod and are adjusted together. The hold-down shoe keeps the workpiece from raising up from the force of the moving blade. The blade guard helps prevent debris from flying at the operator and acts as a barrier between the blade and the operator's hands, thus reducing the risk of accidental contact.

To adjust the hold-down shoe and blade guard:

1. DISCONNECT MACHINE FROM POWER!
2. Loosen the lock knob and shoe screw shown in **Figure 19**, then lower the shoe until it touches the table.

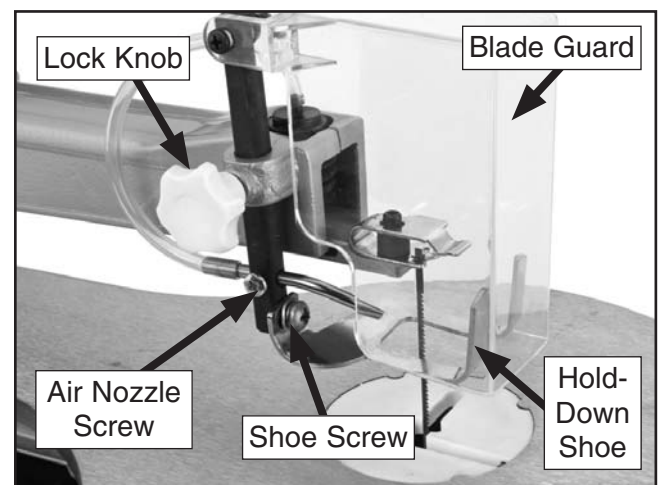


Figure 19. Hold-down shoe and blade guard assembly.

3. Lower the blade guard over the shoe.
4. Adjust the shoe so it is parallel with the table and approximately 1/8"–1/4" higher than the workpiece.

Note: When tilting the table for your cutting operation, adjust the shoe so it remains parallel with the table.

5. Re-tighten the hold-down height knob and shoe screw, then check that the workpiece moves smoothly under the shoe.



Air Nozzle

The air nozzle blows air at the blade to keep wood debris away from the line of the cut. This makes it easier to follow your cutting lines with accuracy.

Blade Tension

Blade tension is adjusted using the knob shown in **Figure 20**. Turn the blade tension knob clockwise to increase the blade tension and counterclockwise to decrease it.

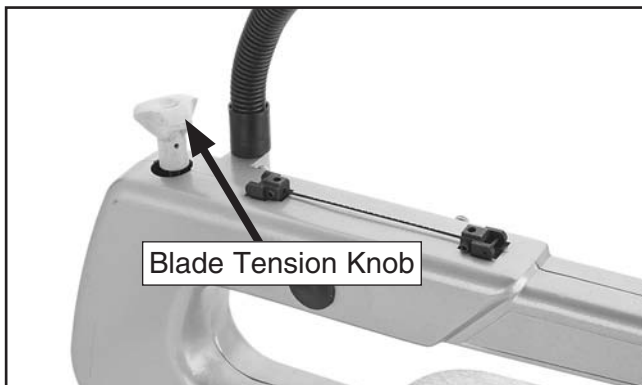


Figure 20. Blade tension knob.

If the blade is not tensioned enough, it will drift while cutting, making it difficult to follow your cutting lines. If the blade is too tight, it can break or cause damage to the saw.

To check/adjust the blade tension:

1. DISCONNECT POWER TO SAW!
2. Pivot the blade guard up.
3. Pinch the blade and move it side to side with light pressure to check the tension. When properly tensioned, the blade will deflect only slightly when moved and the ends will remain firmly in position.
4. Tighten/loosen the blade as necessary and pivot the blade guard down. Perform a test cut on a scrap piece of wood and repeat this entire procedure if further adjustments are necessary.

Standard Scroll Cuts

For standard scroll cutting, follow the pattern line on the workpiece by pushing and turning the workpiece at the same time, which allows the kerf of the cut to make way for the turn.

DO NOT turn the workpiece without pushing it through the blade at the same time; otherwise, the blade could twist and break.

See **Figures 21–22** for examples of standard scroll cutting.

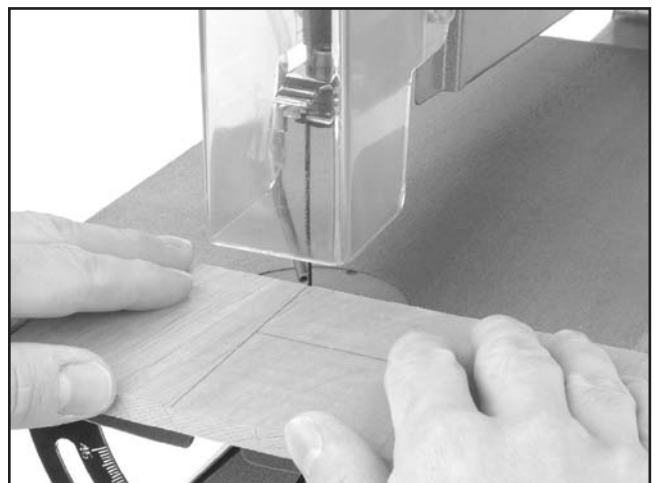


Figure 21. Example of a straight cut.

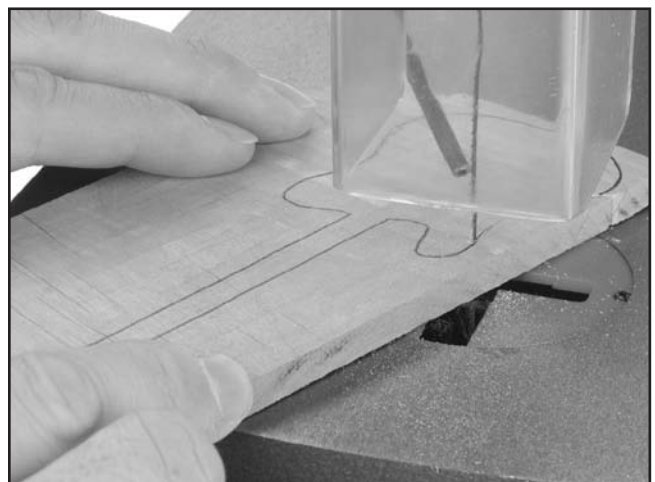


Figure 22. Example of making a curved cut.



Inside Cuts

Inside cuts can be easily made with your scroll saw by threading the blade through a hole drilled in the workpiece. The flex-shaft rotary tool on the G0735 can be used to assist with drilling.

To make an inside cut:

1. DISCONNECT MACHINE FROM POWER!
2. Drill a 1/4" hole in the workpiece inside the waste area of the internal cut.
3. Remove the blade from the saw.
4. Insert the blade through the previously drilled hole in the workpiece (**Figure 23**).

Note: If using a plain end blade, remove one blade adapter to allow the blade to be inserted through the workpiece, then re-install the adapter on the blade.

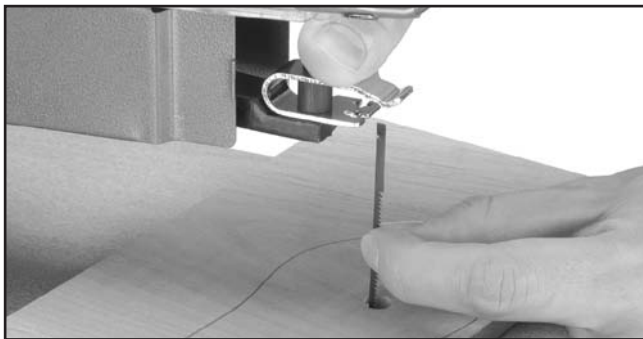


Figure 23. Example of installing blade for an inside cut.

5. Re-install the blade.
6. Adjust the hold-down shoe and guard, connect the saw to power, then perform the cut.
7. When finished, disconnect the saw from power, remove the blade from the saw and workpiece, remove the workpiece, then re-install the blade on the saw.

Bevel Cuts

Bevel cuts can be used for miters, cope joints, and making relief or recessed projects.

To make a bevel cut:

1. Draw your pattern as described in the previous sections.
2. Adjust the table to the desired angle.
3. Using the same principles as in the previous sections, feed the work slowly and evenly into the blade, remembering not to force the workpiece (see **Figure 24**).

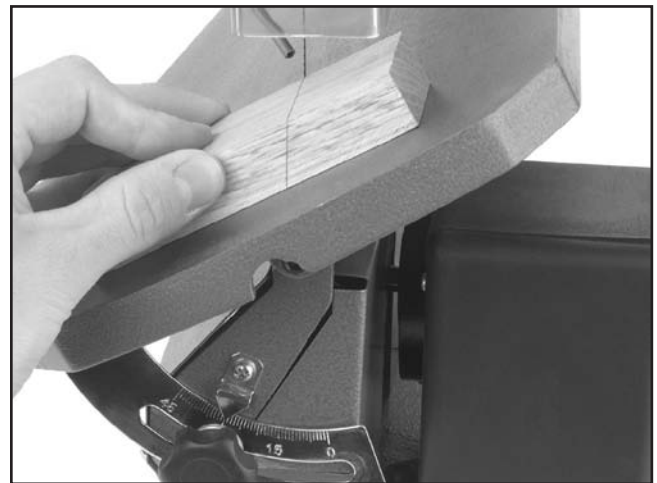


Figure 24. Example of making a bevel cut.

4. Wait until all motion has stopped before removing waste near the blade.

Flex Shaft Tool

To operate the flex-shaft rotary tool:

1. Position the guard so it covers the hold-down shoe and touches the table.
2. Hold the flex-shaft rotary tool, turn the power **ON**, and select the desired speed for the operation using the variable speed dial.
3. After completing work with the flex-shaft rotary tool, remove it from the machine and re-install the flex shaft cap.



Blade Speed

Use the variable speed knob shown in **Figure 25** to adjust the blade speed between 550–1650 SPM (strokes per minute).

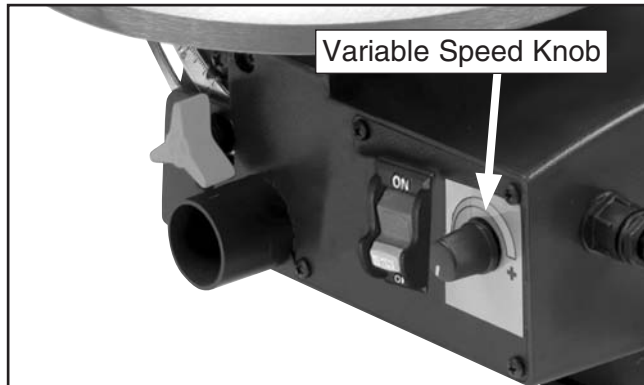


Figure 25. Variable speed knob.

Scroll Saw Blades

Call 1-800-523-4777 To Order

Model	#	Width	TPI	Tooth	Tip	Qty
H9016	01	0.032"	24	Flat	Plain	12
H9017	02	0.032"	22	Flat	Plain	12
H9018	03	0.040"	20	Flat	Plain	12
H9019	04	0.048"	20	Flat	Plain	12
H9020	05	0.056"	16	Flat	Plain	12
H9021	06	0.062"	14	Flat	Plain	12
H9024	01	0.042"	48	Spiral	Plain	12
H9025	02	0.046"	44	Spiral	Plain	12
H9026	03	0.052"	41	Spiral	Plain	12
H9027	04	0.060"	37	Spiral	Plain	12
H9028	05	0.066"	35	Spiral	Plain	12
H9029	06	0.075"	30	Spiral	Plain	12

Blade Selection

Teeth Per Inch	Width	Thickness	SPM	Workpiece Material
10 TPI	0.110"	0.020"	1200–1650	General purpose cutting. Hard and soft woods between $\frac{3}{16}$ "–2". Also good for plastics, paper, felt, and bone.
15 TPI	0.110"	0.020"	700–1200	Thin wood and plastic between $\frac{3}{32}$ "– $\frac{1}{2}$ ".
18 TPI	0.095"	0.010"	550–700	Tight radius cutting in thin hard and soft woods between $\frac{3}{32}$ "– $\frac{1}{8}$ ". Also good for thin pieces of bone, ivory, plastics and veneer.



Pin-End Blades

Scroll saw blades are classified as either "pin-end" (mounting pins in the ends of the blade) or "plain end" (no pins). The blades included with your scroll saw are pin-end blades.

To install a pin-end blade:

1. DISCONNECT MACHINE FROM POWER!
2. Rotate the blade tension knob counterclockwise to decrease the blade tension.
3. Position the hold-down shoe at the maximum height and swing the blade guard up and out of the way to give you working room.
4. Remove the table insert, then remove the screws and lower arm guard shown in **Figure 26**.

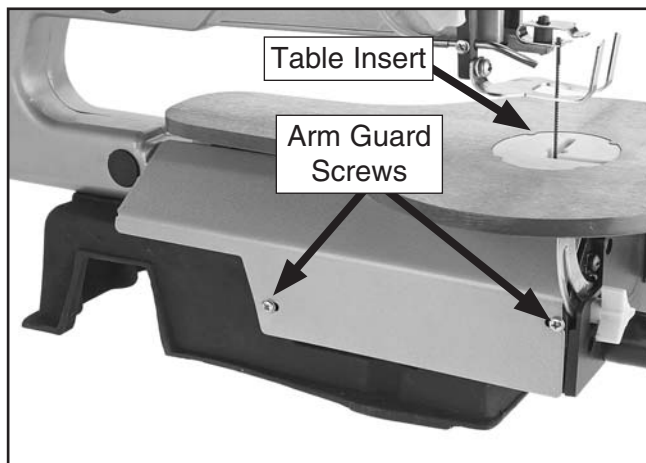


Figure 26. Table insert and arm guard.

5. Push down on the upper blade mounting arm shown in **Figure 27**, slide the blade out of the upper and lower mounting arms, then remove it.

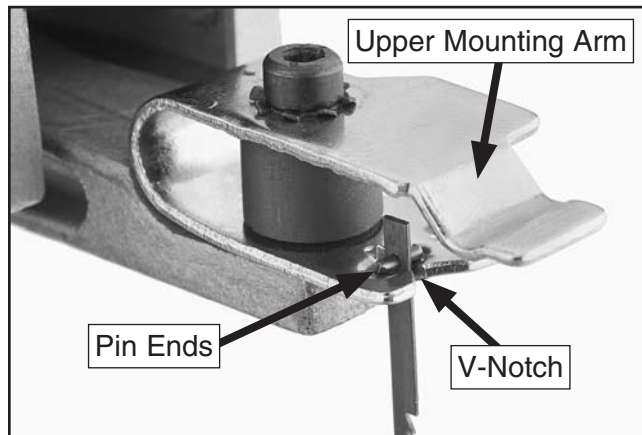


Figure 27. Blade installed on upper blade mounting arm.

6. Slide the saw blade down through the table hole so that the teeth face down and forward.
7. Position the lower pin-ends underneath the V-notch in the lower blade holder, as shown in **Figure 28**.

Note: Wiggle the blade end back and forth with slight pressure to make sure the pins are seated in the indents of the mounting arm.

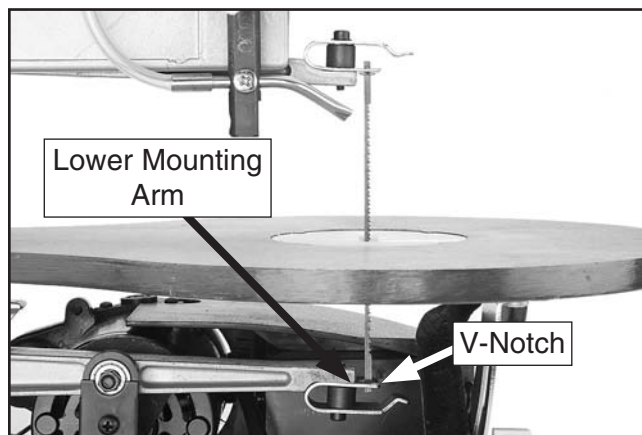


Figure 28. Pin-end blade properly installed on lower blade mounting arm.

8. Push the upper blade mounting arm down, then slide the upper pin-ends onto the V-notch of the upper blade holder, as shown in **Figure 27**.
9. Replace the table insert and arm guard.
10. Tension the blade.



Plain-End Blades

The V-notches of the upper and lower blade holders are designed to hold pin-end blades. However, with the use of the blade adapters, plain-end blades can be used with your scroll saw.

Tools Needed	Qty
Hex Wrench 4mm.....	1

To install a plain-end blade:

1. DISCONNECT MACHINE FROM POWER!
2. Repeat **Steps 1–5 on Page 23**.
3. Loosen the blade adapter set screws to allow the saw blade ends to slide through the adapters, as illustrated in **Figure 29**.

Note: *The set screws can be threaded into either set of adapter holes depending on whether side cutting or straight cutting is desired.*

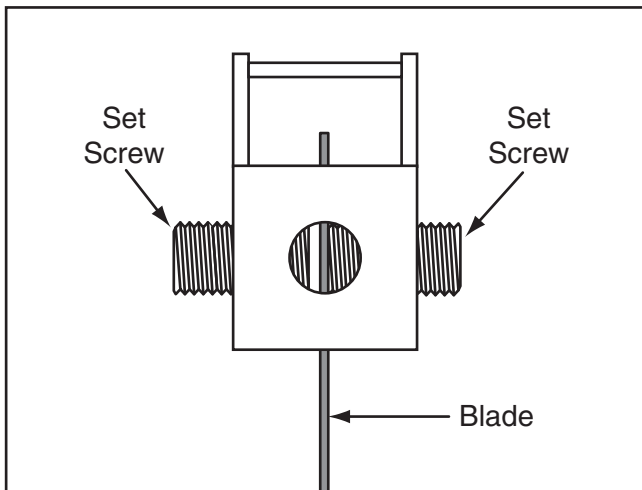


Figure 29. Plain end blade inserted and secured into a blade adapter.

4. Thread one set screw in until it just makes contact with the blade. Keep the other set screw loose for now, as illustrated in **Figure 29**.

5. Place the adapters and the blade in the indents on the top arm, as shown in **Figure 30**, with the blade facing up.

Note: *Performing **Steps 5–6** correctly sets the overall length of the assembly to properly fit on the blade holders.*

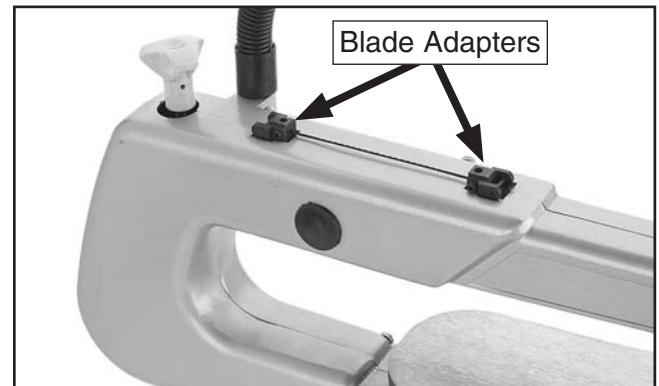


Figure 30. Blade with adapters inserted into indexing slots.

6. Tighten the remaining adapter set screws to secure the blade.
7. Slide one end of the blade assembly through the table hole, and place the adapter over the upper mounting arm (see **Figure 31**).

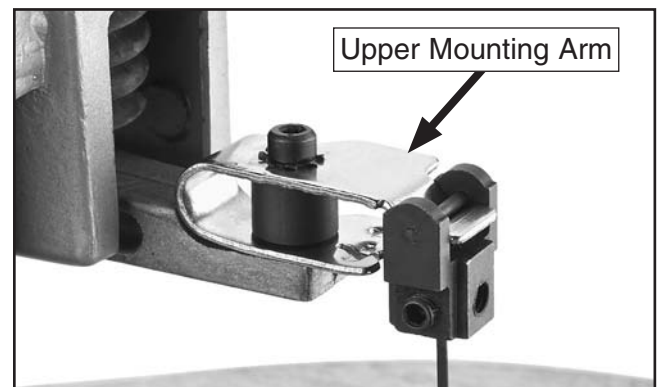


Figure 31. Adapter with plain-end blade installed on upper mounting arm.

8. While holding the adapter, press it down and install the other adapter on the lower mounting arm (see **Figure 28 on Page 23**).
9. Replace the table insert and arm guard, adjust the hold-down shoe, then tension the blade.



SECTION 5: MAINTENANCE



Schedule

For optimum performance from your machine, follow this maintenance schedule and refer to any specific instructions given in this section.

Daily Check:

- Loose mounting bolts.
- Damaged saw blade.
- Worn or damaged wires.
- Any other unsafe condition.

Cleaning

Cleaning the Model G0734/G0735 is relatively easy. Vacuum excess wood chips and sawdust, and wipe off the remaining dust with a dry cloth.

If excessive sawdust accumulates around the motor, remove the arm guard and remove the sawdust with a vacuum.

Lubrication

The upper and lower arms have two sleeve bearings each that require lubrication with SAE 20 Wt oil after every 8 hours of machine use.

To lubricate the sleeve bearings:

1. DISCONNECT MACHINE FROM POWER!
2. Remove the plastic caps over the sleeve bearings to expose their ends (see **Figure 32**).

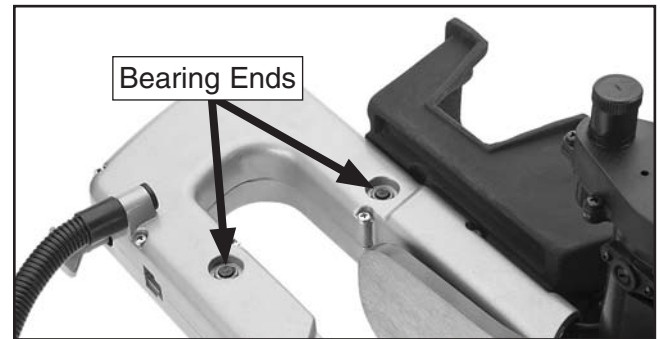


Figure 32. Plastic caps removed to expose sleeve bearing ends.

3. Lay the saw on its side as flat as possible, then apply a generous amount of light machine oil to the two cups around the bearing ends. Let the oil seep into the bearings for an hour or two.
4. Wipe off the excess oil, turn the saw over, and repeat **Step 3** to the remaining two bearings.
5. Replace the plastic caps before beginning operation to keep dust and debris from reaching the bearings.

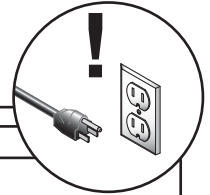


SECTION 6: SERVICE

Review the troubleshooting and procedures in this section if a problem develops with your machine. If you need replacement parts or additional help with a procedure, call our Technical Support at (570) 546-9663.

Note: Please gather the serial number and manufacture date of your machine before calling.

Troubleshooting



Symptom	Possible Cause	Possible Solution
Motor will not start; circuit breaker trips.	<ol style="list-style-type: none"> 1. Short circuit in line cord or plug; circuit breaker at fault. 2. Variable speed/power switch at fault. 3. Motor at fault. 4. Circuit board at fault 5. Low voltage. 	<ol style="list-style-type: none"> 1. Disconnect power, and inspect line cord and circuit for electrical shorts and repair; replace circuit breaker. 2. Test/replace variable speed/power switch. 3. Test/replace motor. 4. Test/replace circuit board. 5. Have the line voltage checked (110–120V required).
Motor slows or stalls during operation.	<ol style="list-style-type: none"> 1. Too much pressure applied to the workpiece. 2. Low voltage. 3. Motor brushes worn or damaged. 	<ol style="list-style-type: none"> 1. Reduce the feed rate and pressure on the workpiece. 2. Have the line voltage checked (110–120V required). 3. Inspect/replace motor brushes (refer to Page 28).
Excessive vibration from saw.	<ol style="list-style-type: none"> 1. Machine mounting fasteners loose. 2. Unsuitable mounting surface. 3. Loose motor mounts. 	<ol style="list-style-type: none"> 1. Inspect/re-tighten/replace. 2. The more solid the mounting surface is, the less vibration will be felt (solid wood is better than plywood). 3. Inspect/re-tighten/repair.
Blade will not stay on layout line.	<ol style="list-style-type: none"> 1. Blade not tensioned correctly. 2. Too much pressure applied to the workpiece. 3. Blade holders not aligned correctly. 	<ol style="list-style-type: none"> 1. Properly tension the blade (refer to Page 20). 2. Reduce the feed rate and pressure on the workpiece. 3. Re-adjust the blade holders so that are aligned in a straight line with the saw.
Excessive blade breakage.	<ol style="list-style-type: none"> 1. Blade not tensioned correctly. 2. Not using relief cuts when cutting tight curves; twisting blade. 3. Wrong blade for the operation. 4. Too much pressure on the blade. 5. Incorrect blade for cutting task. 	<ol style="list-style-type: none"> 1. Properly tension the blade (refer to Page 20). 2. Use more relief cuts for tight turns; reduce feed rate; do not twist the blade—allow the blade to do the work. 3. Refer to the Blade Selection Chart on Page 22 and use the right blade for the operation. 4. Reduce the pressure on the workpiece as it passes through the blade. 5. Select correct blade for task.



Table Tilt Calibration

The table lock knob and tilt scale are used to tilt the table for horizontal angle cuts.

Note: *The table tilt scale is only an approximate scale and should not be used when precise angle measurements are required for the operation.*

Tools Needed	Qty
Phillips Screwdriver #2	1
Wrench 10mm	1
Machinist's Square 2"	1

To calibrate the table tilt:

1. DISCONNECT MACHINE FROM POWER!
2. Raise the hold-down shoe at the maximum height and lock it in place.
3. Loosen the table tilt lock knob (**Figure 33**).

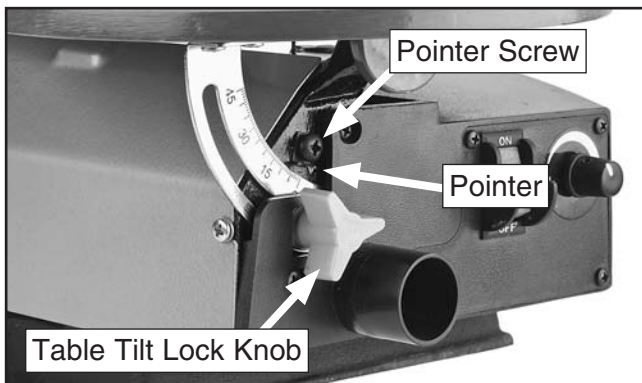


Figure 33. Table tilt lock knob.

4. Place the machinist's square behind the blade, as shown in **Figure 34**.

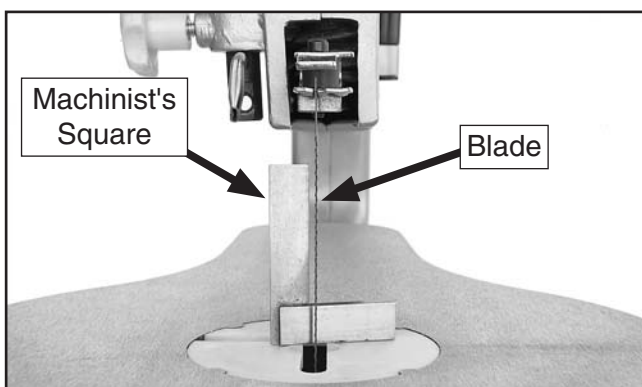


Figure 34. Squaring table to blade.

5. Adjust the table to be square with the blade, then tighten the lock knob.
6. Loosen the pointer screw, adjust the tip to the 0° mark on the scale, then tighten the screw to secure the setting.

Fuse Replacement

If the fuse blows, the light will turn **ON** but the motor will not start. You can verify if the fuse has blown or not by holding it up to the light and inspecting the element inside the glass (the element looks like a thin wire). If the fuse is blown the element will be broken in half.

To replace the fuse:

1. DISCONNECT MACHINE FROM POWER!
2. Remove the switch cover, slide the circuit board partially out, remove the fuse (**Figure 35**), and install a new one.

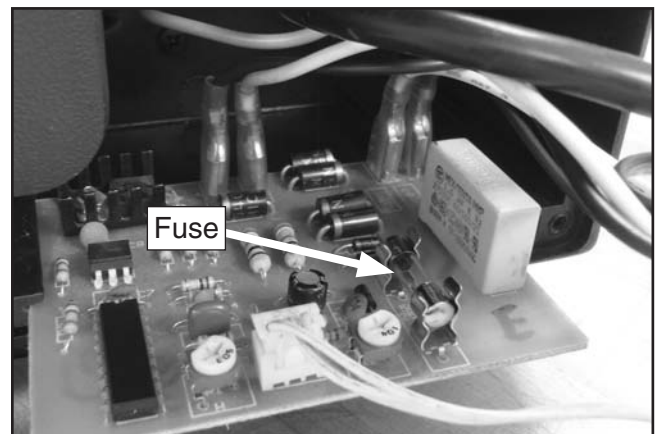


Figure 35. Location of fuse on circuit board.

3. Re-install the circuit board and the cover.



Motor Brushes

The motor brushes wear with use. When they require replacement, the motor will stop operating correctly, fail to start, or cut in and out during operation.

Tools Needed	Qty
Flat Head Screwdriver.....	1

To inspect/replace the motor brushes:

1. DISCONNECT MACHINE FROM POWER!
2. Remove the top motor brush cap and motor brush, as shown in **Figure 36**, then install a new brush and replace the cap.

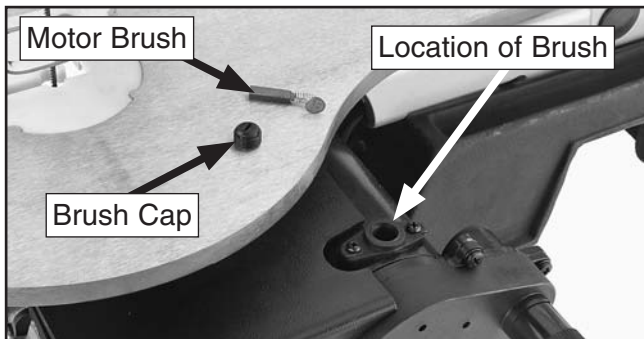


Figure 36. Top motor brush cap.

3. Turn the machine on its side.
4. Remove the lower brush cap and motor brush, accessing them through a hole in the bottom of the base (see **Figure 37**).

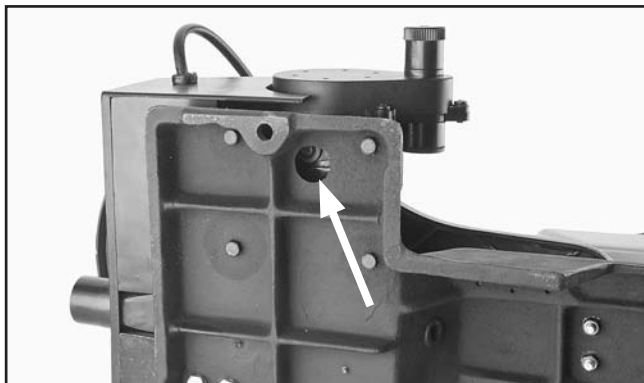


Figure 37. Lower motor brush location.

5. Replace the brush assembly and secure with the brush cap.

Replacing Timing Belt

If you hear unusual sounds coming from the motor or notice that the flex-shaft rotary tool stops working, the timing belt may be broken. If this happens, it must be replaced before further operation to avoid damaging the motor pulley.

To replace the timing belt:

1. DISCONNECT MACHINE FROM POWER!
2. Remove the flex-shaft rotary tool, if installed.
3. Remove the three screws that secure the belt cover shown in **Figure 38**, then remove the cover.

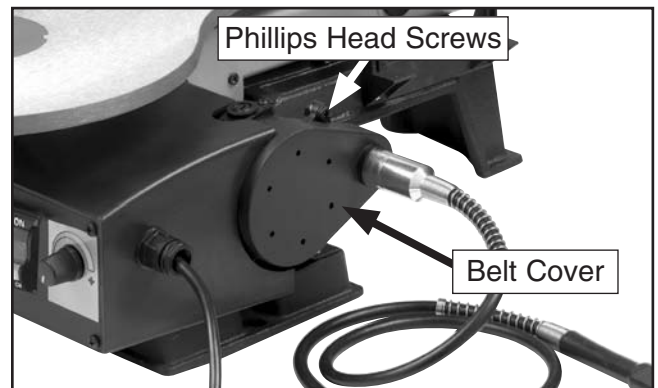


Figure 38. Location of timing belt cover screws.

4. Remove the E-clip and flat washer from the shaft shown in **Figure 39**, remove the timing belt from the pulleys, then slide a new timing belt onto the pulleys.

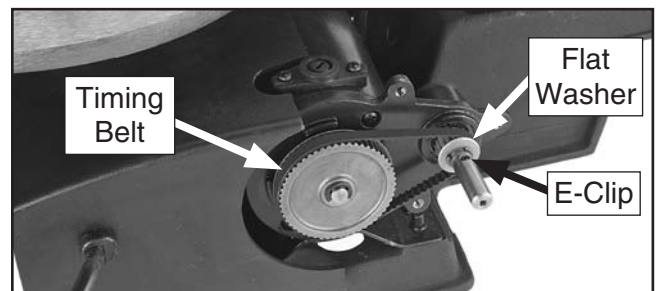
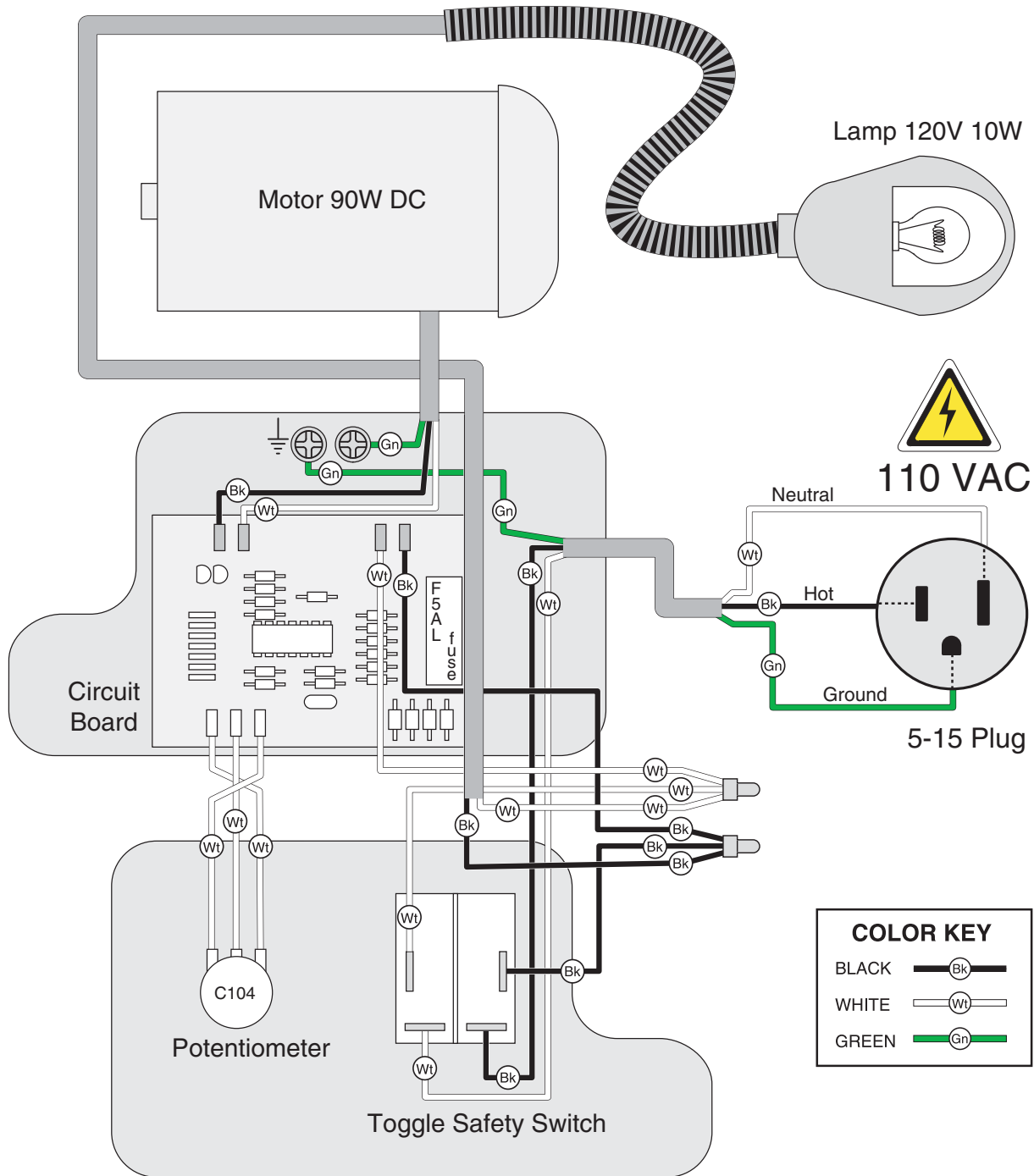


Figure 39. Timing belt and pulleys.

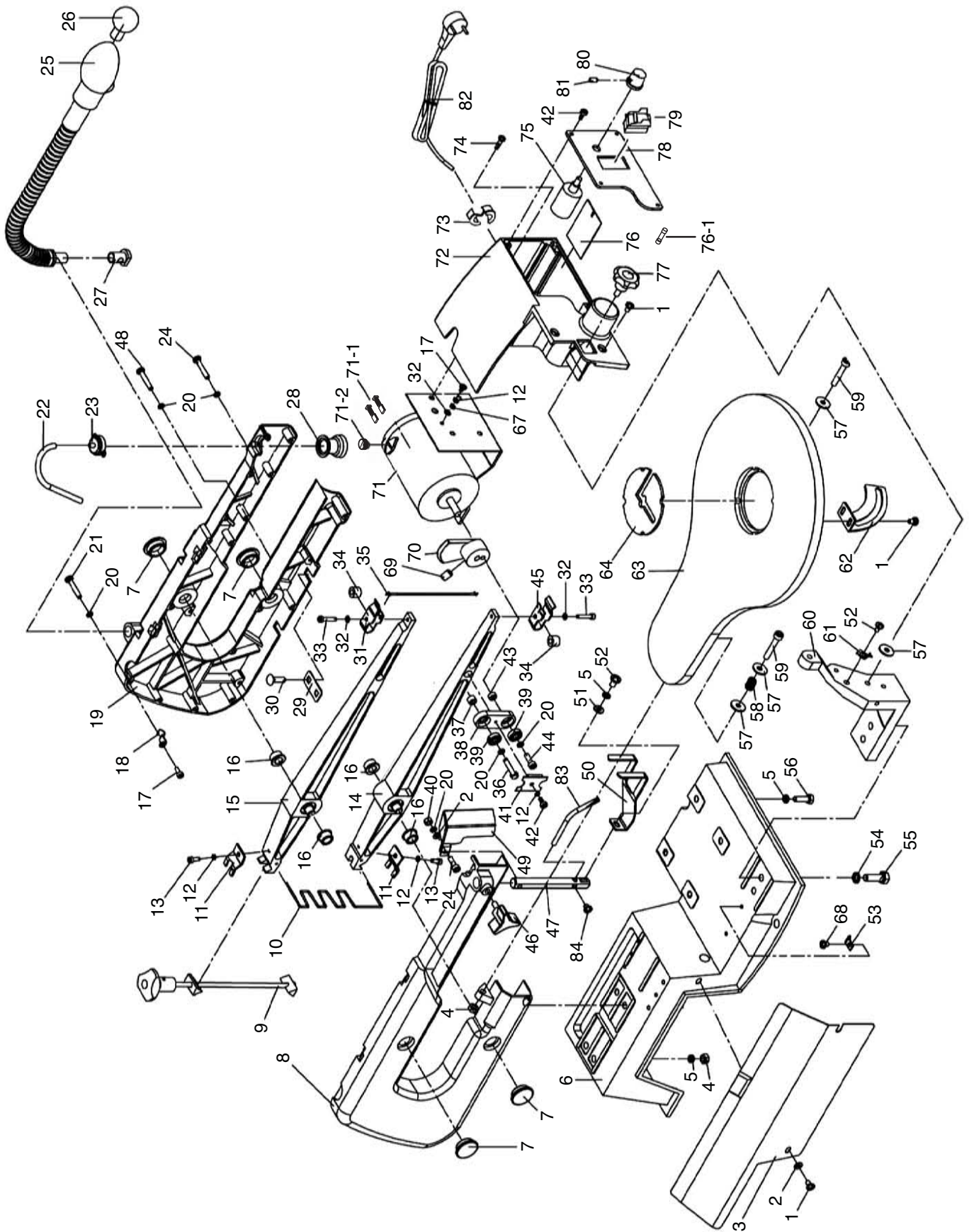
5. Re-install the belt cover with the screws removed in **Step 1**, then re-install the flex-shaft rotary tool.



G0734/G0735 Wiring Diagram



G0734 Main Breakdown



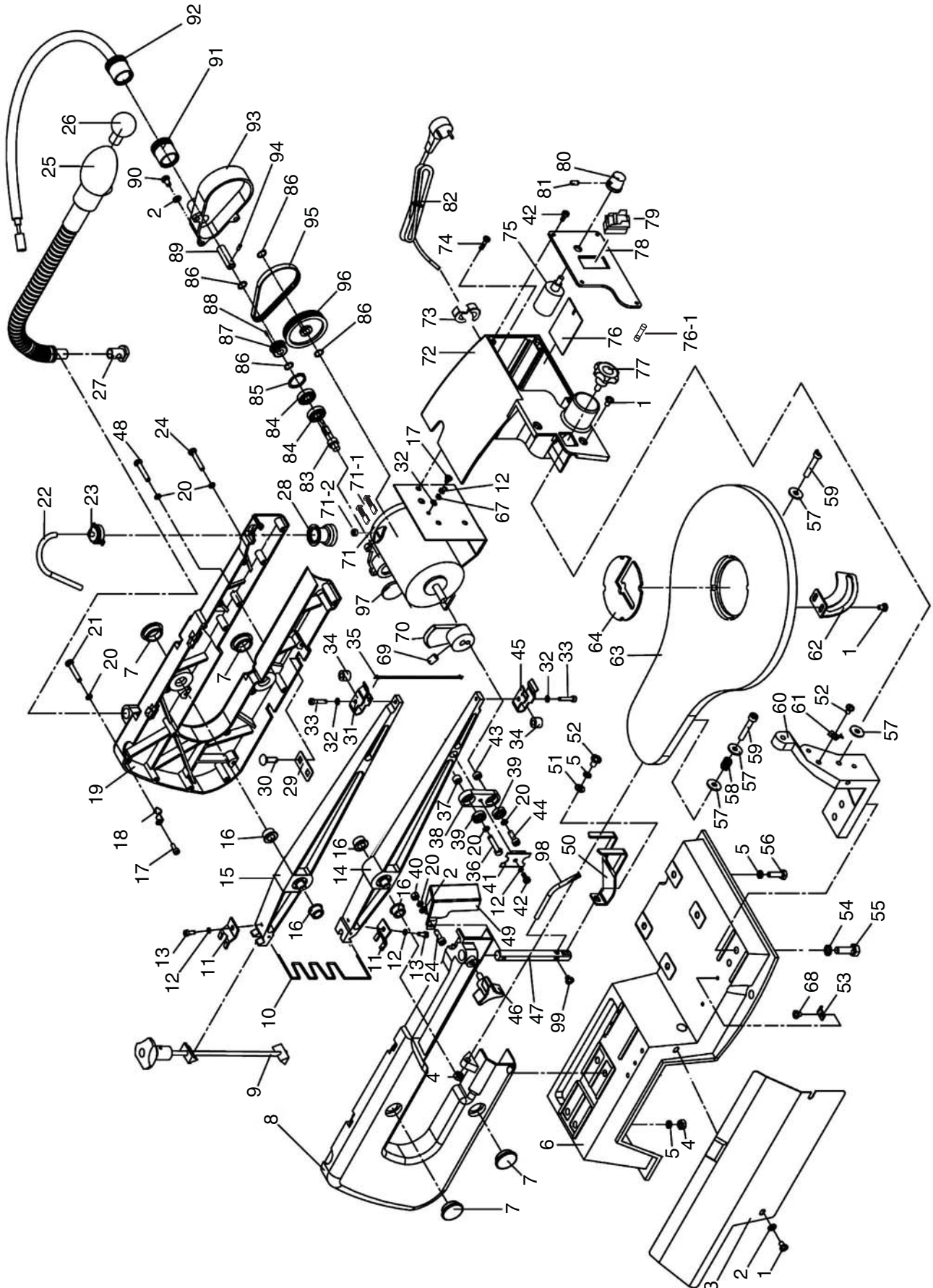
G0734 Main Parts List

REF	PART #	DESCRIPTION
1	PS05M	PHLP HD SCR M5-.8 X 8
2	PW02M	FLAT WASHER 5MM
3	P0734003	SIDE COVER
4	PN01M	HEX NUT M6-1
5	PLW03M	LOCK WASHER 6MM
6	P0734006	BASE
7	P0734007	DUST CAP
8	P0734008	LEFT ARM HOUSING
9	P0734009	TENSION BOLT ASSY
10	P0734010	ARM SPRING
11	P0734011	PRESSURE PLATE
12	PLW02M	LOCK WASHER 4MM
13	PS38M	PHLP HD SCR M4-.7 X 10
14	P0734014	LOWER ARM
15	P0734015	UPPER ARM
16	P0734016	OIL SLEEVE BEARING
17	PS17M	PHLP HD SCR M4-.7 X 6
18	P0734018	WIRE CLIP
19	P0734019	RIGHT ARM HOUSING
20	PLW01M	LOCK WASHER 5MM
21	PS75M	PHLP HD SCR M5-.8 X 35
22	P0734022	AIR HOSE 6 X 165MM CLEAR
23	P0734023	BELLOWS CAP
24	PS22M	PHLP HD SCR M5-.8 X 25
25	P0734025	LAMP 120V 10W
26	P0734026	BULB 120V 10W BA15S INC
27	P0734027	LAMP MOUNTING POST
28	P0734028	BELLOWS
29	P0734029	MOUNTING PLATE
30	PCB13M	CARRIAGE BOLT M6-1 X 20
31	P0734031	UPPER BLADE SUPPORT
32	PTLW01M	EXT TOOTH WASHER 4MM
33	PCAP39M	CAP SCREW M4-.7 X 20
34	P0734034	SUPPORT SPACER
35	P0734035	BLADE
36	PCAP38M	CAP SCREW M5-.8 X 25
37	P0734037	BIG SPACER
38	P0734038	ECCENTRIC CONNECTOR
39	G3848	BALL BEARING 625ZZ
40	PN06M	HEX NUT M5-.8
41	P0734041	ECCENTRIC CONNECTOR PLATE
42	PHTEK15M	TAP SCREW M4 X 10
43	P0734043	SMALL SPACER

REF	PART #	DESCRIPTION
44	PCAP24M	CAP SCREW M5-.8 X 16
45	P0734045	LOWER BLADE SUPPORT
46	P0734046	STAR KNOB M6-1 X 12 6PT
47	P0734047	DROP FOOT GUIDE POST
48	PS60M	PHLP HD SCR M5-.8 X 30
49	P0734049	BLADE GUARD
50	P0734050	DROP FOOT
51	PW03M	FLAT WASHER 6MM
52	PS68M	PHLP HD SCR M6-1 X 10
53	P0734053	CORD CLAMP PLATE
54	PLW04M	LOCK WASHER 8MM
55	PCAP31M	CAP SCREW M8-1.25 X 25
56	PB08M	HEX BOLT M6-1 X 20
57	P0734057	D-SHAPED FLAT WASHER 6MM
58	P0734058	COMPRESSION SPRING
59	PCAP48M	CAP SCREW M6-1 X 35
60	P0734060	TABLE MOUNTING BRACKET
61	P0734061	POINTER
62	P0734062	SCALE
63	P0734063	TABLE
64	P0734064	TABLE INSERT
67	PW05M	FLAT WASHER 4MM
68	PS07M	PHLP HD SCR M4-.7 X 8
69	PSS14M	SET SCREW M8-1.25 X 12
70	P0734070	ECCENTRIC COUNTERWEIGHT
71	P0734071	MOTOR DC 90W
71-1	P0734071-1	MOTOR CARBON BRUSHES 2-PC
71-2	P0734071-2	MOTOR BRUSH CAP
72	P0734072	FRONT HOUSING
73	P0734073	STRAIN RELIEF 8MM SNAP-IN
74	PS38M	PHLP HD SCR M4-.7 X 10
75	P0734075	POTENTIOMETER C104
76	P0734076	CIRCUIT BOARD
76-1	P0734076-1	FUSE F5A250V GLASS
77	P0734077	STAR KNOB M6-1 X 14 3PT
78	P0734078	SWITCH COVER
79	G8989	TOGGLE SAFETY SWITCH
80	P0734080	VARIABLE SPEED KNOB
81	PCAP97M	CAP SCREW M5-.8 X 6
82	P0734082	POWER CORD 18/3-AWG SJT 5-15
83	P0734083	AIR NOZZLE
84	PS19M	PHLP HD SCR M5-.8 X 6



G0735 Main Breakdown

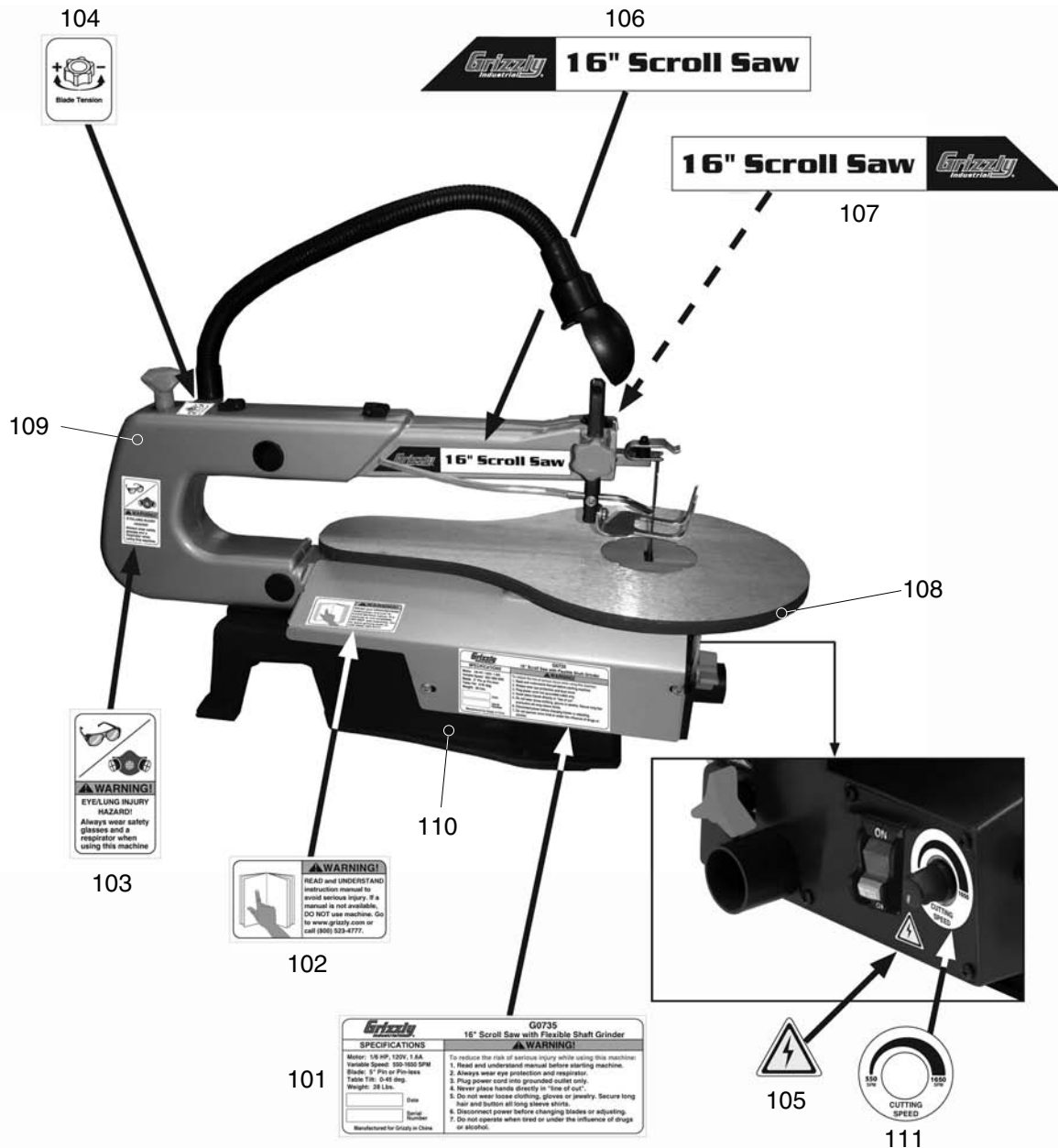


G0735 Main Parts List

REF	PART #	DESCRIPTION
1	PS05M	PHLP HD SCR M5-.8 X 8
2	PW02M	FLAT WASHER 5MM
3	P0734003	SIDE COVER
4	PN01M	HEX NUT M6-1
5	PLW03M	LOCK WASHER 6MM
6	P0734006	BASE
7	P0734007	DUST CAP
8	P0734008	LEFT ARM HOUSING
9	P0734009	TENSION BOLT ASSY
10	P0734010	ARM SPRING
11	P0734011	PRESSURE PLATE
12	PLW02M	LOCK WASHER 4MM
13	PS38M	PHLP HD SCR M4-.7 X 10
14	P0734014	LOWER ARM
15	P0734015	UPPER ARM
16	P0734016	OIL SLEEVE BEARING
17	PS17M	PHLP HD SCR M4-.7 X 6
18	P0734018	WIRE CLIP
19	P0734019	RIGHT ARM HOUSING
20	PLW01M	LOCK WASHER 5MM
21	PS75M	PHLP HD SCR M5-.8 X 35
22	P0734022	AIR HOSE 6 X 165MM CLEAR
23	P0734023	BELLOWS CAP
24	PS22M	PHLP HD SCR M5-.8 X 25
25	P0734025	LAMP 120V 10W
26	P0734026	BULB 120V 10W BA15S INC
27	P0734027	LAMP MOUNTING POST
28	P0734028	BELLOWS
29	P0734029	MOUNTING PLATE
30	PCB13M	CARRIAGE BOLT M6-1 X 20
31	P0734031	UPPER BLADE SUPPORT
32	PTLW01M	EXT TOOTH WASHER 4MM
33	PCAP39M	CAP SCREW M4-.7 X 20
34	P0734034	SUPPORT SPACER
35	P0734035	BLADE
36	PCAP38M	CAP SCREW M5-.8 X 25
37	P0734037	BIG SPACER
38	P0734038	ECCENTRIC CONNECTOR
39	G3848	BALL BEARING 625ZZ
40	PN06M	HEX NUT M5-.8
41	P0734041	ECCENTRIC CONNECTOR PLATE
42	PHTEK15M	TAP SCREW M4 X 10
43	P0734043	SMALL SPACER
44	PCAP24M	CAP SCREW M5-.8 X 16
45	P0734045	LOWER BLADE SUPPORT
46	P0734046	STAR KNOB M6-1 X 12 6PT
47	P0734047	DROP FOOT GUIDE POST
48	PS60M	PHLP HD SCR M5-.8 X 30
49	P0734049	BLADE GUARD
50	P0734050	DROP FOOT

REF	PART #	DESCRIPTION
51	PW03M	FLAT WASHER 6MM
52	PS68M	PHLP HD SCR M6-1 X 10
53	P0734053	CORD CLAMP PLATE
54	PLW04M	LOCK WASHER 8MM
55	PCAP31M	CAP SCREW M8-1.25 X 25
56	PB08M	HEX BOLT M6-1 X 20
57	P0734057	D-SHAPED FLAT WASHER 6MM
58	P0734058	COMPRESSION SPRING
59	PCAP48M	CAP SCREW M6-1 X 35
60	P0734060	TABLE MOUNTING BRACKET
61	P0734061	POINTER
62	P0734062	SCALE
63	P0734063	TABLE
64	P0734064	TABLE INSERT
67	PW05M	FLAT WASHER 4MM
68	PS07M	PHLP HD SCR M4-.7 X 8
69	PSS14M	SET SCREW M8-1.25 X 12
70	P0734070	ECCENTRIC COUNTERWEIGHT
71	P0735071	MOTOR DC W/ROTARY DRIVE
71-1	P0734071-1	MOTOR CARBON BRUSHES 2-PC
71-2	P0734071-2	MOTOR BRUSH CAP
72	P0734072	FRONT HOUSING
73	P0734073	STRAIN RELIEF 8MM SNAP-IN
74	PS38M	PHLP HD SCR M4-.7 X 10
75	P0734075	POTENTIOMETER C104
76	P0734076	CIRCUIT BOARD
76-1	P0734076-1	FUSE F5A250V GLASS
77	P0734077	STAR KNOB M6-1 X 14 3PT
78	P0734078	SWITCH COVER
79	G8989	TOGGLE SAFETY SWITCH
80	P0734080	VARIABLE SPEED KNOB
81	PCAP97M	CAP SCREW M5-.8 X 6
82	P0734082	POWER CORD 18/3-AWG SJT 5-15
83	P0735083	SHAFT
84	P608Z	BALL BEARING 608Z
85	PR10M	EXT RETAINING RING 22MM
86	PEC015M	E-CLIP 8MM
87	P0735087	SMALL PULLEY
88	P0735088	SOLID PIN 3 X 8
89	P0735089	COUPLING
90	PS08M	PHLP HD SCR M5-.8 X 12
91	P0735091	SHAFT GUARD
92	P0735092	FLEXIBLE SHAFT
93	P0735093	PULLEY COVER
94	PRP15M	ROLL PIN 3 X 8
95	P0735095	TIMING BELT 74XXL 4.3MM
96	P0735096	LARGE PULLEY
97	P0735097	DUST COVER
98	P0734083	AIR NOZZLE
99	PS19M	PHLP HD SCR M5-.8 X 6

Label Placement



REF	PART #	DESCRIPTION
101	P0734101	MACHINE ID LABEL (G0734)
101	P0735101	MACHINE ID LABEL (G0735)
102	PLABEL-12D	READ MANUAL LABEL
103	PLABEL-57A	GLASSES RESPIRATOR LABEL
104	P0734104	TENSION KNOB ADJ LABEL
105	PLABEL-14A	ELECTRICITY LABEL

REF	PART #	DESCRIPTION
106	P0734106	LEFT DECORATIVE LABEL
107	P0734107	RIGHT DECORATIVE LABEL
108	PPAINT-1	GRIZZLY GREEN TOUCH-UP PAINT
109	P0734109	GRAY TOUCH-UP PAINT
110	P0734110	BLACK TOUCH-UP PAINT
111	P0734111	VARIABLE SPEED LABEL

⚠️ WARNING

Safety labels help reduce the risk of serious injury caused by machine hazards. If any label comes off or becomes unreadable, the owner of this machine **MUST** replace it in the original location before resuming operations. For replacements, contact (800) 523-4777 or www.grizzly.com.



WARRANTY CARD

Name _____
 Street _____
 City _____ State _____ Zip _____
 Phone # _____ Email _____ Invoice # _____
 Model # _____ Order # _____ Serial # _____

The following information is given on a voluntary basis. It will be used for marketing purposes to help us develop better products and services. **Of course, all information is strictly confidential.**

1. How did you learn about us?

Advertisement Friend Catalog
 Card Deck Website Other:

2. Which of the following magazines do you subscribe to?

<input type="checkbox"/> Cabinetmaker & FDM	<input type="checkbox"/> Popular Science	<input type="checkbox"/> Wooden Boat
<input type="checkbox"/> Family Handyman	<input type="checkbox"/> Popular Woodworking	<input type="checkbox"/> Woodshop News
<input type="checkbox"/> Hand Loader	<input type="checkbox"/> Precision Shooter	<input type="checkbox"/> Woodsmith
<input type="checkbox"/> Handy	<input type="checkbox"/> Projects in Metal	<input type="checkbox"/> Woodwork
<input type="checkbox"/> Home Shop Machinist	<input type="checkbox"/> RC Modeler	<input type="checkbox"/> Woodworker West
<input type="checkbox"/> Journal of Light Cont.	<input type="checkbox"/> Rifle	<input type="checkbox"/> Woodworker's Journal
<input type="checkbox"/> Live Steam	<input type="checkbox"/> Shop Notes	<input type="checkbox"/> Other:
<input type="checkbox"/> Model Airplane News	<input type="checkbox"/> Shotgun News	
<input type="checkbox"/> Old House Journal	<input type="checkbox"/> Today's Homeowner	
<input type="checkbox"/> Popular Mechanics	<input type="checkbox"/> Wood	

3. What is your annual household income?

\$20,000-\$29,000 \$30,000-\$39,000 \$40,000-\$49,000
 \$50,000-\$59,000 \$60,000-\$69,000 \$70,000+

4. What is your age group?

20-29 30-39 40-49
 50-59 60-69 70+

5. How long have you been a woodworker/metalworker?

0-2 Years 2-8 Years 8-20 Years 20+ Years

6. How many of your machines or tools are Grizzly?

0-2 3-5 6-9 10+

7. Do you think your machine represents a good value? Yes No

8. Would you recommend Grizzly Industrial to a friend? Yes No

9. Would you allow us to use your name as a reference for Grizzly customers in your area?

Note: We never use names more than 3 times. Yes No

10. Comments: _____

CUT ALONG DOTTED LINE

FOLD ALONG DOTTED LINE



Place
Stamp
Here



GRIZZLY INDUSTRIAL, INC.
P.O. BOX 2069
BELLINGHAM, WA 98227-2069



FOLD ALONG DOTTED LINE

Send a Grizzly Catalog to a friend:

Name _____
Street _____
City _____ State _____ Zip _____

TAPE ALONG EDGES--PLEASE DO NOT STAPLE

WARRANTY & RETURNS

Grizzly Industrial, Inc. warrants every product it sells for a period of **1 year** to the original purchaser from the date of purchase. This warranty does not apply to defects due directly or indirectly to misuse, abuse, negligence, accidents, repairs or alterations or lack of maintenance. This is Grizzly's sole written warranty and any and all warranties that may be implied by law, including any merchantability or fitness, for any particular purpose, are hereby limited to the duration of this written warranty. We do not warrant or represent that the merchandise complies with the provisions of any law or acts unless the manufacturer so warrants. In no event shall Grizzly's liability under this warranty exceed the purchase price paid for the product and any legal actions brought against Grizzly shall be tried in the State of Washington, County of Whatcom.

We shall in no event be liable for death, injuries to persons or property or for incidental, contingent, special, or consequential damages arising from the use of our products.

To take advantage of this warranty, contact us by mail or phone and give us all the details. We will then issue you a "Return Number," which must be clearly posted on the outside as well as the inside of the carton. We will not accept any item back without this number. Proof of purchase must accompany the merchandise.

The manufacturers reserve the right to change specifications at any time because they constantly strive to achieve better quality equipment. We make every effort to ensure that our products meet high quality and durability standards and we hope you never need to use this warranty.

Please feel free to write or call us if you have any questions about the machine or the manual.

Thank you again for your business and continued support. We hope to serve you again soon.

grizzly.com[®]

TOOL WEBSITE

Buy Direct and Save with Grizzly[®] – Trusted, Proven and a Great Value!
~Since 1983~

*Visit Our Website Today For
Current Specials!*

**ORDER
24 HOURS A DAY!
1-800-523-4777**



Free Manuals Download Website

<http://myh66.com>

<http://usermanuals.us>

<http://www.somanuals.com>

<http://www.4manuals.cc>

<http://www.manual-lib.com>

<http://www.404manual.com>

<http://www.luxmanual.com>

<http://aubethermostatmanual.com>

Golf course search by state

<http://golfingnear.com>

Email search by domain

<http://emailbydomain.com>

Auto manuals search

<http://auto.somanuals.com>

TV manuals search

<http://tv.somanuals.com>