

# *Grizzly* **Industrial, Inc.**®

## **14.4V CORDLESS JIG SAW MODEL H0601 INSTRUCTION MANUAL**



Copyright © 2000 By Grizzly Industrial, Inc.

1821 VALENCIA ST., BELLINGHAM, WA 98227

**WARNING: NO PORTION OF THIS MANUAL MAY BE REPRODUCED IN ANY SHAPE OR FORM  
WITHOUT THE WRITTEN APPROVAL OF GRIZZLY INDUSTRIAL, INC.**

PRINTED IN CHINA



# **WARNING!**

**Some dust created by power sanding, sawing, grinding, drilling, and other construction activities contains chemicals known to the State of California to cause cancer, birth defects or other reproductive harm. Some examples of these chemical are:**

- **Lead from lead-based paints.**
- **Crystalline silica from bricks, cement and other masonry products.**
- **Arsenic and chromium from chemically-treated lumber.**

**Your risk from these exposures varies, depending on how often you do this type of work. To reduce your exposure to these chemicals: Work in a well ventilated area, and work with approved safety equipment, such as those dust masks that are specially designed to filter out microscopic particles.**

# SAFETY

## **WARNING**

### **For Your Own Safety Read Instruction Manual Before Operating This Equipment**

The purpose of safety symbols is to attract your attention to possible hazardous conditions. This manual uses a series of symbols and signal words which are intended to convey the level of importance of the safety messages. The progression of symbols is described below. Remember that safety messages by themselves do not eliminate danger and are not a substitute for proper accident prevention measures.



Indicates an imminently hazardous situation which, if not avoided, **WILL** result in death or serious injury.



Indicates a potentially hazardous situation which, if not avoided, **COULD** result in death or serious injury.



Indicates a potentially hazardous situation which, if not avoided, **MAY** result in minor or moderate injury. It may also be used to alert against unsafe practices.

## **NOTICE**

This symbol is used to alert the user to useful information about proper operation of the equipment.

## **WARNING**

### **Safety Instructions For Power Tools**

- KEEP ALL SAFETY DEVICES IN PLACE** and in working order.
- REMOVE ADJUSTING KEYS AND WRENCHES.** Form habit of checking to see that keys and adjusting wrenches are removed from tool before turning on.
- KEEP WORK AREA CLEAN.** Cluttered areas and benches invite accidents.
- DON'T USE IN DANGEROUS ENVIRONMENT.** Don't use power tools in damp or wet locations, or where any flammable or noxious fumes may exist. Keep work area well lighted.
- KEEP CHILDREN AND VISITORS AWAY.** All children and visitors should be kept a safe distance from work area.
- MAKE WORK SHOP CHILD PROOF** with padlocks, master switches, or by removing starter keys.
- DON'T FORCE TOOL.** It will do the job better and safer at the rate for which it was designed.
- USE RIGHT TOOL.** Don't force tool or attachment to do a job for which it was not designed.

# WARNING

## Safety Instructions For Power Tools

- 9. USE PROPER EXTENSION CORD** for the charger. Make sure your extension cord is in good condition. Conductor size should be in accordance with the chart below. The amperage rating should be listed on the motor or tool nameplate. An undersized cord will cause a drop in line voltage resulting in loss of power and overheating. Your extension cord must also contain a ground wire and plug pin. Always repair or replace extension cords if they become damaged.

Minimum Gauge for Extension Cords

AMP RATING	LENGTH		
	25ft	50ft	100ft
0-6	18	16	16
7-10	18	16	14
11-12	16	16	14
13-16	14	12	12
17-20	12	12	10
21-30	10	10	No

- 10. WEAR PROPER APPAREL.** Do not wear loose clothing, gloves, neckties, rings, bracelets, or other jewelry which may get caught in moving parts. Non-slip footwear is recommended. Wear protective hair covering to contain long hair.
- 11. ALWAYS USE SAFETY GLASSES.** Also use face or dust mask if cutting operation is dusty. Everyday eyeglasses only have impact resistant lenses, they are NOT safety glasses.
- 12. SECURE WORK.** Use clamps or a vise to hold work when practical. It's safer than using your hand and frees both hands to operate tool.
- 13. DON'T OVERREACH.** Keep proper footing and balance at all times.
- 14. MAINTAIN TOOLS WITH CARE.** Keep tools sharp and clean for best and safest performance. Follow instructions for lubricating and changing accessories.
- 15. DISCONNECT TOOLS** before servicing and changing accessories, such as blades, bits, cutters, and the like.
- 16. REDUCE THE RISK OF UNINTENTIONAL STARTING.** Make sure switch is in off position before plugging in.
- 17. USE RECOMMENDED ACCESSORIES.** Consult the owner's manual for recommended accessories. The use of improper accessories may cause risk of injury.
- 18. CHECK DAMAGED PARTS.** Before further use of the tool, a guard or other part that is damaged should be carefully checked to determine that it will operate properly and perform its intended function. Check for alignment of moving parts, binding of moving parts, breakage of parts, mounting, and any other conditions that may affect its operation. A guard or other part that is damaged should be properly repaired or replaced.
- 19. NEVER LEAVE TOOL RUNNING UNATTENDED. TURN POWER OFF.** Don't leave tool until it comes to a complete stop.

# CHARGING SAFETY

## WARNING

1. **READ ALL INSTRUCTIONS** and warnings on the battery and charger before charging the battery.
2. **CHARGE ONLY USING THE SUPPLIED CHARGER AND BATTERY.** Do not use with other batteries, chargers or cordless equipment.
3. **DO NOT EXPOSE BATTERY OR CHARGER TO WET OR RAINY CONDITIONS.** Moisture greatly increases the risk of a shock hazard.
4. **DO NOT TOUCH BATTERY POLES** with any conductive materials. Touching any two poles at the same time causes a short condition and can cause sparks, electrical shock or fire.
5. **DO NOT STORE BATTERY WITH CONDUCTIVE MATERIALS.** Storing the battery in a box of screws or nails can cause shorting across the battery poles.
6. **DO NOT THROW BATTERY IN FIRE.** Combustion of some of the batteries' component materials can cause toxic fumes and possible explosion.
7. **IF CHARGER LIGHT FAILS TO COME ON** check the incoming power supply. If power source is okay, then the fuse inside the charger needs replacement. Charger should be serviced by a qualified electrical technician only.
8. **DO NOT ATTEMPT TO MODIFY THE CHARGER PLUG.** Modifying the plug will result in a safety hazard and will void the warranty.
9. **CHARGER IS DESIGNED TO OPERATE AT 110-120 VOLTS.** Never try to plug into any circuit that is not 110-120 volts. Never modify or change the plug that is attached to the charger unit to attempt to plug into 220 volt. This can cause serious electrical damage to the unit, possible fire or explosion.

## CAUTION

Never leave a battery unattended while charging. While charging will make the battery and charging unit warm, if it becomes hot to the touch, disconnect the charger immediately. There is a possibility of fire hazard. Have the battery and charging unit checked by a qualified electrical service technician.



Ni-Cd

**BATTERY MUST BE RECYCLED OR DISPOSED OF PROPERLY.** Consult your local Yellow Pages directory under the category "Recycling" to locate a battery recycler in your area.

# INTRODUCTION

## Commentary

We are proud to offer the Grizzly Model H0601 Cordless Jig Saw. The Model H0601 is part of a growing Grizzly family of fine power tools. When used according to the guidelines set forth in this manual, you can expect years of trouble-free, enjoyable operation and proof of Grizzly's commitment to customer satisfaction.

The Model H0601 14.4V Cordless Jig Saw contains a powerful motor that delivers a speed of 2900 SPM. The saw has four settings for blade orbit for cutting into different materials, and a footplate that can be angled for bevel cuts.

We are pleased to provide this manual with the Model H0601. It was written to encourage safety considerations and guide you through general operating procedures and maintenance. It represents our effort to produce the best documentation possible.

The specifications, details, and photographs in this manual represent the Model H0601 as supplied when the manual was prepared. However, owing to Grizzly's policy of continuous improvement, changes may be made at any time with no obligation on the part of Grizzly. If you have any comments regarding this manual, please write to us at the address below:

Grizzly Industrial, Inc.  
% Technical Documentation  
P.O. Box 2069  
Bellingham, WA 98227-2069

Most importantly, we stand behind our tools. If you have any service questions or parts requests, please call or write us at the location listed below.

Grizzly Industrial, Inc.  
2406 Reach Road  
Williamsport, PA 17701  
Phone: (570) 546-9663  
Fax: (800) 438-5901

E-Mail: [techsupport@grizzly.com](mailto:techsupport@grizzly.com)  
Web Site: <http://www.grizzly.com>

## CAUTION

To operate this, or any power tool, safely and efficiently, it is essential to become as familiar with its characteristics as possible. The time you invest before you begin to use your Model H0601 will be time well spent. **DO NOT** operate this machine until you are completely familiar with the contents of this manual. Make sure you read and understand all of the safety procedures. If you do not understand something, **DO NOT** operate the machine.

## WARNING

Operating this equipment has the potential to propel debris into the air which can cause eye injury. Always wear safety glasses or goggles when operating equipment. Be certain the safety glasses you wear meet the appropriate standards of the American National Standards Institute (ANSI).

# BEFORE YOU START

The battery in your new cordless power tool will not be fully charged when you receive it. Follow the instructions below to charge your battery.

## Battery charging with the standard charger :

1. Plug the power cord for the charger into the 110/120V outlet.
2. Insert the battery into the charger. The battery fits into the oval recess in only one way. Do not force the battery. Insert until it locks into place.
3. The red LED light on the charging unit will come on when the battery begins its charging cycle.
4. Charge battery for 3-5 hours for a full charge from a fully depleted condition. The red LED will not go off until the battery is removed from the charger base.

## Control Location

Refer to **Figure 1** for the location of the key components and controls of the machine. These controls are called out later in the manual for their specific use when operating the saw. Become familiar with the controls and all of the adjustments and settings before operating the Jig Saw.

## Specifications

Speed: 2900 SPM  
Motor Type: Universal Brush Motor  
Motor Power: 14.4V  
Blade Orbit: 4 Settings  
Stroke Length: 1"  
Blade: Universal Style Mounting, 3" - 5"  
Blade Guide: Grooved Roller Bearing  
Footplate: Adjustable from +45° to -45°

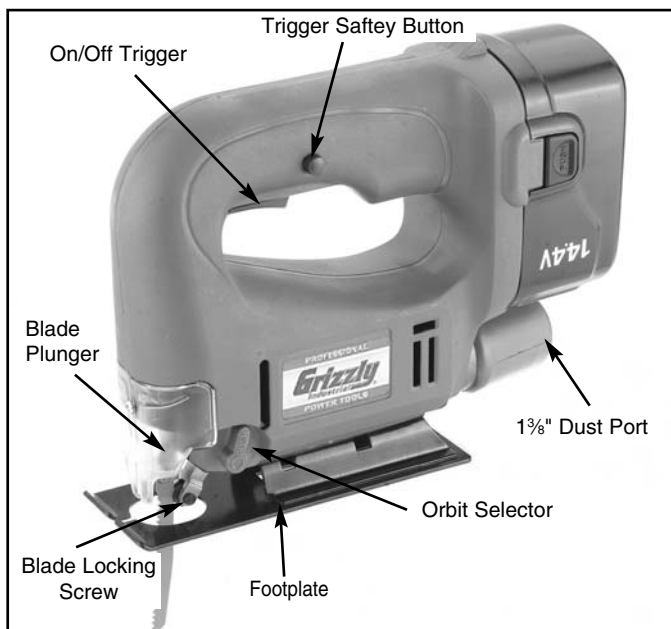


Fig 1. Location of controls.

# BLADE SELECTION

Always select the correct saw blade for the material being cut. The resulting cut will be cleaner and more accurate, and there will be less stress on the machine. This Jig Saw can be used to cut wood, metal or plastics depending upon the type of blade selected. The blades used must be of the universal style mount. Grizzly offers a variety of blade styles in the current catalog.

A few points to remember in making your blade selection:

1. The overall blade length will affect the thickness of material which can be cut. Most jig saw blades range in length from 3" to 5".
2. The width of the blade (measured from the tip of one of the teeth to the back edge) affects how tight of a curve can be cut. A 3/16" wide blade will cut a tighter circle than a 3/8" wide one.

3. The number of teeth per inch (T.P.I.) affects the smoothness and speed of the cut. A wood cutting blade for general purpose will usually have 6-10 T.P.I., a metal cutting will have 12-20 T.P.I. Another factor is the tooth style and how the teeth are set (the amount the tooth is bent away from the plane of the blade). Most blade manufacturer's provide guidelines on their packaging for the types of materials and speeds to use for a particular blade style. Review their guidelines carefully before choosing a blade for a particular project.

**Figure 2** shows the range of blades for wood and metal cutting available from Grizzly.



Figure 2. Variety of wood and metal cutting blades.



# OPERATIONS

Turn the switch off and remove the battery from the Jig Saw before attempting blade installation or any adjustments. Serious injury may occur if the unit should be accidentally started while installing the blade.

## Changing Blades

Make sure the Orbit Selector switch is in Position III. Take the blade and turn it so the teeth are facing the side of the footplate, and insert the mount end into the plunger.

**See Figure 3.** Twist the blade 90° so the teeth are now pointing forward, then pull it down slightly. Make certain the blade is positioned in the groove of the roller which backs up the blade.

Insert the Allen® wrench included with this Jig Saw into the blade locking screw. Tighten the screw while making sure the blade stays in the roller groove. To remove the blade, reverse the process described above.

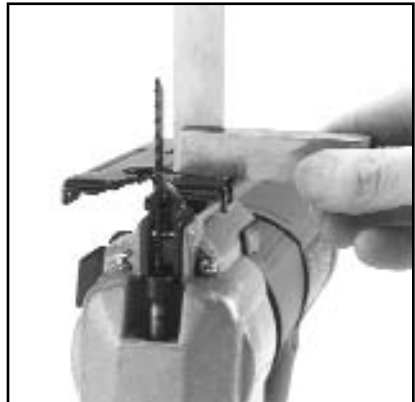


**Fig 3.** Inserting blade into plunger.

## Footplate Adjustment

The footplate can be adjusted for cutting at 90° to the surface as well as any angle from  $\pm 45^\circ$ . To be certain the footplate is cutting at precisely 90°, it is useful to check the blade squareness to the footplate with the use of a small machinist's square (**See Figure 4**).

To adjust to another angle, use the supplied Allen® Wrench to loosen the bolt holding the footplate. Slide the plate forward slightly to disengage it from the notch, and tilt it to the desired angle. At the 45° points there are notches which position the plate. By pushing the plate back when near 45°, the notches will lock the plate in position. If an angle between 90° and 45° is desired, set the angle and leave the plate in the forward position, and tighten the bolt.



**Fig 4.** Checking blade squareness.

# ORBITAL ACTION

There are four settings for orbital action of the blade, controlled by a lever switch. The effect of the settings is shown in **Figure 5** below. When set on Position III the blade oscillates forward in the stroke, which is helpful when cutting wood or soft materials. The Position 0 setting eliminates all forward oscillation and the blade strokes

straight up and down. This is good for materials with a strong cutting resistance such as metals and where a very clean cut edge is desired.

Changes in the orbital movement can be made with the motor turned on.

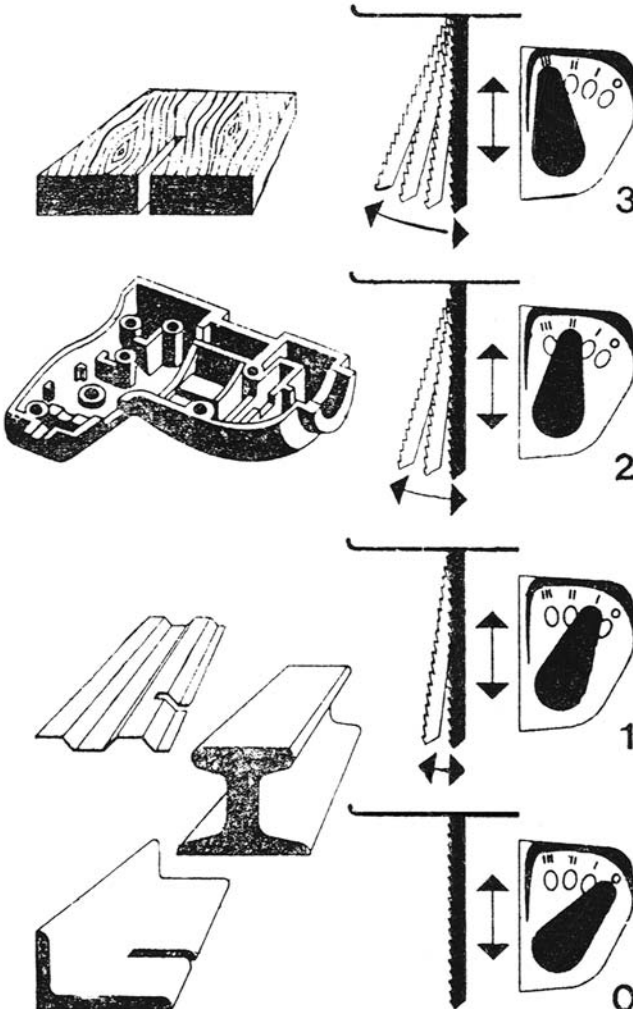


Fig 5. Orbital movement settings and typical materials for each selection.

# OPERATING TIPS AND MAINTENANCE

---

## Operating Guides and Tips

**Avoid overloading the jig saw.** Do not apply excessive pressure to the tool while using. If the speed drops abnormally, decrease pressure immediately.

**Ensure the safety of the workplace.**

Clear the work area of all parts and debris that may cause injury by flying objects. Securely fix the object to be worked on in a vise or otherwise clamp to avoid injury. Do not attempt to hold workpiece by hand.

**Inspect the tool before use.** Run the tool free of the workpiece before using to ensure all parts are running smoothly and there are no abnormal sounds or sparks. If any defect is found, have unit serviced.

**Know your work site.** Take care to make sure the material being worked on is not supporting another structure, or that there are no obstructions. Before cutting into walls, check for wires, other electrical hazards, gas lines or plumbing which may be hidden in the wall space.

## Maintenance

Your cordless power tool will give you hundreds of hours of operation time before ever needing service. The electrical components of this cordless saw are not user serviceable. Repair should always be undertaken by a qualified electrical repair technician.

Keep the saw free from dirt and grease. Always store it in a dry place, preferably in the case that is supplied.

The battery will require periodic recharging, and eventually replacement after it has exceeded its recharge life (approximately 800-1000 recharge cycles). You will notice extended charging times or shortened operation time as the battery experiences more cycles. **Battery must be recycled or disposed or properly.** Refer to the Grizzly catalog for replacement batteries.

### **WARNING**

Disassembly and improper reassembly of this device can result in electrical shock danger. Always have this device serviced by a qualified electrical repair technician. Serious injury will result.

# WARRANTY AND RETURNS

---

Grizzly Industrial, Inc. warrants every product it sells for a period of **1 year** to the original purchaser from the date of purchase. This warranty does not apply to defects due directly or indirectly to misuse, abuse, negligence, accidents, repairs or alterations or lack of maintenance. This is Grizzly's sole written warranty and any and all warranties that may be implied by law, including any merchantability or fitness, for any particular purpose, are hereby limited to the duration of this written warranty. We do not warrant or represent that the merchandise complies with the provisions of any law or acts unless the manufacturer so warrants. In no event shall Grizzly's liability under this warranty exceed the purchase price paid for the product and any legal actions brought against Grizzly shall be tried in the State of Washington, County of Whatcom.

We shall in no event be liable for death, injuries to persons or property or for incidental, contingent, special, or consequential damages arising from the use of our products.

To take advantage of this warranty, contact us by mail or phone and give us all the details. We will then issue you a "Return Number", which must be clearly posted on the outside as well as the inside of the carton. We will not accept any item back without this number. Proof of purchase must accompany the merchandise.

The manufacturers reserve the right to change specifications at any time because they constantly strive to achieve better quality equipment. We make every effort to ensure that our products meet high quality and durability standards and we hope you never need to use this warranty.

Please feel free to write or call us if you have any questions about the machine or the manual.

Grizzly Industrial, Inc.  
2406 Reach Road  
Williamsport, PA 17701  
Phone: (570) 546-9663  
Fax: (800) 438-5901

E-Mail:  
techsupport@grizzly.com

Web Site: <http://www.grizzly.com>

Thank you again for your business and continued support. We hope to serve you again soon.

# WARRANTY CARD

Name \_\_\_\_\_

Street \_\_\_\_\_

City \_\_\_\_\_ State \_\_\_\_\_ Zip \_\_\_\_\_

Phone Number \_\_\_\_\_ E-Mail \_\_\_\_\_ FAX \_\_\_\_\_

MODEL # H0601 14.4V Cordless Jig Saw Order# \_\_\_\_\_

The following information is given on a voluntary basis. It will be used for marketing purposes to help us develop better products and services. Of course, all information is strictly confidential.

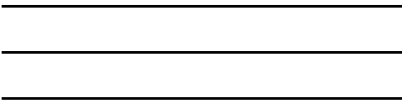
1. How did you learn about us?  
 Advertisement       Friend  
 Catalog               Card Deck  
 World Wide Web  
 Other \_\_\_\_\_
2. What is your annual household income?  
 \$20,000-\$29,999       \$60,000-\$69,999  
 \$30,000-\$39,999       \$70,000-\$79,999  
 \$40,000-\$49,999       \$80,000-\$89,999  
 \$50,000-\$59,999       \$90,000 +
3. What is your age group?  
 20-29                   50-59  
 30-39                   60-69  
 40-49                   70 +
4. How long have you been a woodworker?  
 0 - 2 Years             8 - 20 Years  
 2 - 8 Years             20+ Years
5. How would you rank your woodworking skills?  
 Simple                   Advanced  
 Intermediate           Master Craftsman
6. What stationary woodworking tools do you own?  
Check all that apply.  
 Air Compressor       Panel Saw  
 Band Saw               Planer  
 Drill Press             Power Feeder  
 Drum Sander          Radial Arm Saw  
 Dust Collector        Shaper  
 Spindle Sander       Jointer  
 Table Saw              Lathe  
 Mortiser               Wide Belt Sander  
 Horiz.Boring Machine  
 Vacuum Veneer Press  
 Other \_\_\_\_\_
7. How many of your woodworking machines are Grizzly? \_\_\_\_\_
8. Which benchtop tools do you own? Check all that apply.  
 1"x42" Belt Sander     6" - 8" Grinder  
 5" - 8" Drill Press     Mini Lathe  
 8" Table Saw           8" - 10" Bandsaw  
 Scroll Saw              Disc/Belt Sander  
 Spindle/Belt Sander    Mini Jointer  
 10"-12"Thickness Planer  
 Other \_\_\_\_\_
9. How many of the machines checked above are Grizzly? \_\_\_\_\_
10. Which portable/hand held power tools do you own?  
Check all that apply.  
 Belt Sander             Orbital Sander  
 Biscuit Joiner         Palm Sander  
 Circular Saw            Portable Planer  
 Detail Sander          Saber Saw  
 Drill/Driver            Reciprocating Saw  
 Miter Saw               Router  
 Other \_\_\_\_\_
11. What machines/supplies would you like Grizzly Industrial to carry?  
 12" Table Saw         Radial Arm Saw  
 12" Jointer            Panel Saw  
 Brass Hardware       Lumber  
 Paint & Finishing Supplies  
 Contractor's Supplies  
 Combination Planer/Jointer  
 Other \_\_\_\_\_
12. What new accessories would you like Grizzly Industrial to carry?  
 Builders Hardware     Hand Tools  
 Fasteners  
 Wood Components  
 Other \_\_\_\_\_
13. What other companies do you purchase your tools and supplies from?  
\_\_\_\_\_  
\_\_\_\_\_  
\_\_\_\_\_
14. Do you think your purchase represents good value?  
 Yes                       No
15. Would you recommend Grizzly to a friend?  
 Yes                       No
16. Would you allow us to use your name as a reference for Grizzly customers in your area? **Note: We never use names more than three times.**  
 Yes                       No
17. Comments: \_\_\_\_\_  
\_\_\_\_\_  
\_\_\_\_\_

Send a Grizzly Catalog to a friend:

Name_____
Street_____
City_____State_____Zip_____

FOLD ALONG DOTTED LINE

---



**GRIZZLY INDUSTRIAL, INC.**  
**P.O. BOX 2069**  
**BELLINGHAM, WA 98227-2069**

TAPE ALONG EDGES--PLEASE DO NOT STAPLE

## Free Manuals Download Website

<http://myh66.com>

<http://usermanuals.us>

<http://www.somanuals.com>

<http://www.4manuals.cc>

<http://www.manual-lib.com>

<http://www.404manual.com>

<http://www.luxmanual.com>

<http://aubethermostatmanual.com>

Golf course search by state

<http://golfingnear.com>

Email search by domain

<http://emailbydomain.com>

Auto manuals search

<http://auto.somanuals.com>

TV manuals search

<http://tv.somanuals.com>