

# *Grizzly* **Industrial, Inc.**®

## **TILE SAW MODEL H3118 INSTRUCTION MANUAL**



COPYRIGHT © JANUARY 2003 BY GRIZZLY INDUSTRIAL, INC  
**WARNING: NO PORTION OF THIS MANUAL MAY BE REPRODUCED IN ANY SHAPE  
OR FORM WITHOUT THE WRITTEN APPROVAL OF GRIZZLY INDUSTRIAL, INC.**  
PRINTED IN CHINA

#### **ONLINE MANUAL DISCLAIMER**

THE INFORMATION IN THIS MANUAL REPRESENTS THE CONFIGURATION OF THE MACHINE AS IT IS CURRENTLY BEING SHIPPED. THE MACHINE CONFIGURATION CAN CHANGE AS PRODUCT IMPROVEMENTS ARE INCORPORATED. IF YOU OWN AN EARLIER VERSION OF THE MACHINE, THIS MANUAL MAY NOT EXACTLY DEPICT YOUR MACHINE. CONTACT CUSTOMER SERVICE IF YOU HAVE ANY QUESTIONS ABOUT DIFFERENCES. PREVIOUS VERSIONS ARE NOT AVAILABLE ONLINE.

# WARNING

Some dust created by power sanding, sawing, grinding, drilling, and other construction activities contains chemicals known to the State of California to cause cancer, birth defects or other reproductive harm. Some examples of these chemicals are:

- Lead from lead-based paints.
- Crystalline silica from bricks, cement, and other masonry products.
- Arsenic and chromium from chemically treated lumber.

Your risk from these exposures varies, depending on how often you do this type of work. To reduce your exposure to these chemicals: work in a well ventilated area, and work with approved safety equipment, such as those dust masks that are specially designed to filter out microscopic particles.

# TABLE OF CONTENTS

	PAGE
<b>1. SAFETY</b> .....	<b>2</b>
Safety Instructions For Power Tools .....	2-3
Safety Instructions for Tile Saws.....	4
<b>2. INTRODUCTION</b> .....	<b>5</b>
Commentary .....	5
<b>3. CIRCUIT REQUIREMENTS</b> .....	<b>6</b>
110V .....	6
Grounding .....	7
Extension Cords .....	7
<b>4. SET UP</b> .....	<b>8</b>
Clean Up .....	8
Site Considerations .....	8
Main Features .....	9
Assembly .....	10
Start Up .....	11-12
Lubrication .....	12
<b>5. OPERATION</b> .....	<b>13</b>
Cut Preparation .....	13
Cutting .....	13
45° Miter Cutting .....	14
Bevel Cutting .....	14
<b>6. MAINTENANCE</b> .....	<b>15</b>
General .....	15
Blade Changes .....	16
<b>7. REFERENCE INFO</b> .....	<b>17</b>
Data Sheet.....	18
Parts Diagram And List .....	19-20
Warranty And Returns .....	22-24

# SECTION 1: SAFETY

## WARNING

### For Your Own Safety Read Instruction Manual Before Operating This Equipment

The purpose of safety symbols is to attract your attention to possible hazardous conditions. This manual uses a series of symbols and signal words which are intended to convey the level of importance of the safety messages. The progression of symbols is described below. Remember that safety messages by themselves do not eliminate danger and are not a substitute for proper accident prevention measures.



Indicates an imminently hazardous situation which, if not avoided, WILL result in death or serious injury.



Indicates a potentially hazardous situation which, if not avoided, COULD result in death or serious injury.



Indicates a potentially hazardous situation which, if not avoided, MAY result in minor or moderate injury. It may also be used to alert against unsafe practices.

**NOTICE**

This symbol is used to alert the user to useful information about proper operation of the equipment.

## WARNING

### Safety Instructions For Power Tools

1. **KEEP GUARDS IN PLACE** and in working order.
2. **REMOVE ADJUSTING KEYS AND WRENCHES.** Form habit of checking to see that keys and adjusting wrenches are removed from tool before turning on.
3. **KEEP WORK AREA CLEAN.** Cluttered areas and benches invite accidents.
4. **NEVER USE IN DANGEROUS ENVIRONMENT.** DO NOT use power tools in damp or wet locations, or where any flammable or noxious fumes may exist. Keep work area well lighted.
5. **KEEP CHILDREN AND VISITORS AWAY.** All children and visitors should be kept at a safe distance from work area.
6. **MAKE WORKSHOP CHILD PROOF** with padlocks, master switches, or by removing starter keys.
7. **NEVER FORCE TOOL.** It will do the job better and safer at the rate for which it was designed.
8. **USE RIGHT TOOL.** DO NOT force tool or attachment to do a job for which it was not designed.

# ⚠ WARNING

## Safety Instructions For Power Tools

- 9. USE PROPER EXTENSION CORD.** Make sure your extension cord is in good condition. Conductor size should be in accordance with the chart below. The amperage rating should be listed on the motor or tool nameplate. An undersized cord will cause a drop in line voltage resulting in loss of power and overheating. Your extension cord must also contain a ground wire and plug pin. Always repair or replace extension cords if they become damaged.

Minimum Gauge for Extension Cords

AMP RATING	LENGTH		
	25ft	50ft	100ft
0-6	16	16	16
7-10	16	16	14
11-12	16	16	14
13-16	14	12	12
17-20	12	12	10
21-30	10	10	No

- 10. WEAR PROPER APPAREL.** DO NOT wear loose clothing, gloves, neckties, rings, bracelets, or other jewelry which may get caught in moving parts. Non-slip footwear is recommended. Wear protective hair covering to contain long hair.
- 11. ALWAYS USE SAFETY GLASSES.** Also use face or dust mask if cutting operation is dusty. Everyday eyeglasses only have impact resistant lenses, they are NOT safety glasses.
- 12. SECURE WORK.** Use clamps or a vise to hold work when practical. It's safer than using your hand and frees both hands to operate tool.
- 13. DO NOT OVER-REACH.** Keep proper footing and balance at all times.
- 14. MAINTAIN TOOLS WITH CARE.** Keep tools sharp and clean for best and safest performance. Follow instructions for lubricating and changing accessories.

- 15. USE RECOMMENDED ACCESSORIES.** Consult the owner's manual for recommended accessories. The use of improper accessories may cause risk of injury.

- 16. REDUCE THE RISK OF UNINTENTIONAL STARTING.** On machines with magnetic contact starting switches there is a risk of starting if the machine is bumped or jarred. Always disconnect from power source before adjusting or servicing. Make sure switch is in OFF position before reconnecting.

- 17. CHECK DAMAGED PARTS.** Before further use of the tool, a guard or other part that is damaged should be carefully checked to determine that it will operate properly and perform its intended function. Check for alignment of moving parts, binding of moving parts, breakage of parts, mounting, and any other conditions that may affect its operation. A guard or other part that is damaged should be properly repaired or replaced.

- 18. NEVER LEAVE TOOL RUNNING UNATTENDED. TURN POWER OFF.** DO NOT leave tool until it comes to a complete stop.

- 19. NEVER OPERATE A MACHINE WHEN TIRED, OR UNDER THE INFLUENCE OF DRUGS OR ALCOHOL.** Full mental alertness is required at all times when running a machine.

- 20. NEVER ALLOW UNSUPERVISED OR UNTRAINED PERSONNEL TO OPERATE THE MACHINE.** Make sure any instructions you give in regards to machine operation are approved, correct, safe, and clearly understood.

- 21. IF AT ANY TIME YOU ARE EXPERIENCING DIFFICULTIES** performing the intended operation, stop using the machine! Then contact our service department or ask a qualified expert how the operation should be performed.

# WARNING

## Safety Instructions For Tile Saws

- 1. Wet Hands:** DO NOT touch electrical connections with wet hands.
- 2. Plug In:** All plug and receptacles must be off the ground and in a dry location.
- 3. Drip Loop:** Always make a drip loop with the power cord when using the saw (**Figure 4, Page 11**).
- 4. GFCI:** Always use a GFCI outlet in the electrical circuit of the saw (**Figure 1, Page 6**).
- 5. Blade Cooling:** Ensure that the blade remains lubricated with water during all cutting operations.
- 6. Dry Cutting:** Never dry cut with blades designed for wet cutting.
- 7. Dust Mask:** Always wear a dust mask when cutting tile.
- 8. Diamond Blades:** DO NOT feed the tile into the blade faster than the blade can cut.
- 9. Blade Selection:** Match the correct diamond blade to the material being cut.
- 10. Blade Mounting:** Before mounting the blade, inspect the arbor, arbor nut, and flanges for damage, wear, or looseness. Replace any damaged or worn parts.
- 11. Blade Direction:** Check that the directional arrow on the saw blade points in a counterclockwise direction as viewed from the mounting side.
- 12. Blade Arbor:** Ensure the blade arbor hole size matches the arbor shaft size on the saw.
- 13. Blade Guard:** DO NOT operate the saw without the blade guard installed and properly adjusted.
- 14. Blade Speed:** DO NOT exceed the safe operating speed of the blade.
- 15. Side Grinding:** DO NOT grind tile on the side of the blade, or make radius or curve cuts.

# SECTION 2: INTRODUCTION

---

## Commentary

---

We are proud to offer the Grizzly Model H3118 Tile Saw. The Model H3118 is part of a growing Grizzly family of fine machinery. When used according to the guidelines set forth in this manual, you can expect years of trouble-free, enjoyable operation and proof of Grizzly's commitment to customer satisfaction.

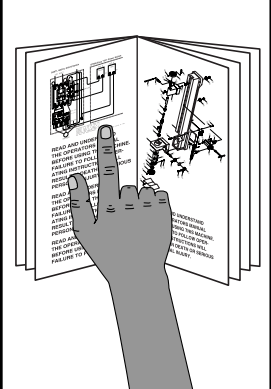
Grizzly is also pleased to provide this manual with the Model H3118. It was written to guide you through assembly, review safety considerations, and cover general operating procedures. If you have any comments regarding this manual, please write to us at the address below:

Grizzly Industrial, Inc.  
c/o Technical Documentation  
P.O. Box 2069  
Bellingham, WA 98227-2069

Most importantly, we stand behind our machines. If you have any service questions or parts requests, please call or write us at the location listed below:

Grizzly Industrial, Inc.  
1203 Lycoming Mall Circle  
Muncy, PA 17756  
Phone: (570) 546-9663  
Fax: (800) 438-5901  
E-Mail: [techsupport@grizzly.com](mailto:techsupport@grizzly.com)  
Web Site: <http://www.grizzly.com>

The specifications, drawings, and photographs illustrated in this manual represent the Model H3118 as supplied when the manual was prepared. However, owing to Grizzly's policy of continuous improvement, changes may be made at any time with no obligation on the part of Grizzly. Current Grizzly machine manuals can be viewed and printed at: [www.grizzly.com](http://www.grizzly.com).

	<p><b>!WARNING</b></p> <p>Lack of familiarity with this manual could cause serious personal injury. Become familiar with the contents of this manual, including all the safety warnings.</p>
--	--



# SECTION 3: CIRCUIT REQUIREMENTS

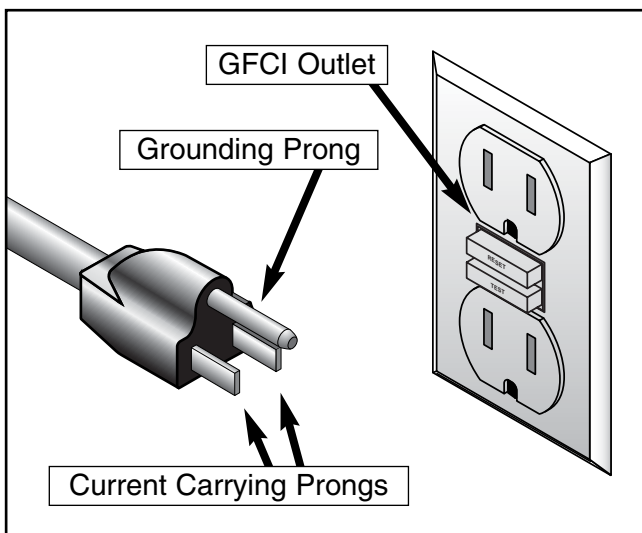
## 110V Operation

### Amperage Draw

The Model H3118 is wired to operate at 110V and draws approximately 3.75 amps.

### Plug & Outlet Type

The Model H3118 is supplied with a NEMA 5-15 plug. A Ground Fault Circuit Interrupter (GFCI) outlet must be used at all times when operating this saw. Use a GFCI plug adapter between the saw power cord and a properly grounded outlet if the outlet is not equipped with a GFCI. See **Figure 1** for a NEMA 5-15 plug and GFCI outlet.



**Figure 1.** NEMA 5-15 plug and GFCI outlet.

### Circuit Breaker Requirements

The relatively small amperage draw from this machine should not cause problems overloading most circuit breakers unless other machines are being used on the same circuit. If other machines are used on the circuit, make sure the combined amperage draw is less than the amperage rating of the circuit breaker.

### Your Circuit Capacity

Always check to see if the wires in your circuit are capable of handling the amperage draw from your machine. If you are unsure, consult a qualified electrician.

If you operate your machine on any circuit that is already close to its amperage load capacity, it might blow a fuse or trip a circuit breaker. However, if an unusual amperage draw does not exist and a power failure still occurs, contact a qualified electrician or our Service Department.

## **!WARNING**

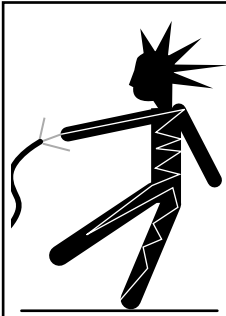
**Serious personal injury could occur if you connect your machine to the power source before you have completed the assembly process. DO NOT connect the machine to the power source until instructed to do so.**





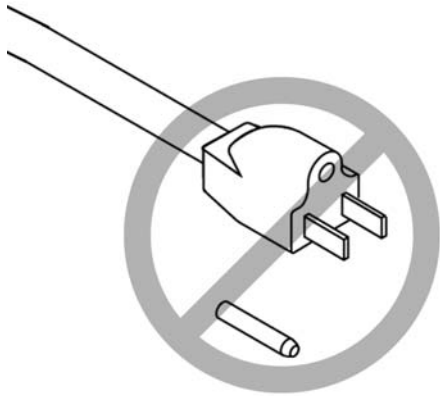
# Grounding

In the event of an electrical short, grounding reduces the risk of electric shock by providing a path of least resistance to disperse electric current. This machine is equipped with a power cord having an equipment-grounding prong. The outlet must be properly installed and grounded in accordance with all local codes and ordinances.



## **!WARNING**

Reduce the risk of electrocution by keeping all connections dry and off the ground. **DO NOT** touch plugs with wet hands. Failure to follow these warning could result in serious injury.



## **!CAUTION**

This machine must have a ground prong in the plug to help ensure that it is grounded. **DO NOT** remove ground prong from plug to fit into a two-pronged outlet! If the plug will not fit the outlet, have the proper outlet installed by a qualified electrician.



# Extension Cord

If you find it necessary to use an extension cord with the Model H3118:

- Make sure the extension cord is weather-resistant and rated for extra-hard usage (grade W).
- Make sure the extension cord has a ground wire and plug pin.
- Use at least a 16 gauge extension cord if the length is 100' long or less.
- Check with your local electrical code for correct extension cord gauge when using lengths over 100'.




## **!CAUTION**


No single list of electrical guidelines can be comprehensive for all shop environments. Operating this machinery may require additional electrical upgrades specific to your machine and shop environment. It is your responsibility to make sure your electrical systems comply with all local electrical codes and ordinances.

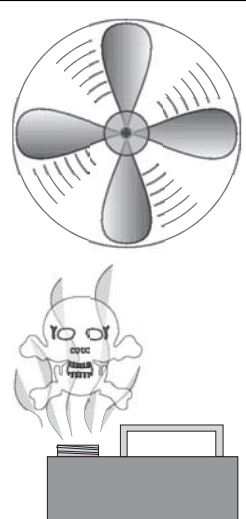
# SECTION 4: SET UP

## Clean Up

Unpainted surfaces may be coated with a waxy oil to protect them from corrosion during shipment. Remove this waxy oil with a solvent cleaner or citrus-based degreaser such as Grizzly's G7895 Degreaser. To clean thoroughly, some parts may need to be removed. **The machine will operate best when the waxy oil is removed from all moving and sliding parts.** Chlorine-based cleaners and solvents will damage the painted surfaces of the machine. Follow the manufacturer's instructions when using any type of cleaning product.

	<p><b>!WARNING</b> Gasoline or petroleum products used to clean the machinery could explode causing serious personal injury. <b>DO NOT</b> use gasoline or petroleum products to clean the machinery.</p>
--	---

	<p><b>!WARNING</b> Smoking near solvents could ignite an explosion or fire causing serious injury. <b>DO NOT</b> smoke while using solvents.</p>
---	--

	<p><b>!WARNING</b> Lack of ventilation while using solvents could cause serious personal health risks, fire, or environmental hazards. Always work in a well ventilated areas to prevent the accumulation of dangerous fumes. Supply the work area with a constant supply of fresh air using a fan.</p>
---	---

## Site Considerations

### Weight Load

The Model H3118 is a small weight load with a small footprint. Most shop floors and workbenches should be sufficient to carry the weight of the machine. Reinforce the workbench if you question its ability to support the weight.

### Working Clearance

Working clearances can be thought of as the distances between machines and obstacles that allow safe operation of every machine without limitation. Be sure to allow yourself sufficient room to safely run your machines in any foreseeable operation. The Model H3118 may splash water around the work area. **DO NOT** let water from the operation of the Model H3118 get on or near any other electrical machines or tools. Keep a safe distance between the Model H3118 and all other electrical machines and tools.

### Lighting

Lighting should be bright enough to eliminate shadows and prevent eye strain. Electrical circuits should be dedicated or large enough to handle combined motor amp loads. Be sure to follow local electrical codes for proper installation of new lighting or circuits.

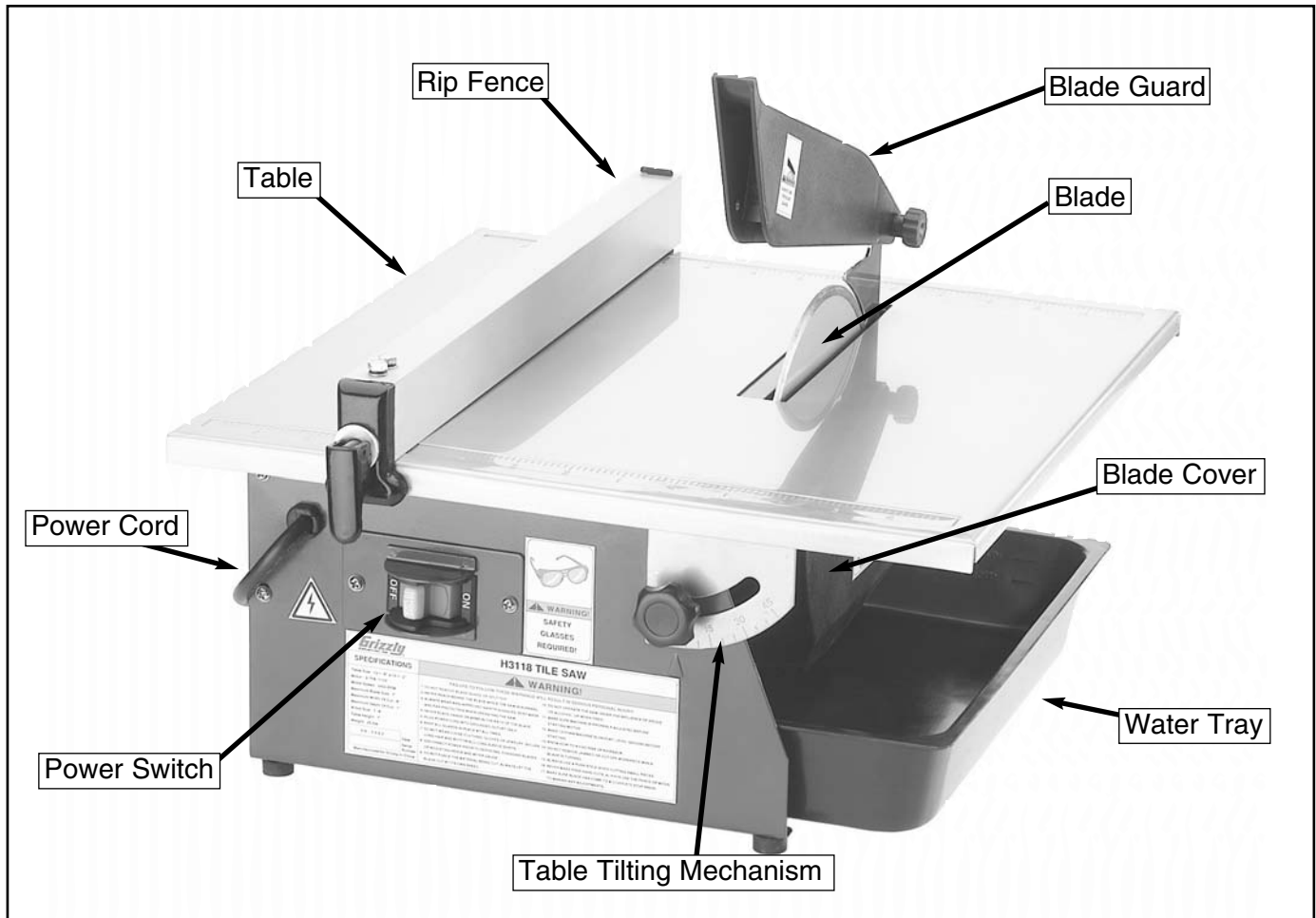
	<p><b>!WARNING</b> Unsupervised children and visitors entering a shop could receive serious personal injury. Ensure child and visitor safety by keeping all entrances to the shop locked at all times. <b>DO NOT</b> allow unsupervised children or visitors in the shop at any time.</p>
--	---



# Main Features

Set up and operation instructions will be easier to understand if you become familiar with the location and names of the basic features of the saw.


Match up the feature list below with the letters in **Figure 2** to identify the tile saw feature locations.

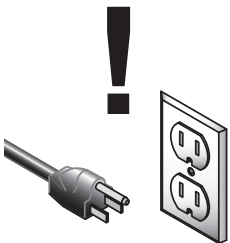



**Figure 2.** Front view of saw.



# Assembly

	<p><b>⚠ WARNING</b> Loose hair and clothing could get caught in machinery causing serious personal injury. Keep loose clothing rolled up and long hair tied up and away from machinery.</p>
---	---

	<p><b>⚠ WARNING</b> Serious personal injury could occur if you connect your machine to the power source before you have completed the assembly process. <b>DO NOT</b> connect the machine to the power source until instructed to do so.</p>
---	--

	<p><b>⚠ CAUTION</b> Sharp edges on metal parts may cause personal injury. Examine the edges of all metal parts before handling.</p>
---	---

The Model H3118 comes pre-assembled from the factory except for the four rubber feet that need inserting as shown in **Figure 3**. Dip the rubber feet into soapy water to ease the installation. *Note—DO NOT twist the rubber feet during installation. They could break. Use only a wiggling action.*



**Figure 3.** Attaching the rubber feet.



# Start Up

## ⚠️ WARNING

Operating, plugging, or unplugging any electrical machine into a power source with wet hands or feet could cause electrocution. Dry off hands and power plug, and make sure feet and ground are dry before plugging or unplugging any electrical machine into a power source.



## ⚠️ WARNING

Loose hair and clothing could get caught in machinery causing serious personal injury. Keep loose clothing rolled up and long hair tied up and away from machinery.



## ⚠️ WARNING

Projectiles thrown from the machine could cause serious eye injury. Wear safety glasses at all times.

### Starting the machine:

1. Wear safety glasses at all times when running the saw!
2. With dry hands, a dry plug, and dry feet, plug the saw into the power source.

## ⚠️ WARNING

Be sure the cord is positioned with a “drip loop” below the level of the outlet as shown in Figure 4. This prevents water from running down the cord and into the outlet. Instead the water will drip to the floor at the “drip loop” on the cord.

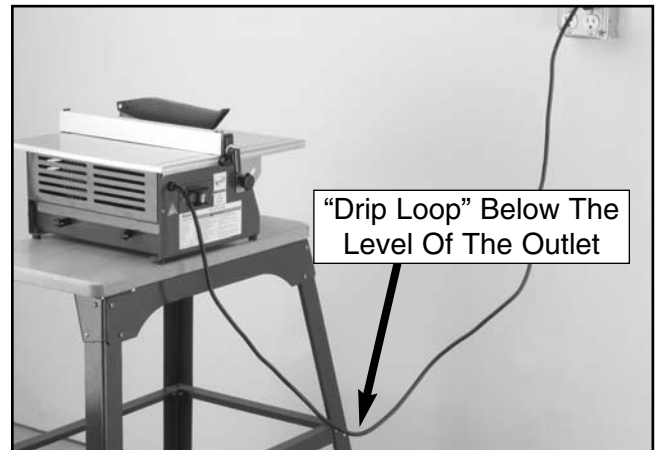


Figure 4. Correct cord positioning.

### Before starting the machine:

1. Read this manual and make sure you follow all safety precautions before operating this machine.
2. Make sure the blade guard is installed and is covering the blade above the table surface.
3. Make sure the blade cover is installed and is covering the blade below the table.
4. Make sure all tools or foreign objects have been removed from the machine.
5. Review *Section 3: Circuit Requirements* beginning on **Page 6** and make sure all wiring is correct.

3. If not already installed, plug the safety key into the power switch as shown in **Figure 5**. The switch will only turn the saw on when the safety key is installed.



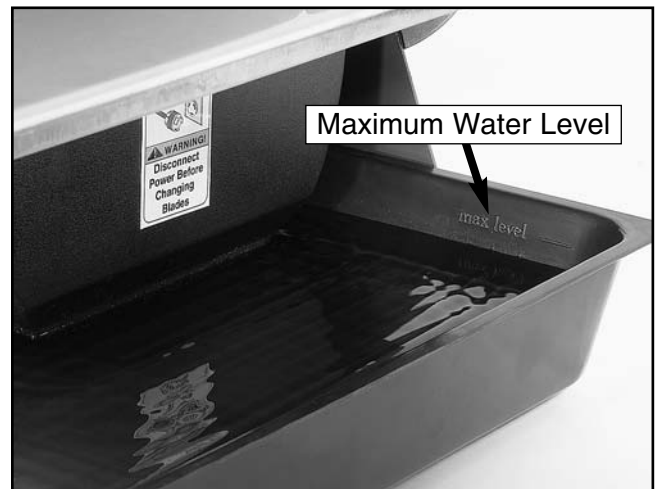
**Figure 5.** Removable safety key for the power switch.

4. Turn the machine ON and make sure your hand is on the power switch in case you need to quickly turn the machine OFF. The machine should run smoothly with little or no vibration.



## Lubrication

Water is used to cool and lubricate the saw blade when cutting tile. Water also reduces the amount of tile dust produced. Fill the water tray with water before making any tile cuts. The water level should be above the blade cover base when the water tray is under the saw as shown in **Figure 6**.



**Figure 6.** Water tray.



# SECTION 5: OPERATION

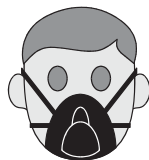
## Cut Preparation

### WARNING

To avoid serious personal injury, read and become familiar with the *Start Up* and *Lubrication Sub-sections* on Pages 11 and 12 before making any cuts with the Model H3118.

### WARNING

Damage to your eyes, lungs, and ears could result from failure to wear safety glasses, a dust mask, and hearing protection while cutting with the machine.



## Cutting

To make a cut:

1. Using a marking pencil, mark the cut line on a piece of tile.
2. Unlock the rip fence (**Figure 7**) and slide it to the edge of the table.



**Figure 7.** Rip fence locking lever.

3. Line up the cut line on the tile with the saw blade.
4. Adjust the rip fence against the edge of the tile and lock the rip fence into position.
5. Turn the saw ON and allow it to reach full speed. Be sure the blade runs smoothly. The blade should also be wet from the water tray below the saw.
6. Keeping your fingers out of the cutting path, slowly slide the tile into the moving blade. *Note—DO NOT feed the tile into the blade too fast. If the motor sounds like it is slowing down during the cut, you are feeding the tile too fast. Slow down the feed rate immediately.*



# 45° Miter Cutting

Diagonal cuts can be made on rectangular tiles using the supplied miter gauge. **Figure 8** shows a typical set up for cutting the corner off of a square tile.



**Figure 8.** Diagonal cutting with the miter gauge.



# Bevel Cutting

The saw table can be tilted up to 45° to accommodate bevel cutting. Loosen the knob on the front of the saw to adjust the saw table as shown in **Figure 9**. Use the scale on the front of the saw to set the desired table tilt angle. Retighten the knob to secure the table.

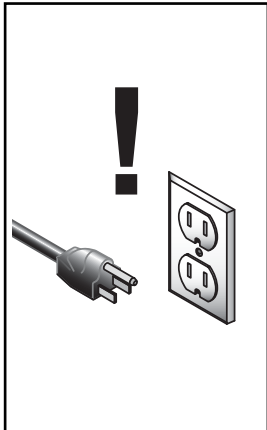


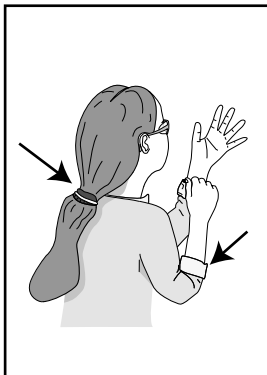
**Figure 9.** Tilting the table for bevel cutting.






# SECTION 6: MAINTENANCE

	<p><b>⚠️ WARNING</b></p> <p>Serious personal injury could occur if you connect your machine to the power source during the maintenance process. <b>DO NOT</b> connect the machine to the power source while performing any maintenance on the Model H3118.</p>
---	--

	<p><b>⚠️ WARNING</b></p> <p>Loose hair and clothing could get caught in machinery causing serious personal injury. Keep loose clothing rolled up and long hair tied up and away from machinery.</p>
--	---

	<p><b>⚠️ WARNING</b></p> <p>Projectiles thrown from the machine could cause serious eye injury. Wear safety glasses during assembly.</p>
---	--

## General

Regular periodic maintenance on your Model H3118 will ensure its optimum performance. Make a habit of inspecting your machine each time you use it.

**Before each use, perform the following checks:**

- Look for conditions allowing prolonged exposure of the motor and electrical components to water.
- Tighten loose fasteners and hardware.
- Replace worn switches, DO NOT repair.
- Replace worn or damaged cords and plugs, DO NOT repair.
- Inspect and replace saw blade if damaged.
- Ensure correct blade guard alignment and operation.
- Correct any other condition that could hamper the safe operation of this machine.



# Blade Changes

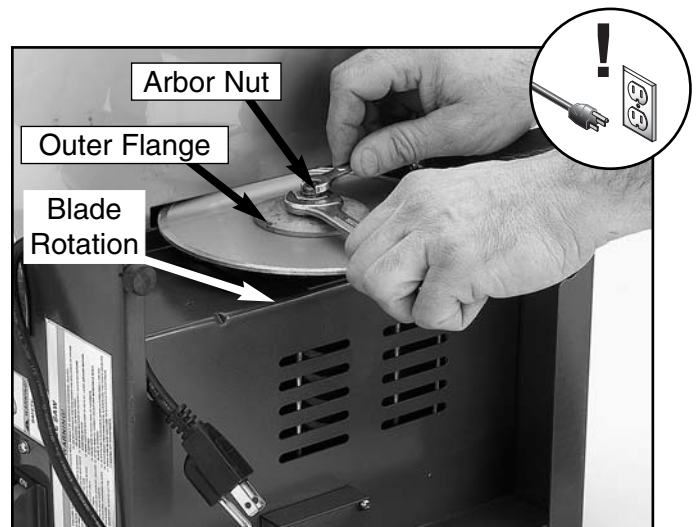
To change/install the blade:

1. **Unplug the machine from the power source!**
2. Remove the water tray from underneath the tile saw.
3. Remove the blade cover by removing the screws on each side of the blade cover (**Figure 10**).



**Figure 10.** Loosening one of the blade cover screws.

4. Use a 19mm and an 8mm open-end wrench to loosen and remove the arbor nut from the motor spindle as shown in **Figure 11**.



**Figure 11.** Removing the arbor nut.

5. Slide the outer flange (**Figure 11**) and the saw blade off the end of the motor spindle.
6. Slide the new blade and the outer flange over the end of the motor spindle. *Note—Make sure the directional arrow printed on the saw blade is pointing in a counter-clockwise direction when viewing the saw facing the arbor nut.*
7. Thread and tighten the arbor nut onto the motor spindle to secure the saw blade.
8. Re-install the blade cover.



# SECTION 7: REFERENCE INFO

---

If you need parts or help in assembling your machine, or if you need operational information, call the Grizzly Service Department. Trained service technicians will be glad to help you.

If you have any comments regarding this manual, please write to Grizzly at the address below:

Grizzly Industrial, Inc.  
c/o Technical Documentation  
P.O. Box 2069  
Bellingham, WA 98227-2069

Important safety measures that are essential to the operation of this machine have been explained in *Section 1: Safety*. While most safety measures are generally universal, Grizzly reminds you that each workshop is different and safety rules should be considered as they apply to your specific situation.

We recommend you keep a copy of our current catalog for complete information regarding Grizzly's warranty and return policy. If you need additional technical information relating to this machine, or if you need general assistance or replacement parts, please contact the Service Department at the location listed below.

Grizzly Industrial, Inc.  
1203 Lycoming Circle  
Muncy, PA 17756  
Phone: (570) 546-9663  
Fax: (800) 438-5901  
E-Mail: [techsupport@grizzly.com](mailto:techsupport@grizzly.com)  
Web Site: <http://www.grizzly.com>.

Additional information sources are necessary to realize the full potential of this machine. Trade journals, woodworking magazines, and your local library are good places to start.





# MACHINE DATA SHEET

Customer Service #: (570) 546-9663 • To Order Call: (800) 523-4777 • Fax #: (800) 438-5901

## Model H3118 Tile Saw

**Design Type**.....Benchtop

**Overall Dimensions:**

Table Height .....7"  
Table Size .....15" x 15½"  
Water Reservoir .....12½" x 7½"  
Net Weight .....25 lbs.

**Construction:**

Table .....Stainless Steel  
Stand.....Steel  
Bearings .....Sealed & Permanently Lubricated Ball Bearings

**Cutting Capacity:**

Maximum Blade Diameter .....7"  
Maximum Depth of Cut at 90° .....1"  
Rip Cut Capacity .....8"

**Motor:**

Type .....Universal  
Phase / Cycle .....Single-Phase / 60 HZ  
Voltage .....110V  
Amps .....3.75A  
Motor Speed .....3450 RPM  
Power Transfer .....Direct Drive  
Switch.....ON/OFF Toggle W/ Safety Toggle

**Arbor:**

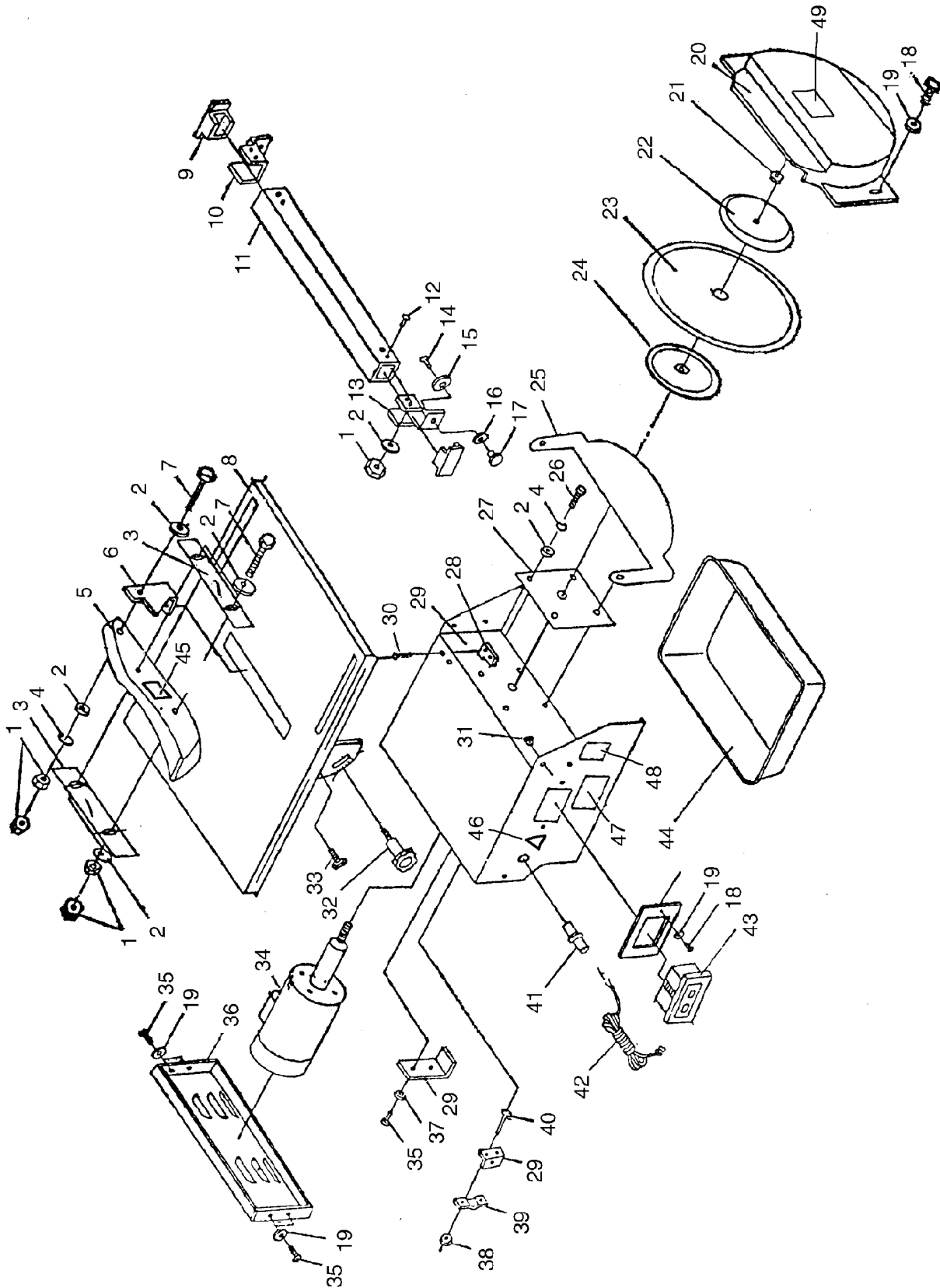
Diameter .....7/8"

**Features:**

.....Water Lubrication Tray  
.....Diamond Saw Blade  
.....Carrying Handle  
.....Table Tilts To 45° For Bevel Cutting

*Specifications, while deemed accurate, are not guaranteed.*

# PARTS DIAGRAM AND LIST



REF	PART #	DESCRIPTION
1	PN06M	HEX NUT M5-0.8
2	PW02M	FLAT WASHER 5MM
3	PH3118003	GUARD PLATE
4	PLW01M	LOCK WASHER 5MM
5	PH3118005	BLADE GUARD
6	PH3118006	MOUNTING BRACKET
7	PB104M	HEX BOLT M5-0.8 X 30
8	PH3118008	TABLE
9	PH3118009	RUBBER BLOCK
10	PH3118010	FENCE REAR BRACKET
11	PH3118011	RIP FENCE
12	PS05M	PHLP HD SCR M5-0.8 X 8
13	PH3118013	FENCE FRONT BRACKET
14	PB83M	HEX BOLT M6-1.0 X 16
15	PW03M	FLAT WASHER 6MM
16	PW01M	FLAT WASHER 8MM
17	PH3118017	HANDLE
18	PS38M	PHLP HD SCR M4-0.7 X 10
19	PW05M	FLAT WASHER 4MM
20	PH3118020	LOWER BLADE COVER
21	PN31M	HEX NUT M12-1.5
22	PH3118022	OUTER FLANGE
23	PH3118023	SAW BLADE
24	PH3118024	INNER FLANGE
25	PH3118025	LOWER GUARD PLATE

REF	PART #	DESCRIPTION
26	PS08M	PHLP HD SCR M5-0.8 X 12
27	PH3118027	PLATE
28	PH3118028	CONNECTION PLATE
29	PH3118029	FRAME
30	PS38M	PHLP HD SCR M4-0.7 X 10
31	PN01M	HEX NUT M6-1.0
32	PH3118032	HANDLE
33	PB02M	HEX BOLT M6-1.0 X 12
34	PH3118034	MOTOR
35	PS17M	PHLP HD SCR M4-0.7 X 6
36	PH3118036	REAR COVER
37	PTLW06M	EXT TOOTH WASHER 4MM
38	PN23M	HEX NUT M3-0.6
39	PH3118039	FIXING PIN
40	PS55M	PHLP HD SCR M3-0.6 X 10
41	PH3118041	STRAIN RELIEF
42	PWRCRD110L	POWER CORD 110V, LONG W/PLUG
43	PH3118043	POWER SWITCH
44	PH3118044	WATER TRAY
45	PH3118045	BLADE GUARD WARNING
46	PLABEL-14	ELECTRICITY WARNING
47	PH3118047	MACHINE ID/WARNING
48	PLABEL-11	SAFETY GLASSES WARNING
49	PLABEL-13	UNPLUG WARNING

# NOTES

---

---

# WARRANTY AND RETURNS

---

---

Grizzly Industrial, Inc. warrants every product it sells for a period of **1 year** to the original purchaser from the date of purchase. This warranty does not apply to defects due directly or indirectly to misuse, abuse, negligence, accidents, repairs or alterations or lack of maintenance. This is Grizzly's sole written warranty and any and all warranties that may be implied by law, including any merchantability or fitness, for any particular purpose, are hereby limited to the duration of this written warranty. We do not warrant or represent that the merchandise complies with the provisions of any law or acts unless the manufacturer so warrants. In no event shall Grizzly's liability under this warranty exceed the purchase price paid for the product and any legal actions brought against Grizzly shall be tried in the State of Washington, County of Whatcom.

We shall in no event be liable for death, injuries to persons or property or for incidental, contingent, special, or consequential damages arising from the use of our products.

To take advantage of this warranty, contact us by mail or phone and give us all the details. We will then issue you a "Return Number," which must be clearly posted on the outside as well as the inside of the carton. We will not accept any item back without this number. Proof of purchase must accompany the merchandise.

The manufacturers reserve the right to change specifications at any time because they constantly strive to achieve better quality equipment. We make every effort to ensure that our products meet high quality and durability standards and we hope you never need to use this warranty.

Please feel free to write or call us if you have any questions about the machine or the manual.

Thank you again for your business and continued support. We hope to serve you again soon.



# WARRANTY CARD

Name \_\_\_\_\_  
Street \_\_\_\_\_  
City \_\_\_\_\_ State \_\_\_\_\_ Zip \_\_\_\_\_  
Phone Number \_\_\_\_\_ E-Mail \_\_\_\_\_ FAX \_\_\_\_\_  
MODEL # \_\_\_\_\_ Order # \_\_\_\_\_ Serial # \_\_\_\_\_

The following information is given on a voluntary basis. It will be used for marketing purposes to help us develop better products and services. Of course, all information is strictly confidential.

- How did you learn about us?  
 Advertisement                       Friend  
 Catalog                                 Card Deck  
 World Wide Web  
 Other \_\_\_\_\_
- Which of the following magazines do you subscribe to.  
 American Woodworker                 Practical Homeowner  
 Cabinetmaker                          Shop Notes  
 Family Handyman                     Today's Homeowner  
 Fine Homebuilding                    WOOD  
 Fine Woodworking                    Wooden Boat  
 Home Handyman                       Woodshop News  
 Journal of Light Construction       Woodsmith  
 Old House Journal                    Woodwork  
 Popular Mechanics                    Woodworker  
 Popular Science                       Woodworker's Journal  
 Popular Woodworking                 Workbench  
 Other \_\_\_\_\_
- Which of the following woodworking/remodeling shows do you watch?  
 Backyard America                     The New Yankee Workshop  
 Home Time                              This Old House  
 The American Woodworker          Woodwright's Shop  
 Other \_\_\_\_\_
- What is your annual household income?  
 \$20,000-\$29,999                       \$60,000-\$69,999  
 \$30,000-\$39,999                       \$70,000-\$79,999  
 \$40,000-\$49,999                       \$80,000-\$89,999  
 \$50,000-\$59,999                       \$90,000 +
- What is your age group?  
 20-29                                       50-59  
 30-39                                       60-69  
 40-49                                       70 +
- How long have you been a woodworker?  
 0 - 2 Years                               8 - 20 Years  
 2 - 8 Years                               20+ Years
- How would you rank your woodworking skills?  
 Simple                                       Advanced  
 Intermediate                               Master Craftsman
- What stationary woodworking tools do you own? Check all that apply.  
 Air Compressor                         Panel Saw  
 Band Saw                                  Planer  
 Drill Press                                Power Feeder  
 Drum Sander                              Radial Arm Saw  
 Dust Collector                          Shaper  
 Horizontal Boring Machine           Spindle Sander  
 Jointer                                     Table Saw  
 Lathe                                       Vacuum Veneer Press  
 Mortiser                                  Wide Belt Sander  
 Other \_\_\_\_\_
- How many of your woodworking machines are Grizzly? \_\_\_\_\_
- Which benchtop tools do you own? Check all that apply.  
 1" x 42" Belt Sander                     6" - 8" Grinder  
 5" - 8" Drill Press                      Mini Lathe  
 8" Table Saw                             10" - 12" Thickness Planer  
 8" - 10" Bandsaw                       Scroll Saw  
 Disc/Belt Sander                       Spindle/Belt Sander  
 Mini Jointer  
 Other \_\_\_\_\_
- How many of the machines checked above are Grizzly? \_\_\_\_\_
- Which portable/hand held power tools do you own? Check all that apply.  
 Belt Sander                               Orbital Sander  
 Biscuit Joiner                          Palm Sander  
 Circular Saw                              Portable Planer  
 Detail Sander                           Saber Saw  
 Drill/Driver                              Reciprocating Saw  
 Miter Saw                                 Router  
 Other \_\_\_\_\_
- What machines/supplies would you like Grizzly Industrial to carry?  
\_\_\_\_\_  
\_\_\_\_\_
- What new accessories would you like Grizzly Industrial to carry?  
\_\_\_\_\_  
\_\_\_\_\_
- What other companies do you purchase your tools and supplies from?  
\_\_\_\_\_  
\_\_\_\_\_
- Do you think your purchase represents good value?  
 Yes                                          No
- Would you recommend Grizzly Industrial to a friend?  
 Yes                                          No
- Would you allow us to use your name as a reference for Grizzly customers in your area? **Note: We never use names more than three times.**  
 Yes                                          No
- Comments: \_\_\_\_\_  
\_\_\_\_\_  
\_\_\_\_\_

CUT ALONG DOTTED LINE

FOLD ALONG DOTTED LINE

\_\_\_\_\_

\_\_\_\_\_

\_\_\_\_\_

||| ||| |||

Place Stamp Here



**GRIZZLY INDUSTRIAL, INC.**  
**P.O. BOX 2069**  
**BELLINGHAM, WA 98227-2069**



FOLD ALONG DOTTED LINE

Send a Grizzly Catalog to a friend:

Name \_\_\_\_\_

Street \_\_\_\_\_

City \_\_\_\_\_ State \_\_\_\_\_ Zip \_\_\_\_\_

TAPE ALONG EDGES--PLEASE DO NOT STAPLE

# *grizzly.com*

**TOOL WEBSITE**

Buy Direct and Save with Grizzly® – Trusted, Proven and a Great Value!

*Visit Our Website Today And Discover Why  
Grizzly® Is The Industry Leader!*

- SECURE ORDERING
- ORDERS SHIPPED WITHIN 24 HOURS
- E-MAIL RESPONSE WITHIN ONE HOUR

-OR-

Call Today For A **FREE**  
Full Color Catalog

**1-800-523-4777**



## Free Manuals Download Website

<http://myh66.com>

<http://usermanuals.us>

<http://www.somanuals.com>

<http://www.4manuals.cc>

<http://www.manual-lib.com>

<http://www.404manual.com>

<http://www.luxmanual.com>

<http://aubethermostatmanual.com>

Golf course search by state

<http://golfingnear.com>

Email search by domain

<http://emailbydomain.com>

Auto manuals search

<http://auto.somanuals.com>

TV manuals search

<http://tv.somanuals.com>