



# MODEL H6441 HALOGEN LAMP INSTRUCTIONS

## **⚠️ WARNING**

1. Only connect this lamp to a properly grounded 110V power source.
2. Halogen lamps can become very hot. Securely mount this lamp to a stable surface that is safely away from combustible materials of any kind.
3. DO NOT replace the halogen bulb with a wattage higher than what this lamp is rated for. Doing this could cause the lamp parts to melt or catch on fire.
4. To prevent electrical fires or electrocution, DO NOT allow any liquid to come in contact with the lamp.
5. To avoid the risk of burns or electrocution, turn the lamp *OFF*, unplug it from the power source, and allow it to cool before making adjustments or performing maintenance.
6. Children or pets are unaware of the hazards of a hot halogen lamp. DO NOT allow children or pets near the lamp.
7. To avoid burns or a fire, never handle the hot lamp or discard a hot halogen bulb.
8. The vents in the back of the lamp allow heat to ventilate. Do not obstruct these vents in anyway.
9. For safe operation, never operate this lamp with missing or broken parts.

## Specifications

Power Requirements ..... Grounded 110V  
Transformer ..... 24V  
Halogen Bulb ..... 50 Watt

## Inventory

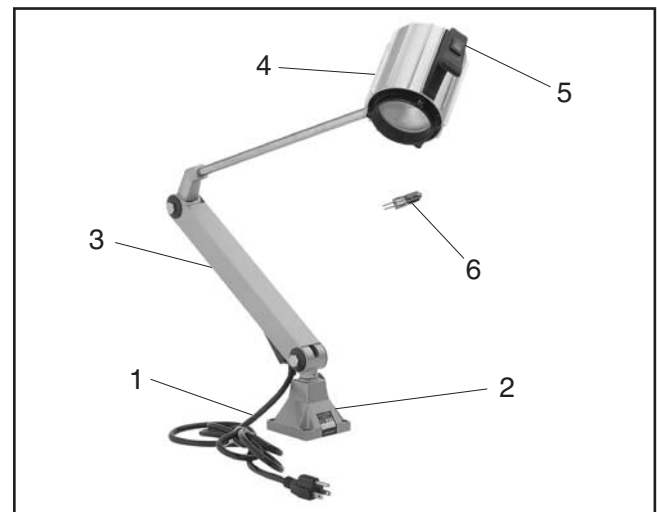


Figure 1. Inventory and identification.

REF	PART #	DESCRIPTION
1	PH6441001	POWER CORD & TRANSFORMER ASSY
2	PH6441002	MOUNTING BASE
3	PH6441003	SUPPORTING ARM ASSEMBLY
4	PH6441004	LAMP HOUSING ASSEMBLY
5	PH6441005	SWITCH ASSEMBLY
6	PH6441006	HALOGEN BULB ASSY 50 WATT

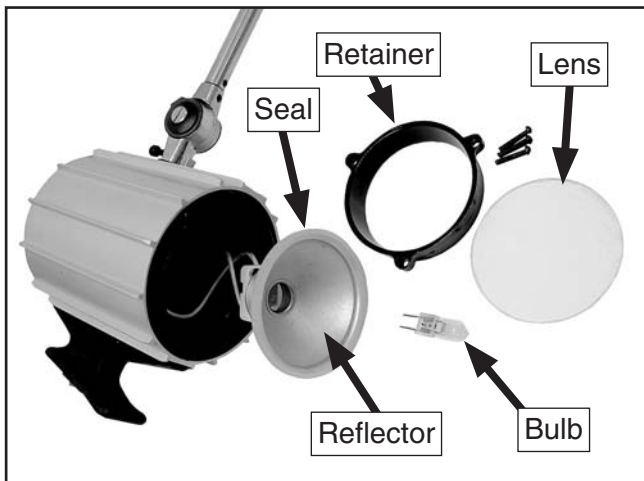
COPYRIGHT © MARCH, 2010 BY GRIZZLY INDUSTRIAL, INC.

WARNING: NO PORTION OF THIS MANUAL MAY BE REPRODUCED IN ANY SHAPE OR FORM WITHOUT THE WRITTEN APPROVAL OF GRIZZLY INDUSTRIAL, INC.

#TS12688 PRINTED IN CHINA

## Replacing Bulb

1. Turn the lamp **OFF**, unplug it from the power source, then allow it to cool.
2. Remove the three Phillips head screws from the lens retainer, then remove the retainer (see **Figure 2**).



**Figure 2.** Lamp parts removed for bulb replacement.

3. While observing how the reflector and lens fit into the lamp cavity, carefully remove them from the lamp.

4. Use clean gloves or a cloth to pull the bulb from its receptacle and replace it with a new one.

**Note:** Handling a halogen bulb with your hands exposes the exterior quartz of the bulb to oils and salts that could cause a weak point and decrease the life of the bulb.

5. Make sure the reflector seal is positioned correctly on the reflector lip, then re-insert the reflector back into the lamp cavity.
6. Insert the lens on top of the reflector, then secure them in place by re-installing the lens retainer with the screws removed in **Step 2**.

## **!WARNING**

Like all high intensity lamps there is potential danger when operating this lamp. Accidents are frequently caused by lack of familiarity or failure to pay attention. Use this lamp with respect and caution to decrease the risk of operator injury. If normal safety precautions are overlooked or ignored, serious personal injury may occur.

*If you need help with your new halogen lamp, call our Tech Support at: (570) 546-9663.*



## Free Manuals Download Website

<http://myh66.com>

<http://usermanuals.us>

<http://www.somanuals.com>

<http://www.4manuals.cc>

<http://www.manual-lib.com>

<http://www.404manual.com>

<http://www.luxmanual.com>

<http://aubethermostatmanual.com>

Golf course search by state

<http://golfingnear.com>

Email search by domain

<http://emailbydomain.com>

Auto manuals search

<http://auto.somanuals.com>

TV manuals search

<http://tv.somanuals.com>