



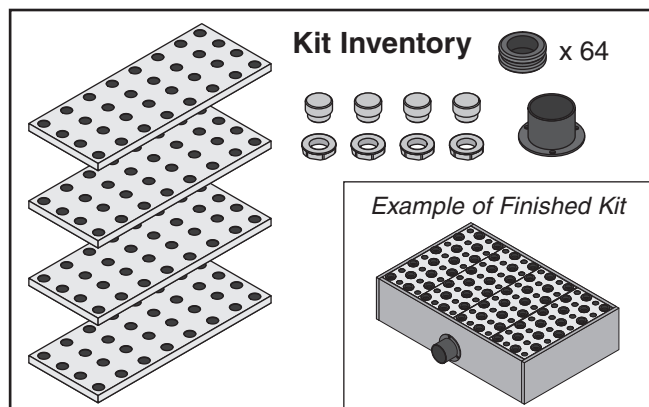
MODEL T10699 DOWNDRAFT SANDING TABLE KIT INSTRUCTIONS

For questions or help with this product contact Tech Support at (570) 546-9663 or techsupport@grizzly.com

Introduction

This kit allows you to create your own custom Downdraft Sanding Table. You just need to construct the box, add a dust port, and connect it to your dust collector or shop vacuum. Multiple kits can also be combined to build larger tables.

Kit includes (4) downdraft panels, (64) rubber downdraft grommets, (4) plastic work stops with nuts, and (1) 4" dust port. Each panel measures 6³/₄" W x 16¹/₂" L and is 1³/₁₆" high.



Model T10699 Downdraft Sanding Table Kit

Building Material & Fasteners

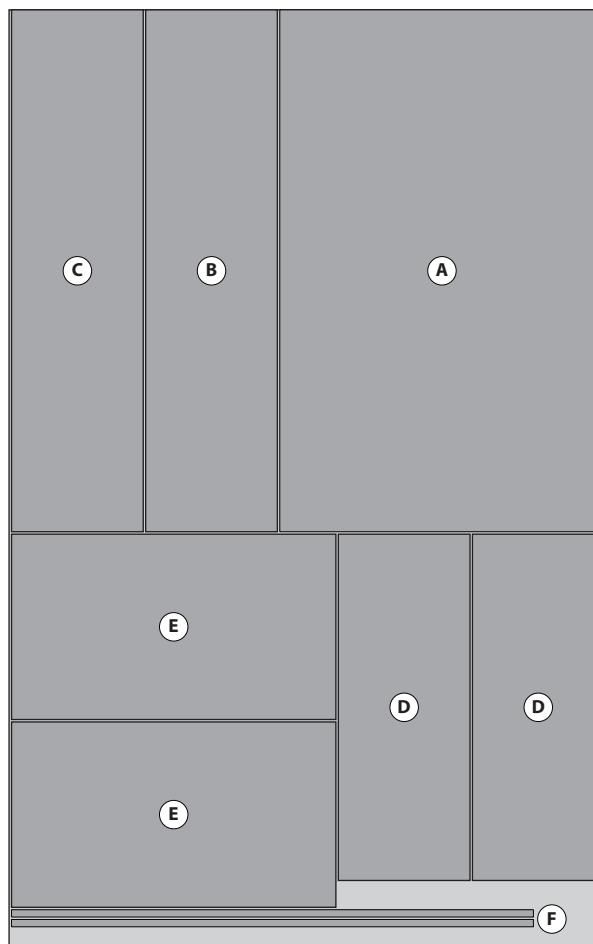
These instructions are designed for construction with 1/2" sheet stock. If desired, you can substitute the sheet stock with the wood type of your choice.

If using a different material thickness than specified, adjust the length of Side Pieces (D).

You also need to determine how you will fasten the various kit components together, depending on the desired quality. Common options are wood screws, glue, brad nails/staples, biscuits, rabbets, dovetails, or any combination of these together.

Cut List

ID	Part	T	W	L	Qty
A	Bottom Piece	1/2"	16 ⁵ / ₈ "	26 ³ / ₄ "	1
B	Front Piece	1/2"	6 ³ / ₄ "	26 ³ / ₄ "	1
C	Rear Piece	1/2"	6 ³ / ₄ "	26 ³ / ₄ "	1
D	Side Piece	1/2"	6 ³ / ₄ "	17 ³ / ₄ "	2
E	Insert	1/2"	9 ¹ / ₂ "	16 ⁵ / ₈ "	2
F	Guide Bar	1/2"	3/8"	26 ³ / ₄ "	2



1/2" x 30¹/₂" x 48" sheet stock

COPYRIGHT © FEBRUARY, 2013 BY GRIZZLY INDUSTRIAL, INC.

WARNING: NO PORTION OF THIS MANUAL MAY BE REPRODUCED IN ANY SHAPE OR FORM WITHOUT THE WRITTEN APPROVAL OF GRIZZLY INDUSTRIAL, INC.

FOR KITS MANUFACTURED SINCE 2/13 #TR15633 PRINTED IN TAIWAN

Dust Port Options

A 4" dust port has been included to connect your downdraft table to a dust collector. If you want to connect it to a shop vacuum, you can purchase a 2½" dust port or a 2½" x 4" hose adapter from Grizzly.



Other Related Items from Grizzly

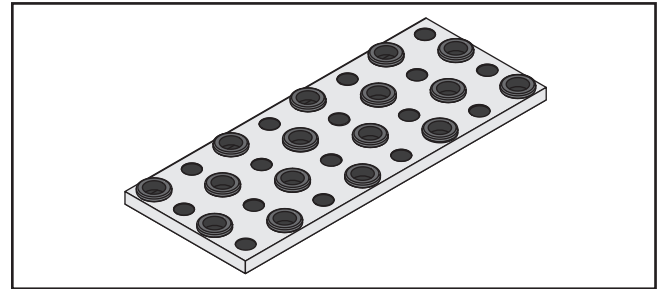
D4203—Clear Flexible Hose 2½" x 10'
 D4206—Clear Flexible Hose 4" x 10'
 D2104—Hose Hanger for 2½" Hose
 D2107—Hose Hanger for 4" Hose
 W1314—Wire Hose Clamp 2½"
 W1317—Wire Hose Clamp 4"
 W1007—Plastic Blast Gate 4" OD
 D2251—Adjustable Circle Cutter 1"–5" Dia.
 W1039—Universal Adapter 1"–6"
 T25448—Dust Collector Remote Switch 110V



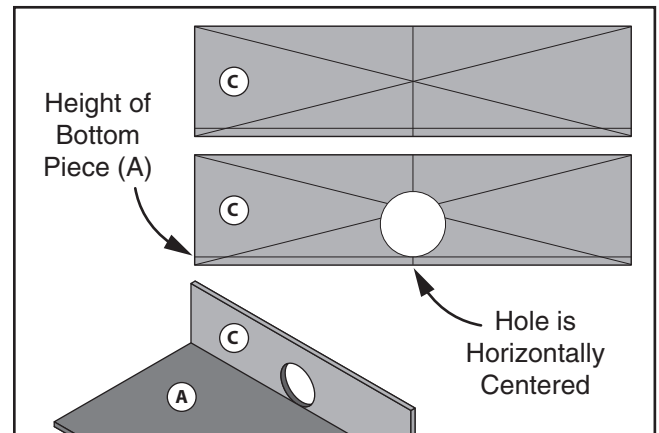
Call 1-800-523-4777 To Order

Construction

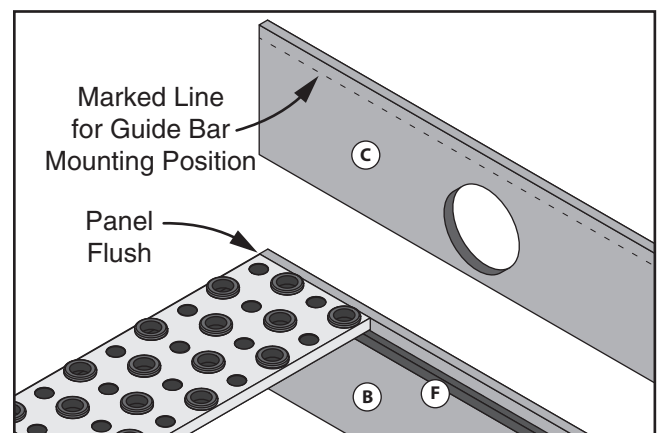
1. Cut out all pieces from the provided cut list.
2. Install rubber grommets in all panels, spacing them out evenly and staggered in each row.



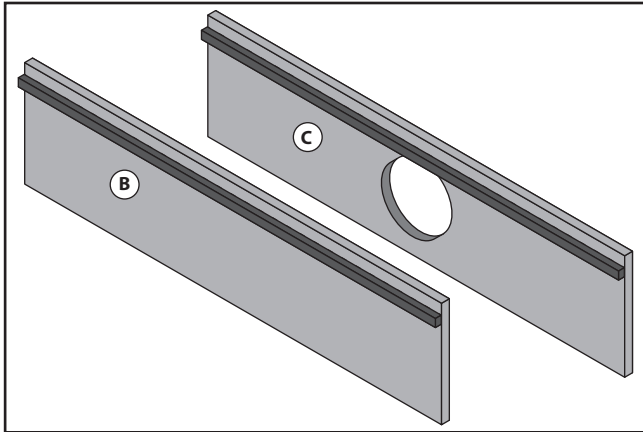
3. Cut out the dust port hole in Rear Piece (C), matching the hole diameter of the dust port. Center the hole horizontally, and position the bottom of the hole even with the top of Bottom Piece (A), so dust will flow smoothly into the dust port during operation.



4. Mark a line for the mounting position of Guide Bars (F) on Front Piece (B) and Rear Piece (C). The mounting height of Guide Bars (F) should allow panels to sit flush with the top edge of Front Piece (B) and Rear Piece (C).

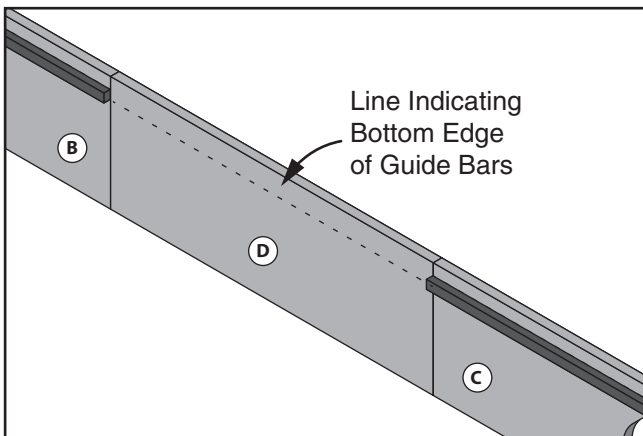


5. Attach Guide Bars (F) to Front Piece (B) and Rear Piece (C) with top edges along the lines you marked in the previous step.

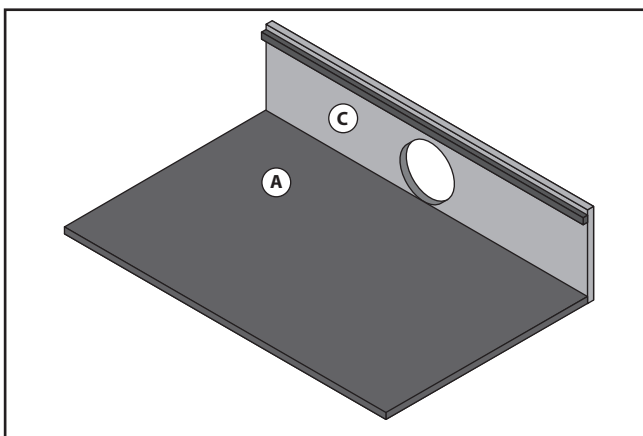


6. Position one Side Piece (D) between Front Piece (B) and Rear Piece (C), then place a straightedge against the bottom of Guide Bars (F) and mark a line across Side Piece (D). Repeat with the other Side Piece (D).

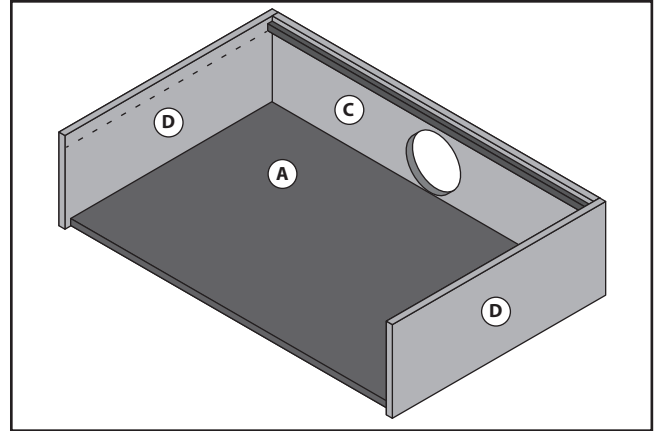
These lines will help you position Inserts (E) during a later step.



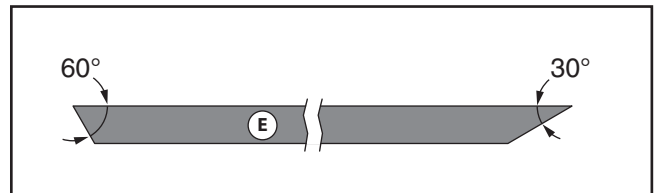
7. Attach Rear Piece (C) to Bottom Piece (A).



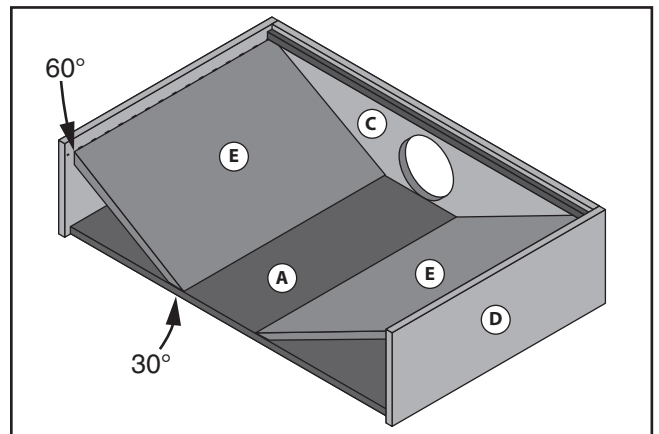
8. Attach Side Pieces (D) to Bottom Piece (A) and Rear Piece (C).



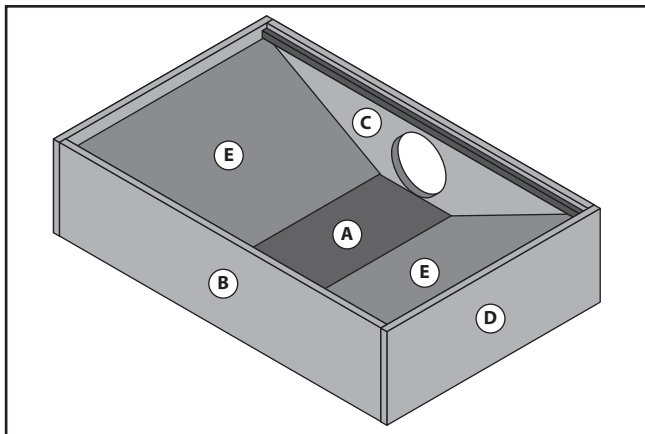
9. Miter cut one end of Inserts (E) at 60° and the other end at 30°.



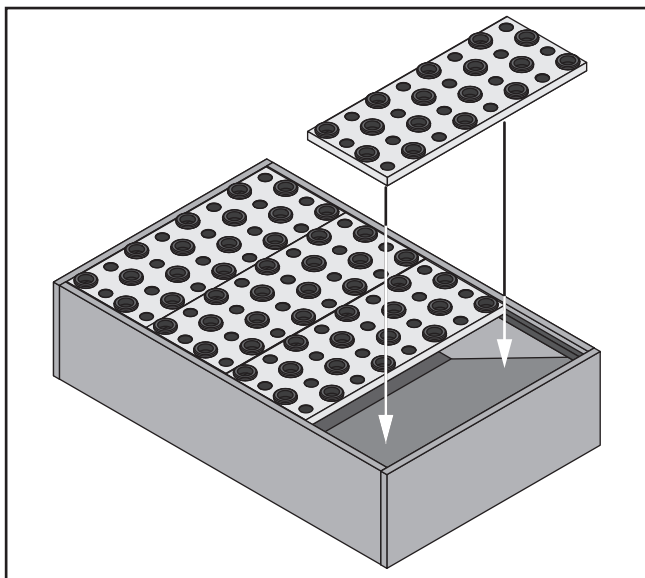
10. Place the 60° ends of Inserts (E) just below the lines on Side Pieces (D), then attach Inserts (E) to Side Pieces (D) and Bottom Piece (A).



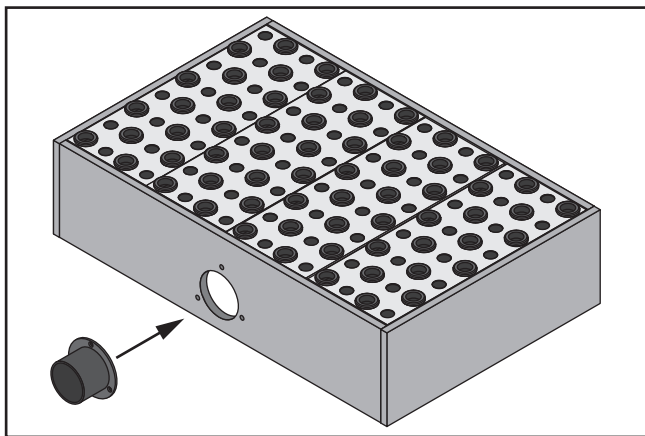
11. Attach Front Piece (B) to Bottom Piece (A) and Side Pieces (D).



12. Place the panels on Guide Bars (F).



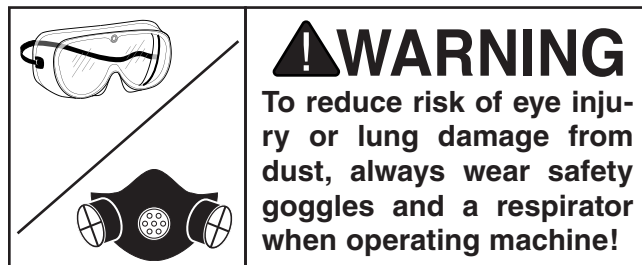
13. Attach dust port over hole in Rear Piece (C).



Operation

The downdraft sanding table helps reduce airborne dust while sanding with a handheld electric sander.

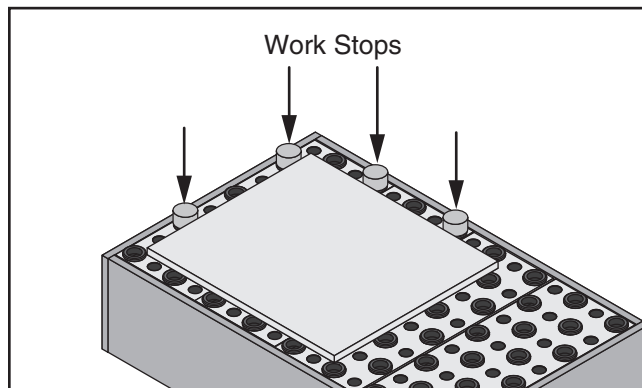
The dust port is connected to a shop vacuum or dust collector, and a workpiece is placed on top the downdraft table and sanded with an electric handheld sander. As dust comes off the sander, it is sucked through the downdraft table holes and into the vacuum or dust collector—instead of becoming airborne in the shop.



Work Stops

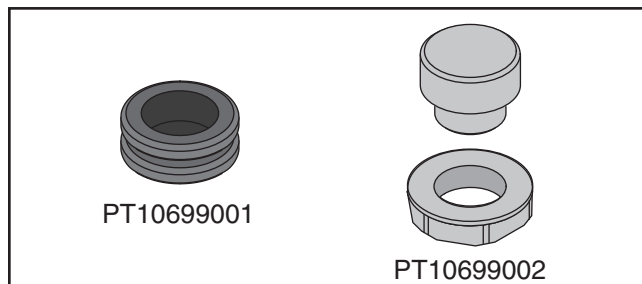
The downdraft table kit includes four work stops.

The work stops can be placed inside the panel holes to act as a barrier, preventing unwanted workpiece movement when sanding.



Replacement Parts

Replacement rubber grommets and work stops can be purchased if they get lost or damaged.



Free Manuals Download Website

<http://myh66.com>

<http://usermanuals.us>

<http://www.somanuals.com>

<http://www.4manuals.cc>

<http://www.manual-lib.com>

<http://www.404manual.com>

<http://www.luxmanual.com>

<http://aubethermostatmanual.com>

Golf course search by state

<http://golfingnear.com>

Email search by domain

<http://emailbydomain.com>

Auto manuals search

<http://auto.somanuals.com>

TV manuals search

<http://tv.somanuals.com>