

Tefal®

QUICK & HOT



F

GB

D

NL

I

DK

S

N

FIN

www.tefal.com

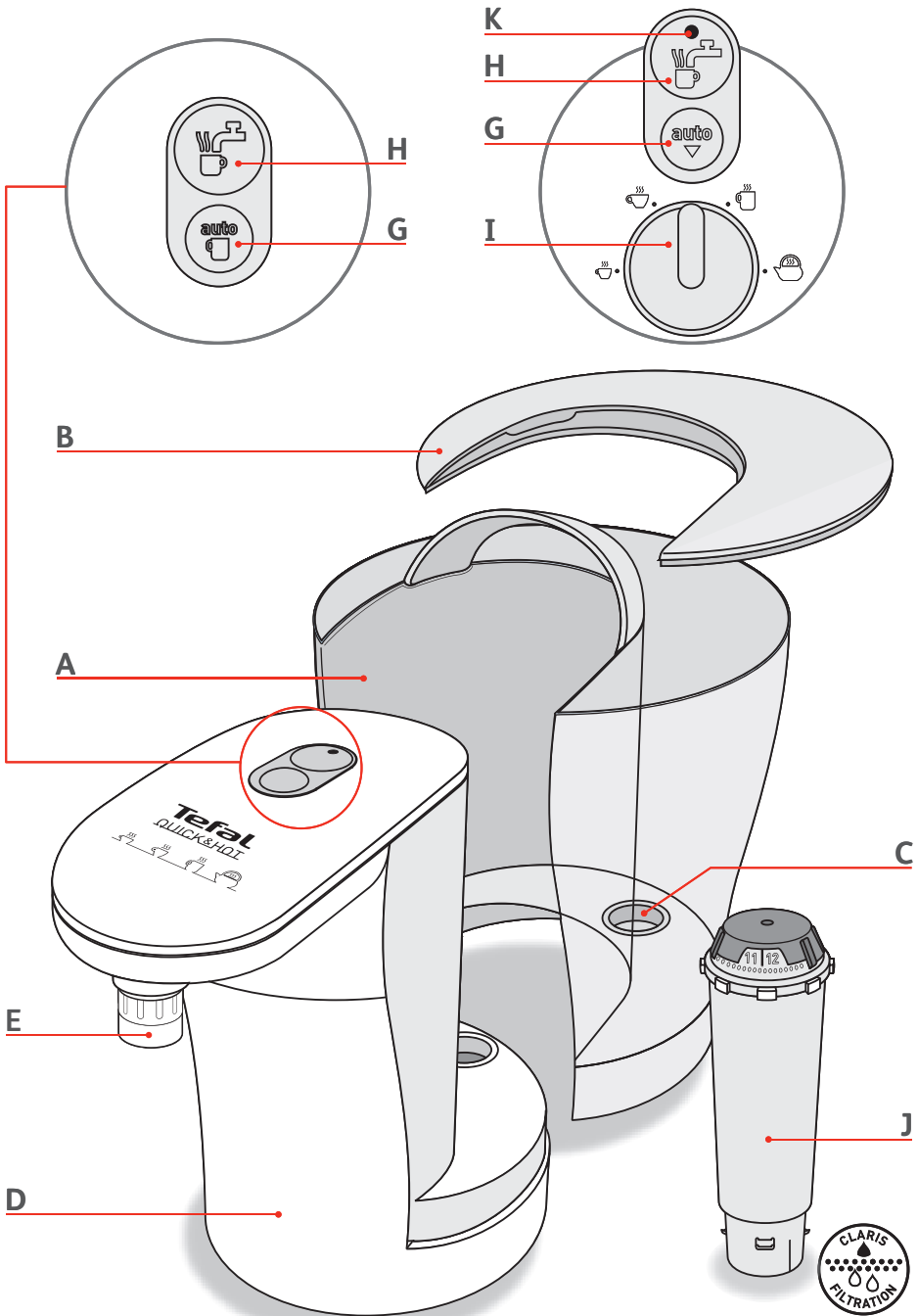




fig.1a

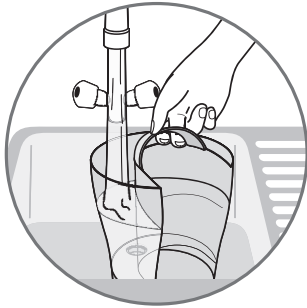


fig.1b



fig.2



fig.3

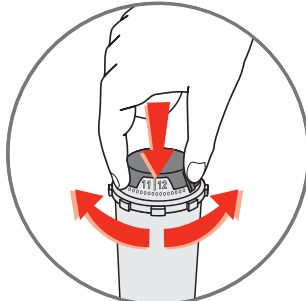


fig.4

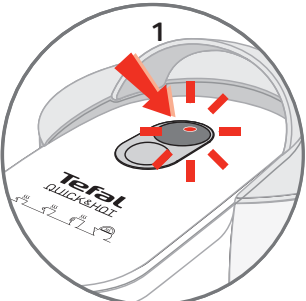


fig.5

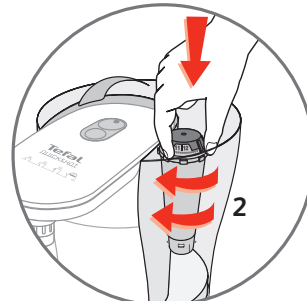


fig.6

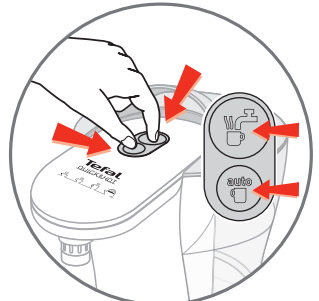


fig.7



fig.8

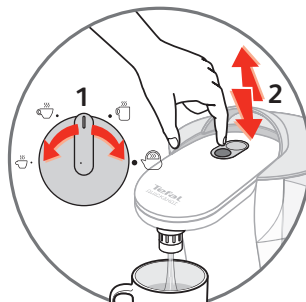


fig.9

Thank you for purchasing this Quick and Hot water urn. Please read the instructions common to all of our models carefully and keep them in a safe place.

PRODUCT DESCRIPTION (fig. 1)

- | | |
|---------------------------------|--|
| A water tank | G automatic mug button for pre-setting quantity |
| B tank lid | H manual “continuous water supply” button |
| C water release valve | I water volume selector (according to model) |
| D body of the appliance | J filter cartridge (according to model) |
| E nozzle or water outlet | K ON/OFF and filter cartridge change light (according to model) |

RINSING BEFORE USING FOR THE FIRST TIME

- 1 Remove all of the packaging, stickers and accessories from the interior and exterior of the appliance.
- 2 Remove tank **A** and clean it in water, taking care that no particles remain in the tank.
- 3 Then fill the tank **A** with cold water and reposition it firmly on its base **D** making sure that the release valve **C** is properly engaged (fig. 1a, 1B and 2).
- 4 Plug in the appliance to an electrical supply of the correct voltage.
- 5 Place a container that holds approximately 1.5 litre under tap **E**.
- 6 Press the continuous water supply button **H**: hot water will begin to run out (fig. 3).
When operating for the first time, it is normal that a little steam escapes from nozzle **E**.
- 7 When the container is almost full, release the continuous water supply button **H** to stop the flow. Discard the water.

INSTALLING THE CLARIS FILTER CARTRIDGE (according to models)

- We advise you to get the best taste and service lifetime of your appliance by using the Claris - Aqua Filter System cartridge. This cartridge contains an anti-lime substance and activated carbon that reduces chlorine, impurities, lead, copper, pesticides, etc. that are present in water. Minerals and trace elements, however, are preserved.
- 1 Unwrap cartridge **J**. Take note of the month in which the cartridge is put in use by sliding the upper ring of the filter to the use start date (fig. 4). You should change your Claris Filter Cartridge every 4 to 6 weeks (or every 50 litres), according to the hardness of your water.
Certain models also have an indicator light **K** which indicates when it is necessary to change the cartridge. For these models, when this light **K** flashes during use, it is time to change the cartridge (fig. 5).
 - 2 Position the cartridge in tank **A** and screw the cartridge **J** a quarter turn into the bottom of the tank.
 - 3 To replace the cartridge, remove the used cartridge and fit a new Claris AquaFilter system cartridge sold as an accessory (Ref. XH 5000) (fig. 6).
 - 4 For models with an indicator light, it is necessary to record the change of the cartridge by simultaneously pressing the “continuous water supply” button and the mug pre-select button **G** for 5 seconds (fig. 7).
After 5 seconds, the indicator light will go out. The appliance will then have recorded the cartridge change.
- The Claris AquaFilter cartridge can be installed in all Tefal water urns, including those that did not have it on purchase.

GETTING STARTED

- Do not fill the tank with hot water, milk or any other liquid
 - Make sure that no foreign body such as grit or small particles gets into the water tank: any damage arising from foreign bodies having entered the tank is excluded from the guarantee.
 - Make sure that the water is fresh so that it has not had time to become stagnant or in contact with the air and that it is odour free
 - Never remove the tank while the appliance is in operation.
 - If you use an entire tank of water all at once (approximately 1.5 litres), let the appliance rest for 10 minutes before launching a new cycle
- Place the appliance on a flat, stable, heat resistant surface away from water splashes and any sources of heat.
 - 1 – Put the appliance into the mains.
 - 2 After having removed the lid **B**, remove and fill the tank **A** with cold water (fig. 1a and b).
 - 3 Put the tank back in place by pressing firmly and reposition the lid **B** (fig. 2).
 - 4 Place the desired container under the nozzle **E** (fig. 8).
 - 5 Press “continuous water supply” button **H** and you will instantly obtain hot water (fig. 3).
Keep it held down until you get the amount of hot water you want. Hot water will stop running as soon as you release the button.
 - 6 You can also use the automatic setting button with a pre-set quantity for mugs. In this case, briefly press button **G**. The appliance will instantly provide the quantity needed to fill a mug and stop automatically. If you wish, stop the water before the end of the cycle, then again press the same automatic button **G** (fig. 8).
 - 7 Models equipped with a quantity selector offer an additional function: you can adjust the amount of water automatically delivered to your container. To do this, select the chosen amount on the selector **I**, then press the automatic mug button **G**; the water flow will stop automatically (fig. 9).
 - 8 If you use small cups, we advise you to bring the cup in close to tap **E** to avoid splashing.

DESCALING your appliance

In order to optimise the lifetime of your appliance, we recommend that you descale it at least every 2 months. Descaling should be carried out more frequently if you live in a very hard water area.

To de-scale:

- 1 Remove the Claris filter cartridge (fig. 6).
- 2 Place a container with at least 1.5 litre under the spout.
- 3 Empty the tank **A** if it is still full of water, then reposition it on its base (fig. 2).
- 4 Pour 1 litre of commercially available white vinegar at 8° into the tank.
- 5 Press the continuous water supply button **H** and the mug pre-select button **G** simultaneously for at least 10 seconds (fig. 7).
- 6 The descaling cycle thus run automatically for approximately 10 minutes
- 7 When the cycle has come to an end, empty the container and refill the water tank to a maximum. Press the “continuous water supply” button **H** to relaunch a new operation for rinsing the appliance (fig. 3).
- 8 Once the last cycle has finished, reposition the Claris cartridge and your appliance will again be ready (fig. 6).

Never use any other de-scaling method than that recommended.

CLEANING AND MAINTENANCE

Do not immerse the appliance in water
Do not put the appliance in the dishwasher

- Systematically disconnect the power supply cord before any maintenance operation. Then clean the appliance with a damp cloth.

What to do if there is a PROBLEM

Problems	Probable causes	Corrective actions
Appliance makes a strange noise	No more water left in tank	Fill tank
	Tank is incorrectly fitted	Press the tank firmly to engage again
Water flows too slowly or not at all	Not enough water in tank	Fill tank
	The tank is not fitted correctly	Press the tank firmly to engage again
	The appliance is coated with scale	Descale appliance
Water is cold	The appliance is coated with scale	Descale appliance

IF YOUR APPLIANCE IS DROPPED, HAS LEAKS OR IF THE POWER SUPPLY CORD OR PLUG ARE VISIBLY DAMAGED

Return your appliance to your authorised Service Centre. See the warranty conditions and the list of centres in the handbook provided with your appliance.

The type and series number are shown on the base of your model.

This product has been designed for domestic use only. Any commercial use, inappropriate use or failure to comply with the instructions, the manufacturer accepts no responsibility and the guarantee will not apply.

Do not use the appliance. No attempt must be made to disassemble the appliance or safety devices.

IMPORTANT: SAFETY INSTRUCTIONS

- Carefully read the operating instructions before first use of the appliance and keep them in a safe place: Tefal shall not be held responsible for incorrect use.
- Only connect the appliance to an earthed socket. Check that the power supply voltage shown on the appliance’s rating plate corresponds to that of your installation
- Take care not to place the appliance on a hot surface like a hot-plate or use it close to a naked flame.
- Immediately take the plug out from the mains if the appliance does not function correctly.
- Do not pull the power supply cable to remove the plug.
- Do not let the power supply cord hang down on the edge of a table or a work surface.
- Do not place your hand or the power supply cord on the hot parts of the appliance.
- Never soak the appliance, the cord or electrical plug in water or other liquid.
- Keep the appliance out of reach of children and certain disabled persons do not let the cord hang down.
- Do not use the appliance if the power supply cord or the appliance itself are damaged.
- To avoid any danger, do not use the appliance if the power supply cord or plug are damaged. It is compulsory to have the power supply cord replaced by a TEFAL authorised centre.
- Always refer to the instructions to de-scale the appliance.

- Protect the appliance against humidity and frost.
- Do not use the appliance if it does not operate correctly or if it has been damaged. In such an event, you are advised to have the appliance examined by a TEFAL authorised centre (see list in TEFAL Service handbook).
- Except for cleaning and scale removal in accordance with the procedures for use of the appliance, any intervention on it must be performed by a TEFAL authorised centre.
- Any error in electrical connection cancels the warranty.
- Disconnect the appliance as soon as you have finished using it for a while or when cleaning.
- All appliances are subject to severe quality inspection. Practical tests using appliances taken at random are conducted and this may explain any marks showing prior use.
- You are advised not to use multiple sockets and/or extension cords.
- This appliance is not intended for use by persons (including children) with reduced physical, sensory or mental capabilities, or lack of experience and knowledge, unless they have been given supervision or instruction concerning use of the appliance by a person responsible for their safety." Children should be supervised to ensure that they do not play with the appliance.

SAFETY LIMITS

This hot water dispenser must only be used with water in the tank. Tefal accepts no responsibility for any damage resulting from the appliance being used for unauthorised purposes, faulty connections, dangerous manipulations, operations and repairs. The maintenance warranty will be void in such circumstances. This appliance is intended for domestic use inside the home only. It is not designed for commercial or professional use.

PREVENTING DOMESTIC ACCIDENTS

To avoid accidents, do not carry your child or baby when drinking or carrying a hot drink.

Even slight burns can sometimes be serious for children. As they grow up, teach your children to take great care with hot liquids they may encounter in the kitchen. Place the appliance and power cord well behind the work surface outside reach of children and certain disabled persons. If an accident occurs, immediately apply cold running water to the burn and call a medical doctor if necessary.

PROTECTING THE ENVIRONMENT



Let's all help protect the environment!



Your appliance contains valuable materials which can be recovered or recycled.



Take it to a local civic waste collection point or an authorised service centre for it to be recycled.

Free Manuals Download Website

<http://myh66.com>

<http://usermanuals.us>

<http://www.somanuals.com>

<http://www.4manuals.cc>

<http://www.manual-lib.com>

<http://www.404manual.com>

<http://www.luxmanual.com>

<http://aubethermostatmanual.com>

Golf course search by state

<http://golfingnear.com>

Email search by domain

<http://emailbydomain.com>

Auto manuals search

<http://auto.somanuals.com>

TV manuals search

<http://tv.somanuals.com>