

WATER PROOF DIGITAL MUSIC PLAYER

MPaxx 928 Hydrox



AUS GUTEM GRUND

GRUNDIG

CONTENTS

3 MPaXX 928 HYDROX

- 3 Supplied accessories
- 3 Special features
- 3 Information and safety

4 OVERVIEW

- 4 Controls

5 CONNECTION AND PREPARATION

- 5 Power supply
- 5 Connecting to a computer
- 6 Disconnecting from the computer
- 6 Connecting earphones

7 GENERAL FUNCTIONS

- 7 Switching on and off
- 7 Adjusting the volume
- 7 Activating and deactivating the key lock
- 7 Resetting the player

8 MUSIC PLAYBACK

- 8 Starting music playback
- 8 Playback functions
- 8 Selecting tracks
- 8 Fast forward and reverse search
- 8 Selecting sound settings
- 8 Repeat Function
- 8 Shuffle Function

9 OPERATING WITH A COMPUTER

- 9 System requirements
- 9 MP3/WMA data transfers

10 INFORMATION

- 10 Technical data
- 10 Environmental note

Supplied accessories

- 1 Water-resistant stereo earphones
- 2 USB adapter
- 3 Arm band
- 4 Earbud set
- 5 Brief instructions

Warning:

- Always use the device with the supplied USB adapter, otherwise the device and the PC may be damaged. When you need a new USB adapter, please consult GRUNDIG dealer or service center.

Note:

- The accessory components supplied can change.

Special features


Combined MP3/WMA player and USB removable medium.

It is suitable for use in the shower, bath or while swimming on the surface in a pool or in the sea.

Information and safety

- This device is designed to play music files and serves as a removable storage medium. Any other use is expressly prohibited.
- This device is waterproof. It is necessary that the earphone jack is plugged into the socket before using it in the water. Check the correct fitting to the earphone jack.
- Do not drop the device.
- Do not place the device near magnetic objects.
- Make sure that the equipment is protected from sunlight and heat.
- Never open the device casing. No warranty claims are accepted for damage caused by improper handling.
- Do not expose the batteries to extreme heat, caused for example by direct sunlight, heaters or fire.

- After using the device in seawater, please clean the device and the earphones with drinking water. The earphone must be plugged in the socket. Do not use any cleaning agents.
- The device is waterproof down to a depth of 3 meters for 3 hours.
- The water may enter into the earphone and turn the volume down when you are swimming. Remove the water inside the earphone to turn up the volume.
- Do not disconnect the USB adapter or the earphone from the device by pulling on the cord. Make sure that you pull on the connector.
- Keep the player out of the reach of babies and small children. There is a risk that they may swallow it.
- Do not contact with chemicals such as benzene, thinner, etc.
- Make sure that the connecting socket for the earphones or the USB adapter is dry before connecting the device to the computer. Otherwise the system will not work correctly.

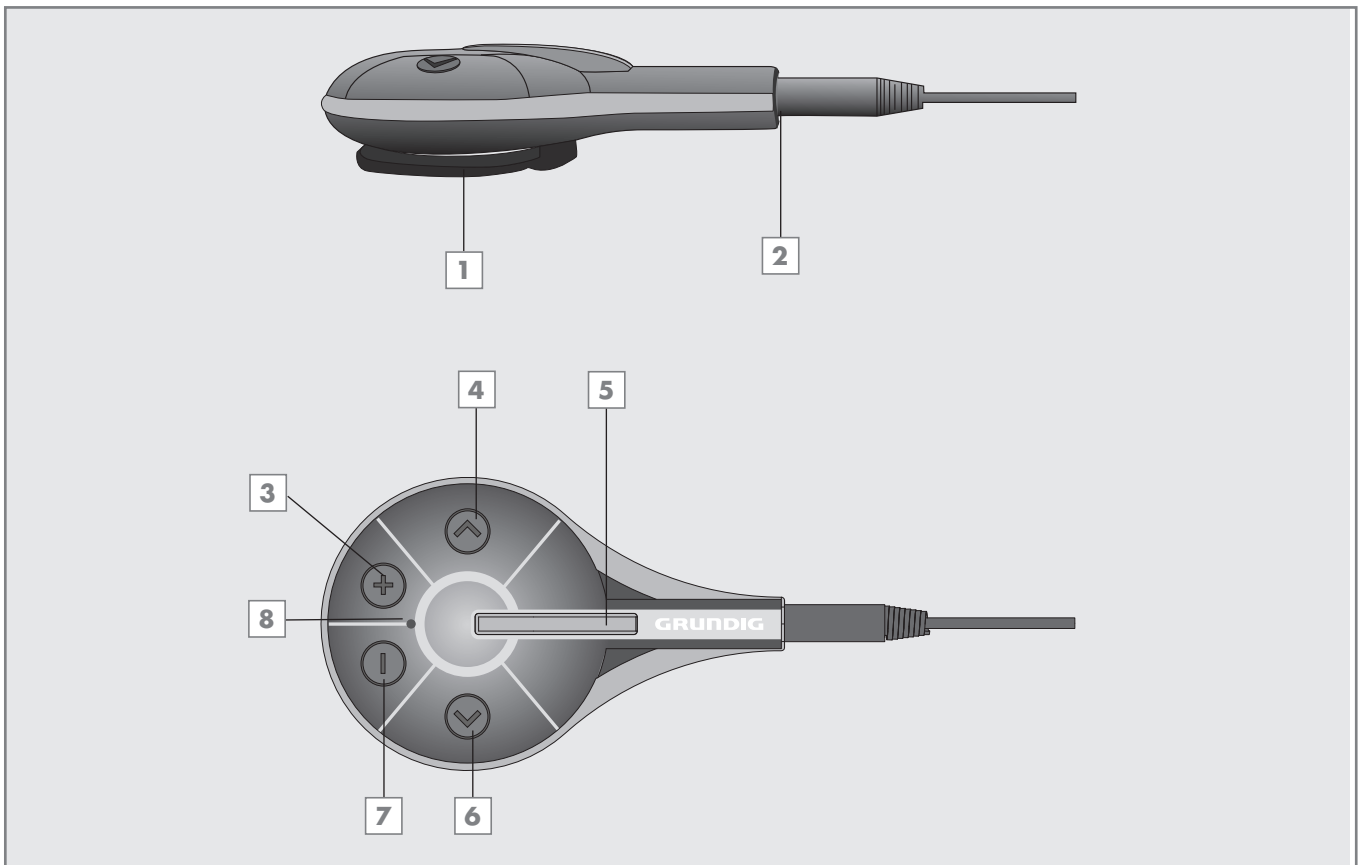
-  Excessive volume levels when using headphones or earphones can damage your hearing.

Note:

- Do not use the player if you are a motorist, cyclist or pedestrian etc. in traffic. This impairs road safety.

OVERVIEW

Controls



- 1** Clip for fastening the player to your belt or on the bracelet.
- 2** Connecting socket for the stereo earphones or the USB adapter, for connecting the player to the computer or a standard USB charger.
- 3** + In playback mode: press briefly to increase the volume incrementally; press and hold down to switch between sound effects; In pause mode: press briefly to enable the repeat function.
- 4** < In playback mode: press briefly to select the previous track; press and hold down to start the reverse search.
- 5** Play button: Press and hold down to switch the player on and off. In playback mode: switches to pause; resumes playback.
- 6** > In playback mode: press briefly to select the next track; press and hold down to start the forward search.
- 7** - In playback mode: press briefly to reduce the volume incrementally; press and hold down to activate or deactivate the key lock; In pause mode: press briefly to enable the shuffle function.
- 8** ● LED indicator: flashes up during charging or playback; lights up constantly when the battery is fully charged; lights up constantly when playback is paused.

CONNECTION AND PREPARATION

Power supply

The player operates with the integrated lithium-polymer battery 1 x 3.7 V, 120 mA.

Warning:

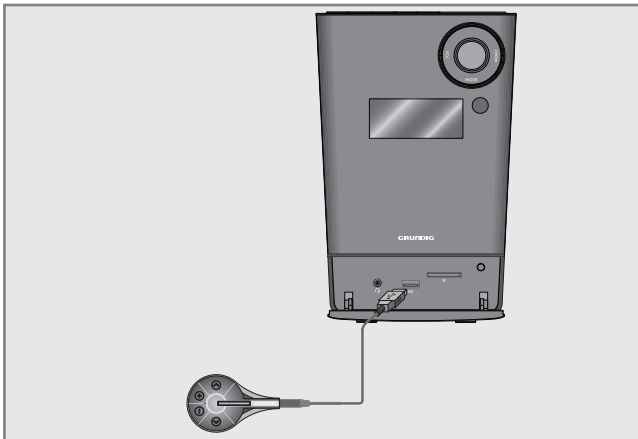
- Always use the device with the supplied USB adapter, otherwise the device and the PC may be damaged. When you need a new USB adapter, please consult GRUNDIG dealer or service center.
- Make sure that the connecting socket for the earphones or the USB adapter is dry before connecting the device to the computer. Otherwise the system will not work correct.

Charging the battery

Charge the battery for the player on a computer.

You can also charge the battery by connecting it to a standard USB charger using the USB adapter.

- 1 Connect the socket on the player to the USB socket on the computer or hi-fi system using the USB adapter supplied or plug the charger lead into the USB adapter of the player.



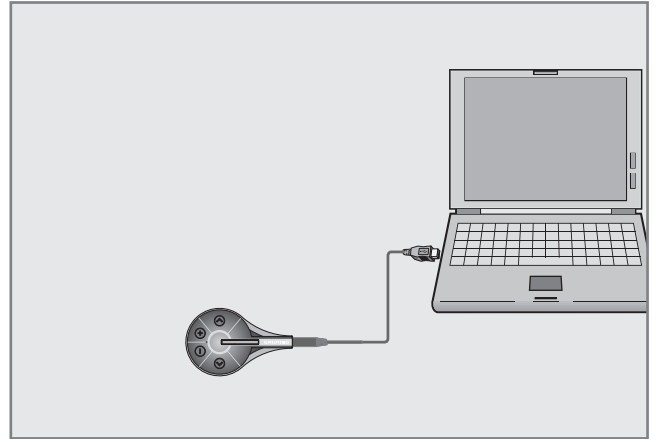
- 2 Switch on the computer or hi-fi or connect the charger to the power supply.
 - The LED on the player flashes during the charging procedure. The charging time is approximately two hours. When the battery is fully charged, the LED lights up constantly.

Note:

- The playing time is more than 7 hours when the player is fully charged.

Connecting to a computer

- 1 Switch on the computer.
- 2 Switch off the player.
- 3 Connect the socket on the player to the USB socket on the computer using the USB adapter.



- A display appears on the computer screen as soon as the connection is made.

CONNECTION AND PREPARATION

Disconnecting from the computer

Warning:

- If you use the USB adapter; first connect the USB adapter to the device and then to PC. If you disconnect the USB adapter, first disconnect it from the PC and then from the device. Otherwise the device may be damaged.

If there is no data transfer in progress, you can disconnect the player from the computer.

You must first remove the player from the Windows desktop by following the Windows instructions for "Removing hardware".

Note:

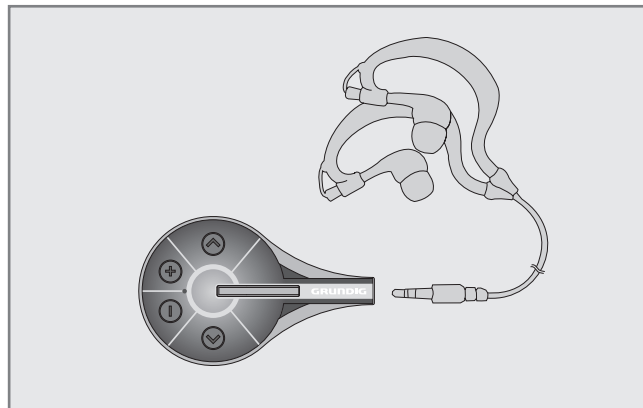
- Do not disconnect the player from the computer while data transfer is in progress. This can damage the data irreparably.
- 1 Double click the icon for removing hardware.
 - The "Remove hardware" window appears.
 - 2 To continue, follow the instructions on the screen.

Note:

- The circuits of the player and the computer can be seriously damaged if you do not follow the instructions for Windows ME / 2000 / XP / Vista / Windows 7.

Connecting earphones

- 1 Plug the earphones into the socket » 2 « on the player.



Note:

- Prolonged listening at loud volumes with the earphones can damage your hearing.

Switching on and off

- 1 To switch on the player, press and hold down »**5**«.
 - The LED switches on and starts flashing.
 - Playback automatically resumes with the track which was played when the player switched off.
 - The LED flashes during playback.
- 2 To switch off the player, press and hold down the play button »**5**« (hold it for 2 seconds)
 - The LED disappears.

Notes:

- When you switch the player on again, playback starts at the same point as when it was switched off.
- The player automatically switches off when the battery is low.

Adjusting the volume

- 1 To adjust the volume, press »+« or »-« as many times as necessary during playback.

Activating and deactivating the key lock

When the key lock is activated, all the buttons on the player are disabled.

- 1 To activate the key lock, press and hold down »-«.
- 2 To deactivate the key lock, press and hold down »-« again.

Resetting the player

In the event of a malfunction during operation or if the player no longer responds to key commands, you can reset the player.

- 1 To reset the device, press »<<« and »>>« at the same time.

Note:

- When resetting, the player should not be connected to the computer or the USB charging device.

MUSIC PLAYBACK

Starting music playback

When you switch on the player, playback automatically resumes with the track which was played when the player switched off.

- The LED flashes during playback.
- All the music files are played in succession.

Playback functions

- 1 To pause playback, briefly press the play button »**5**«.
 - The LED lights up constantly.
- 2 To resume playback, briefly press the play button »**5**« again.
 - The LED flashes.
- 3 To end playback, switch off the player by pressing the play button »**5**« (and holding it down for 2 seconds).
 - The LED disappears.

Selecting tracks

- 1 To select the previous or next track, briefly press »<< or >>«.

Fast forward and reverse search

- 1 To search for a passage in a track, press and hold »<< or >>« during playback.
 - The fast forward or reverse search begins.
- 2 Release »<< or >>« at the position you want.

Selecting sound settings

You can choose between the preset sound settings Jazz, Rock, Classic, Pop and Bass.

- 1 To switch between the sound effects, press and hold down »+«.

Repeat Function

While music playing is paused

- 1 Press the »+« button.
- 2 Press the play button »**5**« to resume playing.
 - The player will repeat all songs.

Shuffle Function

While music playing is paused

- 1 Press the »-« button.
- 2 Press the play button »**5**« to resume playing.

System requirements

When connected to a computer, the player appears as a removable disk drive. This corresponds to the player's flash memory. Your computer should meet the following requirements:

- Windows 2000 / ME / 98 (driver installation needed) / XP / Vista / Windows 7, Mac OS 10 or higher, Linux 9 or higher.
- Microsoft DirectX 9.0 or higher
- Microsoft Media Player 9.0 or higher
- CD-ROM drive 4x or higher
- Pentium MMX 200 or higher
- Minimum 120 MB free hard disk memory
- USB interface

MP3/WMA data transfers

- 1 Select the MP3/WMA files on your computer for copying.
- 2 Highlight the files.
- 3 Right-click and select »Copy«.
- 4 Open a removable disk drive (e.g. H:) on your computer.
- 5 Right-click the mouse to transfer the files onto the removable disk drive (e.g. H:).

Note:

- WMA files protected by DRM (Digital Rights Management) cannot be played.

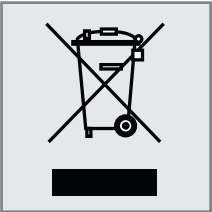
Technical data



This product fulfils the European directives 2004/108/EC and 2006/95/EC.

The type plate is located on the back of the device.

Environmental note



This product has been made from high-quality parts and materials which can be re-used and are suitable for recycling.

Therefore, do not dispose the product with normal household waste at the end of its service life. Take it to a collection point for the recycling of electrical and electronic equipment. This is indicated by this symbol on the product, in the operating manual and on the packaging.

Please find the closest collection points operated from your local authority.

Help protect the environment by recycling used products.

Power supply

Rechargeable battery: 1 x 3.7 V, lithium polymer.

Output

2x4,4 mW/32 Ohm (earphones)

Noise voltage ratio

> 85dB

Internal memory

2 GB

MP3/WMA

Formats: MP3, WMA (playback)

MPEG bit rates: 8-320 kbps,

WMA: 32-384 kbps

File system: FAT 32

USB

USB PC: 2.0 HighSpeed

Frequency response

20 Hz ... 20 kHz (128 kbps)

Dimensions and weight

L x W x H: 69.5 x 43 x 16 mm (19.0 mm with clip)

Weight approx. 25 g

Technical and design modifications are reserved.

Grundig Intermedia GmbH
Beuthener Strasse 41
90471 Nürnberg

www.grundig.com
72011 410 0600 12/49

AUS GUTEM GRUND
GRUNDIG

Free Manuals Download Website

<http://myh66.com>

<http://usermanuals.us>

<http://www.somanuals.com>

<http://www.4manuals.cc>

<http://www.manual-lib.com>

<http://www.404manual.com>

<http://www.luxmanual.com>

<http://aubethermostatmanual.com>

Golf course search by state

<http://golfingnear.com>

Email search by domain

<http://emailbydomain.com>

Auto manuals search

<http://auto.somanuals.com>

TV manuals search

<http://tv.somanuals.com>