

GRUNDIG

CLASSIC 960 ANNIVERSARY EDITION



GRUNDIG

Lextronix / Grundig

P.O. Box 2307, Menlo Park, CA 94026

Phone 650-361-1611 • Fax 650-361-1724

Shortwave Hotlines: (US) 1-800-872-2228

(CN) 1-800-637-1648

www.grundigradio.com

OPERATION MANUAL



HOW TO USE YOUR GRUNDIG

CLASSIC 960 ANNIVERSARY EDITION

DO YOU NEED HELP? We've tried to make these instructions easy to follow. Please read them carefully.

If you need help call us toll free:

Monday-Friday, 8:30 a.m. - 4:00 p.m., Pacific Standard Time.

1-800-872-2228 from the U.S.

1-800-637-1648 from Canada

1-650-361-1611 from anywhere

In honor of our 50th Anniversary, Grundig commissioned this special Classic 960 Anniversary Edition radio: a replica of the original 1950's best selling radio, the Classic 960, known throughout the world for its fine styling and superb audio quality.

The design and styling for the Anniversary Edition are taken from the original. The cabinet is all wood, finely polished with hand painted trim. The speaker cloth is a remake of the original fabric. All decals are made of brass, right down to the trim rings and knobs.

The radio tuner and speakers were selected to give you the very best in technology and audio fidelity. WE are so sure that you will be pleased with the Anniversary Edition that we provide you with an unprecedented 1-year parts/labor warranty.



Thank you for purchasing the Grundig Classic 960 Anniversary Edition AM/FM shortwave Radio. This radio has been designed and manufactured to high quality standards, and will provide reliable operation for many years. Please carefully read the Owner's Operation Manual in order to take advantage of the many interesting features that will provide listening to radio broadcasts around the world.

Page #

OPERATION GUIDE

A CLASSICAL MUSICAL INSTRUMENT.....	6
ON AND OFF OPERATION	6
STATION SELECTION	6
VOLUME CONTROL	6
BAND SELECTION	6
TONE CONTROL	7
ANTENNA CONNECTIONS	7
AM RECEPTION	7
FM RECEPTION	7
SW AND FM RECEPTION FOR DIFFICULT AREAS	7
GETTING THE BEST SHORTWAVE RESULTS	8
FINE-TUNING SHORTWAVE STATIONS	8
FOR CD CONNECTION	8
ATTACHING THE EXTERNAL ANTENNA	8
TECHNICAL DETAILS	9
PRECAUTIONS	9
WARNING.....	10
IMPORTANT SAFEGUARDS FOR AUDIO PRODUCTS	11
SERVICE INFORMATION.....	14
ONE YEAR LIMITED WARRANTY	14

CLASSIC 960 MUSICAL INSTRUMENT

The Classic 960 is an AM/FM shortwave table radio. The receiver is housed in a smoothly styled wooden cabinet.

With the built-in tone controls you will be able to regulate the sound to suit your personal taste.

A few minutes spent reading carefully the instructions given in this booklet before turning on the receiver, will reward you with many hours of pleasant listening.

ON AND OFF OPERATION

The set is put into operation by simply turning the volume knob on. Twist slightly to the right until you hear a click. To shut the radio off, turn the volume knob counter clockwise until you hear a click.

STATION SELECTION

Choose the desired band, AM, FM or SW by pushing one of the selection buttons. After selecting a band, tune-in stations using the tuning knob.

VOLUME CONTROL

The volume can be adjusted with the large left-hand knob. Turn slowly clockwise to increase the volume, and counter clockwise to decrease it.

BAND SELECTION

The selection of the proper band is accomplished by pushing the push buttons as indicated on the dial scale.

Aux	= Auxiliary	
FM	= FM Band	87.5 to 108 MHz
SW2	= Shortwave	11.5 to 22 MHz
SW1	= Shortwave	4.5 to 12.5 MHz
MW	= Am Band	530 to 1710 KHz

TONE CONTROL

The tone of the receiver can be adjusted using the smaller knobs on the left and right of the set. The knob on the left is for treble control. The knob on the right is for bass control.

ANTENNA CONNECTIONS

In most metropolitan locations, the built-in antenna, combined with the high sensitivity of this receiver, should give excellent reception.

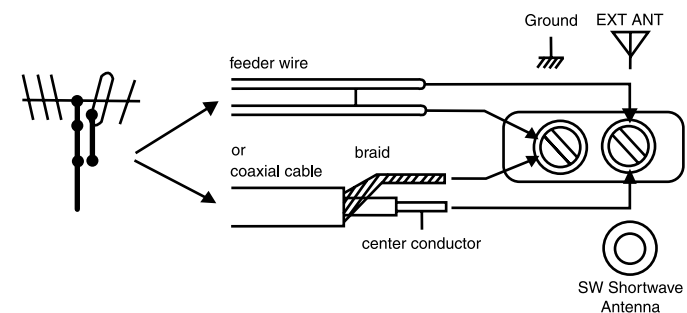
AM receptors: A built-in ferrite bar antenna is used. Since the antenna is directional, rotate the set horizontally for optimum reception, if necessary.

FM reception: Extend the attached AC power cord so that FM sensitivity will be increased, as the power cord has the function of an FM antenna.

SW and FM reception for difficult areas:

In a steel frame building, a mountainous area or at a long distance from a transmitter, reception may be unsatisfactory. In that case, a commercially available external antenna can be connected to the EXIT ANT terminals at the rear as illustrated.

For shortwave, a socket is on the back of the radio for the supplied auxiliary antenna. The antenna is housed in a black plastic container and when fully unrolled, is about 20 feet long. Always fully unroll for best results.



GETTING THE BEST SHORTWAVE RESULTS WITH YOUR GRUNDIG CLASSIC 960

Listening to shortwave stations on the Grundig Classic 960 is done just like it was back in the 1950's. Best results are in very late afternoon and at night with a long-wire antenna attached to the back of the radio. With this your Classic 960 will bring the world into your home! Some stations will be strong, others will fade in and out with an almost eerie sense to them. This is all part of the mystique of shortwave radio.

FINE TUNING SHORTWAVE STATIONS

Please be sure to read the materials that come with your Classic 960 to learn about shortwave bands, the best time for listening, etc. To get the best results when actually tuning in a station, please do the following.

This style shortwave tuner requires that you develop a "feel" for fine-tuning a station. On shortwave this is much more critical than on AM/FM. To do this, turn the tuning knob very, very slowly and deliberately.

Sometimes when trying to "capture" a station, you will zip right by it and have to back up and try to fine-tune it again. This is normal. Don't get discouraged, simply back up and try again. You will develop a feel for doing this a few times.

FOR CD CONNECTION

Special auxiliary inputs are provided for use with a CD player, tape, records or VCR. Connection requires standard RCA connectors when using inputs.

ATTACHING THE EXTERNAL ANTENNA

An auxiliary shortwave antenna is supplied with your Grundig Classic 960 it is housed in a black plastic container and, when fully unrolled is about 20 feet long. Always fully unroll it for best results.

1. Fully unroll the supplied shortwave antenna.
2. Plug it into the special shortwave antenna socket in the back of the radio.
3. Run the antenna wire as high off the floor as possible, back and forth across a window. Use the string clip, attached to the antenna's back plastic container, to hang the end of the antenna to a high point. Do not connect external antenna to an outside antenna.





TECHNICAL DETAILS

Power Requirements:	20V or, 60Hz
Power Output:	7.3W (at 10% harmonic distortion)
Tuning Ranges:	FM 88-108MHz AM 530-1710KHz SW 4.5-22MHz
Antenna:	Built-in ferrite bar antenna External antenna terminal
Dimensions:	15.25" L x 11.25" H x 6.5" D
Weight:	4.2KGs
Cabinet:	Polished wooden cabinet with hand painted trim
Speaker:	130mm 16 Ω 10W - 1 and 66mm 8 Ω 0.1W

PRECAUTIONS

- Operate the set only on 120V or 60Hz
- The nameplate including voltage, power consumption, etc. is located on the rear exterior.
- Unplug the set from wall outlet when it is not being used for an extended period of time. To disconnect the cord, put it out by grasping the plug. Never pull it by the cord.
- Do not install the set in a location near heat sources such as radiators or air ducts, or in a place subject to direct sunlight, excessive dust, mechanical vibration, or shock.
- Allow adequate air circulation to prevent internal heat build-up. Do not place the set on surfaces (rugs, blankets, etc.) or near materials (curtains, draperies) that may block the ventilation holes.
- Should liquid or solid object fall into the set, unplug the set and have the set checked by qualified personnel before operating it any further.
- When the wooden cabinet becomes soiled, clean it with a soft cloth dampened with a mild reputable furniture polish. Never use abrasive cleaners or chemical solvents, as they may mar the cabinet.
- When an external antenna is used, disconnect it from the antenna terminals of the set during a lightning storm, unless the installation incorporates a suitable lightning resistor.

WARNING: TO PREVENT FIRE OR SHOCK HAZARD. DO NOT EXPOSE THE UNIT TO RAIN OR MOISTURE.

	CAUTION RISK OF ELECTRICAL SHOCK DO NOT OPEN	
WARNING: TO REDUCE THE RISK OF ELECTRIC SHOCK. DO NOT REMOVE COVER (OR BACK). NO USER SERVICEABLE PARTS INSIDE. REFER SERVICING TO QUALIFIED SERVICE PERSONNEL.		
	This symbol is intended to alert the user to the presence of uninsulated "Dangerous Voltage" within this product's enclosure. That may be of sufficient magnitude to constitute a risk at electronic shock to persons.	
	This symbol is inserted to alert the user of the presence of important operating and maintenance (servicing) instructions in the literature accompanying the appliance.	

WARNING: TO PREVENT ELECTRIC SHOCK, DO NOT USE THIS POLARIZED AC PLUG WITH AN EXTENSION CORD, RECEPTACLE OR OTHER OUTLET UNLESS THE BLADES CAN BE FULLY INSERTED TO PREVENT BLADE EXPOSURE.

WARNING: TO PREVENT ELECTRIC SHOCK, MATCH WIDE, BLADE OF PLUG TO WIDE SLOT, FULLY INSERT.

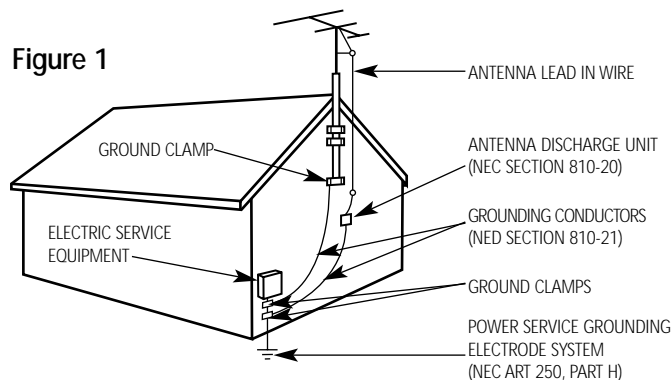
IMPORTANT SAFEGUARDS FOR AUDIO PRODUCTS

PLEASE READ CAREFULLY ALL THE FOLLOWING IMPORTANT SAFEGUARDS THAT ARE APPLICABLE TO YOUR EQUIPMENT.

1. **Read Instructions-** All the safety and operating instructions should be read before the product is operated.
2. **Retain Instructions-** The safety and operating instructions should be retained for future reference.
3. **Heed Warnings-** All warnings on the product and in the operating instructions should be adhered to.
4. **Follow Instructions-** All operating and use instructions should be followed.
5. **Water and Moisture-** The product should not be used near water - for example, near a bathtub, wash-bowl, kitchen sink, laundry tub, in a wet basement, or near a swimming pool and the like.
6. **Carts and Stands-** The product should be used only if a cart or stand is recommended by the manufactures.
- 6a. A product and cart combination should be moved with care. Quick stops, excessive force, and uneven surfaces may cause the product and cart combination to overturn.
7. **Wall or Ceiling Mounting-** The product should be mounted on a wall or ceiling only when and as recommended by the manufacturer.
8. **Ventilation-** The product should not be situated so that its location or position does not interfere with its proper ventilation. For example, the product should not be situated on a bed, sofa, rug, or similar surface that may block the ventilation opening; or, placed in a built-in installation, such as a bookcase or cabinet that may impede the flow of air through the ventilation openings.
9. **Heat-** The product should be situated away from heat sources such as radiators, heat registers, stoves or other products that produce heat. If placed near an amplifier, check with manufacturer for applicability.
10. **Power Sources-** The product should be connected to a power supply only of the type described in the operation instructions or as marked on the product.
11. **Grounding or Polarization-** Precautions should be taken so that the grounding or polarization means of a product is not defeated.



- 12. **Power Cord Protection-** Power-supply cords should be routed so that they are not likely to be walked on or pinched by items placed upon or against them, paying particular attention to cords at plugs, convenience receptacles, and the point where they exit from the product.
- 13. **Cleaning-** The product should be cleaned only as recommended by the manufacturer.
- 14. **Power Lines-** An outdoor antenna should be located away from power lines.
- 15. **Nonuse Periods-** The power cord of the product be unplugged from the outlet when left unused for a long time.
- 16. **Object and Liquid Entry-** Care should be taken so that the objects do not fall and liquids are not spilled into the enclosure through openings.
- 17. **Outdoor Antenna Grounding-** If an outside antenna is connected to the receiver, be sure the antenna system is grounded so far as to provide some protection against voltage surges and built up static charges. Article 810 of the National Electric Code, ANSI/NFPA 70, provides information with regard to proper grounding of the mast and supporting structure, grounding of the lead-in wire to an antenna discharge unit, size of grounding conductors, location of antenna discharge unit, connection to grounding electrodes, and requirements for the grounding electrode. **See figure 1.**



- 18. **Damage Requiring Service-** The product should be serviced by a qualified service personnel when:
 - a) The power-supply cord of the plug has been damaged; or
 - b) Object have fallen, or liquid has been spilled into the product; or
 - c) The product has been exposed to rain; or
 - d) The product does not appear to operate normally or exhibits a marked change in performance; or
 - e) The appliance has been dropped, or the enclosure damaged.

NOTE TO CATV SYSTEM INSTALLER

This reminder is provided to call the CATV system installer's attention to Article 820-22 of the NEC that provides guidelines for proper grounding and, in particular, specifies that the cable ground shall be connected to the grounding system of the building, as close to the point of cable entry as practical.

You may contact GRUNDIG Service Department for additional information or assistance by calling 1(800) 872-2228 in the U.S.A. or 1(800) 673-1648 in Canada. Monday through Friday, 8:30 a.m. - 4:00 p.m. (PST) except on holidays.

Should you want to return your unit for service, pack the receiver carefully using the original carton or other suitable container. Write your return address clearly on the shipping carton and on an enclosed cover letter describing the service required, symptoms or problems. Also, include your daytime telephone number and a copy of your proof of purchase. The receiver will be serviced under the terms of the GRUNDIG Limited Warranty and returned to you. Call for a Return Authorization prior to shipping your unit.

ONE YEAR LIMITED WARRANTY

GRUNDIG warrants to the original purchaser this product shall be free from defects in material or workmanship for one year from the date of original purchase.

During the warranty period GRUNDIG or an authorized GRUNDIG service facility will provide, free of charge, both parts and labor necessary to correct defects in material and workmanship. At their option, GRUNDIG may replace a defective unit.

- (1) Complete and send in the Warranty Registration Card within ten (10) days of purchase.
- (2) Call Lextronix or the nearest authorized service facility, as soon as possible after discovery of a possible defect. Have ready
 - (a) the model and serial number.
 - (b) the identity of the seller and the approximate date of purchase.
 - (c) a detailed description of the problem, including details on the electrical connection to associated equipment and the list of such equipment.

(3) Lextronix will issue a Return Authorization number and the address to which the unit can be shipped. Ship the unit in its original container or equivalent, fully insured and shipping charges prepaid.

Correct maintenance, repair, and use are important to obtain proper performance from this product. Therefore carefully read the Instruction Manual. This warranty does not apply to any defect that GRUNDIG determines is due to:

- (1) Improper maintenance or repair, including the installation of parts or accessories that do not conform to the quality and specification of the original parts.
- (2) Misuse, abuse, neglect or improper installation.
- (3) Accidental or intentional damage.
- (4) Battery leakage.

All implied warranties, if any, including warranties of merchantability and fitness for a particular purpose, terminate one (1) year from the date of the original purchase.

The foregoing constitutes GRUNDIG's entire obligation with respect to this product, and the original purchaser shall have no other remedy and no claim for incidental or consequential damages, losses, or expenses. Some states do not allow limitations on how long an implied warranty lasts or do not allow the exclusions or limitation of incidental or consequential damages, so the above limitation and exclusion may not apply to you.

This warranty give you specific legal rights and you may also have other rights which vary from state to state.

For service information contact:

LEXTRONIX, INC.

3520 Haven Avenue, Unit L
Redwood City, CA 94063-4605 U.S.A.
1 (650) 361-1611

Customer Service Center Phone:

1 (800) 872-2228 (U.S.A.) or 1 (800) 637-1648 (Canada)

Telefax:

1 (650) 361-1724

World Wide Web Site:

<http://www.grundigradio.com>



UTILISATION DE VOTRE GRUNDIG

ÉDITION ANNIVERSAIRE DE LA CLASSIC 960

VOUS AVEZ BESOIN D'AIDE ? Nous avons essayé de rendre ce mode d'emploi facile à utiliser. Veuillez le lire soigneusement.

Si vous avez besoin d'aide, appelez-nous gratuitement :

du lundi au vendredi, de 8 h 30 à 16 h, heure normale du Pacifique

1 800 872-2228 aux États-Unis

1 800 637-1648 au Canada

1 650 361-1611 partout ailleurs

En honneur de notre 50^e anniversaire, Grundig a commandé cette édition spéciale de la radio Classic 960 : une réplique du modèle original de la radio de 1950 la plus vendue, la Classic 960, célèbre dans le monde entier pour l'élégance de son style et la qualité superbe de son acoustique.

Le concept et le style de l'édition anniversaire sont tirés du modèle original. Le coffret est entièrement en bois finement poli avec une garniture peinte à la main. L'étoffe du haut-parleur est une refabrication de l'étoffe originale. Tous les décalques sont fabriqués en laiton, jusqu'aux anneaux et boutons de la garniture.

Le syntoniseur et les haut-parleurs de la radio ont été sélectionnés afin de vous offrir une technologie et une fidélité sonore de la plus haute qualité. NOUS sommes tellement certains que vous serez ravis par l'édition anniversaire que nous vous offrons une garantie d'un an pour les pièces et la main d'œuvre sans précédente.



Merci d'avoir acheté la radio Édition anniversaire de Classic 960 AM/FM (ondes courtes). Cette radio a été conçue et fabriquée selon des normes de haute qualité et fonctionnera de manière fiable pendant de nombreuses années. Veuillez lire soigneusement le mode d'emploi afin de profiter des nombreuses fonctions intéressantes qui vous permettront d'écouter des émissions de radio partout dans le monde.

N° de page

GUIDE D'UTILISATION

LA CLASSIC 960 : UN INSTRUMENT DE MUSIQUE	20
ALLUMER ET ÉTEINDRE LE POSTE	20
SÉLECTION DES STATIONS	20
RÉGLAGE DU VOLUME	20
SÉLECTION D'UNE BANDE	20
RÉGLAGE DE LA TONALITÉ	21
PRISES D'ANTENNE	21
RÉCEPTEURS AM	21
RÉCEPTION FM	21
RÉCEPTIONS ONDES COURTES ET FM DANS LES ENDROITS DIFFICILES	21
OBTENIR LES MEILLEURS RÉSULTATS	22
SYNTONISATION DE PRÉCISION DES STATIONS À ONDES COURTES	22
POUR LE BRANCHEMENT D'UN LECTEUR DE DISQUES COMPACTS	22
FIXATION DE L'ANTENNE EXTERNE	22
DONNÉES TECHNIQUES	23
PRÉCAUTIONS	23
MISES EN GARDE	24
MESURES DE SÉCURITÉ IMPORTANTES	25
RENSEIGNEMENTS SUR LES SERVICES	28
GARANTIE LIMITÉE D'UN AN	28

LA CLASSIC 960 : UN INSTRUMENT DE MUSIQUE

La Classic 960 est une radio de table AM / FM (ondes courtes). L'ampli-sintoniseur est logé dans un coffret en bois au style élégant.

Grâce aux réglages de tonalité intégrés, vous serez en mesure de régler le son pour l'adapter à vos goûts personnels.

Quelques minutes passées à lire les instructions données dans le présent livret avant d'allumer le poste vous récompenseront par de nombreuses heures de plaisir d'écoute.

ALLUMER ET ÉTEINDRE LE POSTE

Le poste est allumé en tournant tout simplement le bouton du volume en position « on ». Pivotez légèrement vers la droite jusqu'à ce que vous entendiez un clic. Pour éteindre la radio, tournez le bouton du volume dans le sens contraire des aiguilles d'une montre.

SÉLECTION DES STATIONS

Choisissez la bande désirée AM, FM ou ONDES COURTES en appuyant sur un des boutons de sélection. Après avoir sélectionné une bande, réglez les stations à l'aide du bouton de réglage.

RÉGLAGE DU VOLUME

Vous pouvez régler le volume à l'aide du gros bouton de gauche. Tournez-le lentement dans le sens des aiguilles d'une montre pour augmenter le volume et dans le sens contraire des aiguilles d'une montre pour le diminuer.

SÉLECTION D'UNE BANDE

La sélection de la bande adéquate s'effectue en appuyant sur un des boutons-poussoir tel qu'indiqué par l'échelle du cadran.

AUX	= Auxiliaire	
FM	= Bande à modulation de fréquence	88 à 108 MHz
SW2	= Ondes courtes	11,5 à 22 MHz
SW1	= Ondes courtes	4,5 à 12,5 MHz
MW	= Bande à modulation d'amplitude	530 à 1 710 KHz

RÉGLAGE DE LA TONALITÉ

La tonalité du récepteur peut être réglée à l'aide des petits boutons situés à droite et à gauche sur le poste. Le bouton de gauche est pour le réglage des aigus. Le bouton de droite est pour le réglage des graves.

PRISES D'ANTENNE

L'antenne intégrée, associée à la haute sensibilité de ce poste, devrait permettre une excellente réception dans la plupart des emplacements métropolitains.

RÉCEPTEURS AM : Une antenne intégrée à ferrite est utilisée. Puisque l'antenne est directionnelle, pivotez le poste horizontalement pour une réception optimale au besoin.

RÉCEPTION FM : Allongez le cordon d'alimentation c.a. attaché pour augmenter la sensibilité FM, car le cordon d'alimentation sert d'antenne FM.

RÉCEPTIONS ONDES COURTES ET FM DANS LES ENDROITS DIFFICILES :

Dans un édifice à charpente d'acier, une région montagneuse ou à une distance éloignée de l'émetteur, la réception peut ne pas être satisfaisante. Dans ce cas, une antenne externe vendue dans le commerce peut être branchée aux bornes EXIT ANT à l'arrière tel qu'illustré.

Pour les ondes courtes, une douille se trouve à l'arrière de la radio pour l'antenne auxiliaire fournie. L'antenne est logée dans un contenant en plastique noir, et une fois déroulée, mesure environ 20 pieds de long. Déroulez-la toujours entièrement pour obtenir de meilleurs résultats.

[Diagram] to come

OBTENIR LES MEILLEURS RÉSULTATS POUR LES ONDES COURTES AVEC VOTRE GRUNDIG CLASSIC 960

Écouter des stations aux ondes courtes sur votre Grundig Classic 960 s'effectue exactement de la même manière que dans les années 1950. Les meilleurs résultats s'obtiennent en fin d'après midi ou pendant la nuit avec une antenne longue branchée à l'arrière de la radio. Ainsi, votre Classic 960 fera pénétrer le monde dans votre domicile ! Certaines stations seront fortes et d'autres monteront et s'affaibliront, ce qui leur donnera un caractère quasi sinistre. Ceci fait entièrement partie de la mystique des radios à ondes courtes.

SYNTONISATION DE PRÉCISION DES STATIONS À ONDES COURTES

Veuillez lire les documents qui sont joints à votre Classic 960 pour apprendre comment fonctionnent les bandes à ondes courtes, le meilleur moment pour les écouter, etc. Pour obtenir les meilleurs résultats pour la syntonisation de précision d'une station, veuillez procéder comme suit.

Ce style de syntoniseur d'ondes courtes requiert que vous développiez un sens de la syntonisation de précision d'une station. Ceci est bien plus important pour les ondes courtes que pour les bandes AM / FM. Dans cette perspective, tournez le bouton de syntonisation très, très lentement délibérément.

Parfois, lorsque vous essayez de capter une station, vous la manquerez et devrez retourner en arrière et tentez de nouveau la syntonisation de précision. C'est normal. Ne vous découragez pas, retournez simplement en arrière et essayez de nouveau. Vous développerez un sens de la syntonisation après quelques tentatives.

POUR LE BRANCHEMENT D'UN LECTEUR DE DISQUES COMPACTS

Des entrées spéciales pour auxiliaires sont fournies pour l'utilisation avec un lecteur de disques compacts, un magnétophone, une platine tourne-disques ou un magnétoscope. Le branchement nécessite des connecteurs RCA standard lorsque vous utilisez les entrées.

FIXATION DE L'ANTENNE EXTERNE

Une antenne auxiliaire pour ondes courtes est vendue avec votre Grundig Classic 960. Elle est logée dans un contenant en plastique noir, et une fois déroulée, mesure environ 20 pieds de long. Déroulez-la toujours entièrement pour obtenir de meilleurs résultats.

1. Déroulez entièrement l'antenne pour ondes courtes fournie.
2. Branchez-la dans la douille spéciale d'antenne pour ondes courtes à l'arrière de la radio.
3. Installez le fil de l'antenne aussi haut que possible au-dessus du plancher, en faisant des allers et retours en travers de la fenêtre. Utilisez l'attache, qui se trouve dans le contenant en plastique noir, pour accrocher l'extrémité de l'antenne à un point élevé. Ne raccordez pas l'antenne externe à une antenne extérieure.

DONNÉES TECHNIQUES





Alimentation :	120 V ou 60 Hz
Puissance de sortie :	7,3 W (pour une distorsion harmonique de 10 %)
Gamme d'accords :	FM : 88 à 108 MHz AM : 530 à 1 710 KHz Ondes courtes : 4,5 à 22 MHz
Antenne :	Antenne intégrée à ferrite Borne d'antenne externe
Dimensions :	15,25 po (L) x 11,25 po (H) x 6,5 po (P)
Poids :	4,2 kg
Coffret :	Coffret en bois poli avec garniture peinte à la main
Haut-parleur :	130 mm, 16 Ω , 10 W - 1 et 66 mm, 8 Ω , 0,1 W

PRÉCAUTIONS :

- Faites fonctionner le poste uniquement à 120 V ou à 60 Hz.
- La plaque signalétique indiquant la tension, la consommation électrique, etc. est située à l'arrière du poste.
- Débranchez le poste de la prise lorsqu'il n'est pas utilisé pendant une période de temps prolongée. Pour débrancher le cordon, saisissez la fiche. Ne tirez jamais sur le cordon.
- N'installez pas le poste dans un endroit proche de sources de chaleur telles que les radiateurs ou les conduits d'air ou un endroit directement exposé au soleil, à une poussière excessive, à une vibration mécanique ou aux chocs.
- Assurez une circulation d'air adéquate pour éviter une accumulation de chaleur interne. Ne placez pas le poste sur des surfaces (tapis, couvertures, etc.) ou à proximité de matériaux (rideaux, tentures) qui peuvent bloquer les trous d'aération.
- Si un liquide ou un objet solide tombe dans le poste, débranchez-le et faites-le vérifier par un technicien qualifié avant de le faire fonctionner de nouveau.
- Quand le coffret en bois est sale, nettoyez-le avec un chiffon doux humidifié avec une encaustique pour meubles douce et réputée. N'utilisez jamais d'agents abrasifs de nettoyage ou de dissolvants chimiques, car ils peuvent abîmer le coffret.
- Lorsqu'une antenne externe est utilisée, débranchez-la des bornes d'antenne du poste pendant un orage électrique, à moins que l'édifice ne comporte un parafoudre adéquat.

AVERTISSEMENT :

AFIN D'ÉVITER LES RISQUES D'INCENDIES OU DE CHOCS ÉLECTRIQUES. N'EXPOSEZ PAS L'APPAREIL À LA PLUIE OU À L'HUMIDITÉ.

	ATTENTION ! RISQUE DE CHOC ÉLECTRIQUE, NE PAS OUVRIR.	
AVERTISSEMENT : AFIN DE LIMITER LE RISQUE DE CHOC ÉLECTRIQUE, N'ENLEVEZ PAS LE COUVERCLE (OU LE DOS). AUCUNE PIÈCE POUVANT ÊTRE ENTRETENUE PAR L'UTILISATEUR À L'INTÉRIEUR. CONFIEZ L'ENTRETIEN À UN TECHNICIEN QUALIFIÉ.		
	Ce symbole a pour objectif d'avertir l'utilisateur de la présence d'une « tension dangereuse » à l'intérieur du coffret du présent produit. Celle-ci peut être d'une intensité suffisante pour représenter un risque de choc électronique pour les personnes.	
	Ce symbole est inséré afin d'avertir l'utilisateur de la présence d'instructions importantes sur l'entretien et le fonctionnement dans les documents joints à l'appareil.	

AVERTISSEMENT : AFIN D'ÉVITER LES RISQUES DE CHOCS ÉLECTRIQUES, FAITES CORRESPONDRE LA LAME LARGE DE LA FICHE À LA FENTE LARGE DE LA PRISE ET INSÉREZ À FOND.

ATTENTION : A FIN DE LIMITER LE RISQUE DE CHOC ÉLECTRIQUE, MATCH LARGE LAME DE PRISE À LARGE FENTE, COMPLETEMENT INSÉRER.

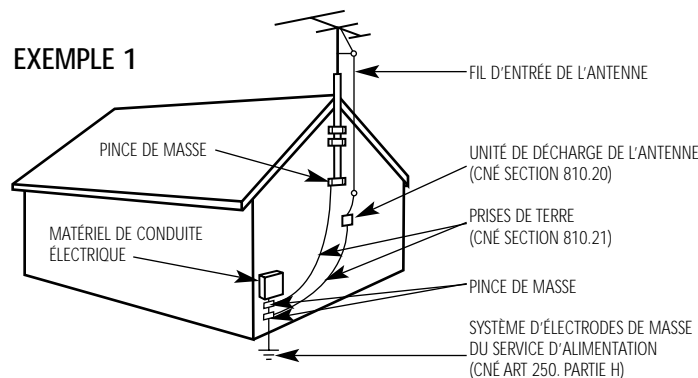
MESURES DE SÉCURITÉ IMPORTANTES

VEUILLEZ LIRE SOIGNEUSEMENT TOUTES LES MESURES DE SÉCURITÉ IMPORTANTES CI DESSOUS APPLICABLES À VOTRE APPAREIL.

- Lisez les directives** – Vous devriez lire toutes les directives de sécurité et d'utilisation avant d'employer l'appareil.
- Conservez les directives** – Vous devriez conserver les directives de sécurité et d'utilisation pour consultation ultérieure.
- Tenez compte des mises en garde** – Vous devriez suivre toutes les mises en garde sur l'appareil.
- Suivez les directives** – Vous devriez suivre toutes les directives de sécurité et d'utilisation.
- Nettoyage** – Débranchez cet appareil de la prise murale avant de le nettoyer. N'utilisez pas de produits de nettoyage liquides ou en aérosol. Utilisez un linge humide pour le nettoyage.
- Accessoires connexes** – N'utilisez pas d'accessoires connexes qui ne sont pas recommandés par le fabricant ou ces accessoires pourraient entraîner des risques.
- Eau et humidité** – N'utilisez pas ce produit près de l'eau - par exemple près d'une baignoire, d'une cuvette, d'un évier de cuisine, d'un bac à lessive, dans un sous-sol humide, près d'une piscine ou de tout autre endroit similaire.
- Accessoires** – Ne placez pas ce produit sur un chariot, un présentoir, un trépied, un support ou une table instable. Le produit pourrait tomber, ce qui pourrait causer des blessures graves à un enfant ou à un adulte ou des dommages graves à l'appareil.
- Ventilation** – Ce produit ne devrait jamais être placé sur un radiateur ou un appareil de chauffage ni à proximité. Ce produit ne devrait pas être placé dans une installation encastrée comme une bibliothèque ou un présentoir, à moins qu'une ventilation adéquate ne soit fournie ou que vous n'ayez suivi les directives du fabricant. Toute rainure ou ouverture du coffret est prévue pour la ventilation. Pour assurer une utilisation fiable de ce produit et pour le protéger de la surchauffe, ces ouvertures ne doivent pas être bloquées ou couvertes. Ces ouvertures ne devraient jamais être bloquées en plaçant le produit sur un lit, un divan, un tapis ou toute autre surface similaire. L'ADAPTATEUR C.A. NE DOIT PAS ÊTRE PLACÉ EN CONTACT DIRECT DES RIDEAUX ET AUTRES MATIÈRES INFLAMMABLES.
- Sources d'alimentation** – Ce produit devrait être utilisé uniquement à partir du type de source d'alimentation indiqué sur l'étiquette de marquage de l'adaptateur c.a. fourni. Si vous n'êtes pas certain du type d'alimentation dans votre maison, consultez votre fournisseur d'appareils ou votre compagnie d'électricité locale.
- Éclairs** – Pour une protection accrue de ce produit pendant un orage électrique, ou lorsque l'appareil n'est pas utilisé pendant de longues périodes, débranchez l'adaptateur c.a. de la prise murale.



- 12. Lignes de transport d'énergie** – Un système d'antenne extérieure ne devrait pas être situé dans les environs de lignes aériennes de transport d'énergie ou d'autres circuits d'alimentation ou de lumières électriques sur lesquels il pourrait tomber. Au moment d'installer un système d'antenne extérieur, des précautions extrêmes devraient être prises pour l'empêcher de toucher à ces lignes de transport d'énergie ou ces circuits car leur contact peut être fatal.
- 13. Surcharge** – Ne surchargez pas les prises murales ou les rallonges électriques, ce qui peut entraîner une risque d'incendie ou de chocs électriques.
- 14. Entretien** – Ne tentez pas d'effectuer vous-même l'entretien de ce produit car l'ouverture ou le retrait du couvercle peut vous exposer à une tension dangereuse ou à d'autres risques. Confiez tout l'entretien à des personnes qualifiées.
- 15. Dommages nécessitant de l'entretien** – Débranchez ce produit de la prise murale et confiez-en l'entretien à des techniciens qualifiés dans les circonstances suivantes :
- Lorsque le cordon ou la fiche de l'adaptateur c.a. est endommagé.
 - Si l'adaptateur c.a. a été exposé à la pluie ou à l'eau.
 - Si le produit ne fonctionne pas normalement en suivant les directives d'utilisation. Ajustez seulement les commandes qui sont couvertes par les directives d'utilisation. Un ajustement inadéquat peut entraîner des dommages et exige souvent des travaux importants de la part d'un technicien qualifié pour remettre le produit dans un état de fonctionnement normal.
 - Si le produit est tombé ou si le coffret a été endommagé.
 - Si le produit présente un changement important dans son rendement, ce qui indique que de l'entretien est nécessaire.
- 16. Pièces de rechange** – Lorsque des pièces de rechange sont nécessaires, assurez-vous que le technicien d'entretien a utilisé les pièces de rechange spécifiées par le fabricant ou qui possèdent les mêmes caractéristiques que les pièces d'origine. Les substituts non autorisés peuvent provoquer des incendies, des chocs électriques ou d'autres dangers.
- 17. Vérification de sécurité** – Après avoir terminé tout entretien ou toute réparation, demandez au technicien de service d'effectuer des vérifications de sécurité pour déterminer si le produit est en état de fonctionnement adéquat. **Reportez-vous à l'exemple 1.**



- 18. Mise à la terre de l'antenne externe** – Avant de tenter d'installer le produit, assurez-vous que l'antenne ou le système de câbles est mis à la terre afin d'obtenir une protection contre la surtension ou l'accumulation de charge statique.
- Utilisez comme mise à la terre un fil n° 10 AWG (5,3 mm²) en cuivre, n° 8 AWG (8,4 mm²) en aluminium ou un fil en acier cuivré ou en bronze n° 17 AWG (1,0 mm²) ou plus gros.
 - Fixez les fils de mise à la terre ou d'entrée de l'antenne à la maison avec des isolateurs muraux espacés de 4 pieds (1,22 m) à 6 pieds (1,83 m).
 - Montez l'unité de décharge de l'antenne aussi près que possible de l'endroit où le fil d'entrée pénètre dans la maison.
 - Une tige enfoncée peut être utilisée comme électrode de mise à la terre lorsque les autres systèmes d'électrodes ne sont pas offerts. Reportez-vous au Code national de l'électricité ANSI/NFPA 70-1990 pour les renseignements.
 - Utilisez un fil de connexion en cuivre n° 6 AWG (13,3 mm²) ou plus gros, ou l'équivalent, lorsqu'une électrode de mise à la terre d'antenne distincte est utilisée.

Pour plus de renseignements ou d'assistance, vous pouvez contacter le service des réparations GRUNDIG en appelant au 1 800 872-2228 aux É.-U. ou au 1 800 673-1648 au Canada. Du lundi au vendredi, de 8 h 30 à 16 H (HNP), excepté les jours fériés.

Si vous voulez retourner votre appareil pour le faire réparer, emballez soigneusement le récepteur en utilisant sa boîte d'origine ou une autre boîte appropriée. Inscrivez lisiblement votre adresse de retour sur la boîte d'expédition et sur la lettre ci-jointe décrivant la réparation nécessaire, les symptômes ou les problèmes. Veuillez inclure aussi le numéro de téléphone où l'on peut vous joindre pendant la journée et une copie de votre preuve d'achat. Le récepteur sera réparé selon les modalités de la garantie limitée GRUNDIG et vous sera retourné. Veuillez appeler pour obtenir une autorisation de retour avant d'expédier votre appareil.

GARANTIE LIMITÉE D'UN AN

GRUNDIG garantit à l'acheteur initial que ce produit sera exempt de tout défaut de matériau ou de main-d'œuvre pendant une année à partir de la date d'achat initial.

Pendant la durée de la garantie, GRUNDIG ou un centre accrédité de réparation GRUNDIG fournira, gratuitement, les pièces et la main-d'œuvre nécessaires pour corriger les vices de matériau et de main-d'œuvre. En outre, GRUNDIG peut choisir de remplacer un appareil défectueux.

- (1) Remplissez et envoyez la fiche de garantie dans les dix (10) jours qui suivent l'achat.
- (2) Appelez Lextronix ou le centre accrédité de réparation le plus proche, aussitôt que possible après la découverte d'une possibilité de vice. Soyez prêt à donner :
 - (a) le numéro de modèle et le numéro de série,
 - (b) le nom du revendeur et la date approximative d'achat,
 - (c) une description détaillée du problème, y compris des détails sur les branchements électriques aux accessoires et la liste de tels accessoires.

(3) Lextronix vous donnera un numéro d'autorisation de retour et l'adresse à laquelle vous pouvez envoyer l'appareil. Envoyez l'appareil dans sa boîte d'origine ou une boîte équivalente, entièrement assuré et frais de port payés à l'avance.

Une utilisation, des réparations et un entretien corrects sont importants pour obtenir un bon fonctionnement de ce produit. Veuillez donc lire soigneusement ce mode d'emploi. Cette garantie ne s'applique pas aux pannes qui, selon l'évaluation GRUNDIG, ont été provoquées par :

- (1) Un entretien ou des réparations incorrectes, y compris l'installation de pièces ou d'accessoires qui ne sont pas conformes à la qualité et aux spécifications des pièces d'origine.
- (2) Une utilisation incorrecte, abusive ou négligente ou à une installation incorrecte.
- (3) Des dégâts accidentels ou intentionnels.
- (4) Une fuite des piles.

Toutes les garanties implicites, le cas échéant, y compris les garanties de valeur marchande et d'aptitude à une utilisation particulière, cessent un (1) an à compter de la date d'achat initial.

Ce qui précède représente l'ensemble des obligations GRUNDIG envers ce produit et l'acheteur initial n'aura aucun autre recours ni réclamation pour des dommages indirects ou consécutifs, des pertes ou des dépenses. Certains états et provinces n'autorisent aucune limitation sur la durée des garanties ou sur les dommages indirects ou consécutifs. La limitation ci-dessus peut donc ne pas s'appliquer à vous.

Cette garantie vous confère des droits juridiques précis et vous pouvez également avoir d'autres droits qui varient d'état en état ou de province en province.

Pour plus de renseignements sur les services, contactez :

LEXTRONIX, INC.

3520 Haven Avenue, Unit L
Redwood City, CA 94063-4605 É.-U.
1 (650) 361-1611

Numéro de téléphone du Centre d'assistance à la clientèle :

1 800 872-2228 (É.-U.) ou 1 800 637-1648 (Canada)

Télécopieur :

1 (650) 361-1724

Site Web :

<http://www.etonmall.com>

Free Manuals Download Website

<http://myh66.com>

<http://usermanuals.us>

<http://www.somanuals.com>

<http://www.4manuals.cc>

<http://www.manual-lib.com>

<http://www.404manual.com>

<http://www.luxmanual.com>

<http://aubethermostatmanual.com>

Golf course search by state

<http://golfingnear.com>

Email search by domain

<http://emailbydomain.com>

Auto manuals search

<http://auto.somanuals.com>

TV manuals search

<http://tv.somanuals.com>