

# ELECTROGLIDE™

*ELECTRIC POWERHEAD*



## OWNER'S MANUAL

Review this manual before operating your  
Electroglide Electric Powerhead

## TABLE OF CONTENTS

<i>Subject</i>	<i>Page</i>
<b>Safety Instructions</b>	3
<b>Parts and Features</b>	4
<b>Assembling Vacuum System</b>	5
<b>General Operation</b>	6
<b>Electroglide Attachments</b>	
Handle Attachments	6
Wand Assembly Attachments	6
<b>Performance Features</b>	
Edge Cleaner	7
Overload Protector	7
Suction Control	7
<b>Maintenance and Care</b>	
Light Bulb Replacement	8
Cleaning the Brush Assembly	8
Belt Removal and Replacement	9-11
Brush Replacement	11
<b>Replacement Parts</b>	12-13
<b>Limited Warranty</b>	14
<b>Service Information</b>	15

# IMPORTANT SAFETY INSTRUCTIONS

***Read all instructions before using this vacuum system.***

When using an electrical appliance, basic precautions should always be followed, including the following:

## WARNING

***To reduce the risk of fire, electrical shock or injury:***

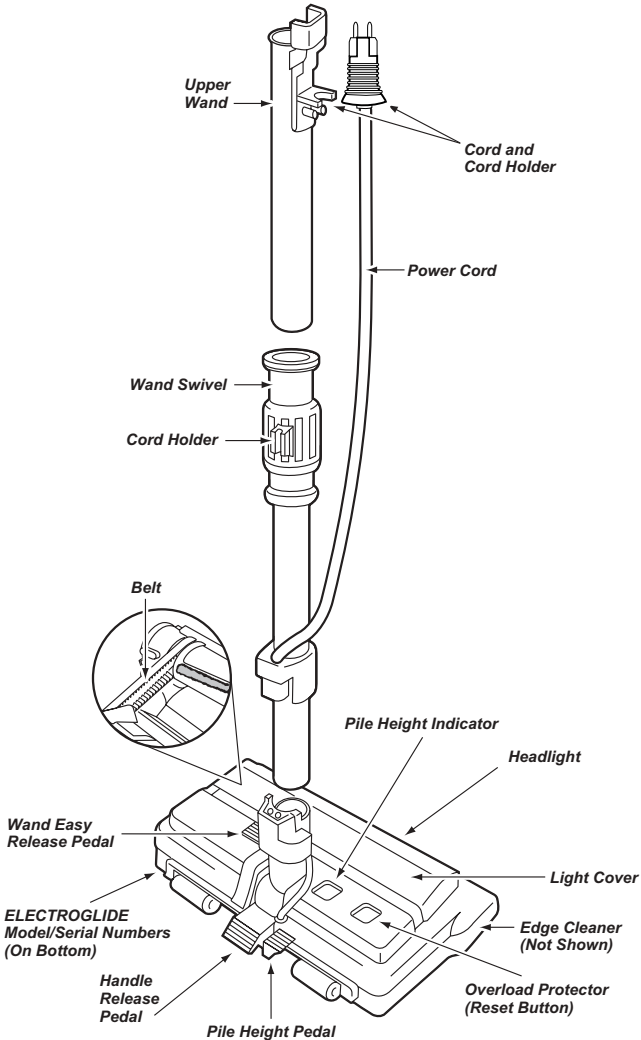
- Unplug and disconnect power before servicing.
- Do not use on wet surfaces.
- Do not allow to be used as a toy. Close attention is necessary when used by or near children.
- Use only as directed in this manual. Use only manufacturer's recommended attachments.
- Do not use with damaged cord or plug. If appliance is not working as it should, has been dropped, damaged or exposed to water, return it to a service center.
- Do not pull or carry by cord, use cord as a handle, close a door on cord, or pull cord around sharp objects or corners. Do not run appliance over cord. Keep cord away from heated surfaces.
- Do not unplug by pulling on cord. To unplug, grasp the plug, not the cord.
- Do not handle system or appliance with wet hands.
- Do not put any object into openings.
- Do not use with any opening blocked; keep free of dust, lint, hair, and anything that may reduce airflow.
- Keep hair, loose clothing, fingers, and all parts of body away from openings and moving parts.
- Do not pick up anything that is burning or smoking, such as cigarettes, matches, or hot ashes.
- Turn off all controls before unplugging.
- Use extra care when cleaning on stairs.
- Do not pick up flammable or combustible liquids such as gasoline or use it in any areas where they may be present.
- The hose contains electrical wires. Do not use if damaged, cut or punctured. Avoid picking up sharp objects.
- Always turn off this appliance before connecting or disconnecting either hose or motorized nozzle.

**SAVE THESE INSTRUCTIONS**

***Intended for Household Use Only***

# PARTS AND FEATURES

It is important to know your Electroglide parts and features to assure its proper and safe use. Review these before using your Electroglide.



## WARNING

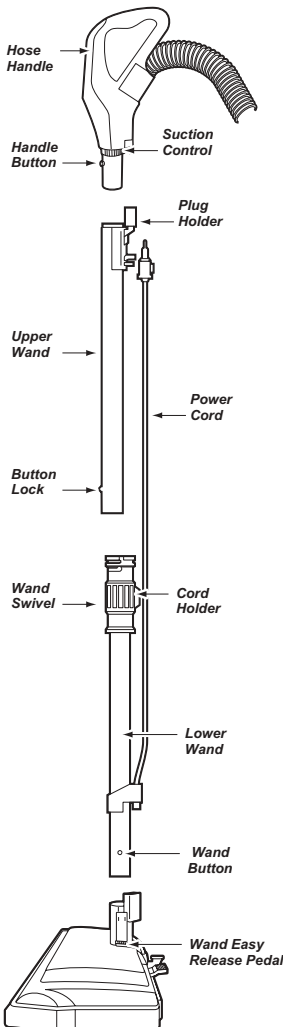
*Always unplug the Electroglide before cleaning the brush area as brush may suddenly restart. Failure to do so can result in personal injury.*

# ASSEMBLING VACUUM SYSTEM

Before assembling your Electroglide Electric Powerhead, be sure you have all parts shown in PARTS AND FEATURES.

## WARNING

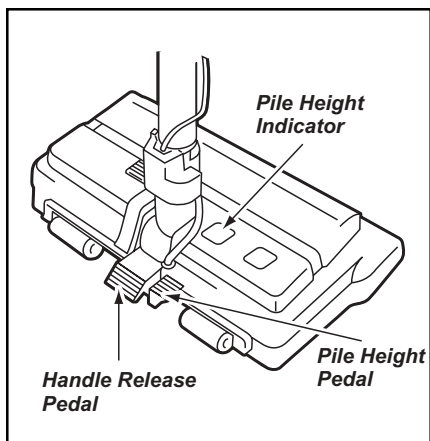
*Do not plug into electrical supply until assembly is complete. Failure to do so could result in electrical shock or injury.*



1. Connect the upper and lower wand sections. (The wand swivel is located on the lower wand.)
2. Slide the upper and lower wands together until the wand button snaps into place. Turn wand button to the slotted area of the wand swivel. (The swivel allows you to turn the handle to the left side to reach farther under low furniture.)
3. Insert the wand assembly into the wand socket located on the neck of the electric powerhead. The lower wand button lock will prevent the wand assembly from detaching from the Electroglide while in use.
4. Plug the power cord from the wand assembly into the receptacle at the top of the upper wand. **DO NOT FORCE.**
5. Secure the electric cord into the cord holder on the wand swivel.
6. Insert the hose handle into the wand assembly. Insert the hose wall adapter into the vacuum inlet valve. Plug the 120V power cord into the nearest electrical outlet.

**To remove wands,** disconnect the power cord and step on the wand release pedal, then pull up on the wands.

## GENERAL OPERATION



The Electroglide is controlled by pressing the three-position on/off power control switch located on the hose handle. The headlight will operate when the Electroglide is turned on.

The powerhead has a height adjustment pedal for various carpet heights. Use the low setting for short napped carpets, and the high setting for plush carpets.

## ELECTROGLIDE ATTACHMENTS

### Hose Handle Attachments

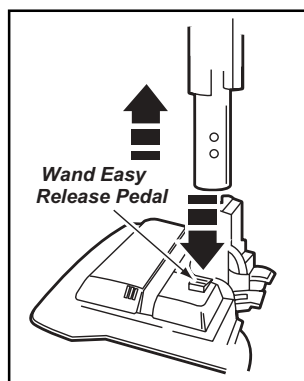
If the Electroglide is attached, turn cleaner OFF before removing hose handle from wands.

1. Press lock button, then pull to remove handle from wand.
2. Slide attachments firmly on handle as needed.

### Wand Assembly Attachments

To remove wands from the Electroglide Powerhead, lock wands in straight up position.

1. Press easy release pedal with foot and pull the wands straight up out of the Electroglide Powerhead. The Electroglide plug and cord do not have to be removed to use attachments on the wands.
2. Put attachments on wands as needed.

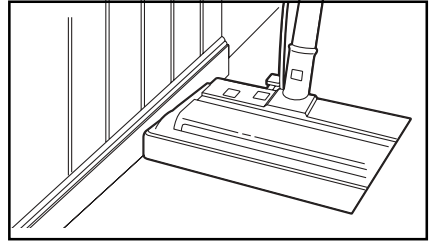


**Caution:** Do not attach or remove handle or wands while cleaner is ON. This could cause sparking and damage the electrical contacts.

## PERFORMANCE FEATURES

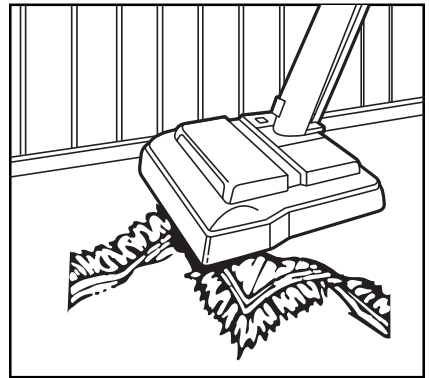
### Edge Cleaner

Active brush edge cleaners are on both sides of the Electroglide. Therefore, guide either side of the Electroglide along baseboards or next to furniture to help remove dirt trapped at carpet edges.



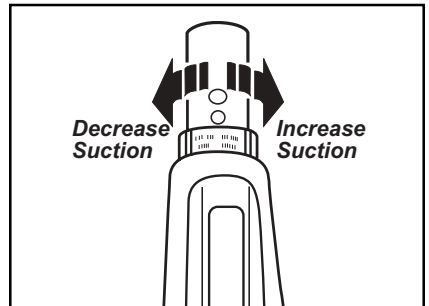
### Overload Protector

The Electroglide has built-in protection against motor and belt damage should the brush jam. If the brush slows down or stops, the overload protector button pops up and shuts off the Electroglide automatically, while the power unit motor continues to run. To reset the system, just push in the overload protector button.



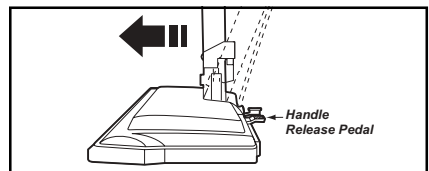
### Suction Control

The suction control allows you to easily change the vacuum suction for different fabric and carpet weights. Opening the control decreases suction for drapes and lightweight rugs, while closing the control increases suction for upholsteries and carpets.



### Handle Release Pedal

The handle release pedal allows you to lower the wand and handle for extended and easier reach under furniture.



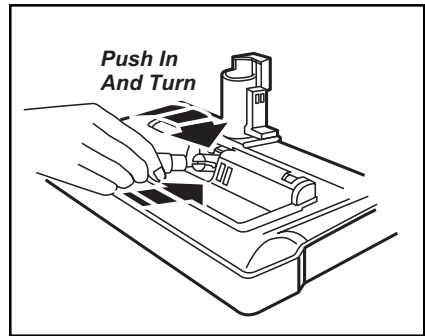
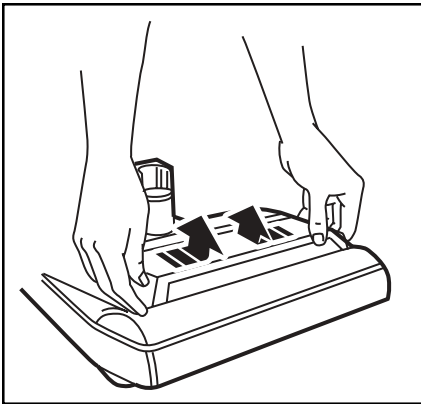
## MAINTENANCE AND CARE

### WARNING

*Always unplug electrical cord and vacuum hose before servicing and maintaining the Electrolide Electric Powerhead. Failure to do so could result in electrical shock or personal injury from cleaner suddenly starting. Always follow all safety precautions specified when caring for your Electrolide.*

### Light Bulb Replacement

1. Disconnect cleaner from electrical outlet.
2. Remove light cover by pressing in and lifting both sides of cover as shown.



3. Push in and turn bulb counter clockwise to remove.
4. Replacement bulb must not be higher than 15 watts (Part #7967).
5. Close light cover until it snaps in place.

### Brush Cleaning

Check the brush roll and brush support areas frequently in order to maintain optimum efficiency. If hair, string, thread, carpet fiber or lint becomes wound around the brush roll, remove by unwinding them by hand or carefully cutting with scissors. If buildup becomes excessive, disconnect the Electrolide Powerhead from the wand assembly and follow the **Brush Replacement** steps on Page 11. Instructions can also be found under the light cover.



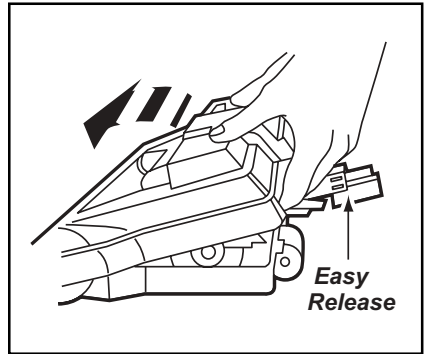
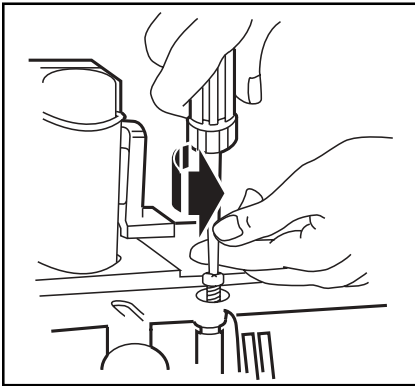
# MAINTENANCE AND CARE

## Belt Removal and Replacement

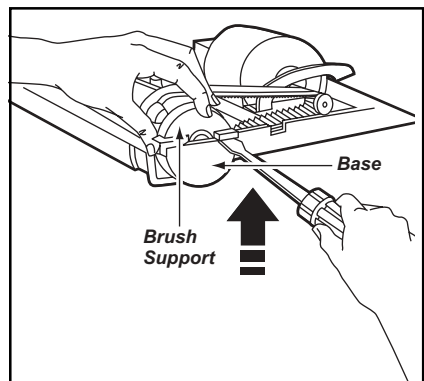
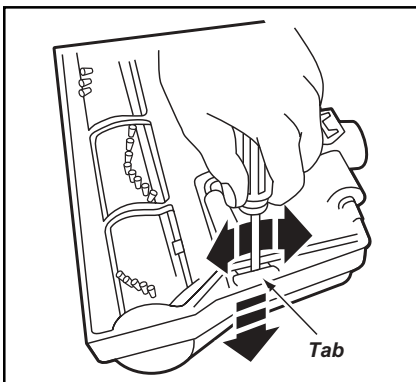
The belt should also be checked periodically to be sure it is in good condition. It should be replaced if it is stretched, cracked or broken. If the belt needs replaced, use only Electroglide Belt # 7960.

### To remove belt:

1. Remove light cover and light bulb as shown on Page 8.
2. Unscrew the Electroglide Powerhead cover screws.
3. Turn Electroglide Powerhead over. To remove cover, insert screwdriver at cover tabs on both sides and twist to release tabs.
4. Turn Electroglide Powerhead right side up. Press handle release pedal and lower the swivel. Tilt cover forward from back until front snaps free.
5. Carefully insert and twist screwdriver at each brush support to free brush from base.



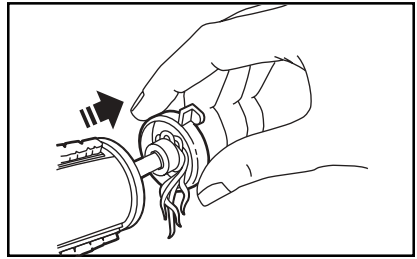
3. Turn Electroglide Powerhead over. To remove cover, insert screwdriver at cover tabs on both sides and twist to release tabs.



# MAINTENANCE AND CARE

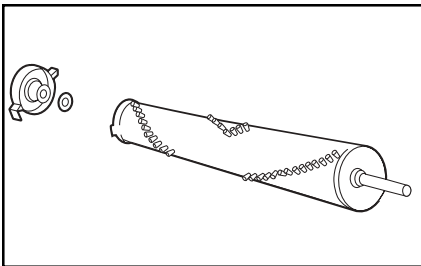
## Belt Removal *(continued)*

6. Remove worn belt.
7. Slide brush supports off to check and clean brush support areas.

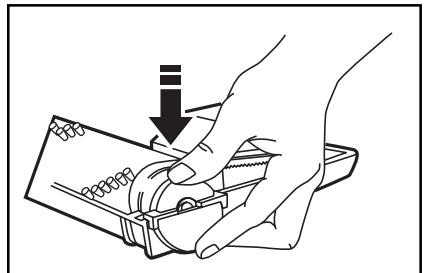


## To replace belt:

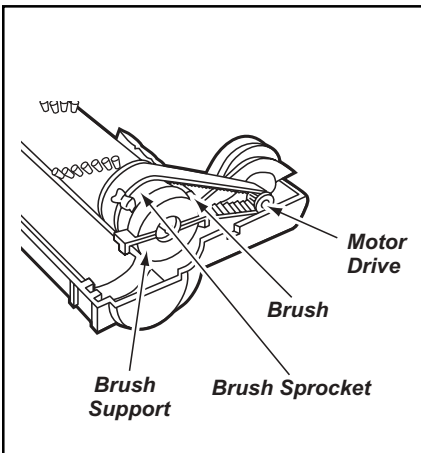
1. Slide washers and brush supports onto brush assembly.



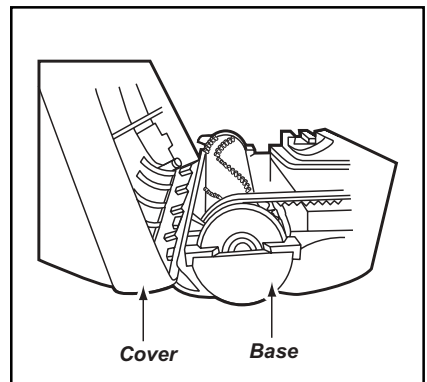
3. Snap brush supports into place on base. Be sure brush supports are not upside-down.



2. Install new belt over motor drive, then over brush sprocket.



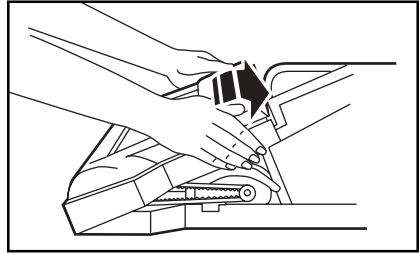
4. Line up front of cover and base. Rest cover on front edge of base as shown.



# MAINTENANCE AND CARE

## Belt Replacement *(continued)*

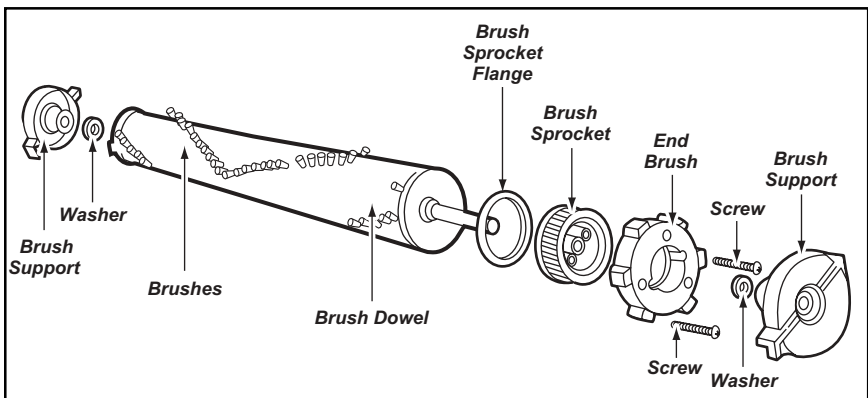
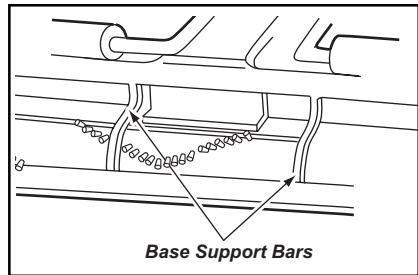
5. Tilt cover to back. Press cover firmly until side tabs snap into place. Replace cover screws, light bulb and light cover.



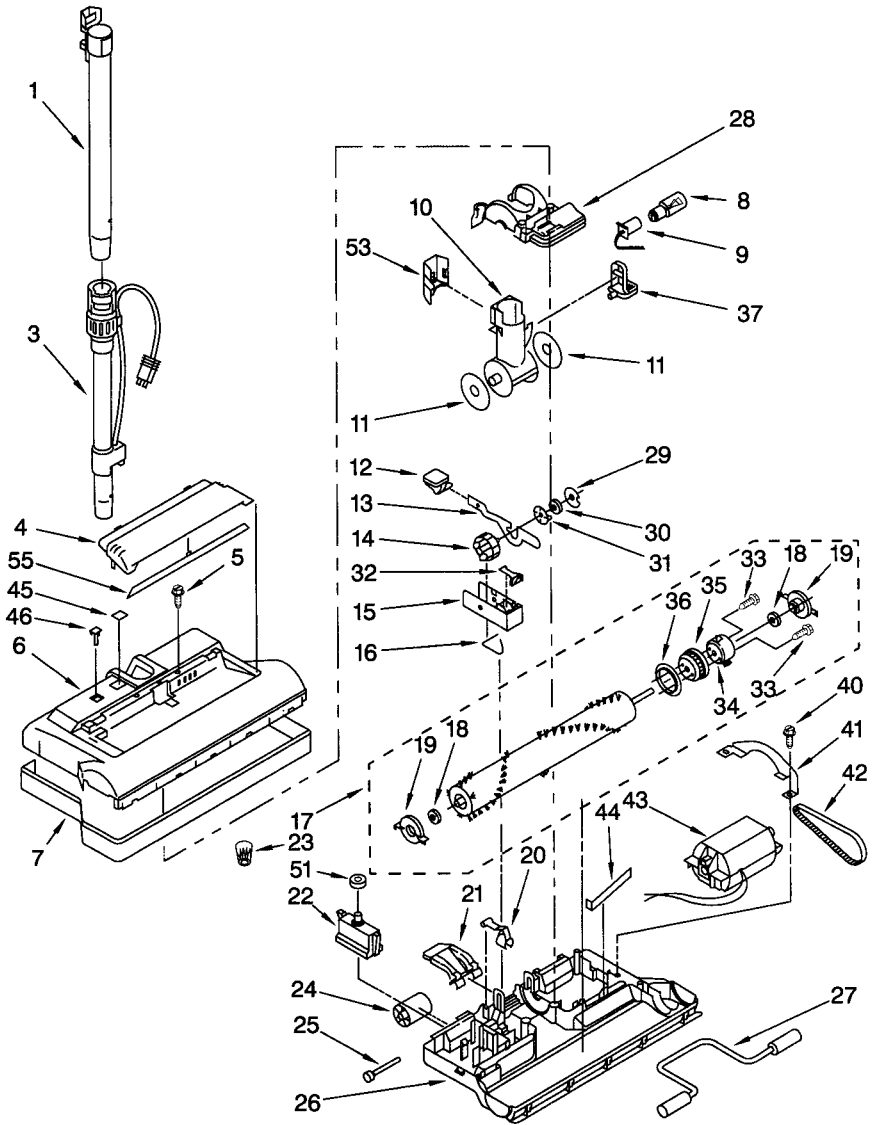
## Brush Replacement

1. Remove the Electroglide Powerhead cover, belt and brush assembly.
2. Remove brush supports, washers, screws, end brush, and brush sprocket pieces from ends of brush assembly.
3. Reassemble brush assembly as shown below.
4. Replace belt, brush assembly, Electroglide Powerhead cover, light bulb and light cover.

**Replace brushes** when the brushes are worn to the level of the base support bars.



# ELECTROGLIDE REPLACEMENT PARTS



## ELECTROGLIDE REPLACEMENT PARTS

Illus. No.	Part No.	Part Description	Illus. No.	Part No.	Part Description
1	<b>7922</b>	Wand (Upper)	27	<b>7946</b>	Front Axle Assembly
3	<b>7923</b>	Wand (Lower)	28	<b>7947</b>	Swivel Cap
4	<b>7972</b>	Cover, Power Head	29	<b>7948</b>	Washer Thrust
5	<b>7925</b>	Screw 8-18 x 1-7/8 (2)	30	<b>7949</b>	Washer
6	<b>7926</b>	Nozzle Housing	31	<b>7950</b>	Catch Indexing
7	<b>7927</b>	Bumper	32	<b>7951</b>	Ratchet Catch
8	<b>7967</b>	Bulb, Light (15 Watt)	33	<b>7952</b>	Screw Type 25 #6 Pan (2)
9	<b>7965</b>	Socket, Bulb	34	<b>7953</b>	End Brush Tufted
10	<b>7929</b>	Swivel	35	<b>7954</b>	Brush Sprocket
11	<b>7930</b>	Swivel Seal (2)	36	<b>7955</b>	Brush Sprocket Flange
12	<b>7931</b>	Pad, Foot Pedal	37	<b>7928</b>	Easy Release Pedal
13	<b>7932</b>	Indicator Lever	40	<b>7958</b>	Screw 8-18 x 5/8 (2)
14	<b>7933</b>	Indicator Cam	41	<b>7959</b>	Motor Bridge
15	<b>7934</b>	Indicator Block	42	<b>7960</b>	Belt, Cogged
16	<b>7935</b>	Spring Assist	43	<b>7961</b>	Motor
17	<b>7936</b>	Brush Assembly	44	<b>7962</b>	Motor Adjustment Spring
18	<b>7937</b>	Washer, Metal (12 x 1/2) (2)	45	<b>7963</b>	Lens, Height Adjustment
19	<b>7938</b>	Bearing & Housing Assembly (2) (includes Illus. 18)	46	<b>7964</b>	Button, Extension
20	<b>7939</b>	Lifter	51	<b>7973</b>	Seal, Overload
21	<b>7940</b>	Handle Release	53	<b>7969</b>	Cover, Plug
22	<b>7941</b>	Overload Protector	55	<b>7968</b>	Lens, Light
23	<b>7942</b>	Wire Connector			
24	<b>7943</b>	Roller, Rear (2)			
25	<b>7944</b>	Rear Axle (2)			
26	<b>7945</b>	Base			

## LIMITED WARRANTY

H-P PRODUCTS, INC. warrants that the Electroglide Electric Powerhead, when used for household purposes, pursuant to Seller's instructions, will be free from defects in materials and workmanship for a period of one year from the date of the initial consumer purchase. H-P PRODUCTS, INC. warrants that the Electroglide Electric Powerhead, when used in a commercial application, pursuant to Seller's instructions, will be free from defects in materials and workmanship for a period of ninety (90) days from the date of the initial sale by H-P PRODUCTS, INC. This warranty is limited to the replacement of defective parts and any costs of shipping shall be incurred by the purchaser. THIS WARRANTY IS EXCLUSIVE AND IS IN LIEU OF ALL OTHER WARRANTIES, EXPRESS, IMPLIED, OR STATUTORY, AND H-P PRODUCTS, INC. SPECIFICALLY DISCLAIMS RESPONSIBILITY FOR CONSEQUENTIAL AND INCIDENTAL DAMAGES, AND LIMITS THE IMPLIED WARRANTY OF MERCHANTABILITY TO THE PERIOD OF EFFECTIVENESS OF THIS EXPRESS WARRANTY.

*Technology for cleaner living™*



**WARNING:**  
ELECTRIC SHOCK  
COULD OCCUR IF USED  
ON WET SURFACES

## **SERVICE INFORMATION**

The instructions in this booklet serve as a guide to routine maintenance. If additional service or repairs are required, please call 1-800-822-8356 for your nearest authorized service dealer.

**H-P PRODUCTS, INC.**  
512 W. GORGAS STREET  
LOUISVILLE, OHIO 44641



**H-P Products, Inc.**  
512 W. Gorgas Street  
Louisville, Ohio 44641-0912



## Free Manuals Download Website

<http://myh66.com>

<http://usermanuals.us>

<http://www.somanuals.com>

<http://www.4manuals.cc>

<http://www.manual-lib.com>

<http://www.404manual.com>

<http://www.luxmanual.com>

<http://aubethermostatmanual.com>

Golf course search by state

<http://golfingnear.com>

Email search by domain

<http://emailbydomain.com>

Auto manuals search

<http://auto.somanuals.com>

TV manuals search

<http://tv.somanuals.com>