

# !WARNING!

---

**H2O Audio stands behind our products.**

Failure to follow our instructions could destroy your iPod and will void the Warranty. If you have any concerns, or experience any difficulties with your H2O Audio product, we are here to help you, so please contact us directly. We can be reached at:

**1.800.708.6080 or 858.623.0339**

**support@h2oaudio.com**

**www.h2oaudio.com**



**Please take a moment and visit  
[www.h2oaudio.com](http://www.h2oaudio.com)**

For updated Instruction Manuals,  
Product Registration and to  
complete your warranty.



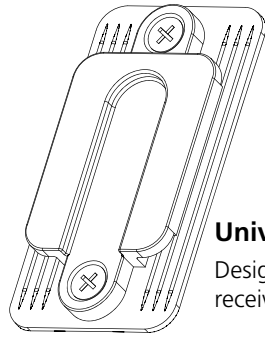
## Outdoor Sport Integration System

Printed Instructions  
h2oaudio.com



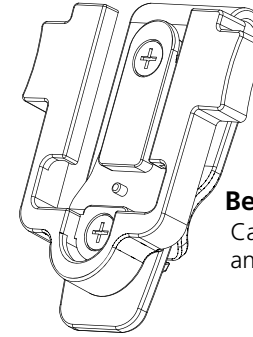
Before using this system, please be sure to read, understand, and follow the instruction of this manual.

## 2. SIS Features And Components



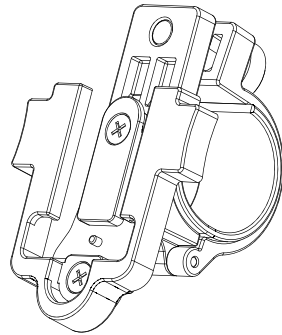
### Universal Locking Plate

Designed to lock into any of the receiving attachments.



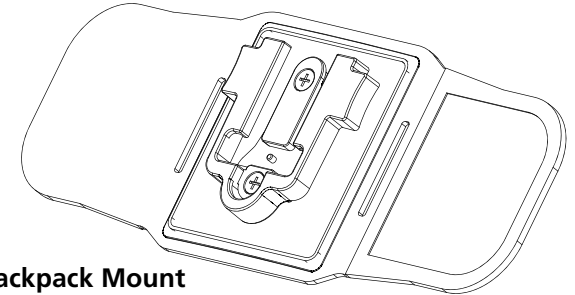
### Belt Clip Mount

Can be used to attached to any belt or pocket.



### Bike Mount

Easily adjusts to fit any standard bike handlebars. (includes 3 rubber spacer inserts)



### Backpack Mount

Can be attached to any bag or backpack shoulder-strap

## 3. Introduction

The H2O Audio Sport Integration System provides the Outdoor Series case a mounting solution for a variety of sporting activities, while keeping the player protected.

Once the Universal Locking Plate has been added to the case, it can easily and securely be attached to the Bike Mount, Backpack Mount, or Belt Clip Mount.

The key to this system is the common interface between the Universal Locking Plate on the case and the receiving feature on each of the various mounts.

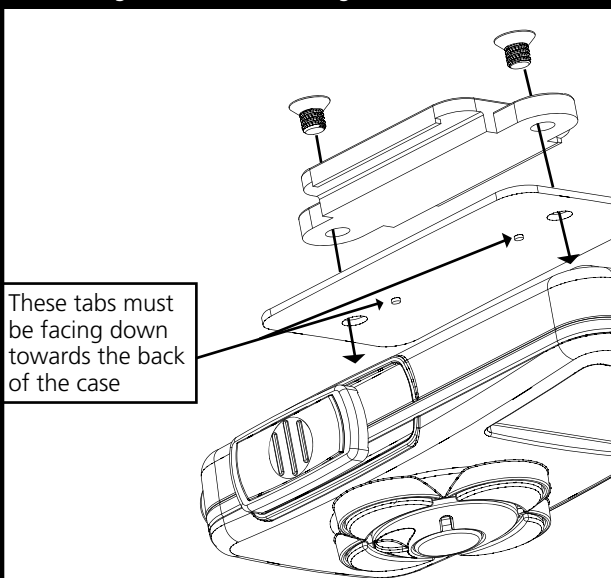
## 4. Installing the Universal Locking Plate

1. If your Outdoor case has a belt clip installed, it must be removed, using a Phillips Head screwdriver. Once removed the Universal Locking Plate can be installed.

2. The Universal Locking Plate consists of the plate, 2 screws, and the Universal Mount.

3. Install the plate to the back of the case, with the supplied screws, orienting the case in which ever direction you choose

## 4. Installing the Universal Locking Plate



The Universal Locking Plate can be mounted to orient your H2O Audio case in either the up or down orientation, depending on how you would like the case to attach to the mount (as shown).

## 5. FAQ's

Q. How do I know my case is securely attached?

A. Slide the Universal Locking Plate all the way into the mount until you hear an audible 'click'. Try to remove the case to verify it is locked in place.

Q. Will these attachments fit any H2O Audio Housing or Case?

A. No. Our earlier housings & cases do not feature a method for attaching the Universal Locking Plate to the housing or case. For an updated list of compatibility, please see [www.h2oaudio.com](http://www.h2oaudio.com)

Q. How do I use this system with an armband?

A. The Outdoor Series Case comes with a neoprene armband that allows the included belt clip to be attached to the sleeve on the armband. Attach the SIS Belt Clip Mount to the case and clip the belt clip into the armband sleeve the same way as you did before.

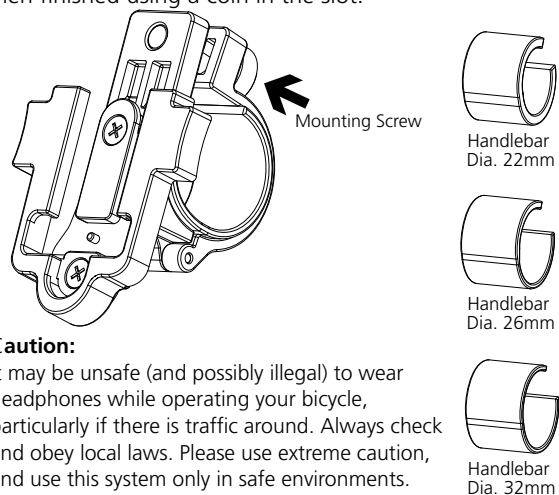
Q. Will you have other Mounts available?

A. Only if you let us know which ones you want most. Everyone is different, but if we hear your requests enough, we will support your need with a product. E-mail your requests to [support@h2oaudio.com](mailto:support@h2oaudio.com).

## 6. Bike Mount

Use the Bike Mount to attach the Outdoor case to the handlebars of your bicycle. There are 3 rubber spacers to choose from depending on the diameter of handlebars your bike features.

The mounting screw may be tightened first by hand, then finished using a coin in the slot.

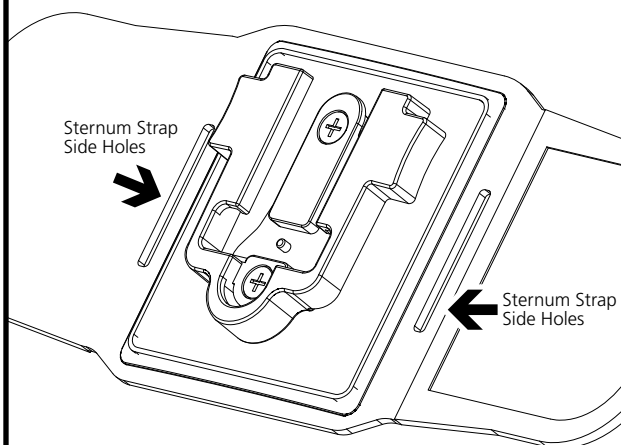


### Caution:

It may be unsafe (and possibly illegal) to wear headphones while operating your bicycle, particularly if there is traffic around. Always check and obey local laws. Please use extreme caution, and use this system only in safe environments.

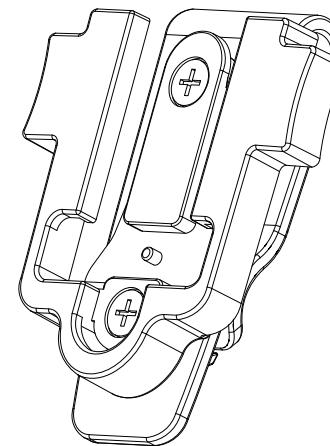
## 7. Backpack Mount

Use the Backpack Mount to attach the Outdoor case to the shoulder strap of any backpack or hydration pack. The Backpack Mount is a neoprene sleeve, which features side holes that allow the sternum strap to feed through, adding stability during use.



## 8. Belt Clip

The Belt Clip Mount is designed to attach the Outdoor case to a belt or pocket. It is also specifically designed to fit in the Outdoor Series Armband that comes standard with many of our Outdoor Cases.



## 9. Contact Us

Customer Support is available Monday to Friday 9AM to 5PM PST.  
www.h2oaudio.com  
P. 800.708.6080 or 858.623.0339  
F. 858.225.0815  
E. support@h2oaudio.com

Copyright Notice:  
This owner's manual is copyrighted, all rights reserved. It may not, in whole or in part, be copied, photocopied, reproduced, translated, or formed into any electronic format without prior consent in writing. H2O Audio is a registered trademark of H2O Audio Inc. Apple and iPod are registered trademarks of Apple Inc.  
Patents 6396769, 6614722, 6954405 Others Pending.

## 10. General Use Notice

IT IS CRITICAL THAT YOU VERIFY THE ATTACHMENT SYSTEM IS SECURELY CLOSED EACH AND EVERY TIME YOU ASSEMBLE THE CASE TO THE MOUNT. H2O AUDIO WILL NOT BE HELD RESPONSIBLE FOR DAMAGES TO THE CASE AND/OR PLAYER.

READ THIS MANUAL CAREFULLY. IF YOU HAVE ANY QUESTIONS PLEASE CONTACT H2O AUDIO CUSTOMER SUPPORT PRIOR TO USE.

IMPROPER USE OF THIS SYSTEM MAY CAUSE THE USER TO MAKE MISTAKES OR DECISIONS THAT MAY LEAD TO SERIOUS INJURY OR DEATH.

IT CAN BE POTENTIALLY DANGEROUS TO PLAY YOUR HEADSETS WHILE ENGAGING IN ACTIVITIES THAT REQUIRE YOUR FULL ATTENTION. YOU SHOULD EXERCISE EXTREME CAUTION OR DISCONTINUE USE IN POTENTIALLY HAZARDOUS SITUATIONS. DO NOT USE THE HEADPHONES WHILE DRIVING OR OPERATING ANY MOTORIZED VEHICLE. IT MAY CREATE A TRAFFIC HAZARD AND IS ILLEGAL IN SOME AREAS.

AVOID USING HEADPHONES AT HIGH VOLUME. HEARING EXPERTS ADVISE AGAINST CONTINUOUSLY LOUD AND EXTENDED PLAY. IF YOU EXPERIENCE RINGING IN YOUR EARS, REDUCE VOLUME OR DISCONTINUE USE.

## 11. Warranty Coverage

H2O Audio guarantees, to the original purchaser only, that the equipment purchased (EXCLUDING THE iPod) is free of defects in material and/or under normal recreational use for a period of one year (1) from date of consumer purchase from an Authorized Dealer; provided that proper care and maintenance have been performed as prescribed by the owner's guide included with the equipment. Should this product prove to be defective for any reason (other than those listed as limitations below) the product will be serviced or replaced at H2O Audio's sole discretion at no charge (excluding shipping and handling). This warranty shall be void if the registration is not completed and sent to H2O Audio Customer Services within 30 days of purchase. This warranty shall be void if the equipment has been tampered with by anyone not authorized to perform service. The warranty is non-transferable and extends to the original purchaser only and is valid only if the equipment was purchased from an authorized dealer. Warranty does not extend to cover damage from accident, abuse, tampering, lack of maintenance, theft, or loss. Service or modifications by anyone other than an Authorized H2O Audio agent will void the warranty. H2O Audio will not be responsible for recovery or replacement of the product in the event of loss or theft. H2O Audio, its Authorized International Distributors, and Authorized Dealers make no other warranties, either express or implied or orally, or in writing, with respect to any other warranty coverage except those expressly stated within the preceding sentences. H2O Audio will not be held responsible for any agreements orally or in writing with the exception of those expressly included in this warranty statement. The warranty registration card and the terms contained herein supersede all statements contained in any and all owner's guides, instruction cards, or other equipment literature or catalogs. In no event will H2O Audio, its Authorized International Distributors, and Authorized Dealers be held responsible or liable for any personal injuries resulting from the use of the covered equipment, or for any other damages, whether direct, indirect, incidental, or consequential; even if H2O Audio has been advised of such damages. Warranty does not extend to any damages that may occur to the iPod or loss of any data.

## 12. Returns

Prior to any return, a Return Authorization (RA) number must be obtained. To receive an RA number, go online to [www.h2oaudio.com/returns.php](http://www.h2oaudio.com/returns.php) and follow the simple instructions on how to return a product. Proof of purchase from an Authorized Dealer will be required. A copy of the original sales receipt and a copy of the owner's portion of the warranty card must accompany all correspondence regarding the equipment covered by this warranty agreement or in direct reference to this warranty.

## Free Manuals Download Website

<http://myh66.com>

<http://usermanuals.us>

<http://www.somanuals.com>

<http://www.4manuals.cc>

<http://www.manual-lib.com>

<http://www.404manual.com>

<http://www.luxmanual.com>

<http://aubethermostatmanual.com>

Golf course search by state

<http://golfingnear.com>

Email search by domain

<http://emailbydomain.com>

Auto manuals search

<http://auto.somanuals.com>

TV manuals search

<http://tv.somanuals.com>