

WINDOW TYPE ROOM AIR CONDITIONER



OPERATION MANUAL

HW-09CV03

HW-12CV03

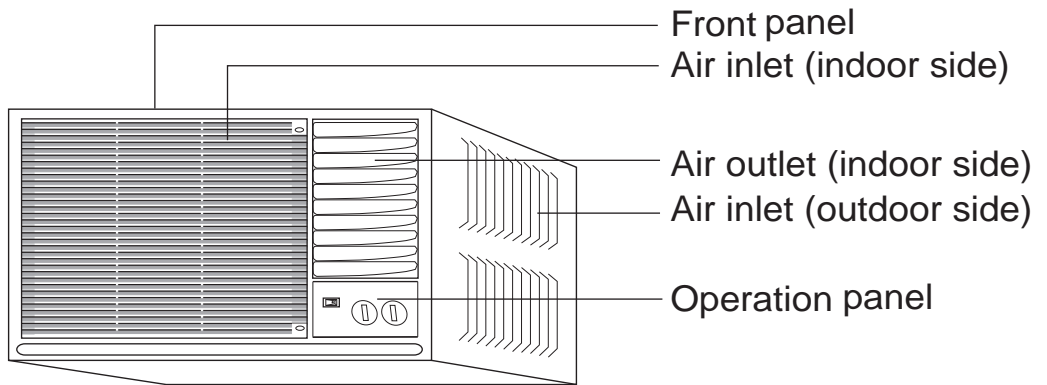
- Please read this operation manual before using the air conditioner.

No.0010503559

Contents

Parts Name	1
Operation Guide	2-4
Maintenance	5-7
Cautions	8
Trouble Shooting	9
Installation Guide	10-12

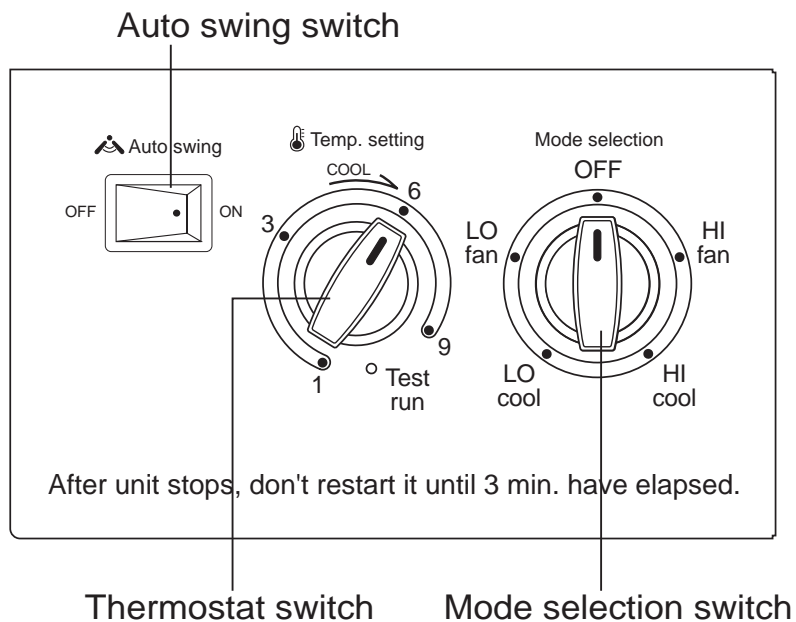
Parts Name



HW-09CV03
HW-12CV03

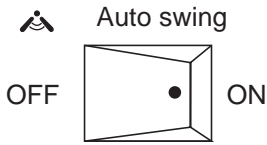
Operation Guide

Operation panel



Operation Guide

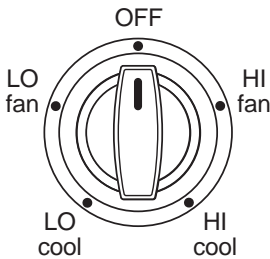
● Auto swing switch



When the switch is set to " ON ", vertical louver will swing from side to side, delivering gentle air thus making you feel very comfortable.

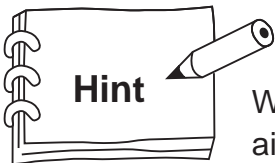
When it is set to " OFF ", vertical louver will stop at position.

● Mode selection switch



Mode switch controls the fan motor speed. Cooling speed or fan speed.

- <1> When set to "HI fan", fan motor runs at high speed to blow out strong air.
- <2> When set to "LO fan", fan motor runs at low speed to blow out gentle air.
- <3> When set to "HI cool", air-con will start speedy cooling, blowing out strong air.
- <4> When set to "LO cool", air-con will start cooling at low speed , blowing out gentle air.
- <5> When set to "OFF", air conditioner stops running.

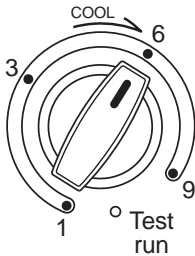


Hint

When mode selection switch is shifted to "HI fan" or "LO fan", air-con will only blow out air without cooling. While the air conditioner running, its mode selection shouldn't be shifted frequently between "HI fan" and "HI cool", "LO fan" and "LO cool".

Operation Guide

● Thermostat switch



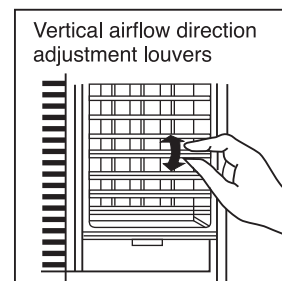
This switch will control preset indoor temp. to make air-con start or stop automatically, so as to reduce power consumption and possess an economical and worthwhile cool circumstance.

Remarks: The compressor will stop running when the set temperature is reached but the fan remains running to realize the even indoor temperature.

Operate the switch as follows: Temp. decreases as the switch is turned from "1" to "9". Temp. increases as the switch is turned from "9" to "1", Test run marked with "○" means air-con is in trial operation. When set to this position, air-con will run continuously regardless of temp. setting. Don't use test run for normal operation.

Vertical Airflow Direction Vane (Airflow direction adjustment Up-and-Down)

The Vertical Airflow Direction Vane is controlled by positioning the vane to discharge the air upwards, downwards or straight out.



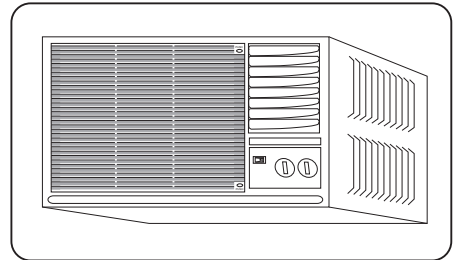
Maintenance

NOTE: Always unplug the air conditioner before servicing or moving it.

When dirt accumulates on air filter, air circulation will be blocked, which causes poor cooling. It is advisable to clean air filter every two weeks for longer operation.

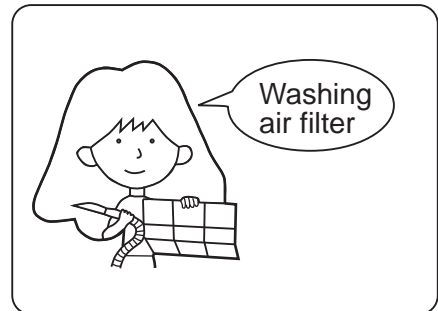
Removal of air filter

1. Loosen the air inlet by pushing "PUSH" at both sides of air inlet.
2. Open the air inlet.
3. Remove the air filter.



Air filter cleaning

1. Gently flap the dirt off the air filter.
2. Carefully wash air filter in warm water (below 40°C). To obtain better cleaning effect, soap water or neutral detergent may be used.
3. Flush air filter carefully with clean water after removing dirt. Let it dry completely.



Installation of filter

1. Replacing the air filter.
2. Push the air inlet marked with "PUSH" until you hear a click.

Maintenance

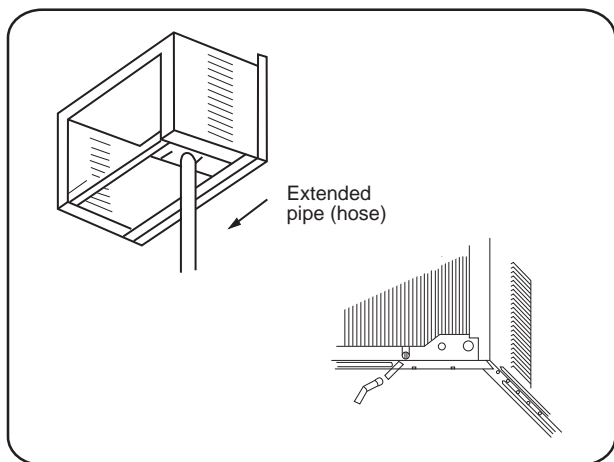
Disposal of condensate

1. The drain hole on the bottom of the air conditioner will be clogged by a rubber stopper to make the condensate in the bottom tray be spattered onto the condensation to raise efficiency of heat exchange. If the spattering sound disturbs you, you can adopt the method illustrated below.

Condensate runs out from the drain hole on the back of the unit.

2. Remove the rubber stopper from the drain hole on the bottom in order to make the condensate run out. In this method the efficiency of air conditioner will be slightly lowered.

In the both methods above, an extended hose (available on the market) can be connected to the drain connecting pipe if necessary.

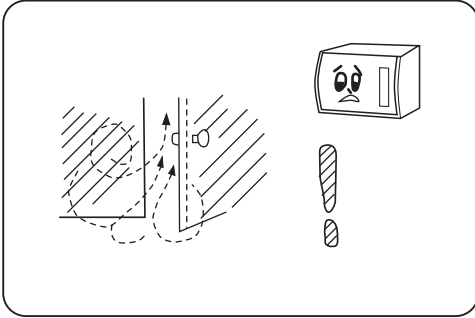


Cautions

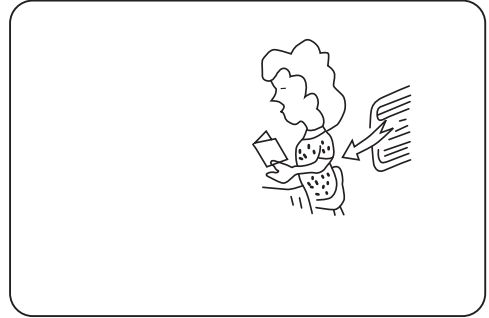
- Power cord: Be sure to use the exclusive power cord.
- Change installation place: If air-con need to be changed to another place please contact the dealer, who sold you the unit.

Maintenance

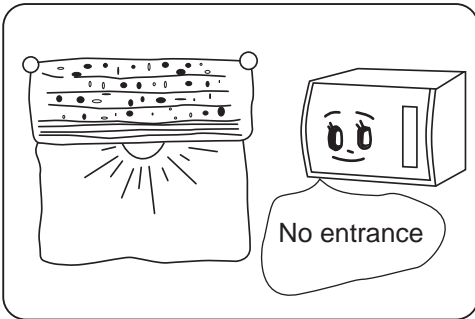
- Avoid opening door and window unless necessary.



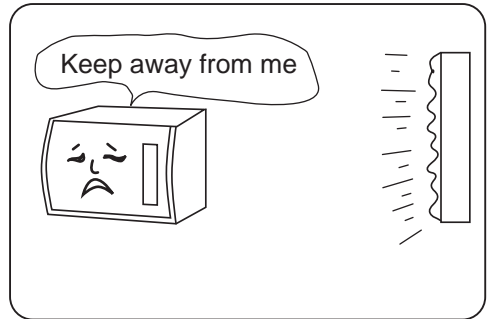
- Don't be exposed to cold air for a long time.



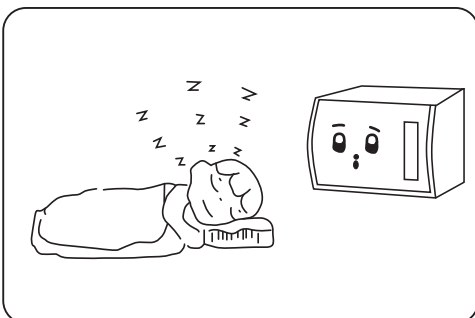
- Use curtain or blind
Direct sunlight may reduce cooling effect, always use window curtain.



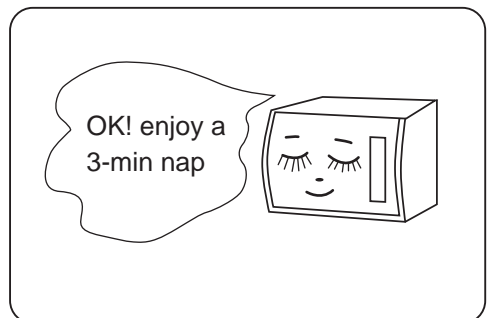
- Keep heat source away from air conditioner.



- Set temp. a little bit higher before going to bed.

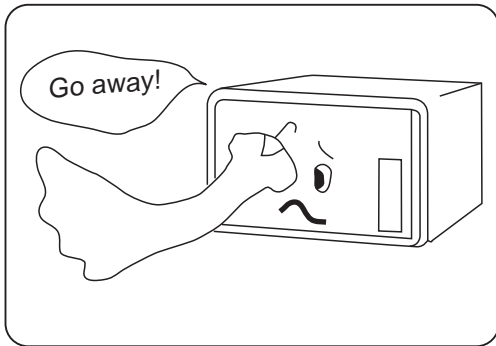


- After unit stops, don't restart it until 3 min. have elapsed.

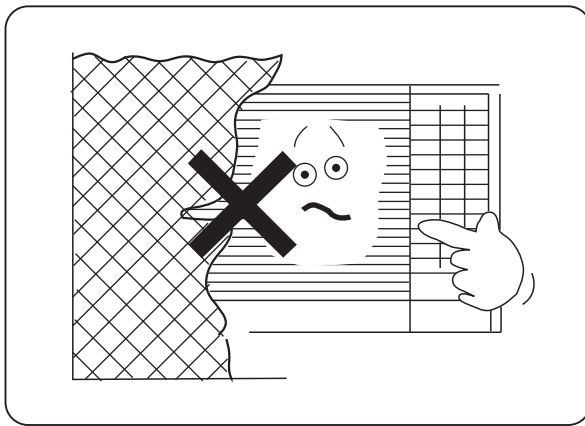
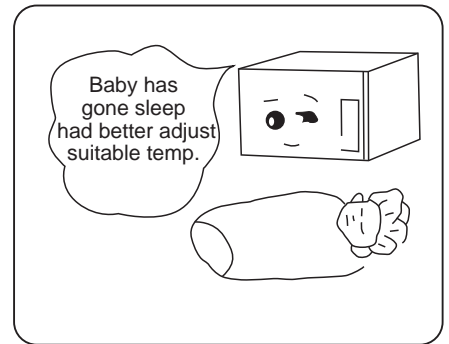


Cautions

- Don't hang clothes in the vicinity of air inlet. This will decrease cooling effect and cause abnormal operation.



- Temperature should be set properly when there are infant, child, the aged or disabled in room.



- Before operating mode selection switch, check if the air inlet or outlet have been blocked.

For longer and trouble-free operation of the unit, pay special attention to the following:

- Install air-con at a place strong enough to support the unit.
- Leave enough space around air inlet and outlet for better circulation.
- Avoid places where flammable gas leaks.
- Problems may occur if unit is installed in the following places:
Place where oil exists in the air including engine oil or seaside with salt breeze blowing and hot spring area with sulphureous gas in the air.

Trouble Shooting

Phenomenon	Check the unit	Resolution
Doesn't work	Is plug firmly inserted? Does fuse get burned? Is there power?	Readjust power supply or replace fuse.
No cool air or poor cooling	Is thermostat switch wrongly adjusted?	Readjust the thermostat.
	Is direct sunlight in the room?	Use curtain or blind.
	Is mode selection switch set to "Hi fan" or "Lo fan"? Is door or window left open?	Shut doors and windows.
	Are there any obstacles blocking air inlet and outlet?	Remove the obstacles.
	Is there too much heat source in the room?	Remove the heat source.
	Is air filter clogged?	Clean it.

If problems can not be solved please pull out power plug and contact your dealer.

Installation instruction

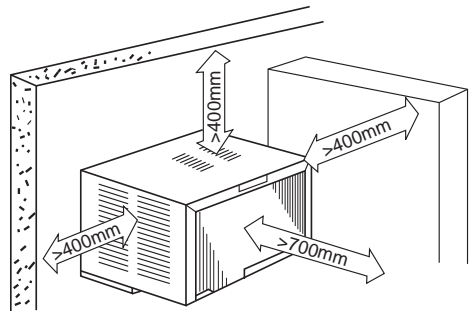
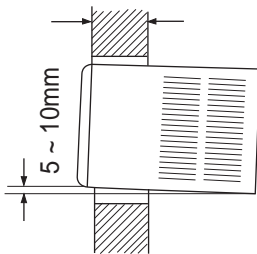
Selection of the installation position

1. Select position where the structure is firm.
2. Select position where the air inlet and outlet are smooth without obstacles.
3. Select position where the cooled air can be blown to every corner.
4. Select position where there's no direct sunlight. If the sunlight is inevitable, sun shading device is required.
5. Select position where the outdoor airflow will not influence the neighbors.
6. Select position where the drainage is smooth.
7. Select position where there's no dangerous gas or oil smoke nearby.
8. An extension cord is not recommended.

Installation diagram

It should be installed like this: the back side (outdoor side) is lower so that the drained water can flow out smoothly.

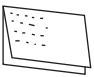
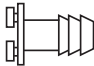

Width of the wall should be less than 295mm



Requirements on electricity

Be sure to use specific power circuit.

The enclosed accessories of the conditioner are:

Name	Manual	Water outlet pipe	Seal ring
Figure			
Quantity	1	1	1

Installation instruction

The installation of air conditioner(only for reference)

1. Cut a wall hole or a window hole (see Fig.1).

	A	B
HW-09CV03	350	530
HW-12CV03	350	530

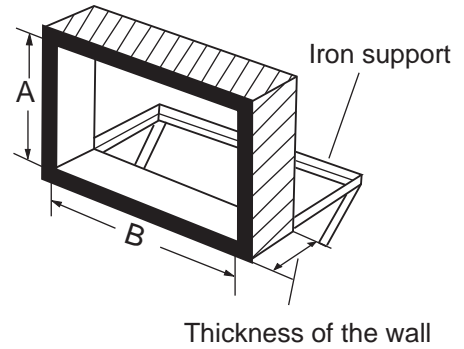


Fig.1

2. Fix the iron support in a firm place with expansible screws.
3. Take the air conditioner and its attachments out from the packing carton.
4. Let the rear of the air conditioner raise slightly, the drain hole on the bottom can be seen.
Clog it with a black rubber stopper attached to the air conditioner (see Fig.2).

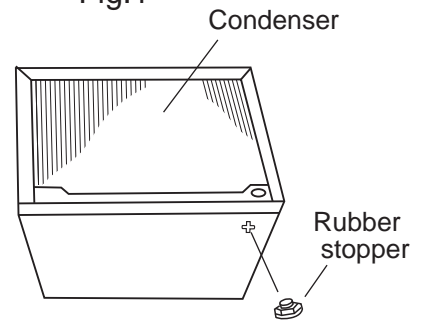


Fig.2

5. Insert the drain connecting pipe (with a seal circle) attached to the air conditioner into the vertical drain hole on the bottom (see Fig. 3).

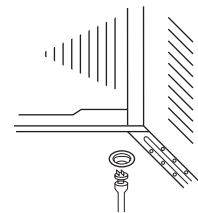


Fig.3

6. The condensate needing to be led to the designated place, buy a soft plastic pipe with internal diameter of 16mm to connect the drain connecting pipe and tied it tightly.
7. All attachments being fixed, put the air conditioner on the iron support. If there is a drain hose, lead it to a required place (see Fig.5).

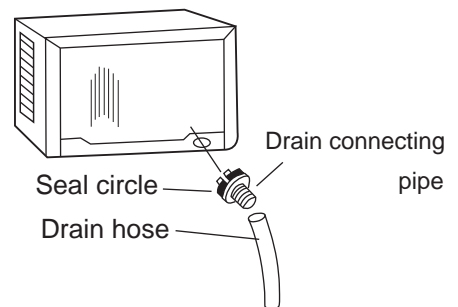


Fig.4

Installation instruction

8. Chink the wall and window with soft sponges or rubber bits in order to refrain from outside noises coming in or cooling air going out.
9. Air conditioner being fixed, insert the power plug in the socket, open the operation panel cover, turn the temperaure setting to "Test run", turn successively the mode selection to "Hi fan" and "Hi cool", "Lo cool" and "Lo fan", inspect the air conditioner's start and running performance.
10. If "Test run" is normal, turn mode selection to "OFF", turn the temperature setting to "9". Now the air conditioner is ready for use.

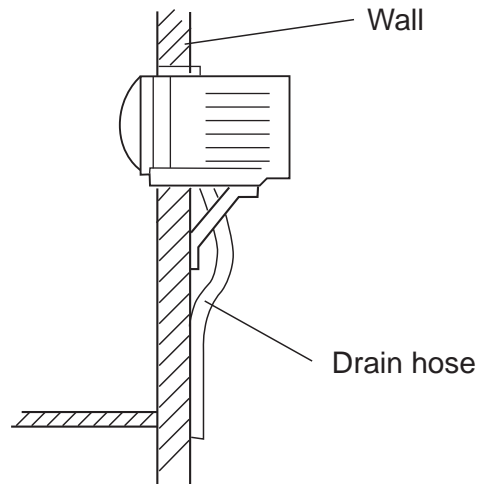


Fig. 5

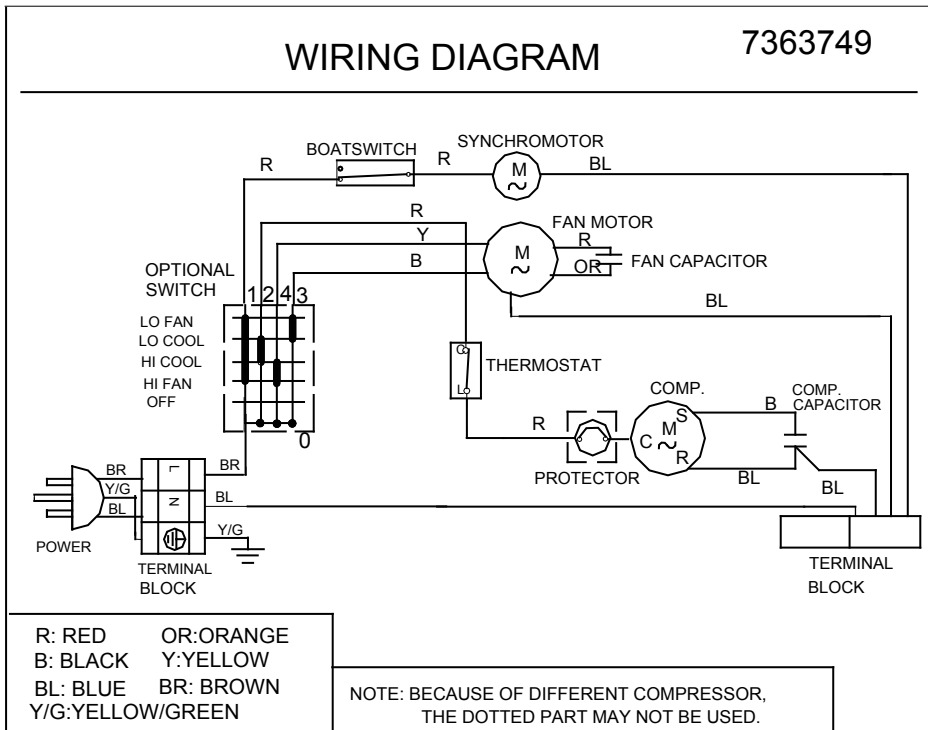
The machine is adaptive in following situation

1. Applicable ambient temperature range:

Cooling	Indoor side	Maximum: D.B/W.B	32°C/23°C
		Minimum: D.B/W.B	18°C/14°C
	Outdoor side	Maximum: D.B/W.B	43°C/26°C
		Minimum: D.B	18°C

2. If the supply cord is damaged, it must be replaced by the manufacturer or its service agent or a similar qualified person. Power cable: 3x1.5mm²
3. After installation, the power plug should be easily reached.
4. The wiring method should be in line with the local wiring standard.

Wiring Diagram



	Capacity(W)	Power(w)	Current(A)	Circulation Airflow(m/h)	Dehumidification Capacity(10.M/h)	Dimensions(mm) L*W*H	Net weight	12 Month Guarantee
HW-09CV03	2600	980	5.0	330	1.2	605X560X405	36Kg	Yes
HW-12CV03	3500	1300	6.3	380	1.5	605X560X405	42Kg	Yes



Haier THERMOCOOL produce high quality air-conditioners, which are strong, reliable, elegantly styled-yet practical and long lasting for the most demanding tropical climate and conditions.

Haier THERMOCOOL new generation air-conditioners are convenient to use, highly efficient, energy saving and are built for quiet running to withstand voltage fluctuations.

unique **Haier THERMOCOOL** 12MONTH GUARANTEE gives you peace of mind and assured satisfaction from the moment of purchase. The 12 MONTH GUARANTEE covers:

- Free parts replacement under warranty
- Free repairs under warranty

With 3 years warranty on all air- conditioner compressors, you have peace of mind from the date of purchase

Unique **Haier THERMOCOOL** NATIONWIDE SALES AND SERVICE NETWORK offers you fast reliable service and replacement spare parts which will normally be available for many years. Sales and service is available in ILUPEJU, IBADAN, BENIN, WARRI, PORT HARCOURT, ABA, ENUGU, ONITSHA, KADUNA, KANO, JOS, MAIDUGURI, ABUJA, Contact TPZ or your local **Haier THERMOCOOL** distributor for information

Haier THERMOCOOL reserves the right to amend specifications without notice as part of its continuous improvement programme. **Haier THERMOCOOL** is a registered trademark

HPZ Ltd

Haier THERMOCOOL sales office

45/47 Town Planning Way, Ilupeju PM.B 21132 Ikeja.

Lagos, Nigeria

TEL: 234-(0)1-4973460-8 Fax: 234-(0)1-4962076

E-mail: sales@hpz.com.ng

Free Manuals Download Website

<http://myh66.com>

<http://usermanuals.us>

<http://www.somanuals.com>

<http://www.4manuals.cc>

<http://www.manual-lib.com>

<http://www.404manual.com>

<http://www.luxmanual.com>

<http://aubethermostatmanual.com>

Golf course search by state

<http://golfingnear.com>

Email search by domain

<http://emailbydomain.com>

Auto manuals search

<http://auto.somanuals.com>

TV manuals search

<http://tv.somanuals.com>