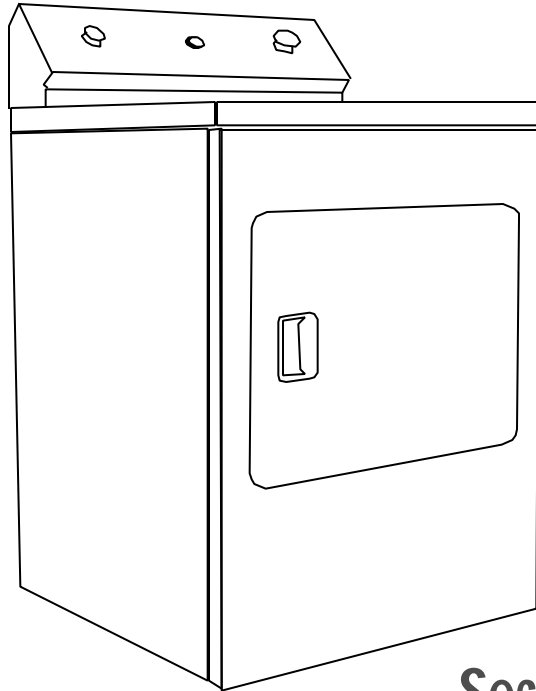


**Haier**<sup>®</sup>  
What The World Comes Home To™



**Electric  
Dryer**

**Sèche-Linge  
Électrique**

**Secador-Eléctrico**

***User Manual-***

*Model #*

***Guide de l'Utilisateur-***

*Modèle*

***Manual del Usuario-***

*Para Modelo de*

**GDZ22-1**

# IMPORTANT SAFETY INSTRUCTIONS

**Warning – To reduce the risk of fire, electric shock, or injury to persons when using your appliance, follow basic precautions, including the following:**

1. **Read all instructions before using the appliance.**
2. Do not dry articles that have been previously cleaned in, washed in, soaked in, or spotted with gasoline, dry-cleaning solvents, or other flammable or explosive substances, as they give off vapors that could ignite or explode.
3. Do not allow children to play on or in the appliance. Close supervision of children is necessary when the appliance is used near children.
4. Before the appliance is removed from service or discarded, remove the door to the drying compartment.
5. Do not reach into the appliance if the drum is moving.
6. Do not install or store this appliance where it will be exposed to water and/or to the weather.
7. Do not tamper with controls.
8. Do not repair or replace any part of the appliance or attempt any servicing unless specifically recommended in the user-maintenance instructions or in published user-repair instructions that you understand and have skills to carry out.
9. Do not use fabric softeners or products to eliminate static unless recommended by the manufacturer of the fabric softener or product.
10. Do not use heat to dry articles containing foam rubber or similarly textured rubber-like materials.
11. Clean lint screen before or after each load.
12. Keep area around the exhaust opening and adjacent surrounding areas free from the accumulation of lint, dust and dirt.
13. The interior of the appliance and the exhaust duct should be cleaned periodically by qualified service personnel.
14. Do not place items exposed to cooking oils in your dryer. Items contaminated with cooking oils may contribute to a chemical reaction that could cause a load to catch fire.
15. If material has been used with any flammable liquids or solids it should not be used in the dryer until all traces of the flammable liquids and its fumes have been removed.

16. This dryer must be properly installed in accordance with the installation instructions before it is used. See grounding instructions in the installation section.
17. Proper grounding must be ensured to reduce the risk of electric shock and fire. Check with a qualified electrician or service personnel if you are in doubt as to whether the dryer is properly grounded.
18. Use the dryer only for its intended purpose, drying clothes.
19. Always disconnect dryer from electrical supply before attempting any service. Disconnect power cord by grasping the plug, not the cord.
20. Replace worn power cords and/or loose plugs.
21. To reduce the risk of electric shock or fire, do not use extension cords or adapters to connect dryer to electrical power source.

**SAVE THESE INSTRUCTIONS**  
For Future Use

English

# DANGER

**Risk of child entrapment. Before you throw away your old dryer, take off the door so that children may not easily get trapped inside.**

Thank you for using our Haier product. This easy-to-use manual will guide you in getting the best use of your dryer.

\_\_\_\_\_ *Model number*

\_\_\_\_\_ *Serial number*

Remember to record the model and serial number. They are on a label in back of the dryer.

\_\_\_\_\_ *Date of purchase*

Staple your receipt to your manual. **You will need it to obtain warranty service.**

## WARNING

As dry cleaning solvents, gasoline, vegetable and cooking oils are highly hazardous materials, items soaked in or spotted with such should not be used in the dryer. Items may still contain a substantial amount of the hazardous material after being washed. When such items are exposed to heat they could ignite. As clothes are stacked and piled up in the dryer the heat cannot escape. Due to this, items become hot enough to possibly ignite. Washing in hot water with extra detergent would reduce but not eliminate the risk of fire.

# Table Of Contents

	<b>PAGE</b>
<b>Safety Instructions</b> .....	<b>1</b>
<b>OPERATING INSTRUCTIONS</b> .....	<b>5</b>
Features .....	<b>5</b>
Other Features .....	<b>7</b>
Operations .....	<b>8</b>
Normal Operating Sounds.....	<b>9</b>
Tips .....	<b>9</b>
<b>Care and Cleaning Guide</b> .....	<b>10</b>
<b>Troubleshooting</b> .....	<b>11</b>
<b>INSTALLATION INSTRUCTIONS</b> .....	<b>12</b>
Tools and Materials Required.....	<b>12</b>
Electrical Requirements .....	<b>12</b>
Unpacking Your Dryer.....	<b>12</b>
<b>Exhaust System Connections</b> .....	<b>13</b>
Requirements and Instructions .....	<b>13</b>
Materials .....	<b>14</b>
Location of Your Dryer.....	<b>16</b>
Installation in Mobile Home .....	<b>17</b>
<b>Electrical Connections</b> .....	<b>18</b>
Requirements and Instructions .....	<b>18</b>
3-Wire Cord Connections .....	<b>19</b>
4-Wire Cord Connections .....	<b>20</b>
<b>Warranty</b> .....	<b>22</b>

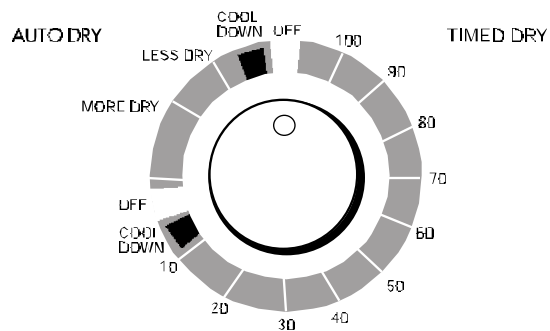
English

## OPERATING INSTRUCTIONS

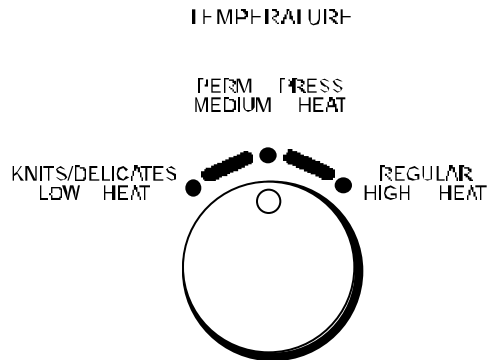
**WARNING:** To reduce the risk of fire, electric shock or injury to persons, read the IMPORTANT SAFETY INSTRUCTIONS before operating this dryer.

### Features

#### Control Knob:



1. **Dry Timer:** Lets you set the time to dry your clothes, depending on the fabric type and depending on the load size. This is designed for you to set the number of minutes needed to dry the clothes. This cycle provides up to 100 minutes of drying time at the temperature selection of your choice. Drying time varies depending on size and dampness of the load, weight and fabric type. Room temperature, humidity, type of installation and electric voltage can also affect drying time.
2. **Auto Dry:** Lets you set the dryer to a preset dry cycle. This is designed for the casual cottons. E.g. Jeans, etc. This cycle is best for regular and permanent press items that can be tumble-dried. Drying time is determined automatically at the temperature selection of your choice. Here the cycle works better when items of similar fabric, weight and construction are dried together.

**Temperature Knob:**

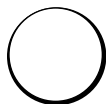
Temperature Setting Control: To set the heat drying temperature, of the dryer load, depending on the fabric type.

- Low Heat: for knitted and delicate clothes.
- Med. Heat: for permanent press, synthetic clothes.
- High Heat: for regular clothes.

Always follow directions on fabric care labels. To avoid fire do not use heat to dry items containing feathers, foam rubber or similar textured rubber-like material.

**Start Knob:**

START



Start Button / Power On: Push Start button for 2 seconds to power on the Dryer after loading. Unit will automatically stop once the dryer door is opened. The start button must be once again pushed to resume operation once the door is closed.

## Other Features

Your dryer also has the following features for your convenience:

**Dry Sensor:** (feature only active in auto dry cycle)

- This senses the dampness in the clothes. The dryer will automatically shut itself off once it senses that the clothes are dry.

**End of Cycle Signal:**

- Your dryer is equipped with an audible signal that will alert you every time the dryer load is finished drying.

**Lint Filter:**

- All dryers come with a lint filter that needs to be cleaned before or after every use (read "Care and Cleaning Guide" Section).

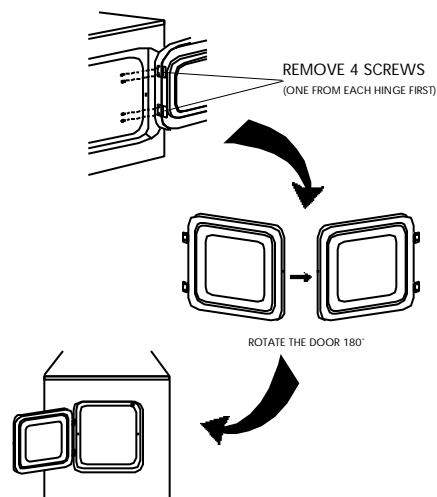
**Leveling Legs:**

- Your dryer has four leveling legs which are located in the front and rear corners of your dryer. After properly placing your dryer in its final position, you can level your dryer.
- Leveling legs can be adjusted by turning them clockwise to raise your dryer or by turning them counterclockwise to lower your dryer.

**Reversible Door:**

Your dryer is designed so the door swing may be reversed at any time without additional parts. Conversion is accomplished by transferring hinges to the opposite side of the cabinet.

1. Open the dryer door.  
Remove the four hinge hole plugs from the left side of the door opening.
2. Remove the four screws that secure the door hinges to the dryer.
3. Rotate the door 180° and reinstall the door hinges to the dryer front panel with the four screws.
4. Install the four hinge hole plugs in the open screw holes on the right side of the door opening.





## Operations

1. Sort clothes for drying. Separate dark and light colored items, like you do for washing. Check for stains that may not have been removed in washing. Dryer heat may permanently set some stains. Properly dried clothes will need minimum of care when removed from dryer.
2. Load up dryer with washed clothes. For optimum results, use dryer load of similar fabric, weight and construction. Place small items in a mesh bag to prevent from tangling. Do not overload the dryer. An average load will fill up half the drum. Add fabric softener sheet if desired.
3. Select the drying temperature depending on the fabric type. Refer to fabric care label directions before selecting the temperature.
4. Select the drying time depending on the fabric type and the load size.
5. Push the start button to start the drying cycle.
6. Wait for drying cycle to finish before opening the dryer door. A buzzer will ring when the cycle is complete.
7. Clean the lint filter after every load and before each use. A clean filter ensures sufficient drying. A layer of lint on the filter reduces airflow through the clothes and prolongs drying time.

**Note:** Do not over dry clothes. Over drying can cause shrinkage, harshness and wrinkling of the fabric.

**English**

## Normal Operating Sounds

Following sounds are normally heard during the operation of the dryer.

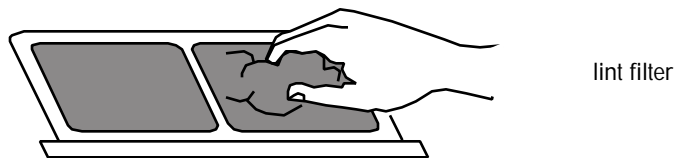
- **Tumbling sounds:** This is normal as the heavy wet clothes in the dryer are continuously being tossed around.
- **Air rushing noise:** This happens as the dryer drum spins at very high RPM and the air is rushing through the dryer drum.
- **Timer clicks** may be heard.

## Tips

- For best drying results, clean the lint filter before and after every use.
- Do not overload the dryer.
- Balance the dryer load, evenly throughout the dryer for the best results.
- Drying time depends on many variables: load size, type of fabric and moisture in it, heat and moisture in the room, electric voltage, length of the exhaust duct, etc.
- To eliminate guessing and conserve energy, we recommend for certain clothes to choose an Auto Drying setting.
- Always follow the fabric care instructions supplied by the garment manufacturer.

## Care and Cleaning Guide

- Lint filter needs to be cleaned before and after each use for your unit to operate at optimum efficiency. The filter can be slid out, by pulling on the tab located on the inside of the dryer door. The filter may be washed or vacuumed. Remove the excess water from the filter by gently shaking the filter. This will remove dust and particles trapped in the filter. Lint build-up in screen restricts airflow, which causes longer drying times. After cleaning, slide the filter back in place. **DO NOT USE YOUR DRYER WITHOUT THE LINT FILTER.**



- Do not use any type of spray cleaner when cleaning the interior. Hazardous fumes or electric shock could occur. If dryer drum becomes stained, clean the drum with a damp cloth. Remove any residue before drying the next load.
- Clean cabinet with mild soap and water. Do not use harsh or abrasive cleaners, this could damage the dryer.
- Clean the duct and the vent on a regular basis to avoid clogging which could affect the efficiency of the dryer.

## Troubleshooting

### **Dryer does not operate:**

- Check if unit is plugged in. The plug may have come loose.
- Check if the electrical wall receptacle is of proper voltage.
- Check if the circuit breaker needs to be reset or if the fuse needs to be replaced.
- Check if the unit is in "Off" mode. Press Start button again.
- Check if door is open.

### **Dryer is working but not drying the clothes:**

- Unit may be over loaded. The dryer drum should only be half full.
- Check exhaust ducts and vent. Vent should be free of all obstructions.
- Duct should be lint and dust free. Ducts should be cleaned regularly.
- Dryer load needs to be resorted. Heavy clothes may need to be separated from regular clothes.
- Bulky clothes may require repositioning.
- If clothes dry unevenly a higher dry setting may be required or clothes in the dryer may need to be resorted.

### **Dryer making noise when drying:**

- Coins, loose change, buttons and other heavy objects could make noise.
- Dryer may need to be leveled evenly.  
Read Operating Guide – Normal Operating Sounds.

### **Static:**

- Caused by over drying. Adjust for shorter drying time.
- Mixed with synthetic fabric. Sort and separate different fabrics.
- Use a fabric softener.

# INSTALLATION INSTRUCTIONS

Select a suitable location for the dryer on a hard even surface away from direct sunlight or heat source e.g. radiators, baseboard heaters, cooking appliances etc. Any floor unevenness should be corrected with the leveling legs located on the bottom of the dryer.

## Tools and Materials Required

- Phillips head and flathead screwdrivers
- Channel-lock adjustable pliers
- 1/2 inch open end wrench
- Carpenter's level
- Measuring tape (12ft. min.)
- Duct tape
- Rigid or flexible metal 4 inch (10.2 cm) duct
- Vent hood

## Electrical Requirements

### **Power Supply:**

3 or 4 wire, 240 Volt, 30 Amp, 60Hz, 1 Phase

### **Power Supply Cord Kit:** (not supplied when sold in the United States)

The dryer MUST employ a 3-conductor power supply cord NEMA 10-30 type SRDT rated at 240 Volt AC minimum, 30 Amp., with 3 open end spade lug connectors with upturned ends or closed loop connectors and marked for use with clothes dryers. If being installed in a manufactured (mobile) home, the dryer MUST employ a 4-conductor power supply cord NEMA 14-30 type SRDT or ST (as required) rated at 240 Volt AC minimum, 30 Amp., with 4 open end spade lug connectors with upturned ends or closed loop connectors and marked for use with clothes dryers. See Electrical Connections for A 4-Wire System.

## Unpacking Your Dryer

1. Remove all packaging material. This includes the foam base and all adhesive tape holding the dryer accessories inside and outside.
2. Inspect and remove any remains of packaging, tape or printed materials before using the dryer.

# Exhaust System Connections

## Requirements and Instructions

### WARNING



*The following are specific requirements for proper and safe operation of your dryer. Failure to follow these instructions can create excessive drying times and fire hazards.*

1. Do not use plastic flexible duct to exhaust the dryer. Excessive lint can build up inside exhaust system and create a fire hazard and restrict air flow. Restricted air flow will increase dryer times. If your present system is made up of plastic duct or metal foil duct, replace it with a rigid or flexible metal duct. Ensure present duct is free of any lint prior to installing dryer duct.
2. If the dryer is not exhausted out doors, some fine lint will be expelled into the laundry area. An accumulation of lint in any area of the home can create a health and fire hazard. To reduce risk of fire, dryer **MUST BE EXHAUSTED OUTDOORS**.
3. Do not allow combustible material (for example: clothing, draperies/curtains, paper) to come in contact with exhaust system. The dryer must not be exhausted into a chimney, a wall, a ceiling, or any concealed space of a building which can accumulate lint, resulting in a fire hazard.
4. Exceeding the length of duct pipe or number of elbows allowed in the "Maximum Length" charts can cause an accumulation of lint in the exhaust system. Plugging the system could create a fire hazard, as well as increase drying times.
5. Do not screen the exhaust ends of the vent system, nor use any screws or rivets to assemble the exhaust system. Lint can become caught in the screen, on the screws or rivets, clogging the duct work and creating a fire hazard as well as increasing drying times. Use an approved vent hood to terminate the duct outdoors, and seal all joints with duct tape. All male duct pipe fittings must be installed downstream with the flow of air.



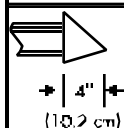
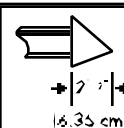
#### **Explosion hazard:**

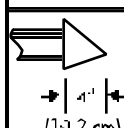
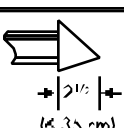
Do not install the dryer where gasoline or other flammables are kept or stored. If the dryer is installed in a garage, it must be minimum of 18 inches (45.7 cm) above the floor. Failure to do so can result in death, explosion, fire or burns.

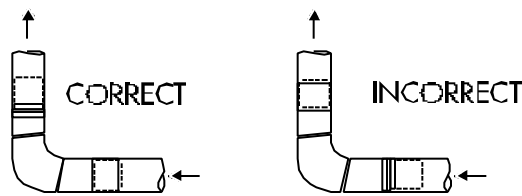
## Materials

Use only 4 inch (10.2 cm) diameter (minimum) rigid or flexible metal duct and approved vent hood which has a swing-out damper hat open when the dryer is in operation. When the dryer stops, the dampers automatically close to prevent drafts and the entrance of insects and rodents. To avoid restricting the outlet, maintain a minimum of 12 inches (30.5 cm) clearance between the vent hood and the ground or any other obstruction. The vent flap should be able to move freely.

### MAXIMUM EXHAUST LENGTH

Number of 90° elbows	Rigid Metal Duct	
	VENT HOOD TYPE (preferred)	
	 Louvered 4" (10.2 cm)	 2" (5.33 cm)
0	52ft. (15.88 m)	48ft. (14.63 m)
1	52ft. (15.88 m)	40ft. (12.19 m)
2	44ft. (13.41 m)	32ft. (9.75 m)
3	32ft. (9.75 m)	24ft. (7.31 m)
4	24ft. (7.31 m)	16ft. (4.87 m)

Number of 90° elbows	Flexible Metal Duct	
	VENT HOOD TYPE (preferred)	
	 Louvered 4" (10.2 cm)	 2" (5.33 cm)
0	30ft. (9.14 m)	18ft. (5.49 m)
1	22ft. (6.71 m)	14ft. (4.27 m)
2	14ft. (4.27 m)	10ft. (3.05 m)



INSTALL MALE FITTINGS IN THE CORRECT DIRECTION

**English**

After installation is completed, the following method must be used to determine if the exhaust system is acceptable:

1. Connect an inclined or digital manometer between the dryer and the point the exhaust connects to the dryer.
2. Set the dryer timer and temperature to air fluff (cool down) and start the dryer.
3. Read the measurement on the manometer.
4. The system back pressure must not be higher than 0.75 inches of water column. If the system back pressure is less than 0.75 inches of water column, the system is acceptable. If the manometer reading is higher than 0.75 inches of water column, the system is too restrictive and the installation is unacceptable.

Although vertical orientation of the exhaust system is acceptable, certain extenuating circumstances could affect the performance of the dryer:

1. Only the rigid metal duct work should be used.
2. Venting vertically through a roof may expose the exhaust system to down drafts causing an increase in vent restriction.
3. Running the exhaust system through an area not insulated may cause condensation and faster accumulation of lint.
4. Compression or crimping of the exhaust system will cause an increase in vent restriction.

The exhaust system should be inspected and cleaned a minimum of every 18 months with normal usage. The more the dryer is used, the more often you should check the exhaust system and vent hood for proper operation.



## Location of Your Dryer

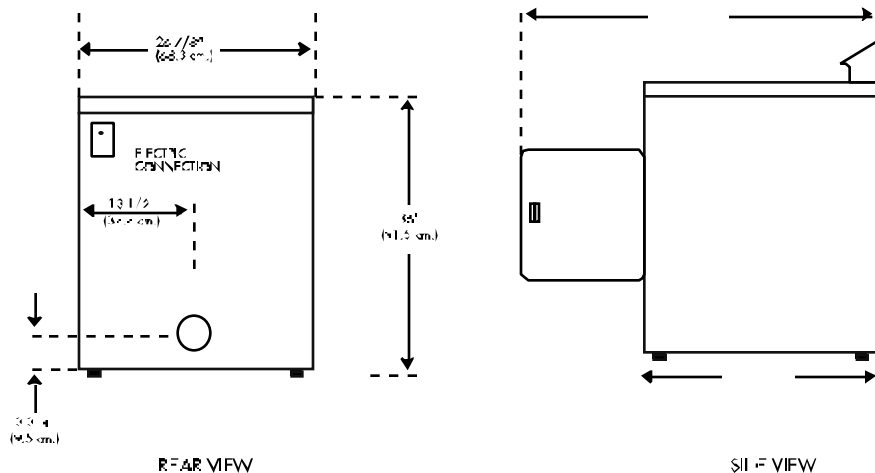
### Do Not Install Your Dryer:

- In an area exposed to dripping water or outside weather conditions.
- In an area where it will come in contact with curtains, drapes, or anything that will obstruct the flow of combustion and ventilation air.
- On carpet. Floor must be solid with a maximum slope of 1 inch (2.54 cm).

### Installation in Recess or Closet:

- A dryer installed in a bedroom, bathroom, recess or closet, must be exhausted outdoors.
- Your dryer needs the space around it for proper ventilation.
- A minimum of 120 square inches (774.2 square cm) of opening, equally divided at the top and bottom of the door, is required. Air openings are required to be unobstructed when a door is installed. A louvered door with equivalent air openings for the full length of the door is acceptable.

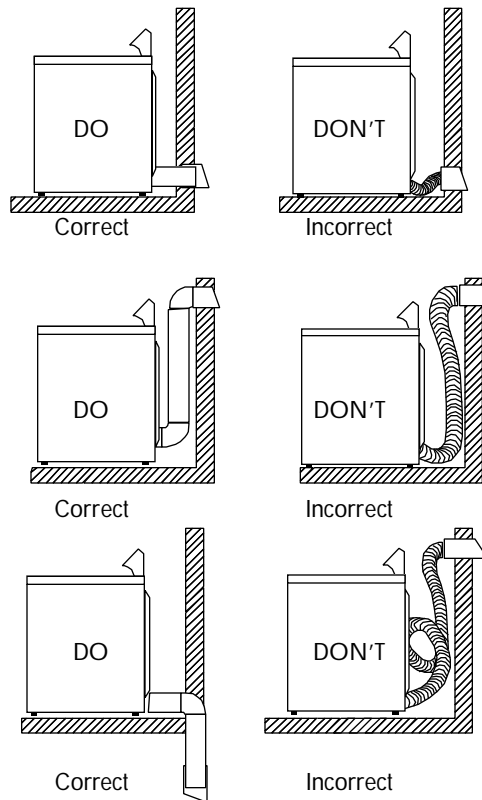
## ROUGH-IN DIMENSIONS



## Installation in Mobile Home

- Dryer must be exhausted outside (outdoors, not beneath the mobile home) using metal ducting that will not support combustion. Metal ducting must be 4 inches (10.16 cm) in diameter with no obstructions. Rigid metal duct is preferred.
- If dryer is exhausted through the floor and area beneath the mobile home is enclosed, the exhaust system must terminate outside the enclosure with the termination securely fastened to the mobile home structure.
- Refer to previous pages for other important venting requirements.
- Installation must conform to current Manufactured Home Construction & Safety Standard (which is a Federal Regulation Title 24 CFR-Part 32-80) or when such standard is not applicable, with American National Standard for Mobile Homes.

**Warning:** The dryer is designed under ANSI z 21.5.1 for home use only.



# Electrical Connections


## Requirements and Instructions

### WARNINGS

***The following are specific requirements for proper and safe electrical installation of your dryer. Failure to follow these instructions can create electrical shock and/or fire hazard.***

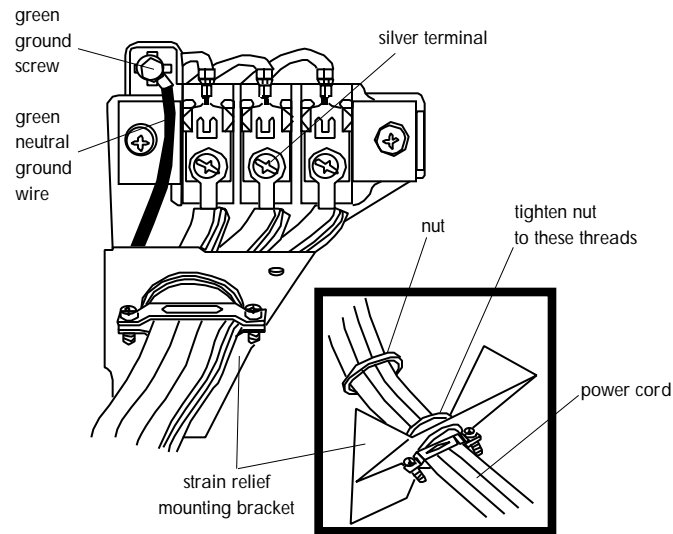
1. This appliance must be properly grounded. Electrical shock can result if the dryer is not properly grounded. Follow the instructions in this manual for proper grounding.
2. Do not use an extension cord with this dryer. Some extension cords are not designed to withstand the amounts of electrical current this dryer utilizes and can melt, creating electric shock and/or fire hazard. Locate the dryer within reach of the receptacle for the length power cord to be purchased, allowing some slack in the cord. Refer to the electrical requirements in this manual for the proper power cord to be purchased.
3. A U.L. approved strain relief must be installed onto power cord. If the strain relief is not attached, the cord can be pulled out of the dryer and can be cut by any movement of the cord, resulting in electrical shock.
4. Do not use an aluminum wire receptacle with copper wired power cord and plug (or vice versa). A chemical reaction occurs between copper and aluminum and can cause electrical shorts. The proper wiring and receptacle is a copper wired power cord with a copper wired receptacle.

**Note:** Dryers operating on 208 Volt power supply will have longer drying times than operating on 240 Volt power supply.

**Danger:**  Improper connection of the equipment grounding conductor can result in a risk of electrical shock. Check with a licensed electrician if you are in doubt as to whether the appliance is properly grounded. The dryer must be connected to a grounded metal, permanent wiring system, or an equipment grounding conductor must be run with the circuit conductors and connected to the equipment-grounding terminal or lead on the appliance.

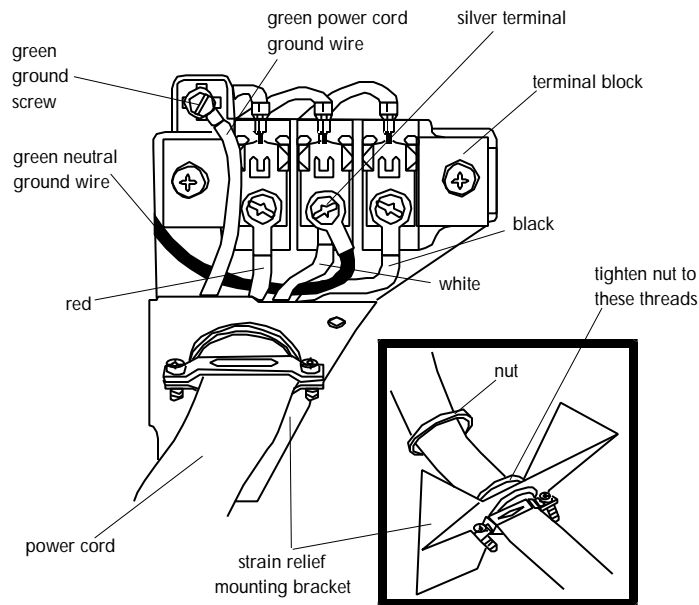
English

### 3-Wire Cord Connections

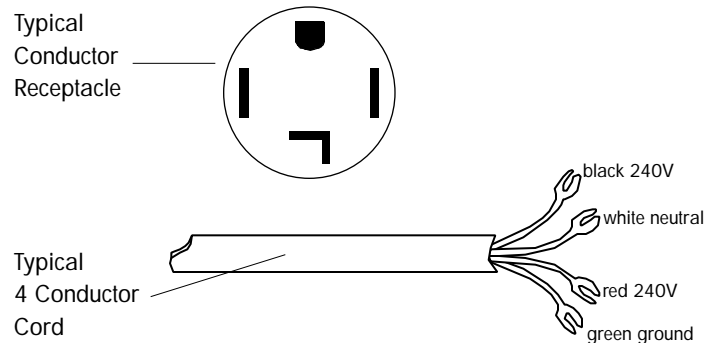


1. Remove the screws securing the terminal block access cover and the strain relief mounting bracket located on the back of the dryer upper corner.
2. Install a U.L. approved strain relief into the power cord entry hole of the mounting bracket. Finger tighten the nut only at this time.
3. Thread a U.L. Approved 30 Amp. Power cord, NEMA 10-30 Type SRDT, through the strain relief.
4. Attach the power cord neutral (center wire) conductor to the silver colored center terminal on the terminal block. Tighten the screw securely.
5. Attach the remaining two power cord outer conductors to the outer brass colored terminals on the terminal block. Tighten both screws securely. **Warning:** Do not make a sharp bend or crimp wiring/conductor at connections.
6. Reattach the strain relief mounting bracket to the back of the dryer with two screws. Tighten screws securely.
7. Tighten the screws securing the cord restraint firmly against the power cord.
8. Tighten the strain relief nut securely so that the strain relief does not turn.
9. Reinstall the terminal block cover.

## 4-Wire Cord Connections



1. Remove the screws securing the terminal block access cover and the strain relief mounting bracket located on the back of the dryer upper corner.
2. Install a U.L. approved strain relief into the power cord entry hole of the mounting bracket. Finger tighten the nut only at this time.
3. Remove the green neutral ground wire from the green ground screw located above the terminal block.



30 AMP NEMA 14-30 TYPE SRDT OR ST

**English**

4. Thread a U.L. approved 30 Amp power cord, NEMA 14-30 type ST or SRDT through the strain relief.
5. Attach the green power cord ground wire to the cabinet with green ground screw.
6. Attach the white (neutral) power cord conductor from the power cord and the green ground wire from the dryer harness to the silver-colored center terminal on the terminal block. Tighten the screw securely.
7. Attach the red and black power cord conductors to the outer brass-colored terminals on the terminal block. **Warning:** Do not make a sharp bend or crimp wiring/conductor at connections.
8. Tighten the screws securing the cord restraint firmly against the power cord.
9. Tighten the strain relief nut securely so that the strain relief does not turn.
10. Reinstall the terminal block cover.



**Caution:** Label all wires prior to disconnection, when servicing controls. Wiring errors can cause improper operations and be dangerous. Check unit for proper operation after servicing.



**Warning:** Discard or destroy the carton and plastic bags after the dryer is unpacked. Children should not be allowed to use them to play with. Cartons covered with rugs, bedspreads, or plastic sheets can become an airtight chamber and cause suffocation leading to death. Make all packing materials inaccessible to children.



**Warning:** The instructions in this manual and all other literature included with this dryer can not cover every possible condition and situation that may occur. Good safe practice and caution must be applied when installing, operating and maintaining any appliances. After installing, if you are in doubt, call a certified electrician to install and wire the dryer.

## Limited Warranty

### Full ONE Year In-Home Warranty

For 12 months from the date of original retail purchase, Haier will repair or replace any part free of charge including labor that fails due to a defect in materials or workmanship.

### Limited Warranty

After one year from the original retail purchase date, Haier will provide a part at no cost, as indicated below, to replace said part as a result of a defect in materials or workmanship. Haier is responsible solely for the cost of the part. All other costs such as labor, trip charge, etc are the responsibility of the owner.

#### Second Year

Haier will provide All Parts.

#### Third through Fifth Year

Haier will provide the drive motor or timer. Haier will provide the dryer drum should the drum rust through.

#### Third through Tenth Year

Haier will provide the cabinet assembly should the cabinet rust through.

**NOTE:** This warranty commences on the date the item was purchased and the original purchase receipt must be presented to the authorized service representative before warranty repairs are rendered.

### Exceptions: Commercial or Rental Use Warranty

90 days labor from date of original purchase. Excludes in-home trip charge.  
90 days parts from date of original purchase. No other warranty applies.

### For Warranty Service

Contact your nearest authorized service center. All service must be performed by a Haier authorized service center. For the name and telephone number of the nearest authorized service center please call 1-877-337-3639.

### Before calling please have available the following information:

Model number and serial number of your appliance (found on the rear of the unit on the upper left hand side).  
The name and address of the dealer you purchased the unit from and the date of purchase.  
A clear description of the problem.  
A proof of purchase (sales receipt).

**This warranty covers appliances within the continental United States, Puerto Rico and Canada.**

### What is not covered by this warranty:

Replacement or repair of household fuses, circuit breakers, wiring or plumbing.  
A product whose original serial number has been removed or altered.  
Premium service charges not specifically identified as normal, such as outside normal service area or hours.  
Damage to clothing  
Damage incurred in shipping  
Damage caused by improper installation or maintenance  
Damage from misuse, abuse accident, fire, flood, or acts of nature  
Damage from service other than an authorized Haier dealer or service center  
Damage from incorrect electrical current, voltage or supply  
Damage resulting from any product modification, alteration or adjustment not authorized by Haier.  
Adjustment of consumer operated controls as identified in the owners manual  
Hoses, knobs, lint trays and all attachments, accessories and disposable parts  
Labor, service transportation, and shipping charges for the removal and replacement of defective parts beyond the initial 12-month period.  
Damage from other than normal household use.  
Any transportation and shipping charges.

THIS LIMITED WARRANTY IS GIVEN IN LIEU OF ALL OTHER WARRANTIES, EXPRESSED OR, INCLUDING THE WARRANTIES OF MERCHANTABILITY AND FITNESS FOR A PARTICULAR PURPOSE

The remedy provided in this warranty is exclusive and is granted in lieu of all other remedies.

This warranty does not cover incidental or consequential damages, so the above limitations may not apply to you. Some states do not allow limitations on how long an implied warranty lasts, so the above limitations may not apply to you.

This warranty gives you specific legal rights, and you may have other rights, which vary, from state to state.

Haier America Trading L.L.C.  
New York, NY 10018.

## **IMPORTANT**

### **Do Not Return This Product To The Store**

If you have a problem with this product, please contact the "Haier Customer Satisfaction Center" at 1-877-337-3639.

DATED PROOF OF PURCHASE REQUIRED FOR WARRANTY SERVICE

## **IMPORTANT**

### **Ne pas Réexpédier ce Produit au Magasin**

Pour tout problème concernant ce produit, veuillez contacter le service des consommateurs 'Haier Customer Satisfaction Center' au 1-877-337-3639.  
UNE PREUVE D'ACHAT DATEE EST REQUISE POUR BENEFICIER DE LA GARANTIE.

## **IMPORTANTE**

### **No regrese este producto a la tienda**

Si tiene algún problema con este producto, por favor contacte el "Centro de Servicio al Consumidor de Haier" al 1-877-337-3639 (Válido solo en E.U.A).

NECESITA UNA PRUEBA DE COMPRA FECHADA PARA EL SERVICIO DE LA GARANTIA

240 V, 60 Hz

Made in China  
Fabriqué en Chine  
Hecho en China

**Haier**<sup>®</sup>  
*What The World Comes Home To™*

gdz22-1-02  
Issued: June-01

Haier America Trading, L.L.C.  
New York, NY 10018

Printed in China

Part # WD-9999-05



## Free Manuals Download Website

<http://myh66.com>

<http://usermanuals.us>

<http://www.somanuals.com>

<http://www.4manuals.cc>

<http://www.manual-lib.com>

<http://www.404manual.com>

<http://www.luxmanual.com>

<http://aubethermostatmanual.com>

Golf course search by state

<http://golfingnear.com>

Email search by domain

<http://emailbydomain.com>

Auto manuals search

<http://auto.somanuals.com>

TV manuals search

<http://tv.somanuals.com>