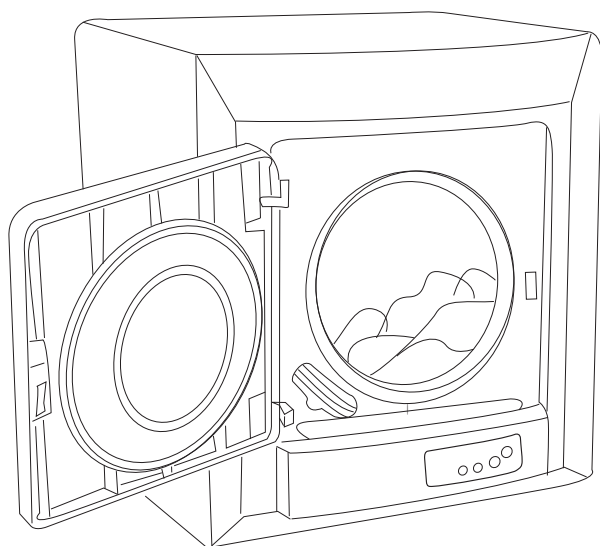


Haier

Electric Vented Tumble Dryer

Sécheuse Électrique Ventilée

Secadora eléctrica de ropa con ventilación



User Manual
Model HLP141E, HLP140E

Guide de l'Utilisateur
Modèle HLP141E, HLP140E

Manual del Usuario
Para Modelo de HLP141E, HLP140E

SMARTER LIFE BETTER PLANET

IMPORTANT SAFETY INSTRUCTIONS

WARNING - To reduce the risk of fire, electric shock, or injury to persons when using your appliance, follow the basic precautions, including the following:

1. **Read all instructions before using the appliance.**
2. Do not dry articles that have been previously cleaned in, washed in, soaked in, or spotted with gasoline, dry-cleaning solvents, or other flammable or explosive substances, as they give off vapors that could ignite or explode.
3. Do not allow children to play on or in the appliance. Close supervision of children is necessary when the appliance is used near children.
4. Before the appliance is removed from service or discarded, remove the door to the drying compartment.
5. Do not reach into the appliance if the drum is moving.
6. Do not install or store this appliance where it will be exposed to water and/or to the weather.
7. Do not tamper with controls.
8. Do not repair or replace any part of the appliance or attempt any servicing unless specifically recommended in the user-maintenance instructions or in published user-repair instructions that you understand and have skills to carry out.
9. Do not use fabric softeners or products to eliminate static unless recommended by the manufacturer of the fabric softener or product.
10. Do not use heat to dry articles containing foam rubber or similarly textured rubber-like materials.
11. Clean lint screen before or after each load. **DO NOT OPERATE THE DRYER WITHOUT THE LINT FILTER IN PLACE.**
12. Keep area around the exhaust opening and adjacent surrounding areas free from the accumulation of lint, dust and dirt.
13. The interior of the appliance and the exhaust duct should be cleaned periodically, preferably by qualified service personnel.
14. Do not place items exposed to cooking oils in your dryer. Items contaminated with cooking oils may contribute to a chemical reaction that could cause a load to catch fire.
15. If material has been used with any flammable liquids or solids it should not be used in the dryer until all traces of the flammable liquids and its fumes have been removed.
16. This dryer must be properly installed in accordance with the installation instructions before it is used.
17. Proper grounding must be ensured to reduce the risk of electric shock and fire. Check with a qualified electrician or service personnel if you are in doubt as to whether the dryer is properly grounded. See grounding instructions in the installation section.
18. Use the dryer only for its intended purpose, drying clothes.
19. Always disconnect dryer from electrical supply before attempting any service. Disconnect power cord by grasping the plug, not the cord.
20. Replace worn power cords and/or loose plugs.

SAVE THESE INSTRUCTIONS

HOUSEHOLD USE ONLY

DANGER

Risk of child entrapment. Before you throw away your old appliance, take off the door so that children may not easily get trapped inside.

⚠️ WARNING!

As dry cleaning solvents, gasoline, vegetable and cooking oil are highly hazardous materials, items soaked in or spotted with such should not be used in the dryer. Items may still contain a substantial amount of the hazardous material after being washed. When such items are exposed to heat they could ignite. As clothes are stacked and piled up the dryer the heat cannot escape. Due to this, items become hot enough to possibly ignite. Washing in hot water with extra detergent would reduce but not eliminate the risk of fire.

Thank you for purchasing our Haier product. This easy-to-use manual will guide you in getting the best use of your washer.

Model number

Serial number

Remember to record the model and serial number. They are on a label in back of the washer.

Date of purchase

Staple your receipt to your manual. **You will need it to obtain warranty service.**

Please register online at www.prodregister.com/Haier

ELECTRICAL REQUIREMENTS

Grounding Instructions:

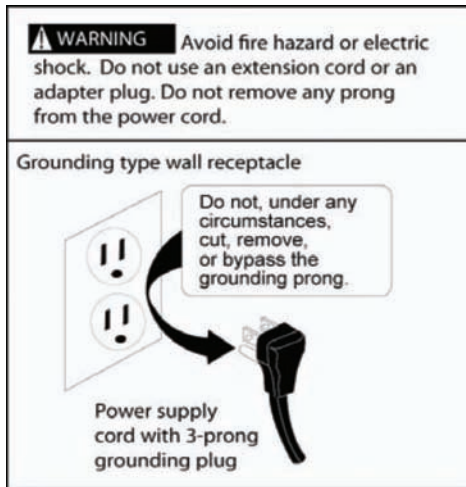
This appliance must be grounded. It is equipped with a 3-wire cord having a grounded plug. The plug must be plugged into an outlet which is properly installed and grounded

Warning – Improper use of the grounded wire can result in the risk of electric shock. Consult a qualified electrician if necessary. Do not attempt to defeat this safety feature by modifying the plug. Avoid the use of an extension cord because it may overheat and cause a risk of fire. However, if it is necessary to use an extension cord:

- A. Use only 3-wire extension cord with 3-blade grounding plug.
- B. The marked rating of the extension cord must be equal to or greater than the rating of this appliance.

⚠️ WARNING!

Avoid fire hazard or electric shock. Do not use an extension cord or an adapter plug. Do not remove any prong from the power cord.



Attempting any maintenance or cleaning:

To minimize the possibility of electric shock, unplug this appliance from the power supply or disconnect the dryer at the household distribution panel by removing the fuse or switching off the circuit breaker before attempting any maintenance or cleaning (except the removal and cleaning of the lint filter).

NOTE: Pressing the Power ON/OFF button to an off position or pressing Start / PAUSE button, does NOT disconnect the appliance from the power supply.

UNPACKING YOUR DRYER

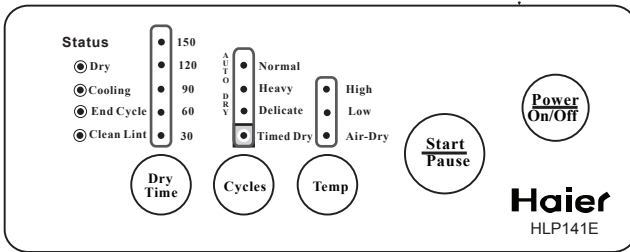
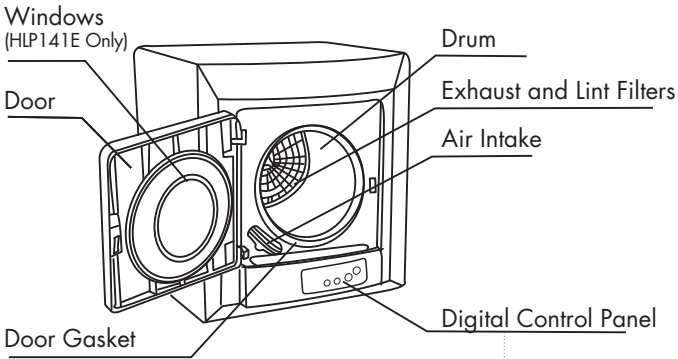
1. Inspect and remove all packing materials. This includes the foam and any adhesive tape both inside and outside of the unit.
2. Inspect and remove any remains of packing, tape or printed materials before powering on the dryer.

TABLE OF CONTENTS

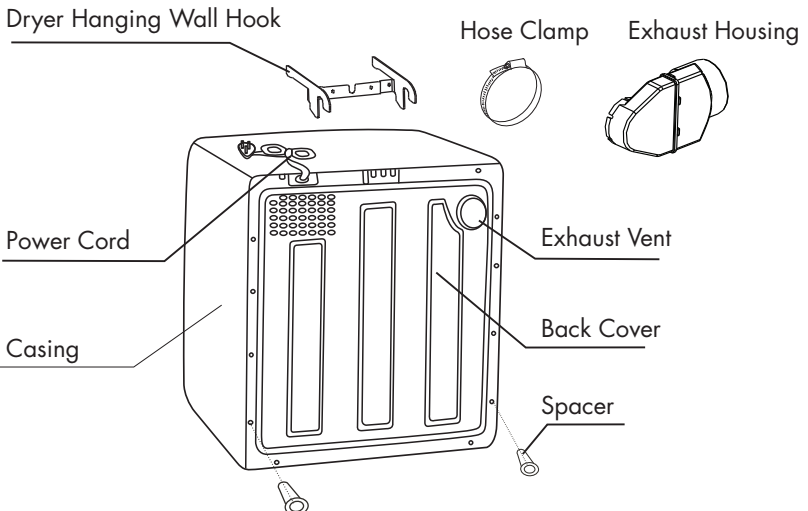
Safety Instructions	1
Product Registration	2
Electrical Requirements	3
Unpacking Your Dryer	4
Parts and Features.....	5
SET UP INSTRUCTIONS	6-8
Location of Your Dryer	6
Assemble Dryer for Installation	7
Venting the Dryer.....	8
INSTALLATION INSTRUCTIONS	9-11
Wall Mounting Instructions.....	10-11
Completing Installation	11
OPERATIONAL INSTRUCTIONS	12-17
Control Panel	12
Quick Start.....	13-14
Timed Dry	15
Drying Tips and Precautions.....	17
Moving and Vacationing and Storage.....	18
Troubleshooting	19
Limited Warranty	20

PARTS AND FEATURES

Front



Back



SET UP INSTRUCTIONS

Tools and Parts Required for Installation:

- Philips Head Screw Driver
- Flat Head Screw Driver
- Electric Drill and 1/8 inch drill bit
- Stud finder (optional)
- (6) Wood screws for mounting plywood
- Plywood board; size 30 (h) by 24(w) inches or wood slats

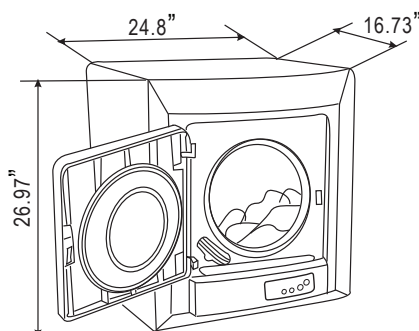
Venting materials:

- 4 inch diameter metal exhaust rigid ducting and fittings or UL flexible metal dryer vent hose, that should not exceed 6 feet.
- 2 additional hose clamps for ducting outside exhaust vent hose
- Metal Elbows or outdoor vents as needed.

Location of Your Dryer

First find a suitable location where you can mount the dryer on the wall and still have access to 120 Volt outlets and exterior venting.

Vent to outside



Nearest 120 Volt AC outlet



Type: Electric dryer

Rating: Please refer to the rating label regarding detailed information

Size: 26.97x24.8x16.73(inch)

Capacity: 2.6 cu.ft.

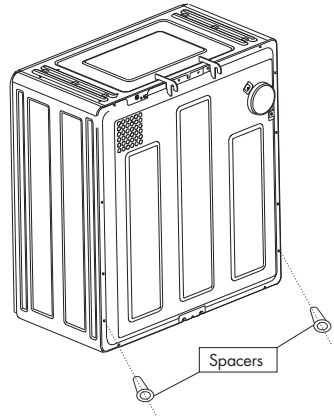
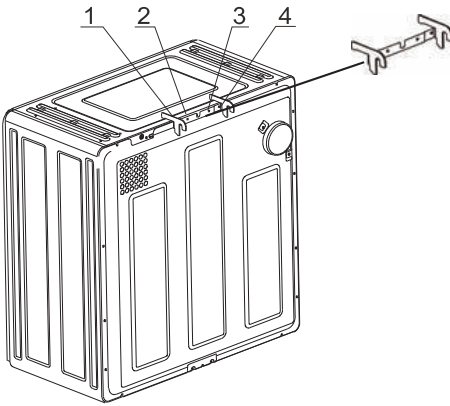
Weight: 52.9lbs(24kg)

- Check dryer size and ensure a good location for the dryer installation on a wall where you can mount the unit using wall studs or beams.
- It is recommended to use a plywood board (30 by 24 inches) to mount the dryer using the walls beams and studs as support, rather than just wood slats.
- Make sure the dryer power cord can reach a 120 Volt outlet.
- Make sure you can connect the exhaust vent to the outside or designated dryer vent (in a laundry room).
- The length of exhaust ducting should not exceed 6 feet.
- Please read the additional ducting information and warnings in this manual.

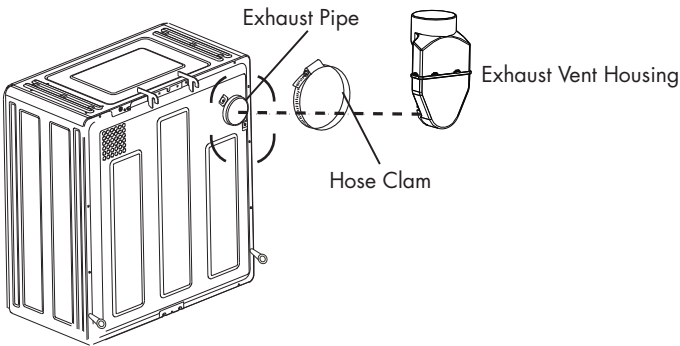
Assemble Dryer for Installation

Screw mounting hook bracket and wall spacer to dryer with screws provided.

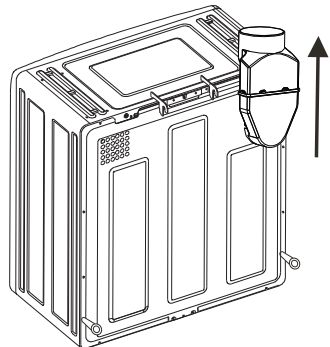
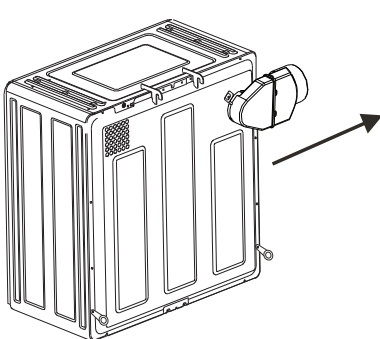
1. Attach Hanging hook bracket using the 4 screws.
2. Attach the 2 wall spacers to the bottom of the dryer, using the 2 screws.



3. Attach Exhaust Housing. Connect vent housing to dryer using hose clamp provided to the exhaust pipe.



4. You have two choices of the exhaust pipe housing direction.

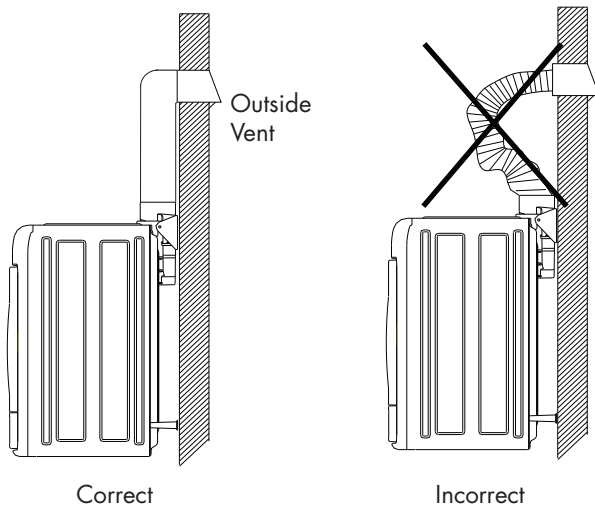


Venting The Dryer

Proper venting of the dryer is very important. Determine the best and safest ducting for the dryer.

▲WARNING!

1. Clothes dryer installation must be performed by qualified installer.
2. Install the clothes dryer according to the manufacturer's instructions and local codes.
3. Do not install a clothes dryer with flexible plastic venting materials. If flexible metal (foil type) duct is installed, it must be of a specific type identified by the flexible duct manufacturer as suitable for use with clothes dryers. Flexible venting materials are known to collapse, be easily crushed, and trap lint. These conditions will obstruct clothes dryer airflow and increase the risk of fire.
4. Clean old ducts before installing this dryer.



Exhaust Requirements and Maintenance.

- Venting must conform to local building codes.
- Do not use thin plastic or foil ducting.
- Use 4 inches (10.2cm) diameter rigid or flexible metal duct (note: venting materials are not supplied with the dryer, and you should obtain the venting materials necessary for proper installation at your local hardware store).
- Position the Dryer such that the exhaust duct run is as short as possible. Make sure there is no more than 6 feet of exhaust ducting.
- Clean old ducts before installing this dryer
- Never bend or collapse ducting flex hose. Use few elbows joints as needed.
- Use duct tape on all duct joints.
- Insulate ductwork that runs through unheated areas in order to reduce condensation and lint build-up on pipe walls.

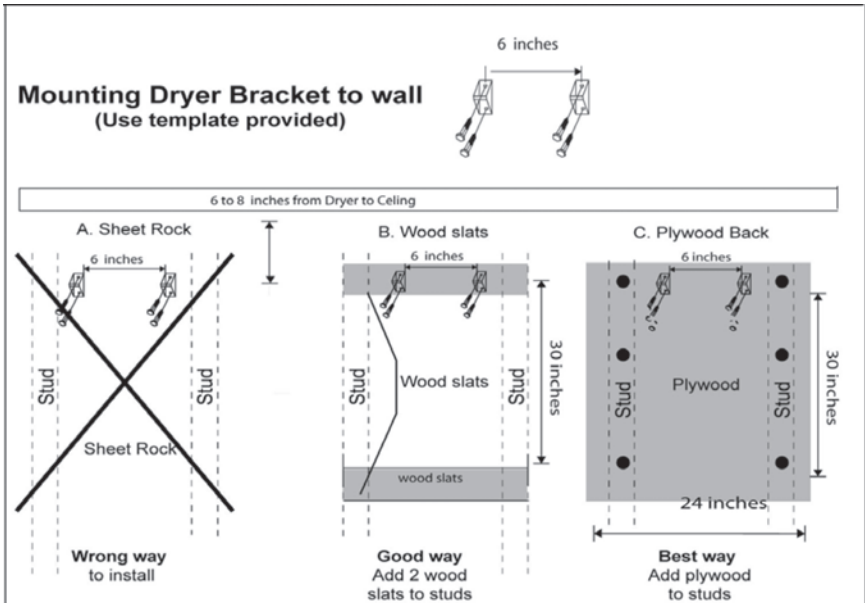
▲WARNING!

To reduce the risk of fire and combustion, the dryer must be vented outdoors. Lint accumulation can cause fires. Check and clean vents and ducting as often as possible. PLEASE BE AWARE THAT FAILURE TO EXHAUST THE DRYER CORRECTLY WILL VOID THE DRYER'S WARRANTY.

INSTALLATION INSTRUCTIONS

Location for installation and options for various walls

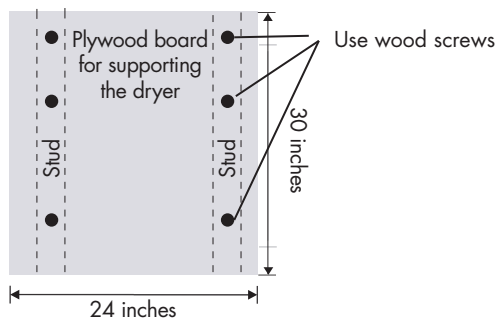
- There are 2 mounting options- either using wood slats or a whole plywood board. The dryer installation to the wall should be able to accommodate the weight of the unit of 52 lbs. plus about 10 lbs. for clothing (or approximately 62 lbs). We suggest you use a plywood board for added support and safety, this is the best way to mount.



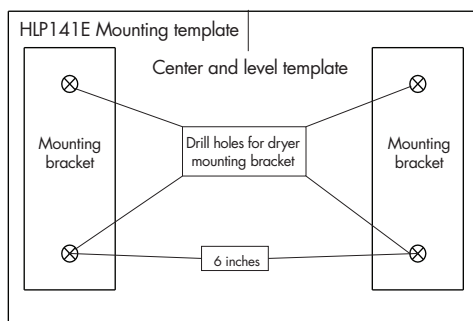
- Determine dryer position on the wall. A minimum of 6" (Inches) is needed between the top of the dryer and the ceiling for installation.
- If mounting the dryer above a washing machine, allow sufficient space to open the top lid of the washer.
- The Best installation is to add a plywood board to the wall studs. As a second option- you can use two (2) slats (2 by 4 ") and attach to studs.

Wall Mounting Instructions

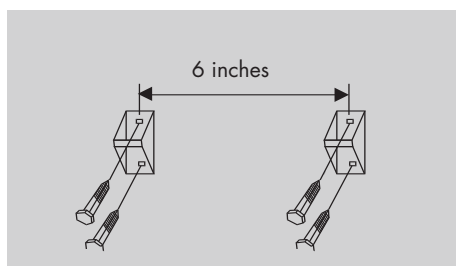
- For the best installation
Locate the wall studs in order to securely mount the unit on the wall. Use 1 plywood board size 30 (h) by 24(w) inches and mount into the wall studs using (6) wood screws (not provided)



- Mark the required dryer bracket position and holes using the template provided.



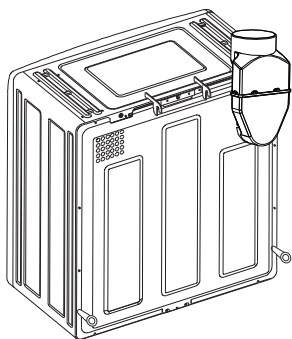
- Using the 4 supplied screws attach the 2 wall hanging mounting brackets onto the plywood. The distance between each bracket should be 6" apart.



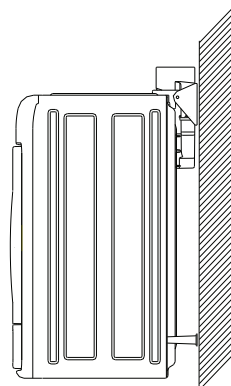
You are now ready to hang the dryer to the wall.

8. Hanging dryer on wall

Lift the dryer (with the help of an assistant) and insert the hanging hook onto the 2 mounting brackets on the wall. The wall spacer will distance the dryer from the bottom.



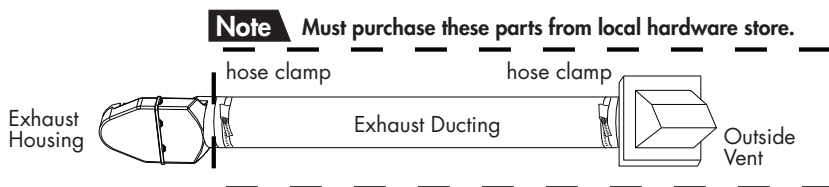
Hang dryer onto mounting brackets on the wall



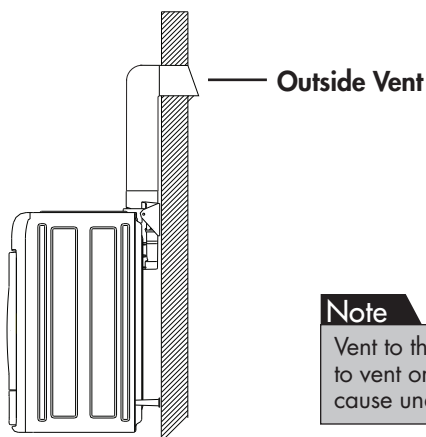
Completing Installation

9. Connect ducting to the dryer

Connect the exhaust ducting (not provided) from the dryer venting housing to external outside dryer vent using a hose clamp (not provided).



10. Completed final installation, on wall with ducting.



Note

Vent to the outside only. Improper taping to vent or unstable installation to vent will cause undesirable drying performance.

OPERATIONAL INSTRUCTIONS

Control Panel Function

LED Indicator lights

- Flashing LED - indicates the program is functioning
- LED)n - indicates function selected or the program, that is going to begin.

Status Indicator Lights

Dry

The dryer is on.

Cooling

The final drying cycle will be completed soon, and the dryer stopped heating and is cooling down.

End Cycle

The cycle is completed; take out laundry.

Clean Filter

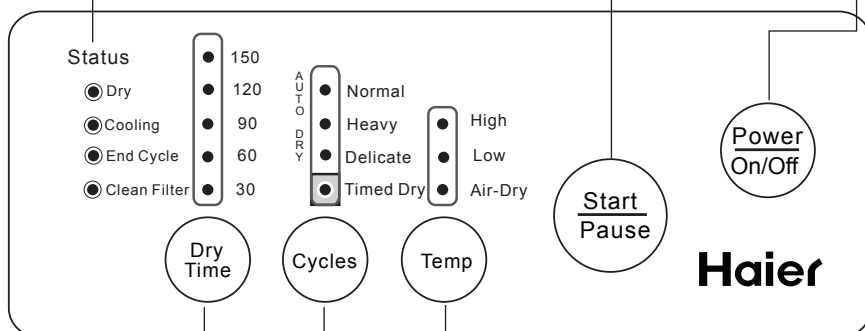
LED reminds you to clean the lint filter each time you finish drying your clothes.

'PowerOn/Off' Button

Press in the 'PowerOn/Off' button to turn on the power of the dryer.

'Start/Pause' Button

With Power 'ON', press the 'Start/Pause' button to start Drying Cycle, pause operation, or resume operation.



'Dry Time' Button

When in Timed Dry- Use the Dry Time button to manually select drying time in a range of 30, 60, 90, 120, or 150 minutes.

Note

If 'Temp' function is set to 'Air-Dry', the 'Dry Time' is pre-set to select only 30 or 60 minutes.

'Cycle' Button

Choose Drying Cycle

Normal	Normal Drying
Heavy	Huge and heavy garments
Delicat	Low level heat drying
Timed Dry	You can manually set the drying time and temperature

'Temp' Button

When in Timed Dry- Use the Temp button to manually select the temperature range to High, Low and Air Dry temperature settings. (Air Dry is without any heat)

Note

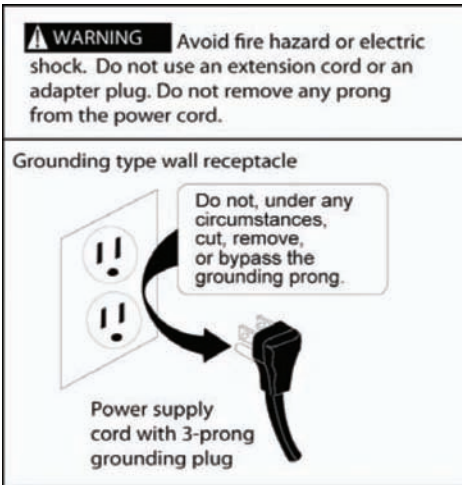
'Normal' and 'Heavy' Cycles are pre-set to the 'High' temperature setting. 'Delicate' is pre-set to 'Low' temperature setting.

Use the Timed Dry Cycle for manual selecting Dry times and Temperatures

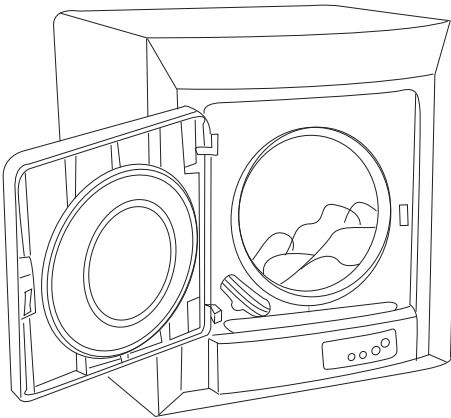
Quick Start

Normal, Heavy and Delicate Cycle Laundry Loads

1. Connect plug to 120 Volt outlet.



2. Load your dryer with clothing;



Note

Do not overload the Dryer

It is suggested that 2/3 the capacity of drum be filled to allow for tumbling and proper drying.

3. Set Cycle and Start

To start drying a laundry load using Auto Dry with presets for Temperature and Time, there are 3 easy steps:

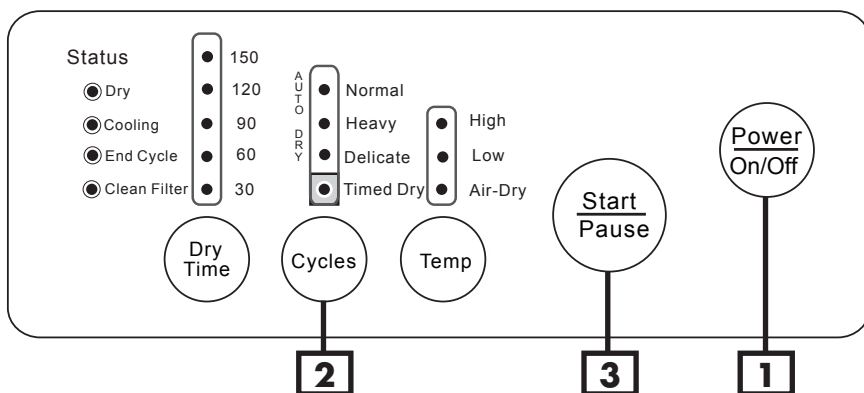
1. Turn 'Power ON'



2. Choose drying Cycle – Normal, Heavy or Delicate

Cycles

3. Press 'Start'



Note

Normal, Heavy and Delicate Cycles are auto-set for Temperature and Time to dry a regular load. Timed Dry Cycle is for manual selecting Dry times and Temperatures. (See next page for instructions)

4. Cooling Status.

When 'Cooling' Status LED is ON, the Cooling down time takes 10 minutes for dryer along with the garments.

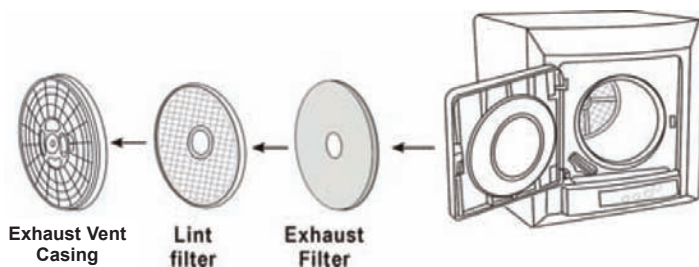
If you want to take out clothes in the middle of drying cycle, please use caution and carefully take out the HOT clothes.

5. End Dry Cycle

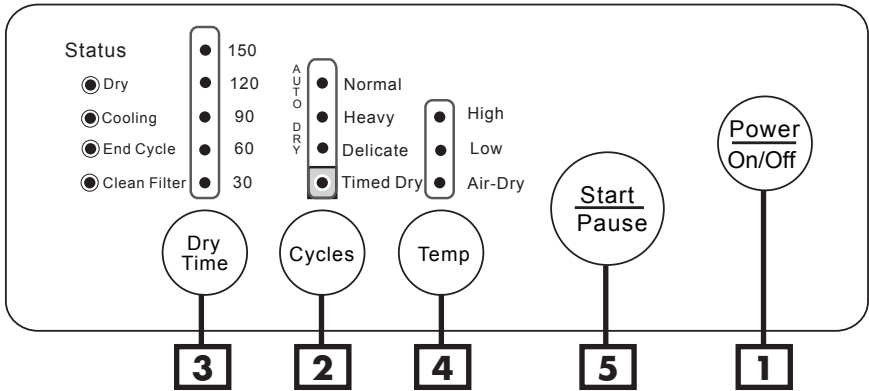
A beeper alarm alerts you when the Drying Cycle ends, then the dryer will power off. **Take out the clothes as soon as possible.**

6. Clean Filter

'Clean Filter' Status LED reminder goes ON. After drying each load of clothing, always clean the lint filters.



Timed Dry Cycle Manual



The Timed Dry Cycle is for manual selecting Dry times and Temperatures.

For Timed Dry operation. 1. Turn 'Power ON'		2. Choose dry Cycle – Set Cycle to 'Timed Dry'.	
3. Press Dry Time button to manually select drying time in a range of 30, 60, 90, 120, or 150 minutes.		4. Press Temp button to manually select the temperature range to High, Low and Air Dry temperature settings.	
5. Press 'Start'			

6. Cooling Status.

When 'Cooling' Status LED is ON, the Cooling down time takes 10 minutes for dryer along with the garments.

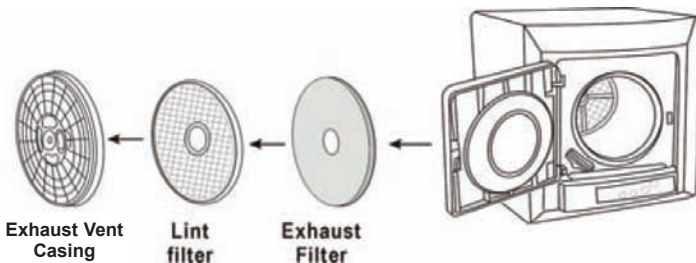
If you want to take out clothes in the middle of drying cycle, please use caution and carefully take out the HOT clothes.

7. End Dry Cycle

A beeper alarm alerts you when the Drying Cycle ends, then the dryer will power off. **Take out the clothes as soon as possible.**

8. Clean Filter

'Clean Filter' Status LED reminder goes ON. After drying each load of clothing, always clean the lint filters.



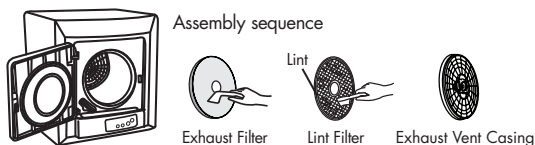
⚠ CAUTION!

- The tumble dryer is intended only for drying textile material washed in water.
- Disconnect this appliance from the power supply before attempting any user maintenance other than cleaning the lint trap.
- Connect to individual AC power outlet .
- Do not allow children to play on or in the dryer.
- Only place damp clothes in your dryer.
- This dryer is not to be used for clothing or fabrics cleaned by chemicals.
- Do not allow lint to collect around the dryer or exhaust vents.

⚠ WARNING: CLEAN THE LINT TRAP REGULARLY

Cleaning the Exhaust Filters

- Clean lint screen after each drying load.
- NEVER use your dryer without the filter.



Refer to User Manual for all instructions

⚠ CAUTION! Risk of Fire

- All clothing dryers produce combustible lint. The dryer must be connected to an external exhaust vent outdoors. Regularly inspect the outdoor exhaust vent opening and remove any of lint around the exhaust opening and the surrounding area.
- To reduce the risk of fire, do not use heat when drying articles containing foam rubber or similarly textured rubber-like materials.

⚠ WARNING!

- Do not install your dryer in a place with heavy moisture, like the bathroom, near water taps and places where it could easily be sprayed.
- Only place damp clothing into your dryer. Sufficiently wring out wet clothes with washer spin cycle to prevent longer drying time.
- Do not place any wet laundry, liquid detergent or bleach on the control panel of your dryer.
- Do not leave washed wet clothes in your dryer for a long time.

⚠ WARNING!

- To reduce the risk of electric shock or fire, do not use an extension cord with this appliance.

DRYING TIPS AND PRECAUTIONS

Delicate clothes especially those with ribbon or lace, should be placed in a nylon mesh bag before drying to prevent tangling.

Clothes with zippers

Zippers, buckles, buttons and fasteners should be closed or clothing should be turn inside out to reduce the impact of noise between metal and the drum.

Solvents

- Do not wash or dry articles that have been cleaned in, washed in, soaked in or spotted with combustible or explosive substances (such as wax, oil, paint, gasoline, degreasers, dry-cleaning solvents, kerosene, etc.). These substances give off vapors that may ignite or explode. Do not add these substances to the wash water. Do not use or place these substances around your washer or dryer during operation.
- Do not place items exposed to cooking oils in your dryer. Items contaminated with cooking oils may contribute to a chemical reaction that could cause a clothes load to catch fire.
- Any article on which you have used a cleaning solvent or that contains flammable materials (such as cleaning cloths, mops, towels used in beauty salons, restaurants or barber shops, etc.) must not be placed in or near the dryer until solvents or flammable materials have been removed. There are many highly flammable items used in homes such as acetone, denatured alcohol, gasoline, kerosene, some household cleaners, some spot removers, turpentine, waxes, wax removers and products containing petroleum distillates.

Elastics

Do not dry articles containing rubber, plastic or similar materials such as padded bras, tennis shoes, rubber galoshes, bath mats, rugs, bibs, baby pants, plastic bags, pillows, etc. that may melt or burn. Some rubber materials, when heated, can under certain circumstances produce fire by spontaneous combustion.

Fabrics

- Make sure to check if there are any special requirements or warning labels on garments before drying. Carefully follow the garment manufacturer's care instructions.
- Avoid clothes being caught by the door which will cause clothes to tangle and damage the door gasket.
- Separate dark and light colored items, like you do for washing.
- Check for stains that may not have been removed in washing.
- Dryer heat may permanently set some stains. Properly dried clothes will need minimum care when removed from dryer.
- For optimum results, use dryer load with cloths of similar fabric, weight and construction.

Always remove the clothing from the dryer as soon as possible.

CARE AND CLEANING GUIDE

Clean buildup such as lint on filters after each use, otherwise it will affect the performance of your dryer.

Cleaning of Lint Trap and Filters

- The lint filter must be always used for drying.
- It must be cleaned each time before or after each use.

1. Remove the Exhaust venting casing containing the filters.
Use four finger grabbing holes in middle of the exhaust vent casing center to pull from the drum. Remove the filters by pulling straight out. The exhaust vent casing contains the 'Lint filter' and 'Exhaust filter', as shown in figure 1.

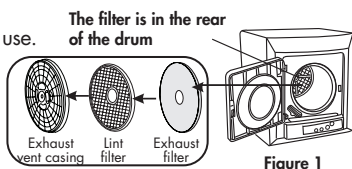


Figure 1

2. Cleaning the filters from lint
Separate 'exhaust vent casing', 'lint filter' and 'exhaust filter' and clean the lint off the filter and exhaust filter with a soft brush or a small vacuum cleaner. (as shown in figure 2) or wash it with water if still dirty. Dry completely before use and do not damage the filters.

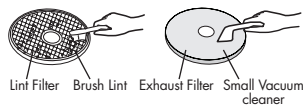


Figure 2

3. Install the filters
After cleaning the filters, assemble filters in the order of 'exhaust vent casing', 'lint filter' and 'exhaust filter' (as shown in figure 3).
4. Align the recesses center of the 'exhaust vent casing' to the center of drum and make sure that it is firmly inserted.

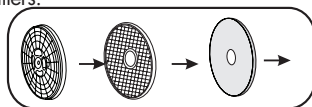
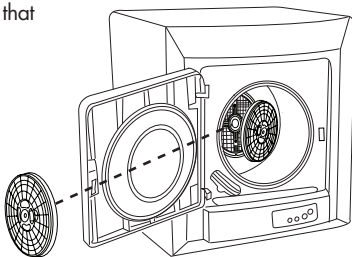


Figure 3

⚠ WARNING!

NEVER USE YOUR DRYER WITHOUT THE LINT FILTERS INSTALLED.

Exhaust vent casing



- Please unplug the power cord when cleaning the Dryer.
- Clean the interior drum or dryer housing with a damp soft cloth.

⚠ WARNING!

- Do not put water directly on dryer.
- Do not use thinner, gasoline or alcohol.
- Do not use any type of spray cleaner to clean the interior.
- Remove everything from drum before drying the next load.
- Clean cabinet with mild soap and water only. Do not use harsh or abrasive cleaners, as this could damage the dryer.



TROUBLESHOOTING

Check your problem by using the chart below (If problems occur, please pull out the plug before examining) and try the solutions for your problem. If the dryer still does not work properly, contact Haier customer service center or the nearest authorized service center.

Symptom	Possible Cause	Possible Remedy
Dryer won't work	<ul style="list-style-type: none"> • No power to machine? • Power plug not in the wall outlet? • Front door not properly shut? 	<ul style="list-style-type: none"> • Plug in Power Cord • Reset circuit breaker or replace fuses • Close the front door Press in the Power/ON/OFF or Start/Pause button
Dryer won't heat	<ul style="list-style-type: none"> • Heating Temperature was not set for Timed Dry? • Is temperature indicator LED indicating "Air Dry"? • Outside venting ducting is blocked? • The exhaust filter is blocked? 	<ul style="list-style-type: none"> • Reset the 'Temp' button till the indicator light indicates 'High' or 'Low', and the LED is on • Change Temp. settings to High or Low: Air Dry works without heat • Make sure outside vent is not blocked • Remove and clean Exhaust filter
Garments won't dry enough	<ul style="list-style-type: none"> • Washer didn't extract enough water? • Overloaded dryer with too many garments? • Clothes not sorted to proper cycle selection? 	<ul style="list-style-type: none"> • Make sure washer spin cycle is operating properly • Reduce the amount of garments loaded in dryer • Select the right drying cycle for normal, heavy or delicate laundry loads.
Drum won't turn (The four indicator lights of Cycle button are on at the same time)	<ul style="list-style-type: none"> • Is the front door closed? 	<ul style="list-style-type: none"> • Close front door and Press the Start/Pause button

WARNING!

Never Overload the dryer.

Never put wet clothing washer spin cycle did not extract.

If troubleshooting is not resolved, unplug unit and call customer service.

LIMITED WARRANTY

If you need service, please first see the 'Troubleshooting' section of the User Manual. After checking 'Troubleshooting', additional help is available by calling Haier America Customer Service Hot Line 24 hours a day, 7 days a week. Please call 1-877-337-3639.

Limited Warranty

What is covered and for how long?

This warranty covers all defects in workmanship or materials for a period of:

- 12 months for labor
- 12 months for parts (Functional Parts Only)

The warranty commences on the date of item purchase. Customer shall provide Haier with proof of the date of purchase and the original receipt along with: brand, model and serial number for verification prior to any warranty service being provided.

In -Home Service is available at the discretion of Haier America.

EXCEPTIONS: Commercial or Rental Use warranty

90 days for labor 90 days for parts
No other warranty applies.

What is covered:

1. The mechanical and electrical parts of the appliance which serve the functional purpose of this appliance are covered for a period of 12 months or as stated above. This includes all parts except finish, trim and glass.
2. The limited warranty does not cover any credit or refund for any loss or injury caused by the product or defects to the product including but not limited to incidental or consequential damages.

What will be done?

1. Any mechanical or electrical part that proves to be defective in normal usage during the specified warranty period will be repaired or replaced at Haier's discretion.

ALL WARRANTY SERVICE MUST BE PROVIDED BY ONLY OUR FACTORY SERVICE CENTERS, OR BY AN AUTHORIZED HAIER CUSTOMER TECHNICIAN.

If it is determined that repair is not appropriate or replacement parts are unavailable for repair, Haier will exchange the product with a refurbished or new

product the same or similar to the original at its discretion.

2. There will be no charge to the purchaser for functional replacement parts and labor on any covered items during the initial 12-month period or as stated above.
3. THIS WARRANTY COVERS APPLIANCES WITHIN THE CONTINENTAL UNITED STATES, PUERTO RICO AND CANADA IT DOES NOT COVER THE FOLLOWING:

Damages from improper installation.
Damages incurred during shipping.
Defects other than manufacturing. Damage from misuse, abuse, accident, alteration, lack of proper care and maintenance or incorrect current or voltage or acts of G-D. Damage from other than household use. Damage from service by other than an authorized dealer or service center.
Decorative trims, glass or replaceable light bulbs. Transportation and shipping costs. Labor (after the initial 12 months). Credit or Refund for products over 30 days past date of purchase This limited warranty doesn't apply to refurbished product or unit purchased as like new or second-hand. THIS LIMITED WARRANTY IS GIVEN IN LIEU OF ALL OTHER WARRANTIES, EXPRESSED OR INCLUDING THE WARRANTIES OF MERCHANTABILITY AND FITNESS FOR A PARTICULAR PURPOSE. The remedy provided in this warranty is exclusive and is granted in lieu of all other remedies. This warranty does not cover incidental or consequential damages, so the above limitations may not apply to you. Some States do not allow limitations on how long an implied warranty lasts, so the above limitations may not apply to you. This warranty gives you specific legal rights, and you may have other rights, which vary from State to State.

Haier America
New York, NY 10018

To have your product serviced, please contact Haier America Customer Service Hot Line 24 hours a day, 7 days a week. In the U.S.A., call 1-877-337-3639.

CONSIGNES DE SÉCURITÉ IMPORTANTES

AVERTISSEMENT - Afin de réduire les risques d'incendie, de choc électrique ou de blessures lorsque vous utilisez votre appareil, suivez des précautions élémentaires, y compris les précautions suivantes :

1. **Lisez toutes les instructions avant d'utiliser l'appareil.**
2. Ne séchez pas d'articles ayant été auparavant nettoyés, lavés ou trempés dans l'essence, des solvants pour nettoyage à sec ou d'autres substances inflammables ou explosives puisqu'ils émettent des vapeurs inflammables ou explosives.
3. Ne laissez pas les enfants jouer sur ou dans l'appareil. Vous devez exercer une étroite surveillance lorsque vous faites fonctionner cet appareil en présence d'enfants.
4. Avant de mettre l'appareil hors d'usage ou de le jeter, retirez la porte du compartiment de séchage.
5. N'entrez pas le bras dans l'appareil quand le tambour est en mouvement.
6. N'installez pas ou n'entreposez pas cet appareil à un endroit où il sera soumis à l'eau ou aux intempéries, ou les deux.
7. Ne modifiez pas les commandes de l'appareil.
8. Ne réparez ou remplacez aucune pièce de l'appareil et n'essayez pas d'effectuer un entretien courant à moins que cela ne soit spécifiquement recommandé dans les directives d'entretien de l'utilisateur ou inscrit dans des consignes de réparation par l'utilisateur que vous comprenez et pour lesquelles vous avez les compétences nécessaires.
9. N'utilisez pas d'assouplisseur de tissus ou de produits pour éliminer l'électricité statique à moins que cela ne soit recommandé par le fabricant de l'assouplisseur ou du produit.
10. N'utilisez pas de la chaleur pour sécher des articles contenant du caoutchouc mousse ou des matériaux similaires à base de caoutchouc.
11. Nettoyez le filtre à charpie avant ou après chaque chargement. **NE FAITES JAMAIS FONCTIONNER UN CLIMATISEUR D'AIR DONT LE FILTRE N'EST PAS INSTALLÉ.**
12. Évitez les accumulations de charpie, de poussière et de saleté autour de la bouche d'évacuation d'air ainsi que dans l'espace environnant.
13. L'intérieur de l'appareil ainsi que la conduite d'évacuation devraient être nettoyés périodiquement, de préférence par un préposé à l'entretien qualifié.
14. Ne mettez pas d'articles ayant été exposés à l'huile de cuisson dans votre sècheuse. Les articles contaminés à l'huile de cuisson peuvent contribuer à une réaction chimique qui pourrait faire s'enflammer une charge.
15. Tout matériel ayant été exposé à quelque liquide ou solide inflammable que ce soit ne devrait pas être placé dans la sècheuse à moins que toute trace de liquide ou de vapeur inflammable ait été éliminée.
16. Cette sècheuse doit être installée correctement, et ce, conformément aux instructions d'installation, avant d'être utilisée.
17. Afin de réduire les risques d'électrocution et d'incendie, assurez-vous de bien avoir mis l'appareil à la terre. En cas de doute quant à la mise à la terre appropriée de la sècheuse, vérifiez auprès d'un électricien ou préposé à l'entretien qualifié. Consultez les instructions de mise à la terre dans la section traitant de l'installation.
18. N'utilisez la sècheuse qu'aux fins prévues : le séchage des vêtements.
19. Débranchez toujours l'alimentation électrique à la sècheuse avant d'effectuer tout entretien. Débranchez le cordon d'alimentation en tirant sur la fiche et non sur le cordon lui-même.
20. Remplacez tout cordon usé et toute fiche desserrée.

CONSERVEZ CES INSTRUCTIONS

USAGE DOMESTIQUE SEULEMENT

DANGER

Risque qu'un enfant soit enrhumé. Avant de jeter votre vieil appareil, enlevez la porte afin qu'un enfant ne puisse pas facilement rester pris à l'intérieur.

AVERTISSEMENT!

Puisque les solvants pour nettoyage à sec, l'essence, les légumes et les huiles à friture sont des matériaux très dangereux, les articles imprégnés ou tâchés avec ces matériaux ne doivent pas être utilisés dans la sècheuse. Les articles peuvent toujours contenir une quantité substantielle de matériel dangereux même après avoir été lavés. Ces articles peuvent s'enflammer lorsqu'ils sont exposés à la chaleur. Puisque les vêtements sont empilés dans la sècheuse, la chaleur ne peut pas s'en échapper. Ainsi, les articles peuvent devenir assez chauds pour s'enflammer. Le lavage dans l'eau chaude avec plus de détergent peut réduire le risque d'incendie mais sans l'éliminer totalement.

Merci d'avoir acheté ce produit Haier. Ce guide facile à utiliser vous aidera à mieux utiliser votre sècheuse.

N'oubliez pas d'inscrire le numéro du modèle et le numéro de série. Ils sont indiqués sur l'étiquette à l'arrière de la sècheuse.

Numéro du modèle

Numéro de série

Date d'achat

Agrafez votre reçu à ce guide. **Vous en aurez besoin pour obtenir du service en vertu de la garantie.**

Veillez vous inscrire en ligne à www.prodregister.com/Haier

EXIGENCES CONCERNANT L'ALIMENTATION ÉLECTRIQUE

Directives de mise à la terre :

Cet appareil doit être mis à la terre. Il est muni d'un cordon à 3 fils avec une fiche de mise à la terre. La fiche doit être branchée dans une prise de courant correctement installée et mise à la terre.

Avertissement - Une mauvaise utilisation du fil de mise à la terre peut entraîner un risque de choc électrique. Au besoin, consultez un électricien qualifié. Ne tentez pas de modifier le dispositif de sécurité de la fiche polarisée. Évitez d'utiliser une rallonge électrique car elle peut surchauffer et entraîner un risque d'incendie. Toutefois, si vous devez utiliser une rallonge électrique :

- A. Utilisez uniquement une rallonge munie de 3 fils avec une fiche de mise à la terre à 3 lames.
- B. La capacité nominale indiquée sur la rallonge doit être égale ou supérieure à la capacité nominale de l'appareil.

⚠ AVERTISSEMENT!

Évitez les risques d'incendie et de choc électrique. N'utilisez pas de rallonge électrique ou un adaptateur. N'enlevez pas de broche de la rallonge.



Nettoyage et entretien :

Pour minimiser les risques de chocs électriques, débranchez l'appareil de la prise d'alimentation ou déconnectez la sècheuse sur le panneau de distribution électrique de la maison en retirant le fusible ou en mettant le disjoncteur à la position OFF avant tout nettoyage ou entretien (sauf lors du retrait et du nettoyage du filtre à charpie).

REMARQUE : Le fait d'appuyer sur le bouton de mise en marche/arrêt à la position d'arrêt ou d'appuyer sur le bouton de démarrage et de pause, N'entraîne PAS la déconnexion de l'alimentation électrique.

DÉBALLAGE DE VOTRE SÈCHEUSE

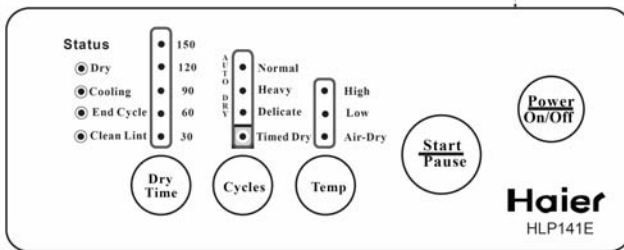
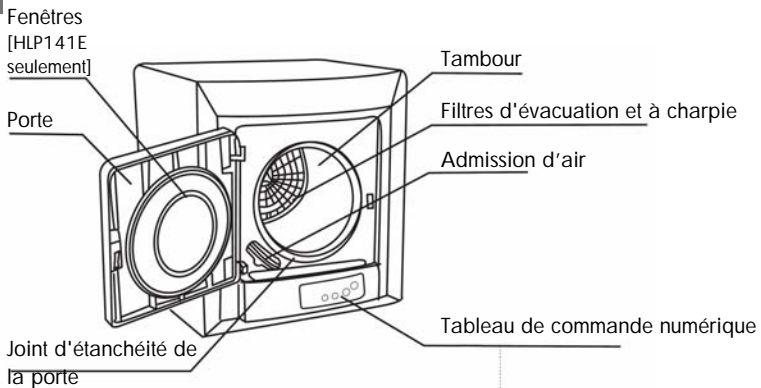
1. Inspectez et retirez tous les matériaux d'emballage. Cela inclut la styromousse ainsi que tous les rubans adhésifs à l'intérieur et à l'extérieur.
2. Inspectez la sècheuse et enlevez tout résidu d'emballage, de ruban adhésif ou de matériel imprimé avant de la mettre en marche.

TABLE DES MATIÈRES

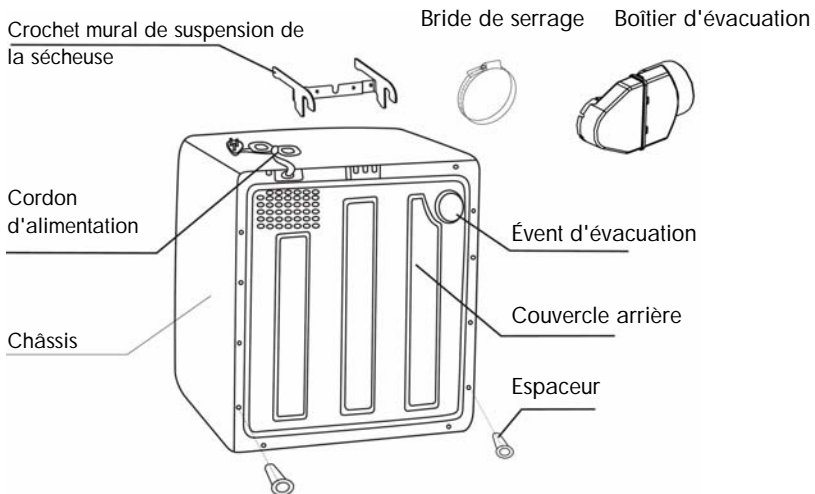
Consignes de sécurité	1
Enregistrement de votre produit	2
Exigences concernant l'alimentation électrique	3
Déballage de votre sècheuse	4
Pièces et caractéristiques	5
DIRECTIVES DE PRÉPARATION.....	6-8
Emplacement de votre sècheuse	6
Montage de la sècheuse pour l'installation	7
Évacuation de la sècheuse.....	8
DIRECTIVES D'INSTALLATION	9-11
Directives de montage mural.....	10-11
Achèvement de l'installation	11
DIRECTIVES D'UTILISATION	12-17
Tableau de commande	12
Démarrage rapide.....	13-14
Séchage minuté	15
Conseil sur le séchage et précautions.....	17
Déménagement, vacances et entreposage	18
Dépannage	19
Garantie limitée	20

DÉBALLAGE DE VOTRE SÈCHEUSE

Avant



Arrière



DIRECTIVES DE PRÉPARATION

Outils et matériaux nécessaires pour l'installation :

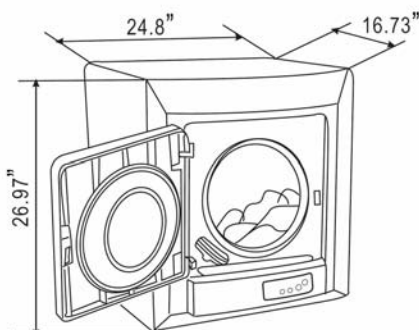
- Tournevis à tête cruciforme
- Tournevis à tête plate
- Perceuse électrique et mèche de 1/8 po
- Localisateur de montants (facultatif)
- (6) vis à bois pour le montage du contreplaqué
- Panneau de contreplaqué; dimension de 76 (L) par 61 cm (l) (30 (L) par 24 po (l)) ou lattes de bois

Matériaux d'évacuation :

- Conduite rigide d'évacuation en métal de 4 po de diamètre et raccords ou boyau d'évacuation de sècheuse en métal flexible UL ne devant pas excéder 180 cm (6 pi).
- 2 brides de serrage additionnelles pour la conduite à l'extérieur du boyau d'évacuation
- Coudes en métal ou évent extérieur selon le besoin.

Emplacement de votre sècheuse

Trouvez d'abord un emplacement convenable où vous pouvez installer la sècheuse sur un mur et avoir accès à des prises de 120 V et une évacuation à l'extérieur.



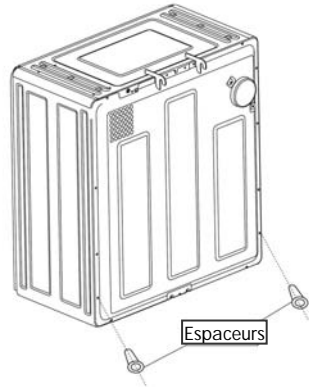
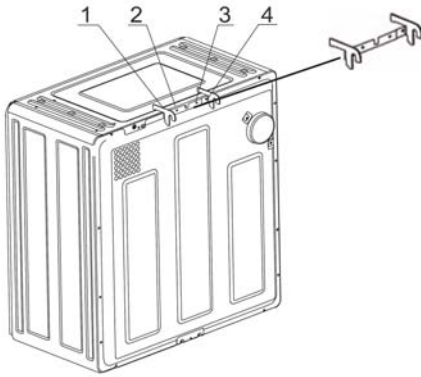
Type : Sècheuse électrique
 Capacité : Veuillez consulter l'étiquette de capacité nominale pour obtenir des renseignements détaillés.
 Dimension : 68,5 x 63 x 17,1 cm (26,97 x 24,8 x 16,73 po)
 Capacité : 2,6 pi³
 Poids : 24 kg (52,9 lb)

- Vérifiez la dimension de la sècheuse et assurez-vous d'avoir un bon emplacement pour l'installation de la sècheuse sur le mur, à un endroit où elle peut être installé en utilisant les montants muraux ou des poutres.
- Il est recommandé d'utiliser un panneau de contreplaqué de 76 (L) par 61 cm (l) (30 (L) par 24 po (l)) pour installer la sècheuse à l'aide des montants muraux ou des poutres en tant que soutien, plutôt que des lattes de bois.
- Assurez-vous que le cordon d'alimentation est assez long pour atteindre la prise de 120 V.
- Assurez-vous que vous pouvez connecter l'évent d'évacuation extérieur ou un évent de sècheuse désigné (salle de lavage).
- La longueur de la conduite d'évacuation ne doit pas excéder 180 cm (6 pi).
- Veuillez lire les renseignements additionnels sur la conduite d'évacuation ainsi que les avertissements dans ce guide.

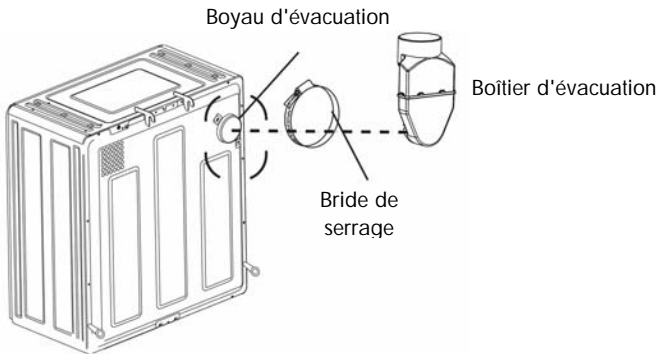
Montage de la sècheuse pour l'installation

Vissez le support à crochet de montage et l'espaceur mural à la sècheuse à l'aide des vis fournies.

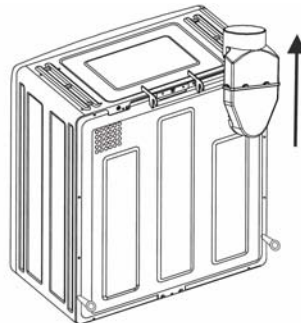
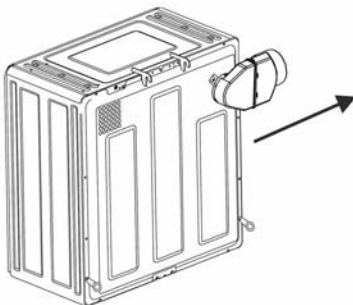
1. Fixez le support à crochet de montage à l'aide des 4 vis.
2. Fixez les 2 espaceurs muraux au bas de la sècheuse en utilisant les 2 vis.



3. Fixez le boîtier d'évacuation. Connectez le boîtier d'évacuation de la sècheuse au boyau l'évacuation à l'aide des brides de serrage fournies.



4. Vous pouvez diriger le boyau d'évacuation vers deux directions.

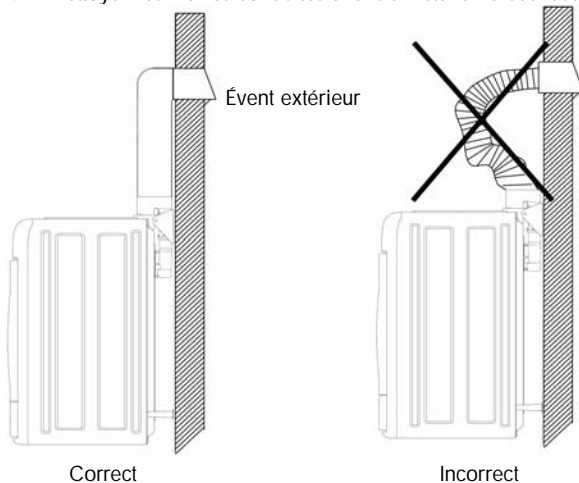


Évacuation de la sècheuse

Il est très important d'avoir une bonne évacuation pour la sècheuse. Déterminez la meilleure conduite d'évacuation et la plus sécuritaire pour la sècheuse.

⚠ AVERTISSEMENT!

1. L'installation de la sècheuse doit être effectuée par un installateur qualifié.
2. Installez la sècheuse conformément aux instructions du fabricant et aux codes locaux.
3. N'utilisez pas de conduites en plastique flexible pour évacuer l'air de la sècheuse. Si une conduite en métal flexible (de type métallisé) est installée, elle doit être du type précis identifié par le fabricant de conduites flexibles comme étant convenable aux sècheuses. Les conduites en plastique flexible sont reconnues pour se fendre, s'écraser facilement et emprisonner la charpie. Ces situations peuvent obstruer la circulation d'air de la sècheuse et accroître les risques d'incendie.
4. Nettoyez les vieilles conduites avant d'installer la sècheuse.



Nettoyage et entretien pour l'évacuation.

- L'évacuation doit être conforme aux codes du bâtiment locaux.
- N'utilisez pas de conduite de plastique ou de métal mince.
- Utilisez des conduites en métal flexible ou rigide d'un diamètre de 10,2 cm (4 po) (remarque : Les matériaux d'évacuation ne sont pas fournis avec la sècheuse. Vous devez donc obtenir les matériaux d'évacuation nécessaires pour les installations appropriées chez votre quincailler local.
- Placez la sècheuse de façon à ce que la conduite soit aussi courte que possible. Assurez-vous qu'il n'y ait pas plus de 180 cm (6 pi) de conduite d'évacuation.
- Nettoyez les vieilles conduites avant d'installer la sècheuse.
- Ne pliez ni ne compressez jamais le boyau flexible de conduite. Utilisez quelques coudes selon le besoin.
- Utilisez un ruban à conduit pour tous les joints.
- Isolez la conduite qui passe par des zones non chauffées afin de réduire la condensation et l'accumulation de charpie sur les murs.

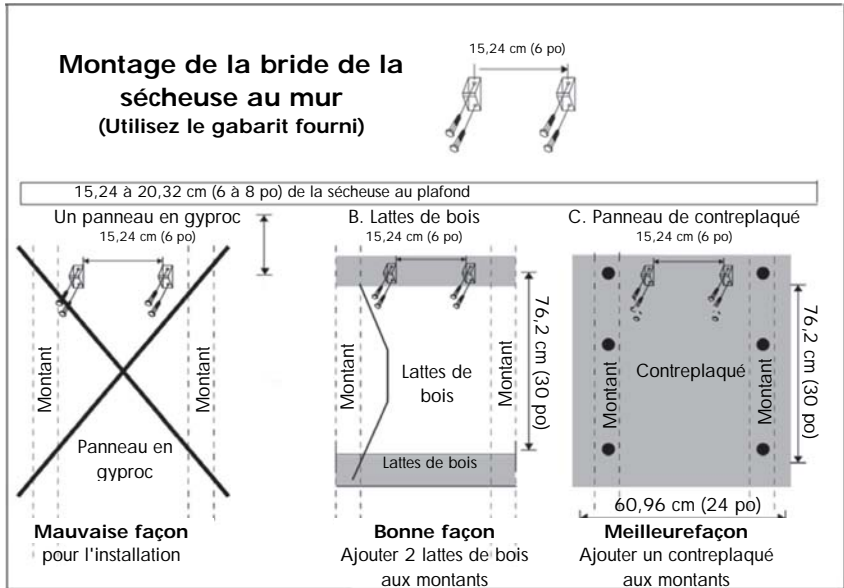
⚠ AVERTISSEMENT!

Pour réduire le risque d'incendie et de combustion, l'air de la sècheuse doit être évacué à l'extérieur. L'accumulation de charpie peut causer des incendies. Vérifiez et nettoyez les événements et les conduites aussi souvent que possible. VEUILLEZ PRENDRE NOTE QUE LA MANQUÉMENT À ÉVACUER L'AIR DE LA SÉCHEUSE À L'EXTÉRIEUR ANNULE LA GARANTIE COUVRANT LA SÉCHEUSE.

INSTRUCTIONS D'INSTALLATION

Emplacement de l'installation et options pour différents murs

- Deux options de montage sont possibles: à l'aide de lattes de bois ou avec un panneau de contreplaqué en entier. L'installation de la sècheuse au mur doit permettre de supporter le poids de l'appareil 23,6 kg (52 lb) plus environ 4,54 kg (10 lb) pour les vêtements (ou environ 28,12 kg/62 lb). Nous vous suggérons d'utiliser un panneau de contreplaqué qui apporte un meilleur soutien et plus de sécurité; ce qui constitue le meilleur montage.

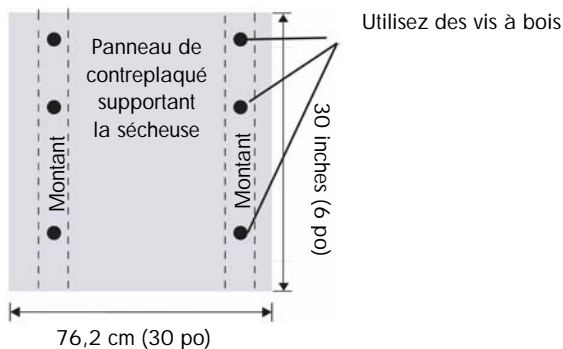


- Déterminez la position de la sècheuse sur le mur. Un espace de 6 po doit être laissé entre la partie supérieure de la sècheuse et le plafond pour l'installation.
- Pour un montage de la sècheuse au-dessus d'une machine à laver, laissez suffisamment d'espace pour ouvrir le couvercle supérieur de la laveuse.
- La pose d'un panneau de contreplaqué sur les montants muraux constitue la meilleure installation. En tant que deuxième option, vous pouvez utiliser deux (2) lattes (2 x 4 po) et les fixer aux montants.

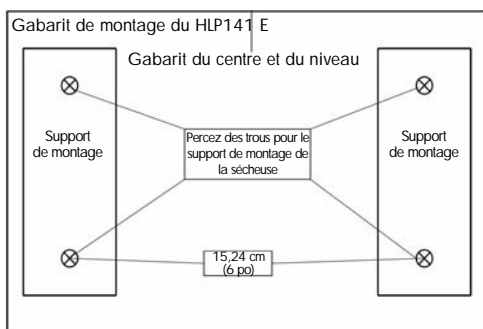
Directives de montage mural

5. Pour la meilleure installation

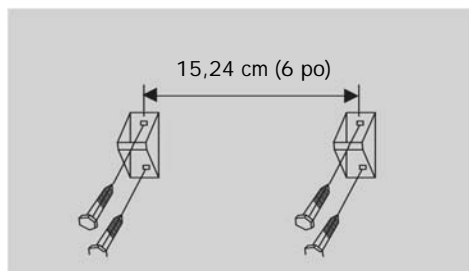
Trouvez les montants muraux de façon à assurer un montage solide de l'appareil sur le mur. Utilisez un panneau de contreplaqué d'une dimension de 76 (L) par 61 cm (l) (30 (L) par 24 po (l)) et fixez-les aux montants muraux à l'aide de 6 vis à bois (non fournies).



6. Marquez la position et les trous requis pour le support à sécheuse à l'aide du gabarit fourni.

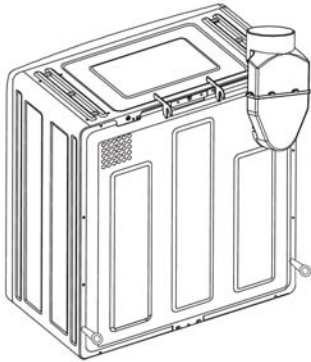


7. A l'aide des 4 vis fournies, fixez les 2 supports de montage de suspension mural sur le contreplaqué. La distance entre chaque support devrait être de 15,24 cm (6 po).

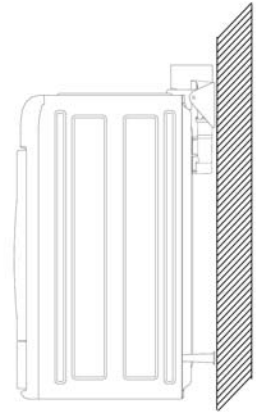


Vous êtes maintenant prêt à suspendre la sécheuse au mur.

8. Suspension de la sècheuse au mur
 Soulevez la sècheuse (avec l'aide d'une personne) et insérez les crochets de suspension sur les deux supports de montage sur le mur. L'espaceur mural donnera la distance requise de la sècheuse à partir du bas.

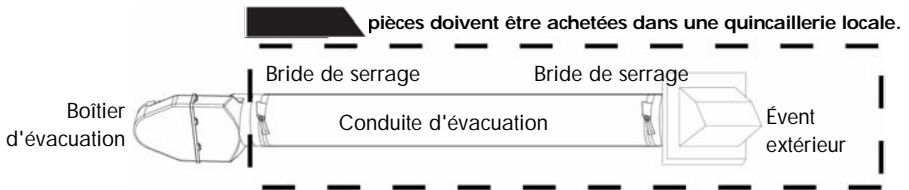


Suspendez la sècheuse sur les supports de montage sur le mur.

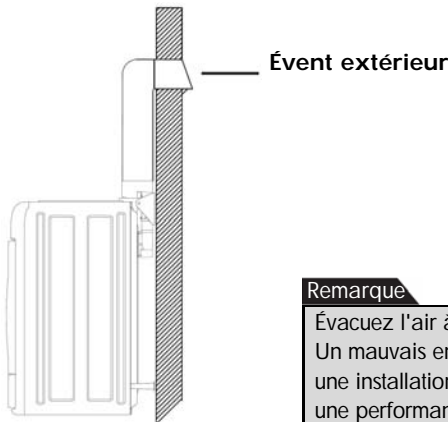


Achèvement de l'installation

9. Connectez la conduite à la sècheuse.
 Connectez la conduite d'évacuation (non fournie) à partir du boîtier d'évacuation de la sècheuse jusqu'à l'évent externe de sècheuse à l'aide d'une bride e serrage (non fournie).



10. Installation finale terminée, sur le mur avec la conduite



Remarque

Évacuez l'air à l'extérieur seulement.
 Un mauvais enrubannage de l'évent ou une installation instable de l'évent entraînera une performance de séchage indésirable.

INSTRUCTIONS D'UTILISATION

Fonctions du tableau de commande

Voyants lumineux à DEL

- DEL clignotante - indique que le programme est en exécution
- DEL allumée - indique la fonction ou le programme sélectionné, qui est sur le point de commencer.

Voyants lumineux d'état

Dry (Séchage)

La sècheuse en marche.

Cooling (Refroidissement)

Le cycle de séchage final sera bientôt terminé et la sècheuse arrêtera le chauffage et se refroidira.

End Cycle (Fin de cycle)

Le cycle est terminé ; vous pouvez retirer les vêtements.

Clean Filter (Nettoyer le filtre)

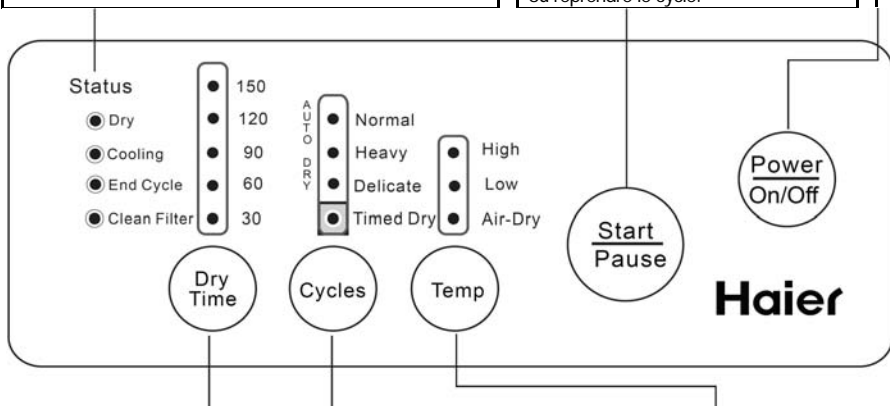
La DEL vous rappelle de nettoyer le filtre à charpie chaque fois que vous venez de faire sécher vos vêtements.

Bouton d'alimentation

Appuyez sur le bouton d'alimentation pour mettre la sècheuse en marche.

Bouton de démarrage et de pause

Lorsque le bouton d'alimentation est à la position ON, appuyez sur le bouton de démarrage et de pause pour commencer le cycle de séchage, interrompre le cycle ou reprendre le cycle.



Bouton Dry time (Durée de séchage)

Au mode de séchage minuté. Utilisez le bouton de durée de séchage pour sélectionner manuellement la durée de séchage dans une gamme de 30, 60, 90, 120 ou 150 minutes.

Remarque

Si la fonction de température (Temp) est réglée à Air-Dry (Séchage à l'air), la durée de séchage ne peut être réglée qu'à 30 ou 60 minutes.

Bouton Cycle

Choix du cycle de séchage	
Normal	Séchage normal
Long	Vêtements grands et lourds
Delicates (Déliçats)	Séchage à un faible niveau de chaleur
Timed Dry (Séchage minuté)	Vous pouvez régler manuellement la durée et la température de séchage.

Bouton Temp

Au mode de séchage minuté. Utilisez le bouton de température (Temp) pour sélectionner manuellement la température de séchage dans une gamme de réglage de température High (Élevée), Low (Bas) et Air-Dry (Séchage à l'air). (La chaleur n'est pas utilisée pour le mode de séchage à l'air).

Remarque

Les cycles Normal et Heavy (Long) sont pré-réglés pour le réglage de température à High (Élevé). Le mode Delicate (Déliçat) est pré-réglé pour le réglage de température à Low (Basse).

Utilisez le cycle de séchage minuté pour sélectionner manuellement la durée et la température de séchage.

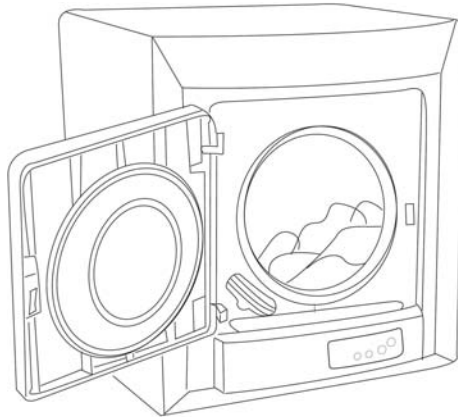
Démarrage rapide

Charge de lavage pour les cycles Normal, Long et Délicat

1. Branchez la fiche dans une prise de 120 V.



2. Placez les vêtements dans la sècheuse.



Remarque

Ne surchargez pas la sècheuse.

Il est recommandé de remplir le tambour aux 2/3 de sa capacité afin de permettre un culbutage et un séchage appropriés.

3. Choix du cycle et démarrage

Pour commencer le séchage d'une charge de lavage en utilisant le séchage automatique avec les préréglages pour la température et la durée, effectuez ces trois étapes simples :

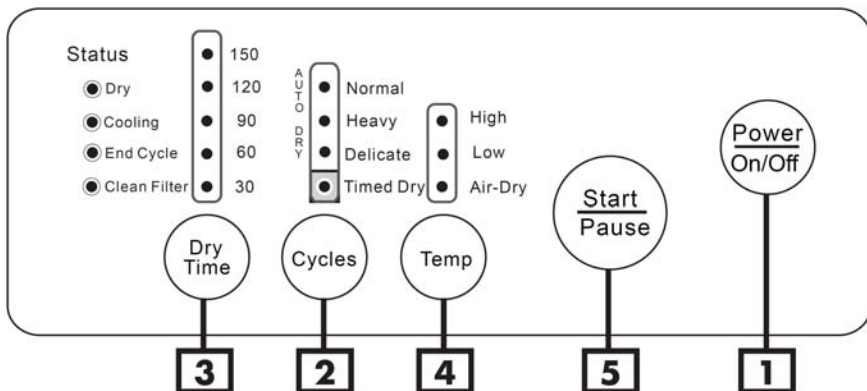
1. Mettez l'appareil en marche.



2. Choisissez le cycle de séchage Normal, Heavy or Delicate (Normal, Long ou Délicat)



3. Appuyez sur le bouton de démarrage



Remarque

Les cycles Normal, Heavy (Long) et Délicate (Délicat) sont préréglés pour le réglage de la température et de la durée pour une charge régulière. Le cycle de séchage minuté sert à sélectionner manuellement la durée et la température de séchage. (Consultez la Page suivante au sujet des directives)

4. État de refroidissement.

Lorsque la DEL d'état Cooling (refroidissement) est allumée, le refroidissement de la sècheuse et des vêtements prend environ 10 minutes.

Si vous désirez sortir les vêtements au milieu du cycle de séchage, veuillez prendre garde et retirer avec soin les vêtements CHAUDS.

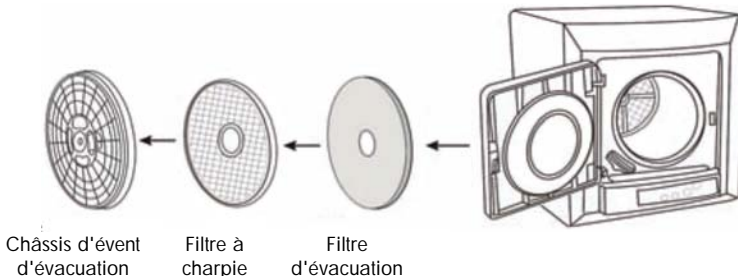
5. End Cycle (Fin de cycle)

Une alarme vous avise que le cycle de séchage est terminé et la sècheuse s'arrête alors. **Retirez les vêtements aussitôt que possible.**

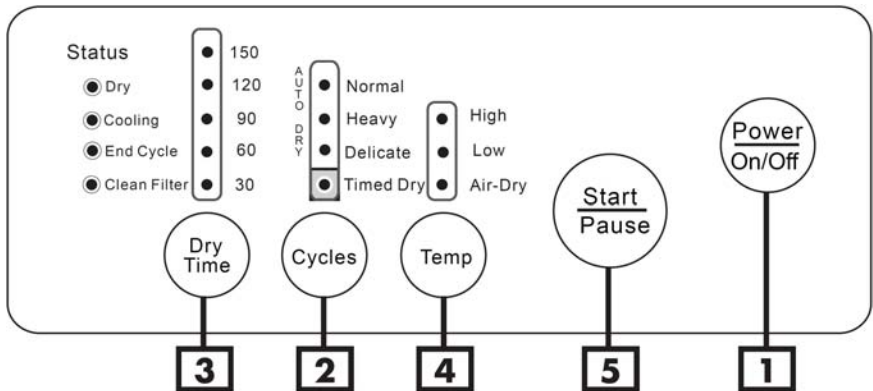
6. Clean Filter (Nettoyer le filtre)

Le rappel par la DEL d'état Clean Filter (Nettoyer le filtre) qui demeure allumée.

Après chaque cycle de séchage de vêtements, nettoyez toujours les filtres à charpie.



Réglage manuel du cycle de séchage minuté



Le cycle de séchage minuté sert à sélectionner manuellement la durée et la température de séchage.

Pour utiliser le séchage minuté. 1. Mettez l'appareil en marche.		2. Choisissez le cycle de séchage- Réglez le cycle à Timed Dry (Séchage minuté)	
3. Appuyez sur le bouton Dry Time (Séchage minuté) pour sélectionner manuellement la durée de séchage dans une gamme de 30, 60,90, 90, 120 ou 150 minutes.		4. Appuyez sur le bouton Temp (Température) pour sélectionner manuellement la température de séchage dans une gamme de réglage de température High (Élevée), Low (Bas) et Air-Dry (Séchage à l'air).	
5. Appuyez sur le bouton de démarrage			

7. État de refroidissement.

Lorsque la DEL d'état Cooling (Refroidissement) est allumée, le refroidissement de la sècheuse et des vêtements prend environ 10 minutes.

Si vous désirez sortir les vêtements au milieu du cycle de séchage, veuillez prendre garde et retirer avec soin les vêtements CHAUDS.

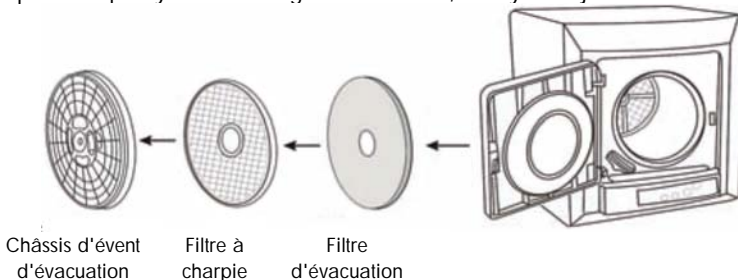
7. Fin de cycle de séchage

Une alarme vous avise que le cycle de séchage est terminé et la sècheuse s'arrête alors. **Retirez les vêtements aussitôt que possible.**

8. Nettoyer le filtre

Le rappel par la DEL d'état Clean Filter (Nettoyer le filtre) qui demeure allumée.

Après chaque cycle de séchage de vêtements, nettoyez toujours les filtres à charpie.



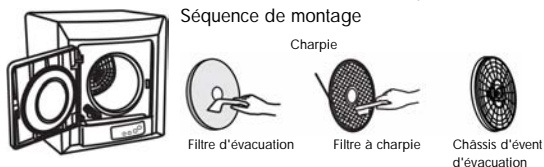
⚠ ATTENTION!

- Cette sècheuse est destinée uniquement à sécher des matériaux textiles lavés dans l'eau.
- Débranchez l'appareil de la source d'alimentation électrique avant d'effectuer tout entretien de l'utilisateur et ou tout nettoyage autre que le nettoyage du filtre à charpie.
- Connectez l'appareil à une prise CA individuelle.
- Ne laissez pas les enfants jouer sur ou dans la sècheuse.
- Ne placez que des vêtements mouillés dans la sècheuse.
- Cette sècheuse n'est pas destinée à être utilisée pour des vêtements ou des tissus nettoyés à l'aide de produits chimiques.
- Ne laissez pas la charpie s'accumuler autour de la sècheuse et des évènements d'évacuation.

⚠ AVERTISSEMENT : NETTOYEZ RÉGULIÈREMENT LE FILTRE À CHARPIE

Nettoyage des filtres d'évacuation

- Nettoyez le filtre à charpie après chaque cycle de séchage.
- N'utilisez JAMAIS la sècheuse sans filtre à charpie.



Consultez le guide d'utilisation pour connaître les directives complètes.

⚠ ATTENTION! Risque d'incendie

- Toutes les sècheuses à vêtements produisent de la charpie combustible. La sècheuse doit être connectée à un évènement d'évacuation externe. Inspectez régulièrement l'ouverture de l'évènement d'évacuation externe et retirez toute charpie se trouvant autour de l'ouverture d'évacuation et de la zone environnante.
- Pour réduire les risques d'incendie, n'utilisez pas de la chaleur pour sécher des articles contenant du caoutchouc mousse ou des matériaux similaires à base de caoutchouc.

⚠ AVERTISSEMENT!

- N'installez pas la sècheuse dans un endroit contenant un niveau élevé d'humidité, tel qu'une salle de bains, près de robinets et d'autres endroits où elle serait susceptible de recevoir de l'eau.
- Ne placez que des vêtements mouillés dans la sècheuse. Tordez suffisamment le linge mouillé au cycle d'essorage afin d'éviter des durées de séchage plus longues.
- Ne placez pas de linge mouillé, de détergent liquide, ou de javellisant sur le tableau de commande.
- Ne laissez pas les vêtements lavés mouillés dans votre sècheuse pour une longue durée.

⚠ AVERTISSEMENT!

- Pour réduire les risques d'incendie ou de choc électrique, n'utilisez pas de rallonge électrique avec l'appareil.

CONSEIL SUR LE SÉCHAGE ET PRÉCAUTIONS

Les **vêtements délicats** particulièrement ceux ayant des rubans ou des lacets, devraient être placés dans un sac de nylon en filet afin d'éviter tout enchevêtrement.

Vêtements sans fermeture à glissière

Les fermetures à glissière, les boucles de ceinture, les boutons et les attaches doivent être fermés ou le linge doit être retourné pour réduire le bruit de l'impact entre le métal et le tambour.

Solvants

- Ne lavez pas ni ne séchez d'articles ayant été nettoyés, lavés, trempés ou tâchés de combustibles ou substances explosives (tels que de la cire, de l'huile, de la peinture, de l'essence, des dégraissants, de solvants pour nettoyage à sec, du kérosène, etc.). Ces substances libèrent des vapeurs qui pourraient s'enflammer ou exploser. N'ajoutez ces substances à l'eau de lavage. N'utilisez pas et ne placez pas ces substances autour de la laveuse ou de la sècheuse pendant leur fonctionnement.
- Ne mettez pas d'articles ayant été exposés à l'huile de cuisson dans votre sècheuse. Les articles contaminés à l'huile de cuisson peuvent contribuer à une réaction chimique qui pourrait faire s'enflammer des vêtements.
- Tout article avec lequel vous avez utilisé des solvants de nettoyage ou qui contiennent des matériaux inflammables (tels que des linges de nettoyage, des vadrouilles et des linges utilisés dans les salons d'esthétique, les restaurants ou les salons de coiffure) ne doivent pas être placés près ni dans la sècheuse avant que les solvants ou que les matériaux inflammables n'aient été retirés. On utilise plusieurs articles hautement inflammables à la maison tels que l'acétone, l'alcool dénaturé, l'essence, le kérosène, certains nettoyants ménagers, certains détachants, la térébenthine, les cires, les décapants pour cire et des produits contenant du distillat de pétrole.

Élastiques

Ne faites pas sécher d'article contenant du caoutchouc, du plastique ou des matériaux similaires tels que des soutiens-gorge préformés, des souliers de sport, des couvre-chaussures en caoutchouc, des tapis de bain, des tapis, des bavettes, des culottes pour bébé, des sacs de plastique, des oreillers, etc. qui pourraient fondre ou brûler. Certains matériaux en caoutchouc, lorsque chauffés, peuvent dans certaines conditions, produire un incendie par une combustion instantanée.

Tissus

- Assurez-vous de vérifier s'il y a des exigences spéciales ou des étiquettes d'avertissement sur les vêtements avant de les faire sécher. Conformez-vous aux instructions d'entretien du fabricant de vêtements.
- Évitez que des vêtements ne soient pris dans la porte; ce qui risque d'entraîner l'enchevêtrement des vêtements et l'endommagement du joint d'étanchéité de la porte.
- Séparez les articles foncés et pâles, comme pour le lavage.
- Vérifiez si des tâches n'ont pas été enlevées lors du lavage.
- Certaines tâches risquent de devenir permanentes en raison de la chaleur de la sècheuse. Des vêtements correctement séchés n'exigent qu'un soin minimum lors du retrait de la sècheuse.
- Pour obtenir des résultats optimaux, utilisez des charges de sècheuse avec des vêtements de tissus, de poids et de fabrication similaires.

Retirez toujours les vêtements de la sècheuse aussitôt que possible.

GUIDE D'ENTRETIEN ET DE NETTOYAGE

Nettoyez les accumulations de matériaux, tel que la charpie sur les filtres après chaque utilisation. Sinon, cela aura un effet sur la performance de la sècheuse.

Nettoyage des filtres à charpie

- Le filtre à charpie doit toujours être utilisé pour le séchage.
 - Il doit être nettoyé avant ou après chaque cycle.
- Retrait du châssis d'évent d'évacuation contenant les filtres. Utilisez les quatre trous de saisie dans le centre du châssis des ventes d'évacuation pour le retirer du tambour. Retirez les filtres en tirant. Le châssis d'évent d'évacuation contient le filtre à charpie et le filtre d'évacuation, tel que montré à la figure 1.
 - Enlèvement de la charpie sur les filtres. Séparez le châssis d'évent d'évacuation, le filtre à charpie et le filtre d'évacuation. Enlevez la charpie du filtre à charpie et du filtre d'évacuation à l'aide d'une brosse douce ou d'un petit aspirateur tel que montré à la figure 2 ou lavez-les avec de l'eau s'ils sont encore sales. Séchez complètement avant l'utilisation et prenez garde d'endommager les filtres.
 - Installation des filtres. Après avoir nettoyé les filtres, assemblez les filtres dans cette séquence : châssis d'évent d'évacuation, filtre à charpie et filtre d'évacuation, tel que montré à la figure 3.
 - Alignez le centre en saillie du châssis d'évent d'évacuation au centre du tambour et assurez-vous qu'il soit solidement inséré.

Le filtre se trouve à l'arrière du tambour

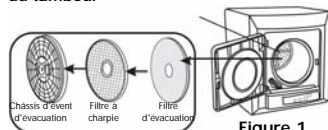


Figure 1

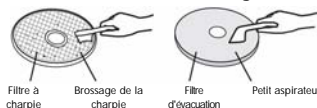


Figure 2

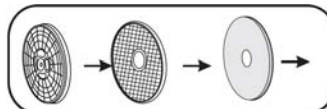
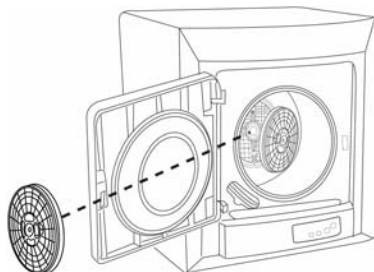


Figure 3

⚠ AVERTISSEMENT!

N'UTILISEZ PAS VOTRE SÈCHEUSE SANS FILTRES À CHARPIE.

Châssis d'évent d'évacuation



- Pour le nettoyage de la sècheuse, veuillez débrancher le cordon d'alimentation.
- Nettoyez le tambour interne ou le boîtier de la sècheuse avec un linge doux et humide.

⚠ AVERTISSEMENT!

- Ne mettez jamais de l'eau directement dans la sècheuse.
- N'utilisez pas de diluant, d'essence ou d'alcool.
- N'utilisez pas de produit de nettoyage en aérosol pour nettoyer l'intérieur de la sècheuse.
- Enlevez tout ce qui se trouve dans le tambour avant le séchage de la prochaine charge.
- Nettoyez le boîtier de la sècheuse uniquement avec de l'eau et un savon doux. N'utilisez pas de nettoyants forts ou abrasifs car ils pourraient endommager la sècheuse.



DÉPANNAGE

Trouvez le problème dans le tableau ci-dessous (si des problèmes se produisent, veuillez débrancher la fiche d'alimentation avant d'examiner la sècheuse) et essayez les solutions proposées pour chaque problème. Si la sècheuse ne fonctionne toujours pas correctement, contactez le centre de service à la clientèle de Haier ou le centre de service autorisé le plus près de chez vous.

Problème	Causes possibles	Solution possible
La sècheuse ne fonctionne pas.	<ul style="list-style-type: none"> • Pas d'alimentation électrique? • La fiche d'alimentation n'est pas branchée dans une prise de courant? • La porte avant n'est pas fermée correctement? 	<ul style="list-style-type: none"> • Branchez le cordon d'alimentation. • Réenclenchez le disjoncteur ou remplacez les fusibles. • Fermez la porte avant et appuyez sur le bouton d'alimentation ou sur le bouton de démarrage et de pause.
La sècheuse ne sèche pas.	<ul style="list-style-type: none"> • La température de chauffage n'a pas été réglée pour un séchage minuté? • Le voyant à DEL indique-t-il Air-Dry (Séchage à l'air)? • La conduite d'évacuation est-elle obstruée? • Le filtre d'évacuation est-il obstrué? 	<ul style="list-style-type: none"> • Réinitialisez le bouton Temp (Température) jusqu'à ce que le voyant indique High (Élevée) ou Low (Basse) et que le voyant demeure allumé. • Changez le réglage de la température à High (Élevée) ou Low (Basse) : La chaleur n'est pas utilisée pour le mode Air-Dry (Séchage à l'air). • Assurez-vous que l'évent externe n'est pas obstrué. • Retirez et remplacez le filtre d'évacuation.
Les vêtements ne sont pas assez secs.	<ul style="list-style-type: none"> • La laveuse n'essore pas suffisamment? • La sècheuse contient trop de vêtements? • Les vêtements ne sont pas triés en fonction de la sélection du cycle choisi? 	<ul style="list-style-type: none"> • Assurez-vous que le cycle d'essorage de la laveuse fonctionne correctement. • Réduisez la quantité de vêtements placés dans la sècheuse. • Sélectionnez le cycle approprié pour les charges de séchage Normal, Heavy ou Delicate (Normal, Long ou Délicat)
Le tambour ne tourne pas (les quatre voyants du bouton Cycle sont allumés en même temps).	<ul style="list-style-type: none"> • La porte avant est-elle fermée? 	<ul style="list-style-type: none"> • Fermez la porte avant et appuyez sur le bouton de démarrage et d'arrêt.

AVERTISSEMENT!

Ne surchargez pas la sècheuse.

Ne mettez jamais dans la sècheuse des vêtements que le cycle d'essorage de la laveuse n'a pas assez essorés.

Si le problème n'est pas résolu, débranchez l'appareil et téléphonez au service à la clientèle.

GARANTIE LIMITÉE

Si la sècheuse a besoin d'être réparée, consultez d'abord la section « Entretien » de ce guide. Après avoir vérifié la section de dépannage, vous pouvez obtenir en tout temps de l'aide additionnelle en téléphonant à la ligne d'assistance du service à la clientèle de Haier America. Veuillez composer le 1-877-337-3639.

Garantie limitée

Couverture et durée de la garantie

Cette garantie couvre tous les vices de fabrication ou de matériaux pour une période de :

12 mois sur la main-d'œuvre

12 mois sur les pièces

(pièces fonctionnelles uniquement)

La garantie débute à la date d'achat de l'appareil. Le client doit fournir à Haier une preuve de la date d'achat et le reçu original ainsi que : la marque, le modèle et le numéro de série à des fins de vérification avant que le service en vertu de la garantie ne soit fourni.

Du service au domicile est disponible, à la discrétion de Haier America.

EXCEPTIONS : Garantie pour usage commercial ou localif

90 jours pour la main-d'œuvre et 90 jours pour les pièces. Aucune autre garantie ne s'applique.

Éléments couverts :

1. Les pièces mécaniques et électriques de l'appareil, qui agissent comme élément fonctionnel de l'appareil, sont garantis pour une durée de douze mois ou tel qu'énoncé ci-dessus. Cela englobe toutes les pièces, à l'exception de la finition extérieure du caisson, de la garniture extérieure et du verre.
2. La garantie limitée ne couvre pas tout crédit ou remboursement relativement à toute perte ou blessure causée par le produit ou des défauts au produit incluant, mais sans s'y limiter, aux dommages consécutifs ou indirects.

Services couverts

1. Nous réparerons ou remplacerons, à la discrétion de Haier, toute pièce mécanique ou électrique qui s'avère défectueuse dans le cadre d'un usage normale durant la période de garantie précisée aux présentes.

TOUTE RÉPARATION EN VERTU DE LA GARANTIE NE SERA EFFECTUÉE QUE PAR NOS CENTRES D'ENTRETIEN À L'USINE OU PAR UN TECHNICIEN POUR LE SERVICE À LA CLIENTÈLE AUTORISÉ DE HAIER.

Si une réparation n'est pas déterminée appropriée ou que les pièces de rechange ne sont pas disponibles pour la réparation, Haier, à sa

discrétion, remplacera le produit par un produit identique ou similaire au produit original.

2. Les pièces de rechange fonctionnelles et la main-d'œuvre pour les éléments couverts par la garantie seront fournis sans frais à l'acheteur au cours de la période initiale de douze mois ou tel qu'énoncé ci-dessus.
3. LA PRÉSENTE GARANTIE COUVRE LES APPAREILS DANS LES LIMITES DES ÉTATS CONTINENTAUX DES ÉTATS-UNIS, DE PORTO RICO ET DU CANADA ET NE COUVRE PAS LES ÉLÉMENTS SUIVANTS:

Les dommages imputables à une installation inadéquate. Le dommage survenant pendant l'expédition. Les défauts autres que de fabrication. Les dommages causés par l'emploi incorrect ou abusif, les accidents, les modifications, l'entretien et le soin inadéquat de l'appareil, un voltage incorrect ou d'une catastrophe naturelle. Les dommages autres que ceux causés par une utilisation domestique normale. Les dommages découlant d'un entretien effectué ailleurs que chez un détaillant ou un dépositaire autorisé. Les bordures décoratives, le verre ou les ampoules remplaçables. Les coûts de transport et d'expédition. La main-d'œuvre (après la période initiale de 12 mois). Un crédit ou un remboursement pour les produits 30 jours au-delà de la date d'achat. La garantie limitée ne s'applique pas aux produits réusinés ou aux appareils achetés comme neufs ou usagés. CETTE GARANTIE LIMITÉE EST DONNÉE EN GUISE ET LIEU DE TOUTE AUTRE GARANTIE, EXPRESSE OU COMPRENANT LES GARANTIES DE VALEUR MARCHANDE ET DE CONVENANCE PRÉCISE. Le recours fourni par cette garantie est exclusif et accordé en remplacement de tout autre recours. La garantie ne couvre pas les dommages accessoires ou indirects. Par conséquent, les limitations précédentes peuvent ne pas s'appliquer à vous. Certains états américains ne permettent aucune limitation sur la durée d'une garantie implicite. Par conséquent, les limitations précédentes peuvent ne pas vous concerner. Cette garantie vous accorde des droits légaux précis, et vous pourriez avoir d'autres droits qui varient d'un État à l'autre.

Haier America

New York, NY 10018

Pour obtenir une réparation du produit, vous pouvez communiquer en tout temps avec la ligne d'assistance du service à la clientèle de Haier America. Aux États-Unis, veuillez composer le 1-877-337-3639.

INSTRUCCIONES IMPORTANTES DE SEGURIDAD

ADVERTENCIA – A fin de disminuir el riesgo de incendio, descarga eléctrica o lesión física al usar el electrodoméstico, siga las precauciones básicas, como las que se mencionan a continuación:

1. **Lea todas las instrucciones antes de usar el aparato.**
2. No introduzca en la secadora artículos que hayan sido limpiados, lavados, sumergidos o rociados con gasolina, solventes de limpieza en seco u otras sustancias explosivas inflamables, ya que emiten vapores que podrían provocar ignición o explotar.
3. No permita que los niños jueguen sobre la secadora o en su interior. Es necesario supervisar a los niños atentamente cuando estén cerca del aparato y este se encuentre funcionando.
4. Antes de desechar o dejar de usar el aparato electrodoméstico, retire la puerta del compartimento de secado.
5. No introduzca objetos en el aparato si el tambor está en movimiento.
6. No instale ni almacene este aparato en lugares donde esté expuesto a la humedad y/o a la intemperie.
7. No manipule los controles.
8. No repare ni cambie ninguna de las partes del aparato ni intente realizar actividades de mantenimiento a menos que las instrucciones de mantenimiento para el usuario o las instrucciones de reparación para el usuario lo recomienden específicamente, y usted las comprenda y pueda seguirlas adecuadamente.
9. No utilice suavizantes de tela ni productos diseñados para eliminar la estática a menos que el fabricante de dichos productos lo recomienden.
10. No seque con calor artículos que contengan hule espuma o materiales de textura similar a este.
11. Limpie el filtro atrapelusa antes o después de cada carga. **NO HAGA FUNCIONAR LA SECADORA SIN EL FILTRO ATRAPELUSA PUESTO.**
12. No permita que se acumule pelusa, polvo o suciedad en la zona que rodea el orificio del escape y las zonas circundantes adyacentes.
13. De preferencia, personal de servicio calificado debe limpiar periódicamente el interior del electrodoméstico y el ducto de escape.
14. No coloque sobre el electrodoméstico objetos que hayan sido expuestos a aceites de cocina, ya que pueden provocar una reacción química que ocasionaría que una carga se incendiara.
15. Si se utiliza algún material que contenga líquidos o sólidos inflamables, no debe colocarse en la secadora sino hasta que se hayan eliminado todos los rastros de dichos líquidos, así como sus vapores.
16. Antes de utilizar la secadora, debe instalarse adecuadamente de conformidad con las instrucciones de instalación.
17. Asegúrese de realizar las conexiones a tierra adecuadas para disminuir el riesgo de descarga eléctrica e incendio. Consulte a un electricista o personal de servicio calificado si no sabe si la secadora está conectada a tierra adecuadamente. Consulte las instrucciones de conexión a tierra en la sección de instalación.
18. Sólo utilice la secadora para lo que fue diseñada, secar ropa.
19. Siempre desconecte la secadora del suministro eléctrico antes de realizar cualquier actividad de mantenimiento. Desconecte el cable de suministro eléctrico sujetándolo por el enchufe, no por el cable.
20. Cambie los cables de suministro eléctrico si están desgastados o si el enchufe está flojo.

GUARDE ESTAS INSTRUCCIONES

SÓLO PARA USO DOMÉSTICO

PELIGRO

Existe el riesgo de que los niños queden atrapados. Antes de desechar su aparato viejo, quítele la puerta para que los niños no puedan quedar atrapados fácilmente adentro.

ADVERTENCIA

Ya que los solventes de limpieza en seco, la gasolina, los aceites vegetales o de cocina son materiales sumamente peligrosos, no se deben introducir en la secadora objetos que hayan sido sumergidos o rociados con dichos materiales, debido a que estos objetos aún pueden contener una cantidad importante del material peligroso después de haber sido lavados. Cuando estos objetos se exponen al calor, podrían provocar ignición. Como la ropa se apila y amontona, el calor de la secadora no puede escapar. Debido a esto, los objetos se calientan tanto que podrían incendiarse. Lavarlos en agua caliente con una cantidad adicional de detergente podría disminuir, pero no eliminar el riesgo de incendio.

Gracias por adquirir nuestro producto Haier. Este manual de fácil uso lo guiará para que aproveche al máximo su lavadora.

Recuerde registrar el modelo y número de serie, que se encuentran en una etiqueta en la parte posterior de la lavadora.

Número de modelo

Número de serie

Fecha de compra

Engrape el recibo al manual. **Lo necesitará para recibir el servicio cubierto por la garantía.**

Regístrese en línea en www.prodregister.com/Haier

REQUISITOS ELÉCTRICOS

Instrucciones de conexión a tierra:

Este electrodoméstico debe conectarse a tierra. Está equipado con un cable de 3 hilos que tiene un enchufe con conexión a tierra. El enchufe se debe conectar en un tomacorriente que esté instalado y conectado a tierra correctamente.

Advertencia – El uso inadecuado del hilo de conexión a tierra puede producir un riesgo de descarga eléctrica. Consulte a un electricista calificado si es necesario. No intente inutilizar esta característica de seguridad modificando el enchufe. Evite usar un cable de extensión ya que se puede sobrecalentar y provocar riesgo de incendio. Sin embargo, si necesita usar un cable de extensión:

- A. Use solamente un cable de extensión de 3 hilos con un enchufe de 3 clavijas con conexión a tierra.
- B. El valor nominal marcado en el cable de extensión debe ser igual o mayor al valor nominal de este aparato.

⚠ ADVERTENCIA

Evite el riesgo de incendio o descarga eléctrica. No use un cable de extensión o un enchufe adaptador. No quite ninguna clavija del cable de suministro eléctrico.



Cómo realizar cualquier actividad de mantenimiento o limpieza:

Para reducir al mínimo la posibilidad de descarga eléctrica, desconecte este aparato del suministro eléctrico o desconecte la secadora del panel de distribución doméstica quitando el fusible o apagando el interruptor de carga antes de realizar cualquier actividad de mantenimiento o limpieza (excepto al retirar y limpiar el filtro atrapapelusa).

NOTA: Oprimir el botón Power ON/OFF para que quede en la posición de apagado u oprimir el botón START/PAUSE, NO desconecta el aparato del suministro eléctrico.

CÓMO DESEMPACAR LA SECADORA

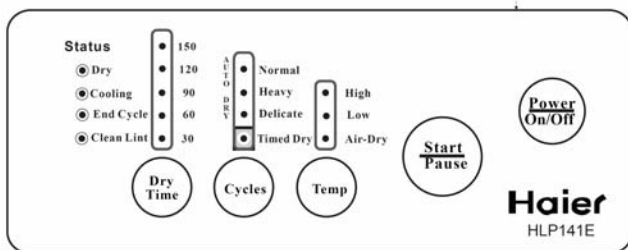
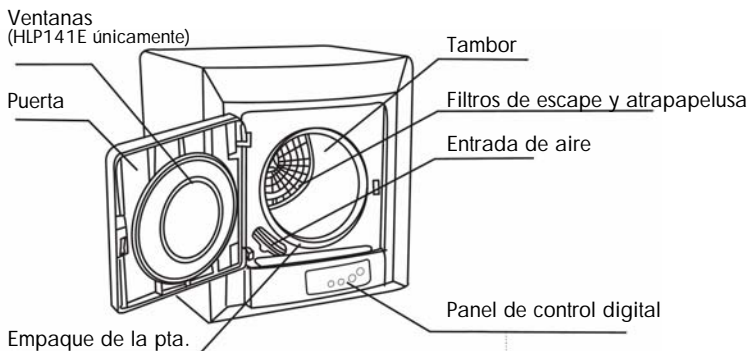
1. Inspeccione y quite todos los materiales de empaque. Esto incluye la espuma y la cinta adhesiva del interior y exterior de la unidad.
2. Inspeccione y quite cualquier resto de empaque, cinta o material impreso antes de poner en funcionamiento la secadora.

ÍNDICE

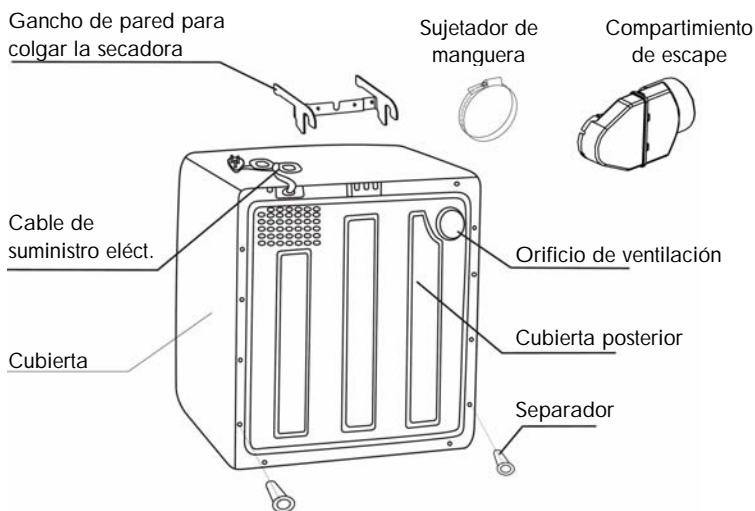
Instrucciones de seguridad	1
Registro del producto	2
Requisitos eléctricos	3
Cómo desempacar la secadora	4
Partes y características	5
INSTRUCCIONES DE COLOCACIÓN	6-8
Ubicación de la secadora	6
Montaje de la secadora para su instalación	7
Ventilación de la secadora	8
INSTRUCCIONES DE INSTALACIÓN	9-11
Instrucciones para el montaje en la pared	10-11
Finalización de la instalación	11
INSTRUCCIONES DE FUNCIONAMIENTO	12-17
Panel de control	12
Inicio rápido	13-14
Timed Dry (Secado programado)	15
Consejos de secado y precauciones	17
Traslado, vacaciones y almacenamiento	18
Solución de problemas	19
Garantía limitada	20

CÓMO DESEMPACAR LA SECADORA

Parte frontal



Parte posterior



INSTRUCCIONES DE COLOCACIÓN

Herramientas y partes necesarias para la instalación:

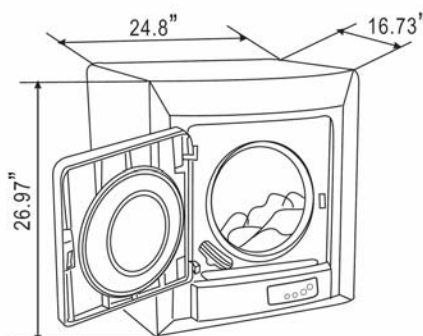
- Destornillador de cruz (Philips).
- Destornillador de cabeza plana.
- Taladro eléctrico y broca de 1/8 de pulgada.
- Detector de clavos (opcional).
- (6) tornillos para madera para montaje en madera contrachapada.
- Tablón de madera contrachapada con un tamaño de 30 pulgadas (76.2 cm) de alto por 24 pulgadas (61 cm) de ancho o tablillas de madera.

Materiales para la ventilación:

- Ducto metálico rígido de escape de 4 pulgadas (10.2 cm) de diámetro y accesorios o manguera de ventilación para secadora metálica flexible UL que no exceda los 6 pies (182.9 cm).
- 2 sujetadores de manguera adicionales para colocar el ducto de la manguera de ventilación de escape en el exterior.
- Codos o ventilaciones exteriores metálicos, según sea necesario.

Ubicación de la secadora

Encuentre primero un lugar adecuado en donde pueda montar la secadora en la pared y además cuente con acceso a tomacorrientes de 120 voltios y tenga ventilación exterior.



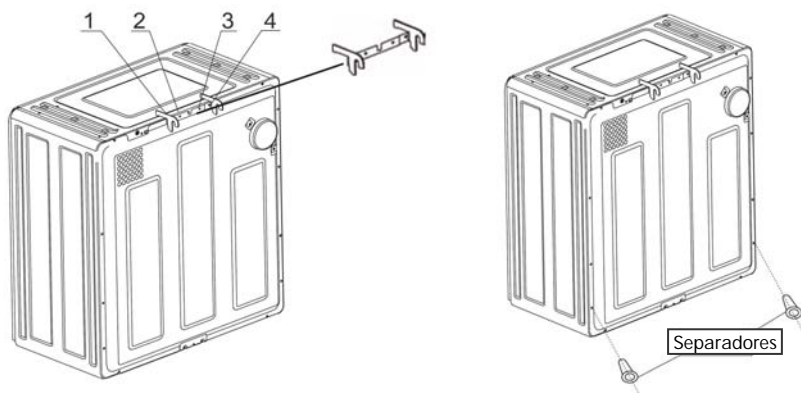
- Tipo: Secadora eléctrica
- Valor nominal: Consulte la etiqueta de valor nominal para obtener información detallada.
- Tamaño: 26.97 x 24.8 x 16.73 (pulgadas) [68.5 x 63 x 42.5 (cm)]
- Capacidad: 2.6 pies³
- Peso: 52.9 libras (24 kg)

- Verifique el tamaño de la secadora y asegúrese de encontrar una ubicación óptima para instalarla en una pared en donde pueda montarla valiéndose de travesaños o vigas en la pared.
- Se recomienda usar un tablón de madera contrachapada (de 30 x 24 pulgadas [76.2 x 61 cm]) para montar la secadora con los travesaños y vigas para pared como soporte, en lugar de usar sólo tablillas de madera.
- Asegúrese de que el cable de suministro eléctrico de la secadora pueda llegar a un tomacorriente de 120 voltios.
- Asegúrese de que pueda conectar la ventilación de escape a la ventilación exterior o designada de la secadora (en un cuarto de lavado).
- La longitud del ducto de escape no debe exceder los 6 pies (182.9 cm).
- Lea la información adicional y advertencias sobre ductos que se incluyen en este manual.

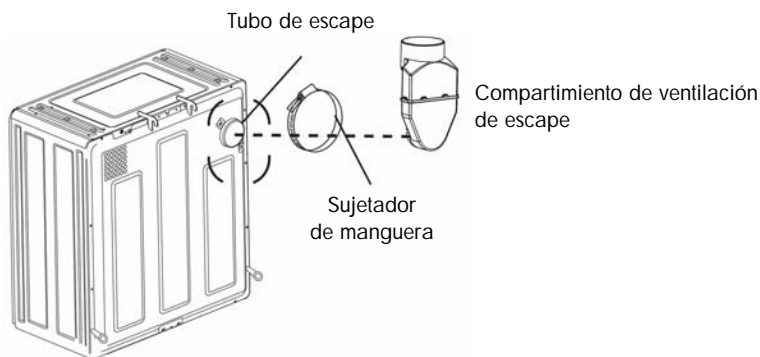
Montaje de la secadora para su instalación

Atornille el soporte de gancho para montaje y el separador de pared a la secadora con los tornillos incluidos.

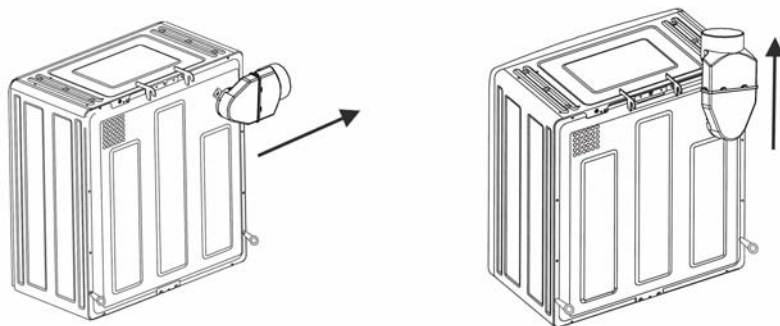
1. Fije el soporte de gancho para colgar con los 4 tornillos.
2. Fije los 2 separadores de pared a la parte inferior de la secadora con los 2 tornillos.



3. Fije el compartimiento de escape. Conecte el compartimiento de ventilación a la tubería de escape de la secadora con ayuda del sujetador de manguera incluido.



4. El compartimiento en la tubería de escape puede colocarse en dos direcciones.

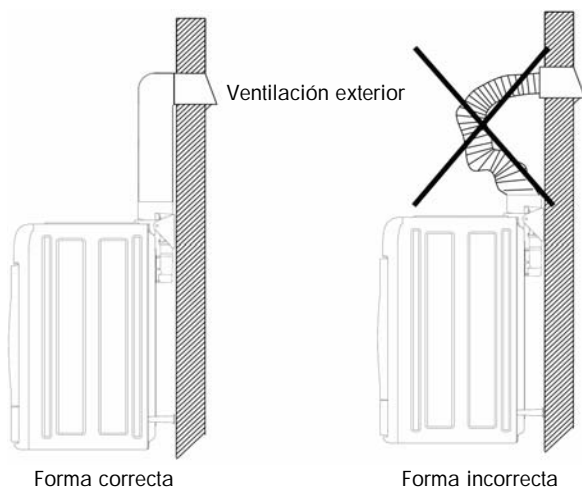


Ventilación de la secadora

Es muy importante que la secadora esté bien ventilada. Determine cuál es el mejor ducto y el más seguro para la secadora.

⚠ ADVERTENCIA

1. Un instalador calificado debe instalar la secadora de ropa.
2. Instale la secadora de ropa según las instrucciones del fabricante y los códigos locales.
3. No instale la secadora de ropa con materiales de ventilación de plástico flexible. Si se instala un ducto metálico flexible (como de aluminio), debe ser del tipo específico que el fabricante del ducto flexible considere adecuado para secadoras de ropa. Se sabe que los materiales de ventilación flexibles se rompen, se aplastan con facilidad y atrapan pelusa. Estas condiciones bloquean el flujo de aire de la secadora de ropa y aumentan el riesgo de incendio.
4. Limpie los ductos viejos antes de instalar esta secadora.



Requisitos y mantenimiento del escape

- La ventilación debe apegarse a los códigos locales de construcción.
- No utilice un ducto de plástico delgado ni de aluminio.
- Elija un ducto metálico rígido o flexible de 4 pulgadas (10.2 cm) (nota: los materiales de ventilación no se incluyen con la secadora, por lo que debe conseguirlos en la ferretería más cercana para instalar la secadora de forma adecuada).
- Coloque la secadora en una posición en la que el tramo del ducto de escape sea lo más corto posible. Asegúrese de que el ducto de escape no exceda los 6 pies (182.9 cm).
- Limpie los ductos viejos antes de instalar esta secadora.
- Nunca doble ni rompa la manguera de ducto flexible. Utilice pocas uniones de codo (únicamente las necesarias).
- Use cinta sellaductos en todas las uniones del ducto.
- Si el ducto pasa por áreas que no reciben calor, aislalo a fin de reducir la condensación y la acumulación de pelusa en las paredes de la tubería.

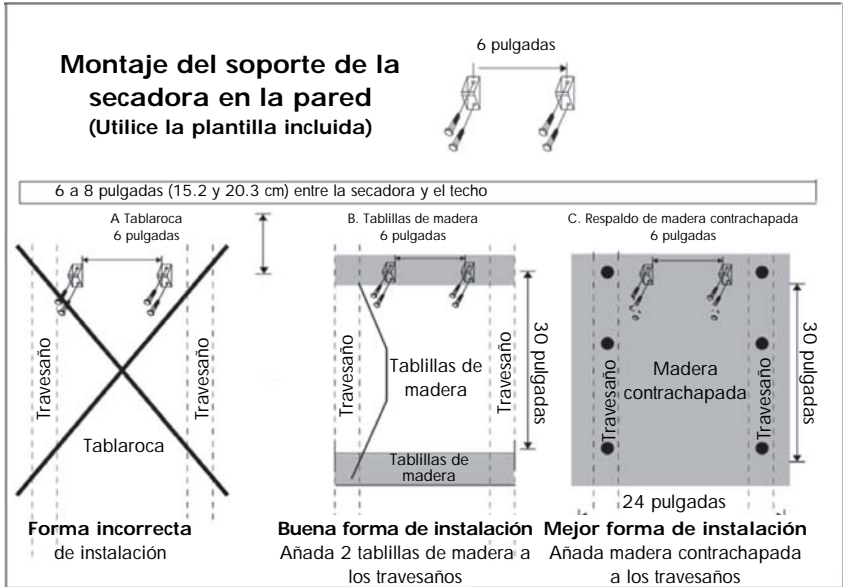
⚠ ADVERTENCIA

Para reducir el riesgo de incendio y combustión, es necesario que las ventilaciones de la secadora den hacia el exterior. La acumulación de pelusa puede provocar incendios. Revise y limpie las ventilaciones y el ducto con la mayor frecuencia posible. **TENGA EN CUENTA QUE DE NO COLOCAR CORRECTAMENTE EL SISTEMA DE ESCAPE EN LA SECADORA, SE ANULARÁ LA GARANTÍA.**

INSTRUCCIONES DE INSTALACIÓN

Lugar de instalación y opciones para distintos tipos de paredes

- Existen 2 opciones de montaje: con tablillas de madera o con un tablón de madera contrachapada completo. La instalación de la secadora en la pared debe aguantar las 52 libras (23.6 kg) de peso de la unidad más unas 10 libras (4.5 kg) de peso de la ropa (o aproximadamente 62 libras [28.1 kg] en total). Le sugerimos usar un tablón de madera contrachapada para ofrecer mayor soporte y seguridad; esta es la mejor manera de montar la secadora.

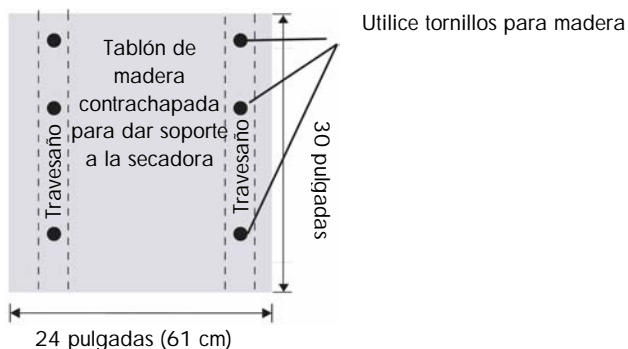


- Determine la posición de la secadora en la pared. Para la instalación, es necesario dejar un espacio de mínimo 6 pulgadas (15.2 cm) entre la parte superior de la secadora y el techo.
- Si monta la secadora arriba de la lavadora, deje suficiente espacio para poder abrir la tapa superior de la lavadora.
- Se puede agregar un tablón de madera contrachapada a los travesaños de la pared para lograr una mejor instalación. Como segunda opción puede usar dos (2) tablillas (de 2 por 4 pulgadas [5.1 por 10.2 cm]) y unir los travesaños.

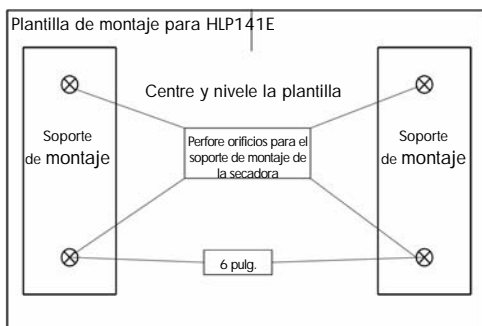
Instrucciones para el montaje en la pared

5. Para que quede instalada de la mejor manera:

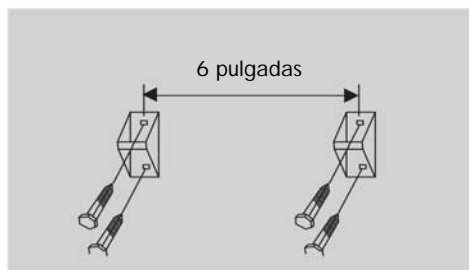
Ubique los travesaños de pared a fin de montar la unidad en la pared de forma segura. Con (6) tornillos para madera (no incluidos), monte 1 tablón de madera contrachapada de 30 pulgadas de alto por 24 pulgadas de ancho (76.2 x 61 cm) en los travesaños de pared.



6. Marque la posición del soporte de la secadora requerido y los orificios con la plantilla incluida.

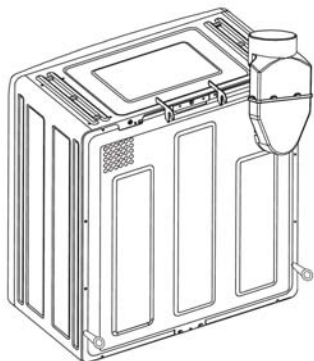


7. Con los 4 tornillos incluidos, fije los 2 soportes de montaje para colgar en pared sobre la madera contrachapada. Cada soporte debe tener una separación de 6 pulgadas (15.2 cm).

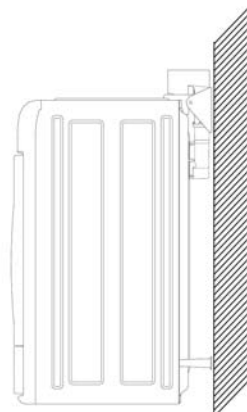


Ya está listo para colgar la secadora en la pared.

8. Cómo colgar la secadora en la pared.
Levante la secadora (con ayuda de alguien) e inserte el gancho para colgar en los 2 soportes de montaje de la pared. El separador de pared distanciará la secadora de la parte inferior.



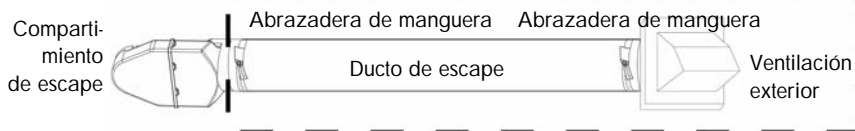
Cuelgue la secadora en los soportes de montaje de la pared



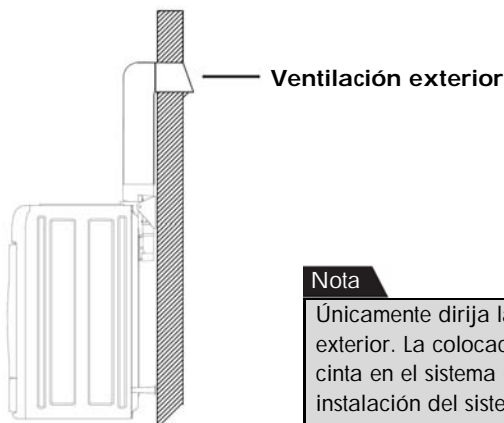
Finalización de la instalación

9. Conecte el ducto a la secadora.
Conecte el ducto de escape (no incluido) del compartimento de ventilación de la secadora a la ventilación exterior de la secadora con un sujetador de manguera (no incluido).

Nota Debe adquirir estas partes de la ferretería más cercana.



10. Instalación en la pared con ducto finalizada.



Nota

Únicamente dirija la ventilación hacia el exterior. La colocación inadecuada de cinta en el sistema de ventilación o una instalación del sistema de ventilación inestable provocarán que el proceso de secado no sea el adecuado.

INSTRUCCIONES DE FUNCIONAMIENTO

Función del panel de control

Luces indicadoras de LED



LED parpadeante: indica que el programa está funcionando.

LED encendido: indica que se seleccionó una función del programa que va a comenzar.

Luces indicadoras de estado

Dry (Secado)

La secadora está encendida.

Cooling (Enfriamiento)

El ciclo de secado final pronto se completará; la secadora ha dejado de calentar y se está enfriando.

End Cycle (Fin del ciclo)

El ciclo se ha completado; saque la ropa seca.

Clean Filter (Limpieza del filtro)

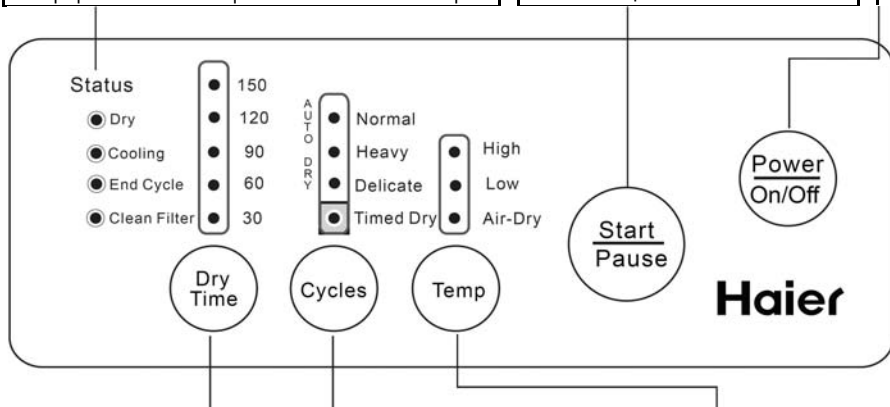
El LED le recuerda que debe limpiar el filtro atrapapelusa cada vez que termine de secar la ropa.

Botón Power On/Off (Encendido/Apagado)

Oprima el botón Power On/Off para encender la secadora.

Botón Start/Pause (Inicio/Pausa)

Cuando la secadora esté encendida, oprima el botón Start/Pause para comenzar el ciclo de secado, detener la operación o reanudarla.



Botón Dry time (Tiempo de secado)

Cuando utilice la opción Timed Dry, use el botón Dry Time para seleccionar manualmente el tiempo de secado, con un rango de 30, 60, 90, 120 ó 150 minutos.

Nota

Si la función Temp está establecida en Air-Dry (Secado con aire), el tiempo de secado está preestablecido únicamente a 30 ó 60 minutos.

Botón Cycle (Ciclo)

Elección del ciclo de secado	
Normal	Secado normal
Heavy	Prendas grandes y pesadas
Delicat	Secado con bajo nivel de calor
Timed Dry	Puede configurar manualmente el tiempo y la temperatura de secado.

Botón Temp (Temperatura)

Cuando utilice la opción Timed Dry, use el botón Temp para seleccionar manualmente el rango de temperatura a los siguientes ajustes de temperatura High (Alto), Low (Bajo) y Air Dry. (Air Dry seca sin calor).

Nota

Los ciclos Normal y Heavy (Artículos pesados) están preestablecidos a la temperatura High. El ciclo Delicate (Artículos delicados) está preestablecido a la temperatura Low.

Utilice el ciclo Timed Dry para seleccionar manualmente tiempos y temperaturas de secado.

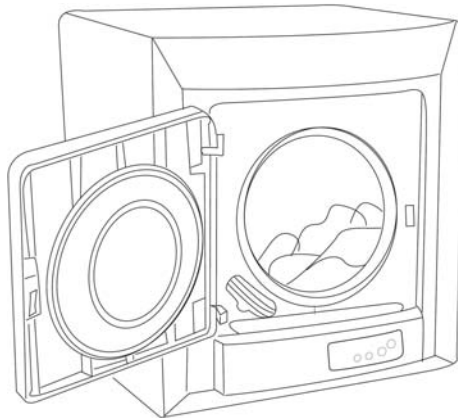
Inicio rápido

Cargas de ropa para los ciclos Normal, Heavy y Delicate

1. Conecte el enchufe a un tomacorriente de 120 voltios.



2. Cargue la ropa en la secadora.



Nota

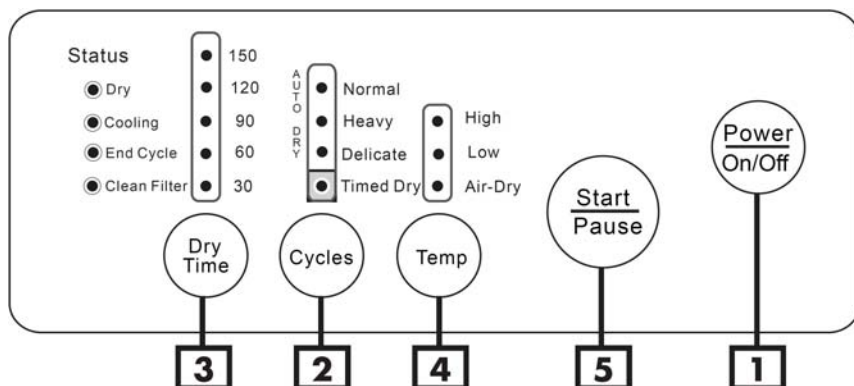
No sobrecargue la secadora.

Se sugiere llenar el tambor a 2/3 de su capacidad para permitir que haya espacio para que gire y la ropa se seque adecuadamente.

3. Establezca las opciones Cycle y Start.

Para comenzar a secar una carga de ropa en Auto Dry con configuraciones preestablecidas de temperatura y tiempo, siga estos 3 sencillos pasos:

1. Encienda la secadora con Power ON. 
2. Elija el ciclo de secado: Normal, Heavy o Delicate. 
3. Oprima Start. 

**Nota**

Los ciclos Normal, Heavy y Delicate tienen una configuración automática de temperatura y tiempo para secar una carga regular. El ciclo Timed Dry es para seleccionar manualmente los tiempos y las temperaturas de secado. (Véase en la siguiente página las instrucciones).

4. Estado de enfriamiento.

Cuando el LED de estado Cooling está encendido, el tiempo que tarda la secadora y las prendas en enfriarse es de 10 minutos.

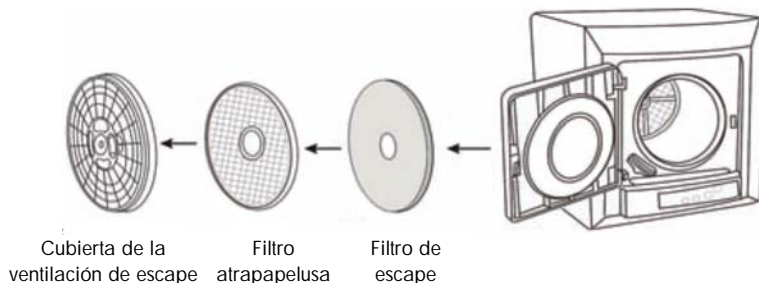
Si quiere sacar la ropa en medio del ciclo de secado, sea precavido y saque la ropa CALIENTE con cuidado.

5. Fin del ciclo de secado.

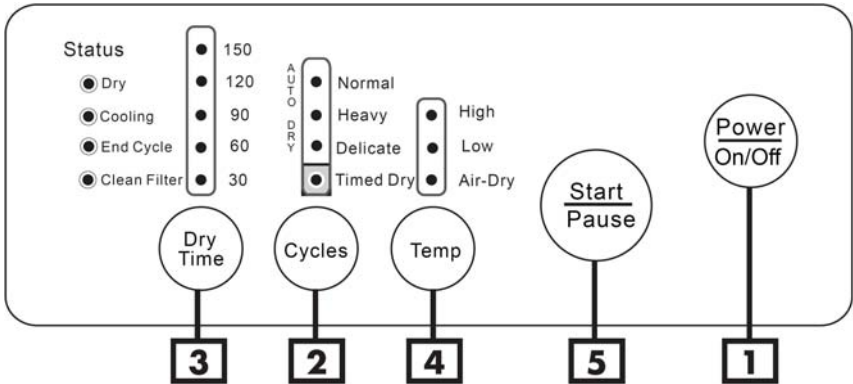
Una alarma emitirá un pitido para advertirle que el ciclo de secado ha finalizado y la secadora se apagará. **Saque la ropa lo antes posible.**

6. Limpieza del filtro.

El recordatorio del LED de estado Clean Filter se enciende. Después de secar cada carga de ropa, siempre limpie los filtros atrapapelusas.



Ciclo manual Timed Dry



El ciclo Timed Dry es para seleccionar manualmente los tiempos y las temperaturas de secado.

Para usar en Timed Dry: 1. Encienda la secadora con Power ON.		2. Elija el ciclo Dry y establezca el ciclo en Timed Dry.	
3. Oprima el botón Dry Time para seleccionar manualmente el tiempo de secado, con un rango de 30, 60, 90, 120 ó 150 minutos.		4. Oprima el botón Temp para seleccionar manualmente el rango de temperatura a los siguientes ajustes de temperatura: High, Low y Air Dry.	
5. Oprima Start.			

7. Estado de enfriamiento.

Cuando el LED de estado Cooling está encendido, el tiempo que tarda la secadora y las prendas en enfriarse es de 10 minutos.

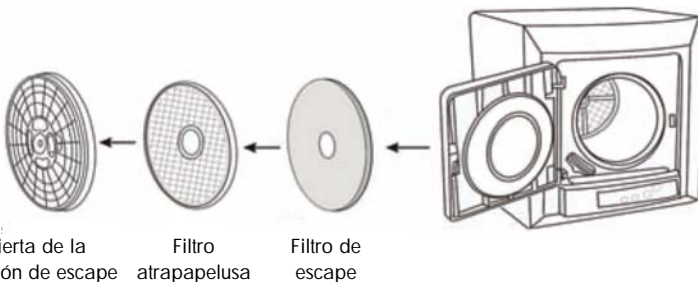
Si quiere sacar la ropa en medio del ciclo de secado, sea precavido y saque la ropa CALIENTE con cuidado.

7. Fin del ciclo de secado.

Una alarma emitirá un pitido para advertirle que el ciclo de secado ha finalizado y la secadora se apagará. **Saque la ropa lo antes posible.**

8. Limpieza del filtro.

El recordatorio del LED de estado Clean Filter se enciende. Después de secar cada carga de ropa, siempre limpie los filtros atrapapelusas.



⚠ ¡PRECAUCIÓN!

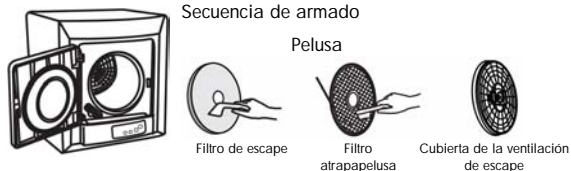
- La secadora está diseñada sólo para secar materiales textiles lavados en agua.
- Desconecte el aparato del suministro eléctrico antes de intentar darle otro tipo de mantenimiento que no sea limpiar el filtro atrapelusa.
- Conéctela únicamente a un tomacorriente de CA de una sola toma.
- No permita que los niños jueguen sobre la secadora o en su interior.
- Únicamente meta ropa húmeda a la secadora.
- La secadora no debe usarse para ropa o telas que se limpien con sustancias químicas.
- No permita que se acumule pelusa alrededor de la secadora o ventilaciones de escape.

⚠ ADVERTENCIA: LIMPIE EL FILTRO ATRAPAPELUSA CON REGULARIDAD.

Limpieza de los filtros del escape

- Limpie el filtro atrapelusa después de secar una carga.
- NUNCA use la secadora sin el filtro.

Secuencia de armado



Consulte todas las instrucciones en el manual del usuario.

⚠ ¡PRECAUCIÓN! Riesgo de incendio

- Todas las secadoras de ropa producen pelusa combustible. La secadora debe estar conectada a un sistema de ventilación de escape externo que dé hacia el exterior. Inspeccione con regularidad la abertura de ventilación de escape hacia el exterior y quite cualquier pelusa que se encuentre alrededor de la abertura de escape o del área circundante.
- A fin de disminuir el riesgo de incendio, no seque con calor artículos que contengan hule espuma o materiales de textura similar a este.

⚠ ADVERTENCIA

- No instale la secadora en un lugar con alto grado de humedad, como el baño, cerca de las llaves de agua y lugares donde fácilmente podría salpicarse.
- Únicamente meta ropa húmeda a la secadora. Exprima la ropa húmeda lo suficiente con el ciclo de centrifugado de la lavadora para evitar que se prolongue el tiempo de secado.
- No coloque ropa mojada, detergente líquido o blanqueador en el panel de control de la secadora.
- No deje la ropa lavada húmeda en la secadora demasiado tiempo.

⚠ ADVERTENCIA

- A fin de disminuir el riesgo de descarga eléctrica o incendio, no utilice un cable de extensión con este aparato.

CONSEJOS DE SECADO Y PRECAUCIONES

La **ropa delicada**, especialmente la que tenga listones o encaje, debe colocarse en una red de nylon antes de secarla, a fin de evitar que se enrede.

Ropa con cierres

Cierre las hebillas, cierres, botones y broches o voltee la ropa para reducir el ruido por el golpeteo del metal en el tambor.

Solventes

- No lave ni seque artículos que se hayan limpiado, lavado, sumergido o rociado con combustible o sustancias explosivas (como cera, aceite, pintura, gasolina, desengrasantes, solventes para limpieza en seco, kerosén, etc.). Estas sustancias emiten vapores que podrían provocar ignición o explotar. No añada estas sustancias al agua de lavado. No utilice ni coloque estas sustancias alrededor de la lavadora o secadora durante su funcionamiento.
- No coloque sobre el electrodoméstico objetos que hayan sido expuestos a aceites de cocina, ya que pueden provocar una reacción química que ocasionaría que una carga de ropa se incendiara.
- No coloque ningún artículo en el que haya usado un solvente limpiador o que contenga materiales inflamables (como paños de limpieza, trapeadores, toallas que se hayan usado en salones de belleza, restaurantes o peluquerías, etc.) en la secadora o cerca de esta hasta que los solventes o materiales inflamables se hayan eliminado. Existen muchos productos de uso doméstico que son altamente inflamables como acetona, alcohol desnaturalizado, gasolina, kerosén, algunos limpiadores domésticos, algunos productos para eliminar manchas, aguarrás, cera, productos para quitar la cera y productos que contienen destilados de petróleo.

Elásticos

No seque artículos que contengan hule, plástico o materiales similares como sostenes acojinados, zapatos tenis, cubrezapatos para lluvia de hule, tapetes de baño, alfombras, baberos, pantalones de bebé, bolsas de plástico, almohadas, etc., que se puedan derretir o quemar. Algunos materiales de hule, cuando se calientan, en ciertas condiciones pueden producir fuego por combustión espontánea.

Telas

- Asegúrese de revisar si la prenda tiene requisitos especiales o etiquetas de advertencia antes de secarla. Siga atentamente las instrucciones de cuidado del fabricante de la prenda.
- Evite que la ropa quede atrapada entre la puerta, ya que esto provocará que la ropa se enrede y dañará el empaque de la puerta.
- Separe los artículos de colores oscuros y claros, como cuando lava.
- Revise si quedaron manchas que no se hayan eliminado con el lavado.
- El calor de la secadora puede fijar algunas manchas de forma permanente. La ropa secada adecuadamente requerirá un cuidado mínimo cuando se saque de la secadora.
- Para lograr resultados óptimos, permita que las cargas estén compuestas por ropa de telas, pesos y estructura similares.

Siempre saque la ropa de la secadora lo antes posible.

GUÍA DE CUIDADO Y LIMPIEZA

Limpie la acumulación de pelusa de los filtros después de cada uso, de lo contrario el funcionamiento de la secadora se verá afectado.

Limpieza del filtro atrapapelusa y de los filtros

- Siempre utilice el filtro atrapapelusa cuando utilice la secadora.
- Se debe limpiar siempre antes o después de cada uso.

1. Quite la cubierta de la ventilación de escape que contiene los filtros.

Introduzca cuatro dedos en los orificios de sujeción que se encuentran en el centro de la cubierta de ventilación de escape para jalarla y sacarla del tambor. La cubierta de la ventilación de escape contiene el filtro atrapapelusa y el filtro de escape, como se muestra en la figura 1.

2. Limpie la pelusa de los filtros.

Separe la cubierta de ventilación de escape, el filtro atrapapelusa y el filtro de escape y limpie la pelusa del filtro y filtro de escape con un cepillo suave o una aspiradora pequeña (como se ve en la figura 2), o lávelos con agua si siguen sucios.

Séquelos por completo antes de usarlos y no dañe los filtros.

3. Instalación de los filtros.

Después de limpiar los filtros, ármelos en el siguiente orden: cubierta de la ventilación de escape, filtro atrapapelusa y filtro de escape (como se muestra en la figura 3).

4. Alinee los centros de la cubierta de ventilación de escape y tambor y asegúrese de que esté insertado con firmeza.

El filtro se encuentra en la parte trasera del tambor.

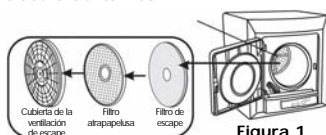


Figura 1

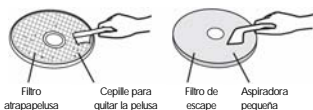


Figura 2

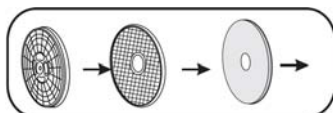
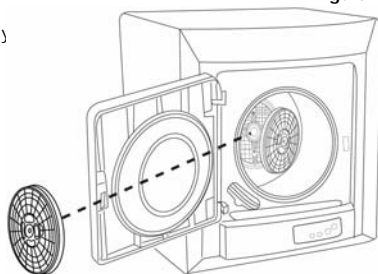


Figura 3

⚠ ADVERTENCIA

NUNCA USE LA SECADORA SIN HABER INSTALADO EL FILTRO ATRAPAPELUSA.

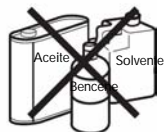
Cubierta de la ventilación de escape



- Desconecte el cable de suministro eléctrico cuando limpie la secadora.
- Limpie el tambor interior o el exterior de la secadora con un paño suave húmedo.

⚠ ADVERTENCIA

- **No vacíe agua directamente en la secadora.**
- **No utilice solventes, gasolina ni alcohol.**
- **No use ningún tipo de limpiador en aerosol para limpiar el interior.**
- **Deje el tambor vacío antes de secar la siguiente carga.**
- **Limpie el gabinete con agua y jabón suave únicamente. No utilice limpiadores fuertes o abrasivos, ya que podría dañar la secadora.**



SOLUCIÓN DE PROBLEMAS

Consulte el problema que tiene en la siguiente tabla (si surgen problemas, desenchufe la secadora antes de examinarla) e intente realizar las soluciones para su problema. Si la secadora sigue sin funcionar correctamente, comuníquese al centro de servicio al cliente de Haier o al centro de servicio autorizado más cercano.

Síntoma	Posible causa	Posible solución
La secadora no funciona.	<ul style="list-style-type: none"> La máquina no está recibiendo suministro eléctrico. El enchufe de suministro eléctrico no está conectado al tomacorriente de pared. La puerta delantera no está cerrada correctamente. 	<ul style="list-style-type: none"> Enchufe el cable de suministro eléctrico. Apague y vuelva a encender el interruptor de carga o cambie los fusibles. Cierre la puerta delantera. Oprima el botón Power ON/OFF, Start o Pause.
La secadora no emite calor.	<ul style="list-style-type: none"> No se configuró la temperatura de calentado para el secado programado. El LED indicador de temperatura marca Air Dry. El ducto de ventilación hacia el exterior está obstruido. El filtro de escape está obstruido. 	<ul style="list-style-type: none"> Restablezca el botón Temp hasta que la luz indicadora marque High o Low y el LED esté encendido. Cambie los ajustes de Temperatura a High o Low; Air Dry funciona sin calor. Asegúrese de que la ventilación externa no esté obstruida. Quite y limpie el filtro de escape.
Las prendas no quedan suficientemente secas.	<ul style="list-style-type: none"> La lavadora no extrajo suficiente agua durante el centrifugado. La secadora está sobrecargada con demasiadas prendas. No se seleccionó el ciclo adecuado de ropa. 	<ul style="list-style-type: none"> Asegúrese de que el ciclo de centrifugado de la lavadora funcione adecuadamente. Disminuya la cantidad de prendas cargadas en la secadora. Seleccione el ciclo de secado adecuado para las cargas normales, pesadas o delicadas.
El tambor no gira (las cuatro luces indicadoras del botón Cycle están encendidas al mismo tiempo).	<ul style="list-style-type: none"> ¿La puerta delantera está cerrada? 	<ul style="list-style-type: none"> Cierre la puerta delantera y oprima el botón Start/Pause.

ADVERTENCIA

Nunca sobrecargue la secadora.

Nunca meta ropa mojada que el ciclo de centrifugado de la lavadora no haya exprimido.

Si no funcionan las soluciones, desconecte la unidad y llame a servicio al cliente.

GARANTÍA LIMITADA

Si necesita servicio, primero consulte la sección "Solución de problemas" del Manual del usuario. Después de hacerlo, puede obtener más ayuda si llama a la línea de servicio al cliente de Haier America las 24 horas del día de los 7 días de la semana. Llame al 1-877-337-3639.

Garantía limitada

¿Qué cubre y por cuánto tiempo?

Esta garantía cubre todos los defectos de fabricación o de materiales durante un período de:

12 meses en mano de obra

12 meses en partes

(únicamente partes funcionales)

La garantía entra en vigor en la fecha de compra del artículo. El cliente debe proporcionarle a Haier el comprobante de la fecha de compra y el recibo original, junto con: la marca, el modelo y el número de serie, para que se verifiquen antes de prestar cualquier servicio contemplado en la garantía.

Haier America puede ofrecer el servicio de forma interna, si así lo decide.

EXCEPCIONES: Garantía del producto para uso comercial o de renta.

90 días para mano de obra y 90 días para partes. No se aplica ninguna otra garantía.

¿Qué cubre?

1. Las partes mecánicas y eléctricas del aparato cuyo objetivo es poner en funcionamiento este aparato tienen cobertura por un período de 12 meses o lo indicado más arriba. Esto incluye todas las partes, excepto la terminación, el acabado y el vidrio.
2. La garantía limitada no cubre ningún crédito o reembolso por ninguna pérdida o lesión provocada por el producto o por defectos del producto, que incluyen entre otros, daños incidentales o derivados.

¿Qué se hará?

1. Haier reparará o reemplazará, a su criterio, cualquier parte mecánica o eléctrica que resulte estar defectuosa por uso normal durante el período de garantía especificado.

TODO EL SERVICIO DE GARANTÍA DEBERÁ SER PRESTADO ÚNICAMENTE POR NUESTROS CENTROS DE SERVICIO DE FÁBRICA O POR UN TÉCNICO AUTORIZADO DE SERVICIO AL CLIENTE DE HAIER.

Si se determina que no corresponde hacer una reparación o que las partes de repuesto no están disponibles para hacerla, Haier le cambiará el producto por uno arreglado o uno

nuevo igual o similar al original, según lo que determine.

2. No se le cobrará al comprador las partes de repuesto funcionales y la mano de obra de ningún artículo cubierto durante el período inicial de 12 meses o según se indique arriba.
3. ESTA GARANTÍA CUBRE APARATOS DENTRO DE ESTADOS UNIDOS CONTINENTAL, PUERTO RICO Y CANADÁ. NO CUBRE LO SIGUIENTE:

Daños por instalación inadecuada.

Daños producidos durante el envío. Defectos distintos a los de fabricación. Daño por uso incorrecto, maltrato, accidente, alteración, falta de cuidado y mantenimiento adecuados, corriente o voltaje incorrectos, o desastres naturales. Daño por uso distinto al doméstico.

Daño por un servicio brindado por alguien distinto a un distribuidor o centro de servicio autorizado. Acabados decorativos, vidrios o bombillados reemplazables. Costos de transporte y envío. Mano de obra (después de los primeros 12 meses). Crédito o reembolso por productos después de 30 días o más de la fecha de compra. Esta garantía limitada no aplica a productos reconstruidos o a unidades adquiridas como nuevas o de segunda mano.

ESTA GARANTÍA LIMITADA SE OTORGA EN LUGAR DE CUALQUIER OTRA GARANTÍA EXPRESA O INCLUSO LAS GARANTÍAS DE COMERCIALIZACIÓN E IDONEIDAD PARA UN FIN EN PARTICULAR. La solución ofrecida en esta garantía es exclusiva y se otorga en lugar de cualquier otra solución. Esta garantía no cubre daños incidentales o derivados, de modo que es posible que las limitaciones anteriores no apliquen en su caso. Algunos estados no permiten limitaciones sobre la duración de una garantía implícita, de modo que es posible que las limitaciones anteriores no apliquen en su caso.

Esta garantía le otorga derechos legales específicos; usted puede tener otros derechos, que varían en cada estado.

Haier America

New York, NY 10018

Para recibir servicio para su producto, comuníquese a la línea de servicio al cliente de Haier America las 24 horas del día de los 7 días de la semana. En los EE. UU., llame al 1-877-337-3639.

IMPORTANT

Do Not Return This Product To The Store

If you have a problem with this product, please contact the
"Haier Customer Satisfaction Center" at 1-877-337-3639.

DATED PROOF OF PURCHASE REQUIRED FOR WARRANTY SERVICE

IMPORTANT

Ne pas retourner ce produit au magasin

Pour tout problème concernant ce produit, veuillez contacter le
service Haier au 1-877-337-3639.

UNE PREUVE D'ACHAT DATÉE EST REQUISE POUR BÉNÉFICIER DE LA GARANTIE.

IMPORTANTE

No regrese este producto a la tienda

Si tiene algún problema con este producto, por favor contacte el "Centro de
Servicio al Consumidor de Haier" al 1-877-337-3639 (Válido solo en E.U.A).

NECESITA UNA PRUEBA DE COMPRA FECHADA PARA EL SERVICIO DE LA GARANTIA

**Made in China
Fabriqué en Chine
Hecho en China**

Haier®

**Haier America
New York, NY 10018**

Printed in China

HLP141E, HLP140E

Issued: March 2011

©2011 Haier America Trading, LLC. All Rights Reserved.

Free Manuals Download Website

<http://myh66.com>

<http://usermanuals.us>

<http://www.somanuals.com>

<http://www.4manuals.cc>

<http://www.manual-lib.com>

<http://www.404manual.com>

<http://www.luxmanual.com>

<http://aubethermostatmanual.com>

Golf course search by state

<http://golfingnear.com>

Email search by domain

<http://emailbydomain.com>

Auto manuals search

<http://auto.somanuals.com>

TV manuals search

<http://tv.somanuals.com>