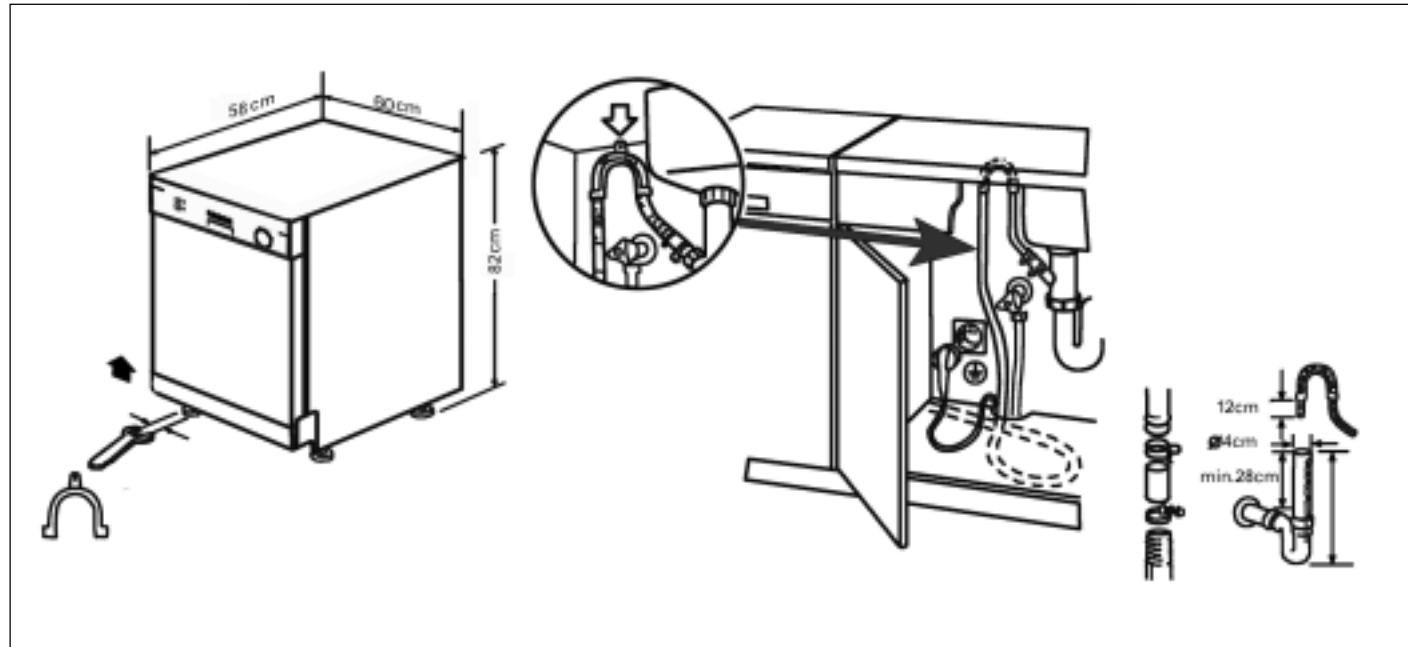


# Installation

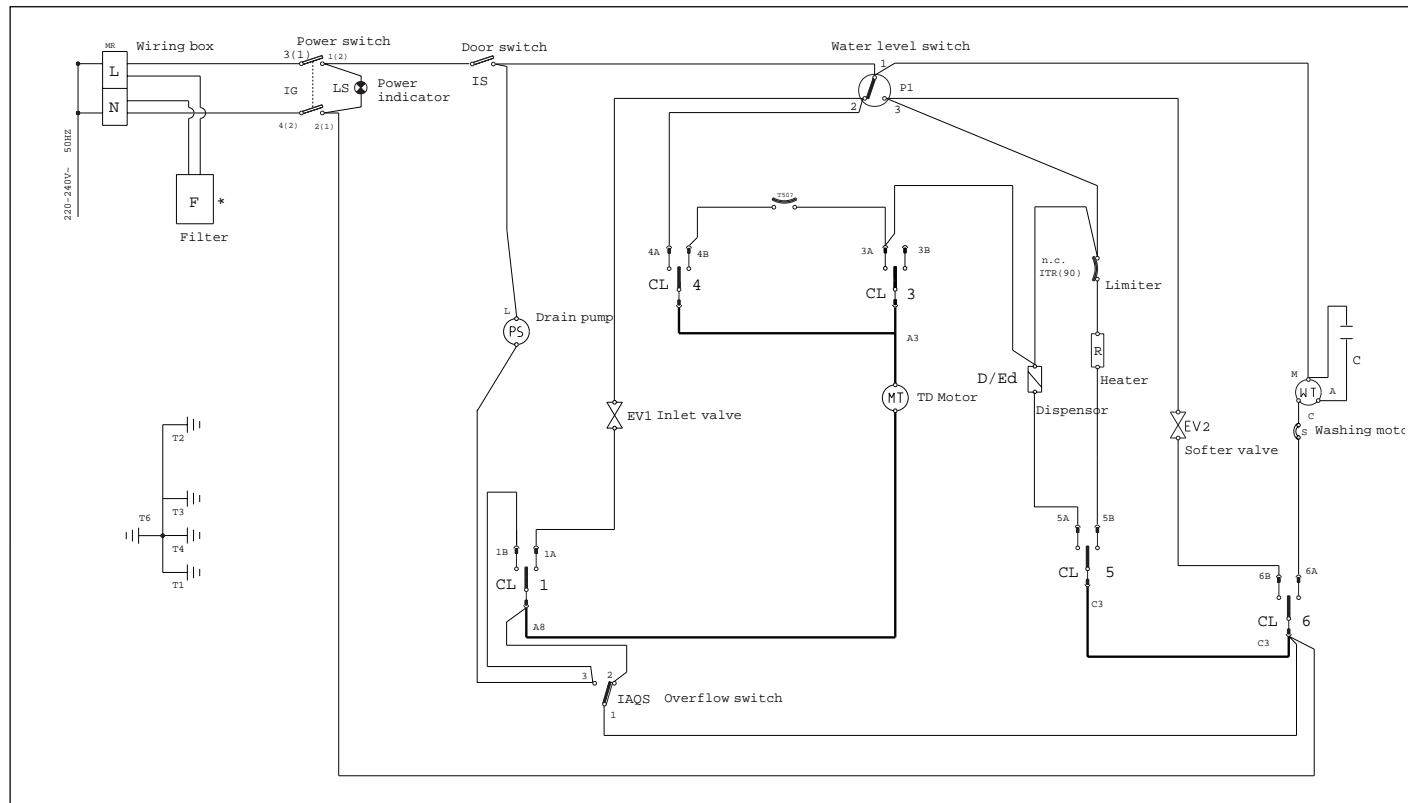


# Haier

## Domestic Dishwasher DW12-EBM



# Diagram



GB

Code: 0120501504

## Safety Is a Good Habit to Get Into

### NOTICE

Carefully read the instructions contained in this manual, as they provide information which is essential to safe and proper installation, use and maintenance of the appliance.

**CE** This appliance complies with following EEC directives:

-73/23/EEC of 19/02/73(Low Voltage)and subsequent modifications;

- 89/336/EEC of 03/05/89 (Electromagnetic Compatibility) and subsequent modifications.

- Carefully dispose of the packing material.

- After removing the packing,check to make sure that the appliance is not damaged.If in doubt,contact a qualified professional.

- The dishwasher must only be used by adults for the washing of household dishes and cooking utensils.

- Fundamental rules to follow when using the appliance:

\* Never touch the dishwasher when bare foot or with wet hands or feet;

\* We discourage the use of extension cords and multiple sockets;

\* During installation,the power supply cord must not be excessively or dangerously bent or flattened;

\* If the appliance is not operating properly or,maintenance must be performed,disconnect the appliance from the power supply.

- Keep detergents out of the reach of children,who must also be kept away from the dishwasher when it is open.

- This appliance cannot be installed outdoors,not even if the area in which it is installed is covered by a roof;it is also very dangerous leave it exposed to the rain and elements.

- Do not touch the heating element during or after a wash cycle.

- Do not lean or sit on the door when it is open ,as this could overturn the dishwasher.

- If the appliance malfunctions,turn off water supply to the appliance and disconnect the plug from the wall socket.Then,consult the section entitled, "Troubleshooting."If you cannot resolve the problem,contact a service centre.

- Only specialised personnel are authorised to make repairs.

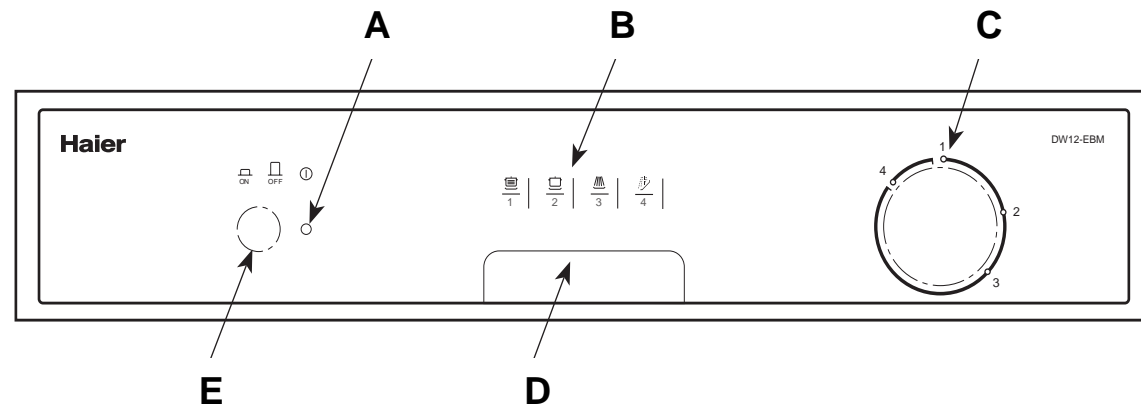
- Appliances which are no longer being used must be made inoperable by cutting the power supply cord and removing the door lock.

- The appliance must be positioned so that the plug is accessible.

- The carpet must not obstruct the opening when the appliance is stalling on the ground with carpet.

- If the supply cord is damaged , it must be replaced by a special cord or assembly available from the manufacturer or its service agent.

## Close-up View (control panel)



**A** ON-OFF Light

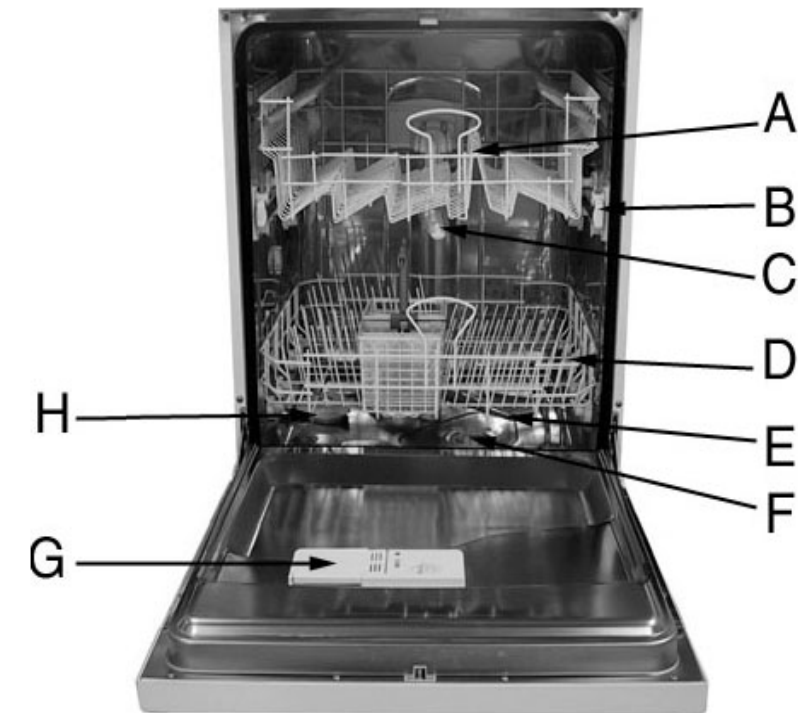
**B** Program Finger

**C** Knob For Selecting Cycle

**D** Handle For Opening Door

**E** ON-OFF Button

## Close-up View (Interior)



**A** Upper Rack

**B** Rack Height Adjustor

**C** Top Sprayer Arm

**D** Lower Rack

**E** Bottom Sprayer Arm

**F** Washing Filter

**G** Detergent and Rinse Aid Dispenser

**H** Salt Container Cap

### Technical characteristics

Width	60 cm
Depth	58 cm
Height	82 cm
Capacity	12 standard place settings
Mains water pressure	0.03-0.6 MPa
Power voltage	220-240V~
Total absorber power	2100W

**Salt**

The hardness of the water varies from place to place. If hard water is used in the dishwasher, deposits will form on the dishes utensils.

The appliance is equipped with a special softener that uses a salt specifically designed to eliminate lime and minerals from the water.

**Loading the Salt into the Softener**

Always use salt intended for use with dishwashers.

The salt container is located beneath the lower rack and should be filled as follows:

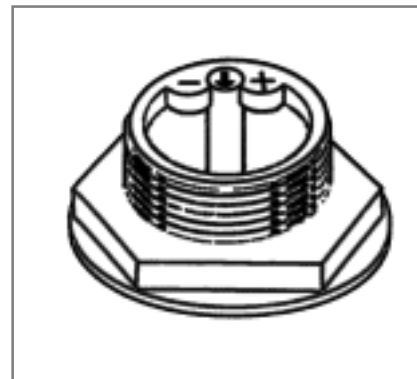
- Remove the lower rack and then unscrew and remove the cap from the salt container;
- If you are filling the container for the first time, fill it with water;
- Place the end of the funnel(supplied) into the hole and introduce about 2 kg of salt. It is normal for a small amount of water to come out of the salt container.
- Carefully screw the cap back on.



**Adjusting Salt Consumption**

The dishwasher is designed to allow for adjusting the amount of salt consumed based on the hardness of the water used. This is intended to optimize and customize the level of salt consumption so that it remains at a minimum.

To adjust salt consumption, proceed as follows:



- Unscrew the cap from the salt container;
- There is a ring on the container with an arrow on it (see figure to the side),
- If necessary, rotate the ring in the anticlockwise direction from the "-" setting towards the "+" sign, based on the hardness of the water being used.

It is recommended that adjustments be made in accordance with the following scheme:

Water Hardness			Selector position	Salt consumption (Grams/cycle)	Autonomy (cycles/2kg)
Clarke degrees	° dH	mmol/l			
0 ÷ 14	0 ÷ 10	0 ÷ 1,7	/	0	/
14 ÷ 36	18 ÷ 44	1,8 ÷ 4,4	"-"	20	60
36 ÷ 71	45 ÷ 89	4,5 ÷ 8,9	MED	40	40
>71	>89	>8,9	"+"	60	25

To prevent the formation of rust, load the salt just before beginning a wash cycle.

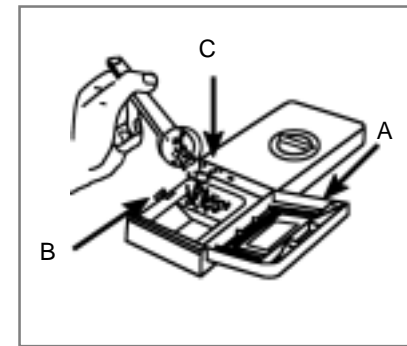
**Detergent**

Detergent specifically intended for use with dishwashers must be used. The dispenser must be refilled before the start of each wash cycle following the instructions provided in the "Wash Cycle Table." The detergent dispenser is located on the inside panel of the door.

**Loading the detergent**

To open the "A" cover on the dispenser, press the "B" button. The detergent for the wash cycle should be poured into the "C" compartment.

After the detergent has been placed in the dispenser, close the cover and press down until it clicks in place.



**Notice:** To facilitate closing the cover, remove any excess detergent on the edges of the dispenser.

**Rinse Aid**

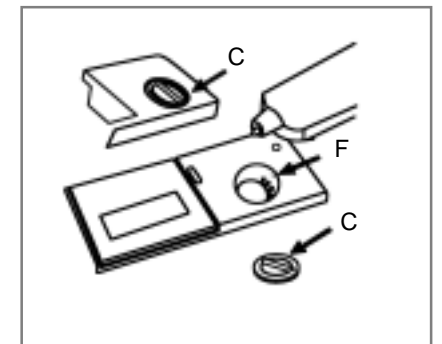
This product makes dishes sparkle and helps them to dry without spotting. The dispenser is located on the inside panel of the door and should be filled after every 80 wash cycle (or when the rinse aid indicator light comes on for those models with this feature).

**Loading the Rinse Aid**

To open the dispenser, turn the "C" cap in the anti-clockwise direction and then pour in the rinse aid, making sure not to overfill. The amount of rinse aid used for each cycle can be regulated by turning the "F" dose adjustor, located beneath the "C" cap, with a screwdriver. There are 6 different settings; the normal dosage setting is 3.

**Important**

*Proper dosage of the rinse aid improves drying. If drops of water remain on the dishes or spotting occurs, the dosage adjustor should be turned to a higher setting. If the dishes have white streaks, turn the dosage adjustor to a lower setting.*



## Loading the Dishwasher

Before placing the dishes in the dishwasher, remove the large food particle to prevent the filter from becoming clogged, which results in reduced performance.

If the pots and pans have baked-on food that is extremely hard to remove, we recommend that they be allowed to soak before they are washed. This will eliminate the need for extra wash cycles.

Pull out the rack to facilitate loading the dishwasher.

### How to Use the Lower Rack

We recommend that you place the most difficult to clean items on the bottom rack: pots, lids, serving dishes and bowls, as shown in the figure to the right.

It is preferable to place serving dishes and lids on the sides of the racks in order to avoid blocking the rotation of the top spray arm.

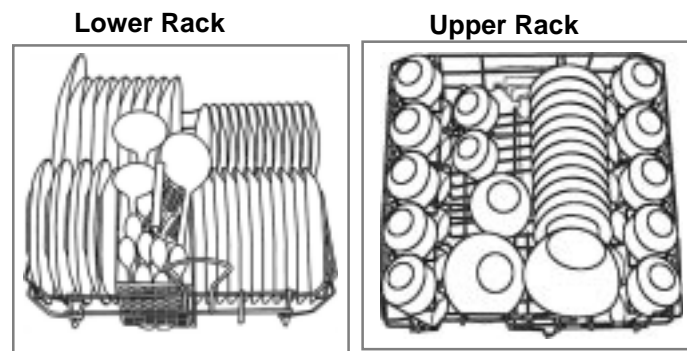
- Pots, serving bowls, etc. must always be placed top down.
- Deep pots should be slanted to allow the water to flow out.
- Silverware should be placed in the silverware basket with the handles at the bottom; if the rack has side baskets, the spoons should be located individually into the appropriate slots. Especially long utensils should be placed in the horizontal position at the front of the upper rack (see fig. A).

### How to Use the Upper Rack

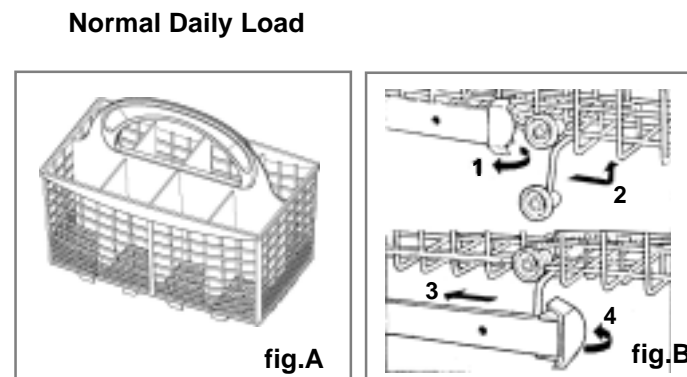
The upper rack is designed to hold more delicate and lighter dishware, such as glasses, coffee and tea cups and saucers, as well as plates, small bowls and shallow pans (as long as they are not too dirty).

Position the dishes and cookware so that they do not get moved by the spray of water.

The upper rack can be adjusted for height by using the knobs located on the sides of the rack itself (see fig. B).



Load for 12 Standard Settings



## Turning on the Appliance

### Starting a wash cycle...

- Make sure that the plug for the appliance is inserted into the wall socket.
- Make sure that the water supply is turned on to full pressure.
- Load the dishwasher (see the section entitled, "Loading the Dishwasher").
- Pour in the detergent (see the section entitled, "Salt, Detergent and Rinse Aid").
- Turn the knob located on the right of the control panel in the clockwise direction until the number or symbol for the cycle setting is aligned with the reference mark (see the section entitled, "Wash Cycle Table").
- Press the ON-OFF button, and the ON-OFF light will turn on. At this point, the wash cycle will begin.

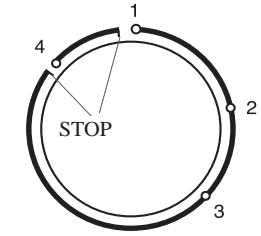
### If you forget to load some of the dishes...

The wash cycle can be interrupted by pressing the ON-OFF button. You can then load additional dishes and turn the appliance back on. The cycle will start where it left off.

### At the end of the wash cycle...

When the knob stops turning and is aligned with a STOP mark (see figure), the cycle has finished. Turn off the appliance using the ON-OFF button, turn off the water supply and open the door of the dishwasher.

Wait a few minutes before unloading the dishwasher to avoid handling the dishes and utensils while they are still hot and more susceptible to breakage. They will also dry better.



### Cancelling or modifying a wash cycle setting...

Premise: A cycle that is underway can only be modified if it has only been running for a short time. Otherwise, the detergent may have already been used, and the appliance may have already drained the wash water. If this is the case, the detergent dispenser must be refilled (see the paragraph entitled, "Loading the Detergent").

Press the ON-OFF button, and the ON light will turn off. Rotate the knob in the clockwise direction to the desired cycle setting (see the section entitled, "Starting a wash cycle..."). Then, turn the dishwasher back on using the ON-OFF button.

## Energy Saving Tips

- It is important to try and run the dishwasher when it is fully loaded to save on energy. In order to prevent odors from forming and food from caking onto the dishes, you can run the hold cycle.
- Choose the right wash cycle: the choice of cycle depends on the type of dishware, cookware and utensils being washed and how dirty they are.
- Use the right amount of detergent: if you use too much detergent, the result will not be cleaner dishes, but, rather, a greater negative impact on the environment.
- There is no utility in rinsing dishes, cookware and utensils before placing them in the dishwasher.

## How to Keep Your Dishwasher in Shape

### After Every Wash

After every wash, turn off the water supply to the appliance and leave the door slightly ajar so that moisture and odors are not trapped inside.

### Remove the Plug

Before cleaning or performing maintenance, always remove the plug from the socket. Do not run risks.

### No Solvents or Abrasive Cleaning Products

To clean the exterior and rubber parts of the dishwasher, do not use solvents or abrasive cleaning products. Rather, use only a cloth and warm soapy water.

To remove spots or stains from the surface of the interior, use a cloth dampened with water and a little white vinegar, or a cleaning product made specifically for dishwasher.

### Moving the Appliance

If the appliance must be moved, try to keep it in the vertical position. If absolutely necessary, it can be positioned on its back.





### Seals

One of the factors that cause odors to form in the dishwasher is food that remains trapped in the seals. Periodic cleaning with a sponge will prevent this from occurring.

### When You Go on Holiday

When You Go on Holiday, it is recommended that you run a wash cycle with the dishwasher empty and then remove the plug from the socket, turn off the water supply and leave the door of the appliance slightly ajar. This will help the seals last longer and prevent odors from forming within the appliance.

## Wash Cycle Table

Cycle	Cycle Selection Information	Description of cycle	Detergent	Rinse Aid
 Heavy Duty	Very dirty dishes, pots and pans (not to be used with delicate items).	Pre-wash with hot water. Extended wash at 65°C. Rinse with cold water. Rinse with hot water. Drying.	30g	★
 Normal Wash IEC-EN 50242	Normally dirty dishes, pots and pans. Standard daily cycle.	Extended wash at 55°C. Rinse with cold water. Rinse with hot water. Drying.	30g	★
 Rinse	For dishes that need to be rinsed and dried only.	Rinse with cold water. Rinse with hot water. Drying.		★
 Soak	Pre-wash of dishes, pots and pans while waiting for the load to be completed after the next meal.	Short cold wash to prevent food residue from drying on the dishes.		

## Cleaning and Special Maintenance

### Filter Assembly

For best performance and results, the filter assembly must be cleaned.

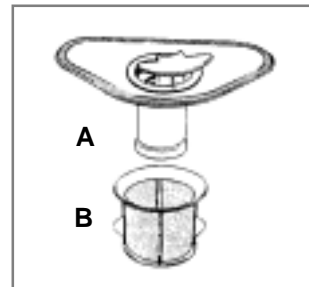
The filter efficiently removes food particles from the wash water, allowing it to be recirculated during the cycle. For this reason, it is a good idea to remove the larger food particles trapped in the filter after each wash cycle by rinsing the "A" semi-circular filter and cup under running water. To remove the filter assembly, pull on the cup handle in the upward direction. The entire filter assembly (made up of the "A" semi-circular filter and the "B" fine filter) should be cleaned at least once a month. To clean the filter and the fine filter, use a cleaning brush. Then, reassemble the filter parts as shown in the figures below and reinsert the entire assembly in the dishwasher, positioning it in its seat and pressing downward.

The dishwasher must never be used without the filters. Improper replacement of the filters may reduce the level of the appliance and damage dishes and utensils.



### Cleaning the Spray Arms

It may happen that food particles become encrusted on the sprayer arms and block the hole (see "Close up view [interior]", letters C-F). Check the sprayer arms periodically and clean them when needed.



## Troubleshooting

It may occur that the dishwasher does not function or does not function properly. Before calling for assistance, let us see what can be done first: have you forgotten to press one of the buttons or to perform an essential operation?

### The Dishwasher Does Not Start

Have you checked whether:

- the plug is pushed into the socket correctly;
- the power is on in the house;
- the door is closed properly;
- the ON-OFF switch is on "ON";
- the water supply is turned on.

### The Dishwasher Does Not Load Water

Have you checked whether:

- the water is turned on and the hose is connected properly;
- the water supply to the house is on and has sufficient pressure;
- the water supply hose is crimped or bent;
- the filter for the water supply hose is clogged.

### The Dishes Are Not Clean

Have you checked whether:

- the water is turned on and the hose is connected properly;
- the water supply to the house is on and has sufficient pressure;
- the water supply hose is crimped or bent;
- the filter for the water supply hose is clogged.

### The Dishwasher Does Not Drain

Have you checked whether:

- the drain hose is crimped or bent.

### Lime Deposits or a White Film Form on the Dishes

Have you checked whether:

- the lid to the salt container is closed properly;
- the rinse aid dosage is correct.

If, despite all these checks, the dishwasher still does not function and/or the problem persists, contact the nearest authorised service centre and provide them with the following information:

- the nature of the problem;
- the model type number (Mod...) and the serial number (S/N...), which are indicated on the plate located on the side of the inner part of the door.

**Never call on unauthorised technicians and refuse to allow parts to be installed that are not original spare parts.**

## Installation

### Positioning the Appliance

Positioning the appliance in the desired location. The back should rest against the wall behind it, and the sides, along the adjacent cabinets or wall. The dishwasher is equipped with water supply and drain hoses that can be positioned to the right or the left to facilitate proper installation.

### Levelling the Appliance

Once the appliance is positioned, adjust the feet (screwing them in or out) to adjust the dishwasher, making it level. In any case, the appliance should not be inclined more than 2°. If the appliance is level, it will help ensure proper performance.

### Cold Water Connection

Connect the cold water supply hose to a threaded 3/4" (gas) connector and make sure that it is fastened tightly in place (see fig. 1).

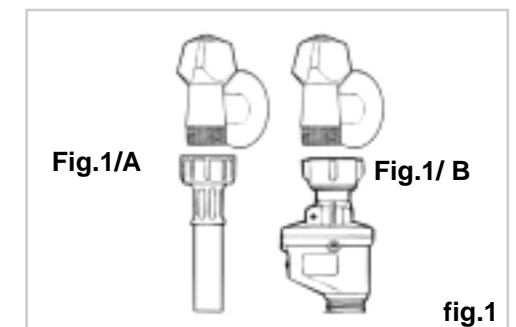
If the water pipes are new or have not been used for an extended period of time, let the water run to make sure that the water is clear and free of impurities. If this precaution is not taken, there is a risk that the water inlet can get blocked and damage the appliance.

### Hot Water Connection

The water supply to the appliance can also be connected to the house's hot water line (centralised system, heating system), as long as it does not exceed a temperature of 60°C.

In this case, the wash cycle time will be shortened by about 15 minutes and the wash efficiency slightly reduced.

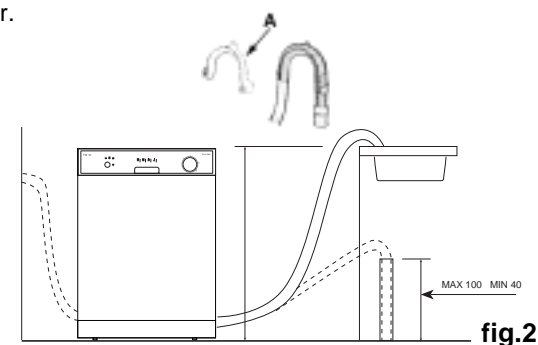
The connection must be made to the hot water line following the same procedures as those for the connection to the cold water line.



## Installation

### Drain Hose Connection

Insert the drain hose into a drain pipe with a minimum diameter of 4cm. Or let it run into the sink, making sure to avoid bending or crimping it. Use the special plastic support that comes with the appliance (see fig. 2). The free end of the hose must be at a height between 40 and 100 cm and must not be immersed in water.



### Attention:

*The special plastic hose support must be solidly fastened to the wall to prevent the drain hose from moving and allowing water to spill outside the drain.*

### Electrical Connection

After making sure that the voltage and frequency values for the current in the home correspond to those on the rating plate (located on the stainless steel inner door of the appliance) and that the electrical system is sized for the maximum voltage on the rating plate, insert the plug into an electrical socket which is earthed properly (the earthing of the appliance is a safety requirement mandated by law).

If the electrical socket to which the appliance must be connected is not appropriate for the plug, replace the plug, rather than using adaptors or the like as they could cause overheating and burns.

## Free Manuals Download Website

<http://myh66.com>

<http://usermanuals.us>

<http://www.somanuals.com>

<http://www.4manuals.cc>

<http://www.manual-lib.com>

<http://www.404manual.com>

<http://www.luxmanual.com>

<http://aubethermostatmanual.com>

Golf course search by state

<http://golfingnear.com>

Email search by domain

<http://emailbydomain.com>

Auto manuals search

<http://auto.somanuals.com>

TV manuals search

<http://tv.somanuals.com>