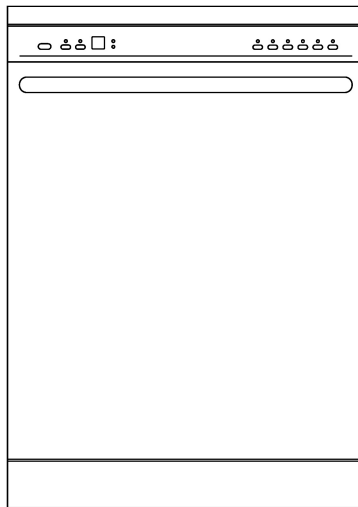


Haier

Dishwasher
DW12-PFE2-E
Instructions for Use



0120505343

EN

DE

FR

IT

NL

CZ

SL

TR

Download from [Www.Somanuals.com](http://www.Somanuals.com). All Manuals Search And Download.

Table of Contents (EN)

Safety information	1
Installation	3
Getting to know your dishwasher	5
How to fill the salt	6
How to fill rinse aid	8
How to fill the detergent dispenser	8
Not suitable for the dishwasher	9
Arranging crockery, glasses, etc. in the dishwasher	10
Programme overview	12
Washing dishes	14
How to keep your dishwasher in shape	17
Care and maintenance	18
Fault finding	20
Technical data	24
Important information	24

Inhaltsverzeichnis (DE)

Sicherheitsinformationen	27
Installation	29
Machen Sie sich mit Ihrem Geschirrspüler vertraut	31
Salz einfüllen	32
Klarspülmittel einfüllen	34
Spülmittelbehälter befüllen	34
Für den Geschirrspüler ungeeignet	35
Geschirr, Gläser, usw. in der Spülmaschine anordnen	36
Programmübersicht	38
Geschirr spülen	40
So pflegen Sie Ihren Geschirrspüler	43
Wartung und Pflege	44
Fehlersuche	46
Technische Daten	50
Wichtige Informationen	50

Table des matières (FR)

Informations relatives à la sécurité	53
Installation	55
Pour vous familiariser avec votre lave-vaisselle	57
Remplir le réservoir de sel	58
Remplir le réservoir du produit de rinçage	60
Remplir le distributeur de détergent	60
Ce qui ne convient pas pour le lave-vaisselle	61
Disposition de la vaisselle dans l'appareille	62
Aperçu des programmes	64
Laver la vaisselle	66
Pour garder le lave-vaisselle en bon état	69
Entretien et maintenance	70
Dépannage	72
Spécifications techniques	76
Informations importantes	76

Sommario (IT)

Informazioni sulla sicurezza	79
Installazione	81
Illustrazione della lavastoviglie	83
Come caricare il sale	84
Come caricare il brillantante	86
Come caricare l'erogatore del detersivo	86
Non adatto al lavaggio in lavastoviglie	87
Disposizione di stoviglie, bicchieri ecc. nella lavastoviglie	88
Riepilogo programmi	90
Lavaggio delle stoviglie	92
Come mantenere la lavastoviglie in buone condizioni	95
Cura e manutenzione	96
Ricerca guasti	98
Dati tecnici	102
Informazioni importanti	102

Inhoudsopgave (NL)

Veiligheidsrichtlijnen	105
Installatie	107
Uw vaatwasser in detail	109
Zout bijvullen	110
Spoeļglansmiddel bijvullen	112
Vaatwasmiddel bijvullen	112
Niet geschikt voor de vaatwasser	113
Aardewerk, glaswerk enz. in de vaatwasser rangschikken	114
Programmaoverzicht	116
Afwassen	118
Onderhoud van uw vaatwasser	121
Verzorging en onderhoud	122
Problemen oplossen	124
Technische gegevens	128
Belangrijke informatie	128

Obsah (CZ)

Bezpečnostní informace	131
Instalace	133
Seznámení s myčkou nádobí	135
Doplňování soli	136
Doplňování leštidla	138
Naplnění dávkovače mycího prostředku	138
Co není vhodné vkládat do myčky nádobí	139
Uspořádání nádobí, sklenic, atd. v myčce nádobí	140
Přehled programů	142
Mytí nádobí	144
Jak udržet myčku nádobí v dobrém stavu	147
Péče a údržba	148
Hledání závady	150
Technické údaje	154
Důležité informace	154

Obsah (SK)

Informácie o bezpečnosti	157
Inštalácia	159
Zoznáme sa so svojou umývačkou	161
Doplňovanie soli	162
Doplňovanie leštidla	164
Doplňovanie umývacieho prostriedku	164
Nevhodné do umývačky riadu	165
Ukladanie riadu, skla a pod. do umývačky	166
Přehľad programov	168
Umyvanie riadu	170
Ako udržiavať umývačku v dobrom stave	173
Starostlivosť a údržba	174
Hľadanie závad	176
Technické údaje	180
Dôležité informácie	180

İçindkiler (TR)

Güvenlik Bilgisi	183
Kurulum	185
Bulaşık makinizi tanıyalım	187
Tuz nasıl doldurulur	188
Durulamada kullanılacak madde nasıl doldurulur	190
Deterjan dağıtıcısı nasıl doldurulur	190
Bulaşık makinesine zarar vermemek için	191
Çatal-kaşık takımları, bardaklar vb. bulaşık makinesine yerleştirme	192
Programlara genel bakış	194
Tabaklar - çanaklar	196
Bulaşık makinizi nasıl korursunuz	199
Bakım ve onarım	200
Arıza bulma	202
Teknik veriler	206
Önemli bilgi	206

At time of delivery

- Check packaging and dishwasher immediately for signs of transport damage. If the appliance is damaged, do not put it into use but contact your supplier or customer service without delay.
- Please dispose of packaging materials properly.

During installation

- Site the dishwasher and connect it up in accordance with the installation instructions.
- The dishwasher must not be connected to the electricity supply while installation is being carried out.
- Ensure that the domestic wiring is properly earthed.
- The mains electricity supply must conform to the details shown on the dishwasher nameplate.
- Do not connect the dishwasher to the electricity supply via an extension cable.
- Built-under and built-in appliances should always be installed under a continuous work surface which is attached to the adjacent cupboards, in order to ensure that the appliance is entirely stable.
- After the appliance has been installed, the mains plug should still be easily accessible.
- During installation, the power supply cord must not be excessively or dangerously bent or flattened.

During normal use

- The dishwasher must only be used by adults for the washing of household dishes and cooking utensils.
- This appliance cannot be installed outdoor, not even if the area in which it is installed is covered by a roof; it is also very dangerous to leave it exposed to the rain and elements.
- Do not place any heavy objects or stand on the door when it is open. The appliance could tip forward.
- The water inside the dishwasher is not suitable for drinking.
- Do not use solvents of any kind inside your dishwasher. They could cause an explosion danger.
- Open the door very carefully if the dishwasher is operating. There is a risk of water squirting out.
- Fundamental rules to follow when using the appliance:
 - Never touch the dishwasher when barefoot or with wet hands or feet;
 - We discourage the use of extension cords and multiple sockets;
 - If the appliance is not operating properly or maintenance must be performed, disconnect the appliance from the power supply.

If your family includes children

- The appliance is not intended for use by young children or infirm persons without supervision.
- Young children should be supervised to ensure that they do not play with the appliance.
- Keep detergents out of the reach of children, who must also be kept away from the dishwasher when it is open.

If a fault occurs

- If the appliance malfunctions, turn off water supply to the appliance and disconnect the plug from the wall socket. Then, consult the section entitled, "Fault finding" .If you cannot solve the problem, contact a service center.
- Only specialised personnel are authorised to make repairs.
If the supply cord is damaged, it must be replaced by the manufacture, its service agent or similarly qualified persons in order to avoid a hazard.
- To maintain the EFFICIENCY and SAFETY of this appliance,we recommend:
 - call only the Service Centers authorized by the manufacturer.
 - always use original Spare Parts.

When disposing of old appliances

- Appliances which are no longer being used must be made inoperable by cutting the power supply cord and removing the door lock.
- Take the appliance to a designated waste disposal center.



Dangerous voltage



Warning

Children could get locked in the appliance (risk of suffocation) or get stuck in other positions. Therefore: Remove the mains plug, cut the mains wire and set aside. Damage the door lock so that the door can no longer be closed.

Positioning the appliance

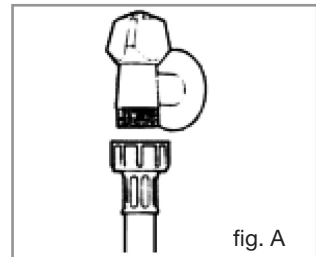
Positioning the appliance in the desired location. The back should rest against the wall behind it, and the sides, along the adjacent cabinets or wall. The dishwasher is equipped with water supply and drain hoses that can be positioned to the right or the left to facilitate proper installation.

Levelling the appliance

Once the appliance is positioned, adjust the feet (screwing them in or out) to adjust the dishwasher, making it level. In any case, the appliance should not be inclined more than 2°. If the appliance is level, it will help ensure proper performance.

Cold water connection

Connect the water supply hose to a threaded 3/4 (gas) connector, making sure that it is fastened tightly in place (see fig.A). If the water pipes are new or have not been used for an extended period of time, let the water run to make sure that the water is clear and free of impurities. If this precaution is not taken, there is a risk that the water inlet can get blocked and damage the appliance.

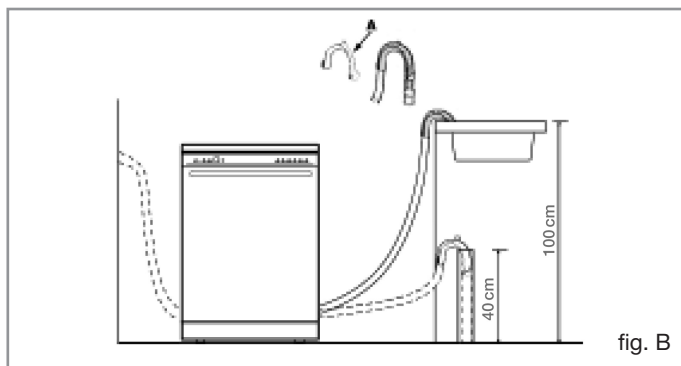


Warning

The appliance is to be connected to the water mains using new hosesets and that old hose-sets should not be reused.

Drain hose connection

Insert the drain hose into a drain pipe with a minimum diameter of 4cm, or let it run into the sink, making sure to avoid bending or crimping it. If necessary, fit a syphon trap (U-bend) with a connecting piece for the drain hose (fig.B). The free end of the hose must be at a height between 40 and 100 cm and must not be immersed in water.



Attention:

The connecting piece for syphon trap (U-bend) must be solidly fastened to the wall to prevent the drain hose from moving and allowing water to spill outside the drain.

Electrical Connection

After making sure that the voltage and frequency values for the current in the home correspond to those on the rating plate (located on the stainless steel inner door of the appliance) and that the electrical system is correct for the maximum voltage on the rating plate, insert the plug into an electrical socket which is earthed properly (the earthing of the appliance is a safety requirement mandated by law).

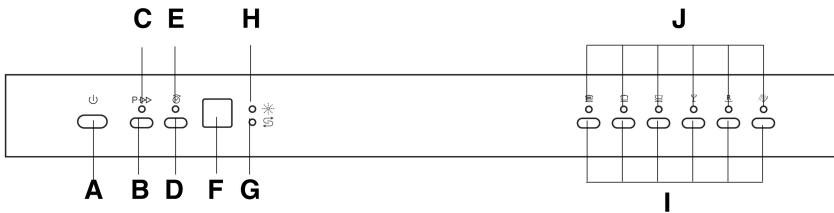
If the electrical socket to which the appliance must be connected is not appropriate for the plug, replace the whole cable, rather than using adaptors or the like as they could cause overheating and burns.



Caution:

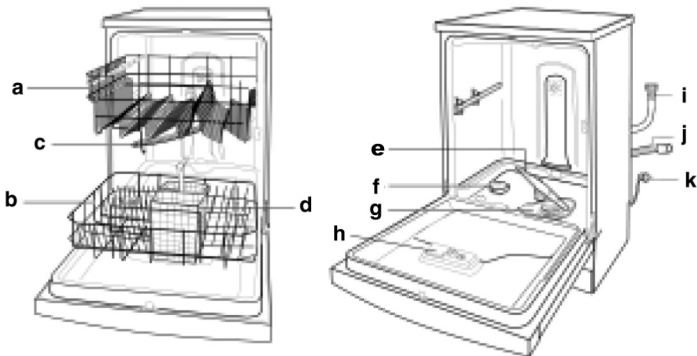
The dishwasher plug must be accessible even when the appliance is installed as a built-in unit so that maintenance can be done safely.

Close-up view (control panel)



- | | |
|-----------------------------------|-----------------------------------|
| A ON-OFF Button | F Time-remaining Indicator |
| B "Speedup Wash" Button | G Low Salt Indicator |
| C "Speedup Wash" Indicator | H Low Rinse Aid Indicator |
| D Delayed Start Button | I Programme Button |
| E Delayed Start Indicator | J Programme Indicator |

Dishwasher interior



- | | |
|-----------------------------|--|
| a Upper Rack | g Washing Filter |
| b Lower Rack | h Detergent and Rinse Aid Dispenser |
| c Top Spray Arm | i Water Inlet Hose |
| d Silverware Basket | j Drain Hose |
| e Bottom Spray Arm | k Power Supply Cord |
| f Salt Container Cap | |

Salt

The hardness of the water varies from place to place. If hard water is used in the dishwasher, deposits will form on the dishes and utensils.

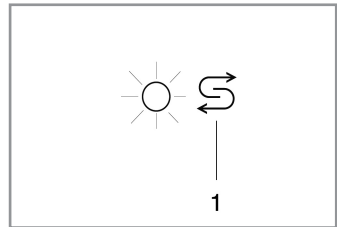
The appliance is equipped with a special softener that uses a salt specifically designed to eliminate lime and minerals from the water.

Loading the salt into the container

Always use salt intended for use with dishwashers.

The salt container is located beneath the lower rack and should be filled as follows:

- When the low salt indicator “1” lights, you must fill the salt.
- Remove the lower rack and then unscrew and remove the cap from the salt container;
- If you are filling the container for the first time, fill it with water;
- Place the end of the funnel (supplied) into the hole and introduce about 2 kg of salt. It is normal for a small amount of water to come out of the salt container.
- Carefully screw the cap back on.



Important

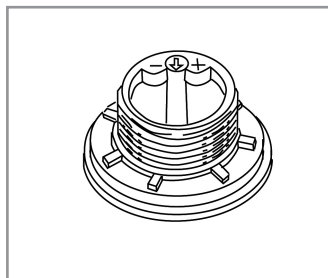
To prevent the formation of rust, load the salt just before beginning a wash cycle.

Adjusting salt consumption

The dishwasher is designed to allow for adjusting the amount of salt consumed based on the hardness of the water used. This is intended to optimize and customize the level of salt consumption so that it remains at a minimum.

To adjust salt consumption, proceed as follows:

- Unscrew the cap from the salt container;
- There is a ring on the container with an arrow on it (see figure to the side),
- If necessary, rotate the ring in an anticlockwise direction from the “-” setting towards the “+” sign, based on the hardness of the water being used.



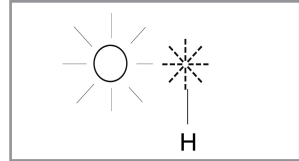
It is recommended that adjustments be made in accordance with the following table:

Water Hardness				Selector position	Salt consumption (Grams/cycle)	Autonomy (cycles/2kg)
Level	Clarke degrees	°dH	mmol/l			
1	0 ÷ 14	0 ÷ 17	0 ÷ 1,7	/	0	/
2	14 ÷ 36	18 ÷ 44	1,8 ÷ 4,4	“-”	20	60
3	36 ÷ 71	45 ÷ 89	4,5 ÷ 8,9	MED	40	40
4	>71	>89	>8,9	“+”	60	25

Rinse aid

This product makes dishes sparkle and helps them to dry without spotting. The dispenser is located on the inside panel of the door.

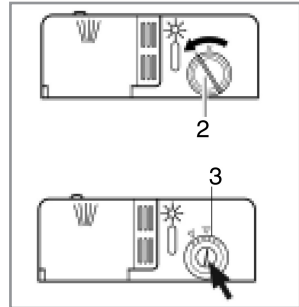
When the low rinse aid indicator “H” lights, you must load rinse aid.



Loading the rinse aid

Regardless of the type of detergent dispenser installed on your appliance, you must proceed as indicated below when loading the rinse aid.

To open the dispenser, turn the “2” cap in an anti-clockwise direction and then pour in the rinse aid, making sure not to overfill. The amount of rinse aid used for each cycle can be regulated by turning the “3” dose adjuster, located beneath the “2” cap, with a screwdriver. There are 6 different settings; the normal dosage setting is 3.



Important

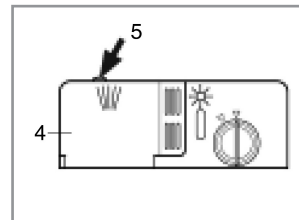
Proper dosage of the rinse aid improves drying. If drops of water remain on the dishes or spotting occurs, the dosage adjustor should be turned to a higher setting. If the dishes have white streaks, turn the dosage adjustor to a lower setting.

How to fill the detergent dispenser

Detergent

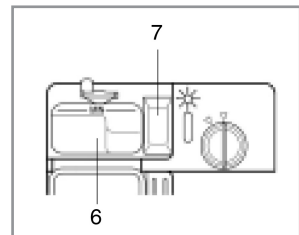
Detergent specifically intended for use with dishwashers must be used. The dispenser must be refilled before the start of each wash cycle following the instructions provided in the “Programme overview”.

The detergent dispenser is located on the inside panel of the door.



Loading the detergent

- To open the “4” cover on the dispenser, press the “5” button.
- The detergent for the wash cycle should be poured into the “6” compartment.
- The detergent for the pre-wash cycle should be poured into the “7” compartment.
- After the detergent has been placed in the dispenser, close the cover and press down until it clicks in place.



Notice:

To facilitate closing the cover, remove any excess detergent on the edges of the dispenser.

What you should not put into the dishwasher

Cutlery and tableware manufactured in whole or part from wood. They become faded and unsightly in appearance. Furthermore, the adhesives that are used are not suitable for the temperature that occur inside the dishwasher. Delicate decorative glassware and vases, special antique or irreplaceable china. The decorative patterns on such items will not be dishwasher-proof.

Plastic objects that are not resistant to hot water, copper and pewter utensils are also not suitable. Decorative patterns printed or painted onto the surface of crockery, glasses, etc., aluminium and silver items tend to become discoloured or faded if washed in the dishwasher. Some types of glass can become opaque in appearance after they have been washed many times in a dishwasher. Highly absorbent materials, such as sponges and towels, should never be placed in the dishwasher.

Our recommendation

In future, only purchase table or kitchenware that has been confirmed as being dishwasher-proof.



Important

Dishes or cutlery that have been soiled by tobacco ash, wax, lubricating grease or paint, should not be put in the dishwasher.

Damage to glassware and other dishes

Possible causes

- type of glass or manufacturing process
- chemical composition of detergent
- water temperature and duration of dishwasher programme.

Suggested remedy

- Use glassware or porcelain dishes that have been marked 'dishwasher-proof' by the manufacture.
- Use a mild detergent that is described as 'kind to dishes'. If necessary, seek further information from detergent manufacturers.
- Select a programme with a low temperature and a short duration as possible.
- To prevent damage, take glass and cutlery out of the dishwasher as soon as possible after the programme has ended.

Before placing the dishes in the dishwasher, remove larger food particles to prevent the filter from becoming clogged, which results in reduced performance.

If the pots and pans have baked-on food that is extremely hard to remove, we recommend that they are soaked before washed. This will eliminate the need for extra wash cycles.

Pull out the rack to load the dishwasher.

How to use the lower rack

We recommend that you place the most difficult to clean items on the bottom rack: pots, pans, lids, serving dishes and bowls, as shown in the figure to the right.

It is preferable to place serving dishes and lids on the sides of the racks in order to avoid blocking the rotation of the top spray arm.

Normal daily load

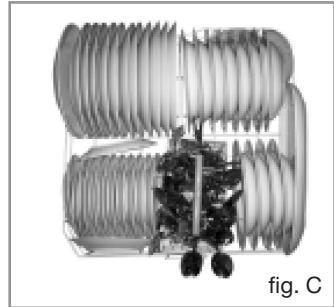


fig. C

- Pots, serving bowls, etc. must always be placed face down (see fig. C) .
- Deep pots should be slanted to allow the water to flow out.
- The silverware basket can be doubled (see fig. D) so that only one section may be used when the silverware load is light. This also makes space for additional pots and pans and it can also be placed in the upper rack.
- Silverware should be placed in the silverware basket with the handles at the bottom; if the rack has side baskets, the spoons should be located individually into the appropriate slots. Especially long utensils should be placed in the horizontal position at the front of the upper rack.

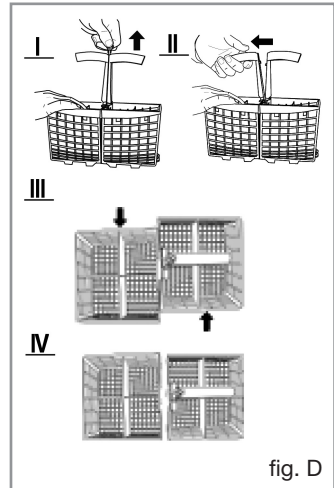


fig. D



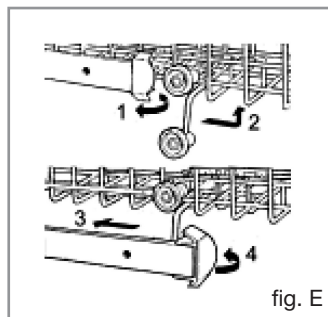
Warning

Knives and other utensils with sharp points must be loaded in the basket with their points down or placed in a horizontal position.

How to use the upper rack

The upper rack is designed to hold more delicate and lighter dishware, such as glasses, cups and saucers, plates, small bowls and shallow pans (as long as they are not too dirty).

- Position the dishes and cookware so that they do not get moved by the spray of water.
- The upper rack can be adjusted for height by using the knobs located on both sides of the rack itself (see fig. E).



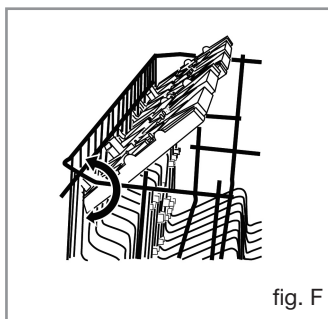
Adjust the upper basket to the higher level and you have more space to accommodate those taller pans and trays in the bottom basket.







Shelf

Lean tall glasses and those with long stems against the shelfnot against other items to be washed.

Place glasses, cups and small bowls on the additional cup rack.

The additional cup rack can be swivelled in or out as required (see fig. F).



Wash programme	Type of crokery e.g. china, pots/pans, cutlery, glasses, etc	Type of food remains	Amount of food remains	Condition of food remains	Description of cycle	Speedup Wash			
 Intensive Wash	Non-delicate	Soups, casseroles, sauces, potatoes, pasts, rice, eggs, roast or fried food.	a lot	stuck on hard	Pre-wash with hot water. Extended wash at 70°C. Rinses with cold water. Rinse with hot water. Drying.	—			
					Pre-wash use cold water. Extended wash at 55°C. Rinse with cold water. Rinse with hot water. Drying.	●			
 Normal Wash					Soups, potatoes, pasta, rice, eggs, roast or fried food.	a little	loosely attached	Pre-wash use cold water. Extended wash at 50°C. Rinse with cold water. Rinse with hot water. Drying.	—
								Wash at 45°C. Rinse with cold water. Hot rinse. Drying.	●
 Light Wash (EN50242)	Mixed	Coffee, cakes, milk, sausage, cold drinks, salads	Very little	loosely attached	Short wash at 40°C. Cold rinse.	—			
					 Glass ware	 Rapid wash	●		
 Soak					Rinse off if the dishes have been stacked for several days in the dishwasher prior to washing.		Short cold wash to prevent food residue from drying on the dishes.	—	
								●	

Delayed Start	Detergent		Rinse Aid
	Extended Wash	Prewash	
●	25g	5g	●
●	15g	5g	●
●	25g	5g	●
●	15g	5g	●
●	25g	5g	● (*)
●	20g	5g	●
●	15g	—	●
●	10g	—	●
●	15g	—	—
●	10g	—	—
●	—	—	—
●	—	—	—


Laboratory measured valve in accordance with European Standard EN50242

Duration in minutes	Energy consumption in kWh	Water consumption in litres
112	1.62	18
94	1.48	16
102	1.24	15
90	1.15	14
162	1.10	14
142	1.00	13
92	1.12	12
82	1.10	10
31	0.40	9
29	0.30	8
12	0.02	3
12	0.02	3

* EN50242 test with rinse aid setting 5

Programme selection

The most appropriate programme can be identified by comparing the type of crockery, cutlery, etc., as well as the amount and condition of food remains, with the details contained in the wash cycle table. The corresponding programme sequence, duration and consumption details are shown in the right half of the overview. For example:

Use the «normal»  programme for dishes and utensils which have plenty of food remains stuck on hard.

Earn savings

If only a small number of dishes have been loaded into the dishwasher, selecting a programme that operates at the next lowest temperature will usually be sufficient.

Programme data

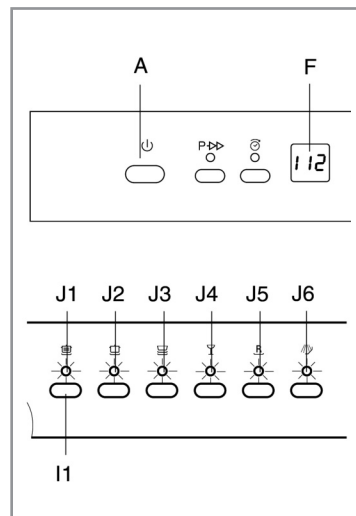
The stated programme data are based on standard operating conditions. The values can vary considerably according to:

- different amounts of dishes
- temperature of mains water supply
- pressure of mains water supply
- ambient temperature
- fluctuations in mains voltage
- machine-related factors (e.g. temperature, water volume,...)

Energy and water consumption is reduced by up to 1/4 when dishes are washed in the upper basket only. The water consumption values are related to water hardness level 1.

Switching the dishwasher ON

- Turn on the tap.
- Set ON-OFF button “A” to ON. All the programme indicators “J1, J2, J3, J4, J5, J6” light .
- Press programme button “11” , programme indicator “J1” blinks and the time-remaining indicator “F” displays the time of the programme..
- If the door is closed, after 5 seconds, the programme indicator “J1” bcomes to light and the dishwasher beeps one time, then the programme starts automatically.



End of programme

- Six beeps will indicate that the wash cycle has finished and all the programme indicators light.

Switching the dishwasher OFF

Several minutes after the programme has ended:

- Set main switch “A” to OFF.
- Open the door .
- Turn the water tap off.
- Remove dishes, etc. when they have cooled down.

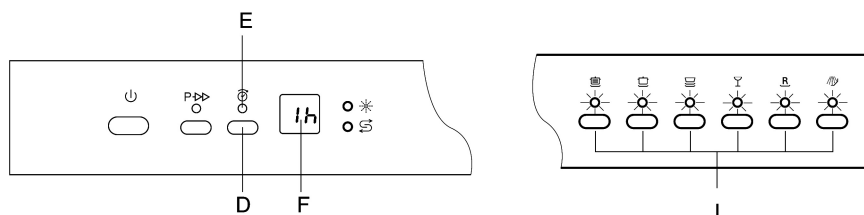
Interrupting the programme

- Open the door. Caution! There is a risk of water squirting out from inside the appliance. Do not open the door fully until spray arm has stopped rotating.
- When you open the door, the dishwasher will beep ten times every thirty seconds.
- If the appliance has already heated up or the hot water was switched ON and then the appliance door opened, leave the door ajar for several minutes and then close. Otherwise, the appliance door may open due to expansion.

Delayed start programming

You can delay the start of a programme in increments of one hour up to 12 hours.

- Switch dishwasher **ON**.
- Immediately press the Delayed Start button “D”, the delayed start indicator “E” blinks, the delayed start time indicator “F” changes to “1h”.
- Press the Delayed Start button “D” as many times as necessary until the numerical display shows the required delay.
- To cancel the time delay setting, pressing the Delayed Start button until the delayed start indicator “E” goes out.
- Press programme button “I” to choose the desired programme.



- If the the door is closed, after 5 seconds the delayed start indicator “E” lights , the time-remaining indicator “F” will blink and decrease , the programme will start until the delayed start indicator “F” goes out .

Cancelling or modifying a cycle

- A cycle that is underway can be modified if it has only been running for a short time. Otherwise, the detergent may have already been used, and the appliance may have already drained the wash water. If this is the case, the detergent dispenser must be refilled (see the paragraph entitled, “Loading the detergent ”).
- To modify a cycle that is already underway, press the button “A” , all of the settings will be cancelled. To set a new cycle, follow the instructions contained in the paragraph entitled “Switching the dishwasher ON”.

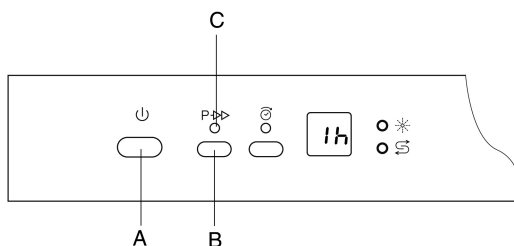
Speedup Wash

You could save your washing time when push button “C” after choosing the programme.

(except for soak programme)

Suggestion

Use this function when there is less cutlery loading.



After Every Wash

After every wash, turn off the water supply the appliance and leave the door slightly ajar so that moisture and odors are not trapped inside.

Remove the plug

Before cleaning or performing maintenance, always remove the plug from the socket. Do not run risks.

No solvents or Abrasive Cleaning Products

To clean the exterior and rubber parts of the dishwasher, do not use solvents or abrasive cleaning products. Rather, use only a cloth and warm soapy water.

To remove spots or stains from the surface of the interior, use a cloth dampened with water and a little white vinegar, or cleaning product made specifically for dishwashers.

Moving the Appliance

If the appliance must be moved, try to keep it in a vertical position. If absolutely necessary, it can be positioned on its back.

Seals

One of the factors that cause odors to form in the dishwasher is food that remains trapped in the seals. Periodic cleaning with a damp sponge will prevent this from occurring.

The door should not be left in the open position since this could present a tripping hazard.

When You Go on Holiday

When you go on holiday, it is recommended that you run a wash cycle with the dishwasher empty and then remove the plug from the socket, turn off the water supply and leave the door of the appliance slightly ajar. This will help the seals last longer and prevent odors from forming within the appliance.

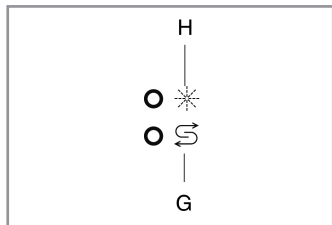
Regular inspection and maintenance of your appliance helps to prevent problems from occurring. This saves time and aggravation. You should therefore carefully inspect the inside of your dishwasher from time to time.

Overall condition of appliance

- Check that no grease or scale has accumulated on the inside of the dishwasher.
If you discover any deposits:
- Clean the interior of the dishwasher thoroughly with a detergent solution.

Dishwasher salt

Check the LOW SALT indicator “G”. Top up with salt, if required.

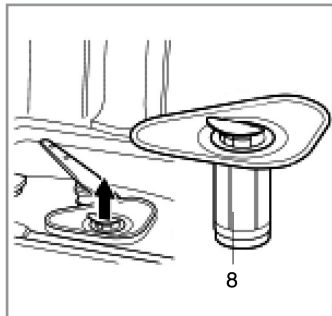


Rinse-aid

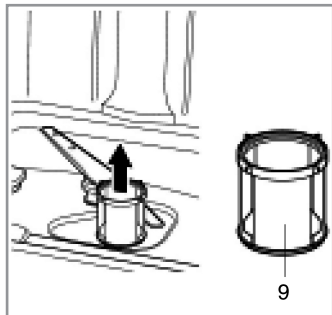
Check the LOW RINSE AID indicator “H”, on the front panel. Top up with rinse-aid, if required.

Filters

The filters “8”, “9” prevent larger particles of food in the water from reaching the pump. These particles may occasionally block the filters.



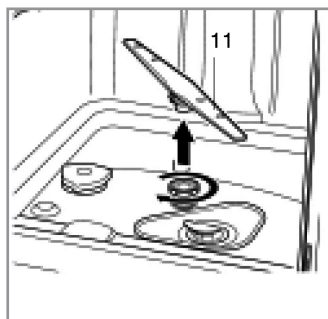
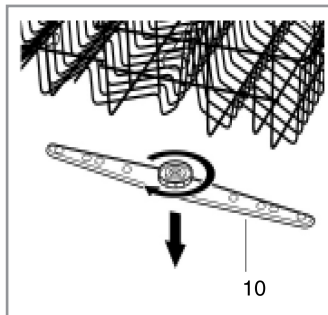
- When the appliance has finished washing, check the filters for particles of food and, if required, clean.
- After undoing the coarse micro-filter “8”, the filter unit “10” can be removed. Remove any particles of food and rinse the filters under running water.
- Insert the filter unit “9” and tighten the coarse micro-filter.



Spray arms

Lime and remnants of food in the washing water can block the nozzles in the spray arms "10" and "11" and the arm mountings.

- Inspect the nozzles in the spray arms for blocked holes due to remnants of food.
- If necessary, pull the lower arm "11" upwards and lift it off.
- Unscrew the upper spray arm "10".
- Clean both spray arms under running water.
- Refit the spray arms. Ensure that the lower arm has locked into place and the upper one is screwed tight.



Resolving minor problems yourself

Experience has shown that you can resolve most problems that rise during normal daily usage yourself, without having to call out a service engineer. Not only does this save costs, but it also means that the appliance is available for use again that much sooner. The following list of common occurrences and their remedies should help you identify the causes of most problems.

Problems...

...when the appliance is switched on

Appliance does not start up

- Fault with fuse in mains electricity supply.
- Plug not inserted in wall socket.
- Appliance door not closed properly.
- Programme button has not been pressed.
- Water tap not turned on.
- Blocked strainer in water intake hose.
 - The strainer is situated in the Aquastop or supply-hose connection.



Caution

Do not forget that repairs should only be carried out by a qualified specialist. Improper repairs can lead to considerable equipment damage as well as danger to the user.

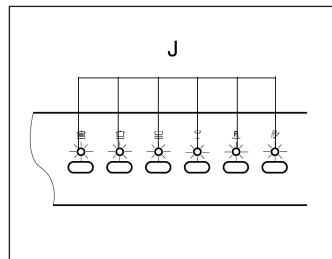
...with the appliance itself

Error display on the time-remaining indicator

When all the programme indicators “J” blink.

Have you checked whether:

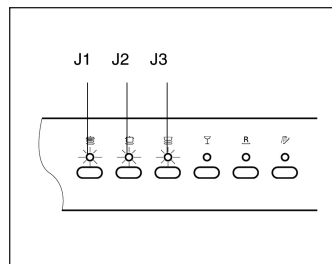
- the door is closed properly.



When the programme indicators “J1, J2, J3” blink.

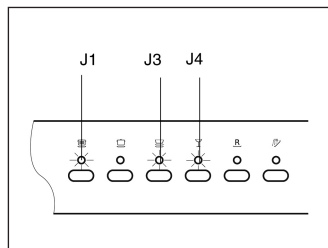
Have you checked whether:

- the water is turned on and the hose is connected properly;
- the water supply to the house is on and has sufficient pressure;
- the water supply hose is crimped or bent;
- the filter for the water supply hose is clogged.
- the drain hose is too low.

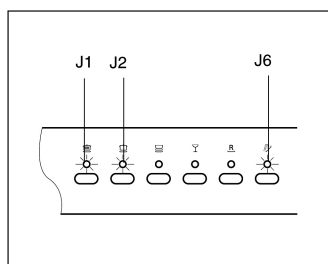


When the programme indicators “J1, J3, J4” blink.**Have you checked whether:**

- the drain hose is crimped or bent.
- the drain hose is too high.

**When the programme indicators “J1, J2, J6” blink.****Have you checked whether:**

- the drain hose is too low.



If you take all these checks and the dishwasher still does not function or your dishwasher have any other error display, you can power the dishwasher OFF, and wait a few minutes. You can power the dishwasher on, try it again, if the dishwasher still does not function and/or the problem persists, contact the nearest authorised service center and provide them with the following information:

- the nature of the problem.
- the model type number (Mod...) And the serial number (S/N...), which are indicated on the plate located on the side of the inner part of the door.

Lower spray arm rotates with difficulty

- Spray arm is blocked by small items or food remains.

Lid in detergent compartment cannot be closed

- Detergent compartment has been overfilled.
- Mechanism is clogged with remnants of detergent.

Indicator lamps do not extinguish after washing has finished

- Main switch is still set to ON.

Remnants of detergent stuck inside dispenser

- Compartment was damp when it was filled up with detergent. Compartment must be dry before detergent is added.

Water remains inside appliance after programme has ended

- Blockage or kind in drainage hose.
- Pump is jammed.
- Filters are blocked.
- The programme is still running. Wait for the programme to end

...during washing**Unusual amount of foam is creased**

- Normal washing up liquid has been poured into the rinse-aid container.
- Remove any spilled rinse aid with a cloth as it could otherwise lead to excessive foaming during the next washing cycle.

Appliance stops suddenly while washing is taking place

- Cut off electricity supply to appliance.
- Water supply has been interrupted.

Knocking sound can be heard while washing is taking place

- A spray arm is knocking against the dishes inside the appliance.

Rattling sound can be heard while washing is taking place

- Crockery has not been stacked properly inside the appliance.

Knocking sound coming from inlet valves

- This is caused by the way the water pipes have been laid and it has no effect upon the way the appliance functions. There is no remedy for this.

...with the dishes, cutlery, etc.**Remnants of food are stuck to the dishes, cutlery, etc.**

- Dishwasher was not loaded properly. Jets of water could not reach all parts of the dishes, ect.
- Too many items in the rack.
- Items in the rack were touching each other.
- Not enough detergent was added to dispenser.
- Selected wash programme was not intensive enough.
- Rotation of spray arm was obstructed by dishes, etc.
- Nozzles in spray arm are blocked by remnants of food.
- Filters are blocked.
- Filters have been incorrectly fitted.
- Waste-water pump is jammed.

Plastic items are discoloured

- Not enough detergent was added to dispenser.
- Detergent has insufficient bleaching properties. Use a detergent containing a chemical bleaching agent.

White stains are left on crockery, glasses have a milky appearance

- Not enough detergent was added to dispenser compartment.
- Amount of rinse-aid was set too low.
- Although water is quite hard, no salt has been put in appliance.
- Water softener was set too low.
- Lid on salt container is not screwed tight.
- If you used a phosphate-free detergent, try a detergent containing phosphates and compare results.

Dishes, cutlery, etc. have not been dried

- Selected programme did not include drying function.
- Amount of rinse-aid was set too low.
- Items were removed from dishwasher too soon.

Glasses have a dull appearance

- Amount of rinse-aid was set too low.

Tea stains or traces of lipstick have not been completely removed

- Detergent does not have a sufficient bleaching effect.
- Washing temperature was set too low.

Traces of rust on cutlery

- Cutlery is not sufficiently rustproof.
- Salt content in washing water is too high.
 - Lid on salt container is not screwed tight.
 - Too much salt was spilt while filling container.

Glasses become clouded and discoloured; coating cannot be wiped off

- Unsuitable detergent was used.
- Glasses are not dishwasher-proof.

Smears left behind on glasses and cutlery; glasses have acquired a metallic appearance

- Amount of rinse-aid set too high.

Width	60 cm
Depth	60 cm
Height	85 cm
Capacity	12 standard place settings
Mains water pressure	0.03-0.6MPa
Power voltage	220-240V~ 50Hz
Maximum current intensity	10A
Total absorbed power	1950W

Important information

Notes on waste disposal

Old appliances still have some residual value. An environment-friendly method of disposal will ensure that valuable raw materials can be recovered and used again.

When an appliance has reached the end of its working life,unplug it from the mains.Cut through the mains cable and dispose of it together with the plug.

Destroy the door locking mechanism. This will ensure that children at play cannot become locked inside and are not exposed to the risk of suffocation.

Your new appliance was protected by suitable packaging while it was on its way to you. All materials used for this purpose are environment-friendly and can be recycled. Please make a contribution to protecting the environment by disposing of the packaging appropriately.

Do not allow children to play with any parts of the packaging. There is a risk of suffocation by the cardboard boxes and the plastic wrapping.

Up-to-date information concerning options for disposal can obtained from your retailer or local municipal administration.

General information

- Measures must be taken to ensure that built-under and built-in units that are subsequently re-sited as free-standing appliances cannot topple over. This can be achieved by bolting the dishwasher to the wall or fitting it under a continuous work surface which is screwed to the adjacent cupboards.

Information on comparability tests implemented in compliance with EN 50242

Appliance loaded in accordance with standard specifications.

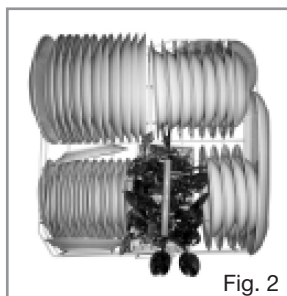
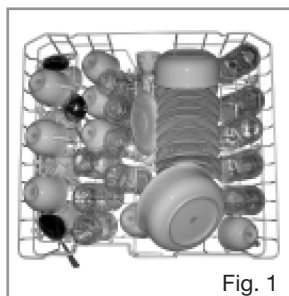
Example of loaded dishwasher: See Fig 1, 2.

Capacity: 12 place settings

Comparability programme: Light wash

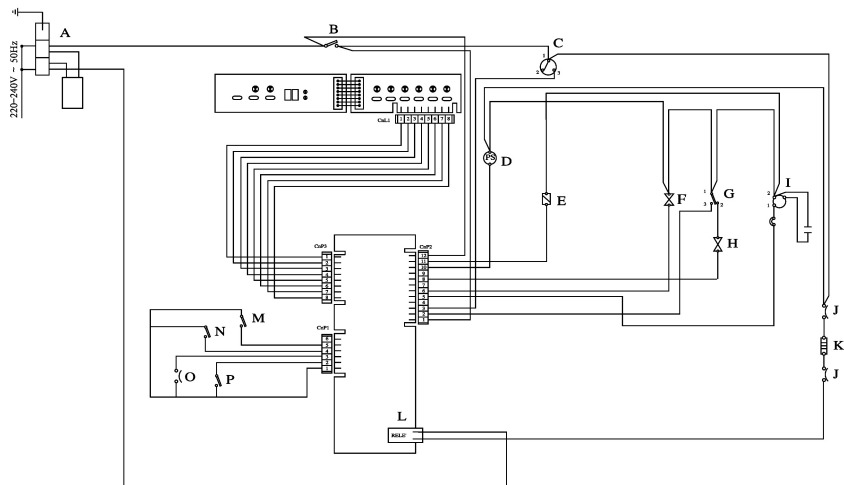
Rinse-aid setting: 5

Detergent: 25+5g



Height-adjustable top-basket must be inserted in the uppermost position.

If the comparability tests do not comply fully with EN 50242, e.g., degree of soiling, type of dishes and cutlery, etc., contact the appliance manufacturer before starting the test.



- | | | |
|-----------------------|------------------------|-------------------------|
| A: Wiring box | G: Overflow switch | M: Low salt switch |
| B: Door switch | H: Inlet valve | N: Low rinse aid switch |
| C: Water level switch | I: Washing pump motor | O: Temperature sensor |
| D: Drain pump motor | J: Temperature limiter | P: Flowmeter |
| E: Dispenser | K: Heater | |
| F: Softener valve | L: Relay | |

Free Manuals Download Website

<http://myh66.com>

<http://usermanuals.us>

<http://www.somanuals.com>

<http://www.4manuals.cc>

<http://www.manual-lib.com>

<http://www.404manual.com>

<http://www.luxmanual.com>

<http://aubethermostatmanual.com>

Golf course search by state

<http://golfingnear.com>

Email search by domain

<http://emailbydomain.com>

Auto manuals search

<http://auto.somanuals.com>

TV manuals search

<http://tv.somanuals.com>