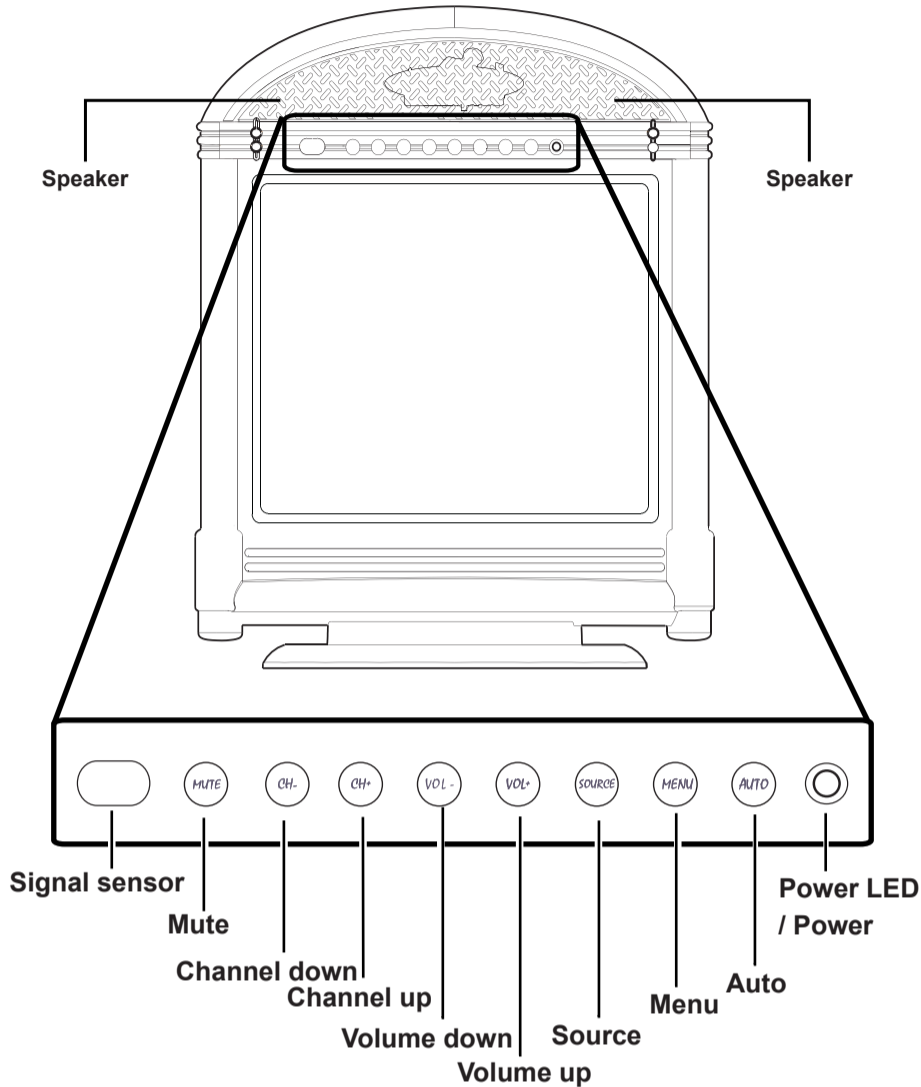
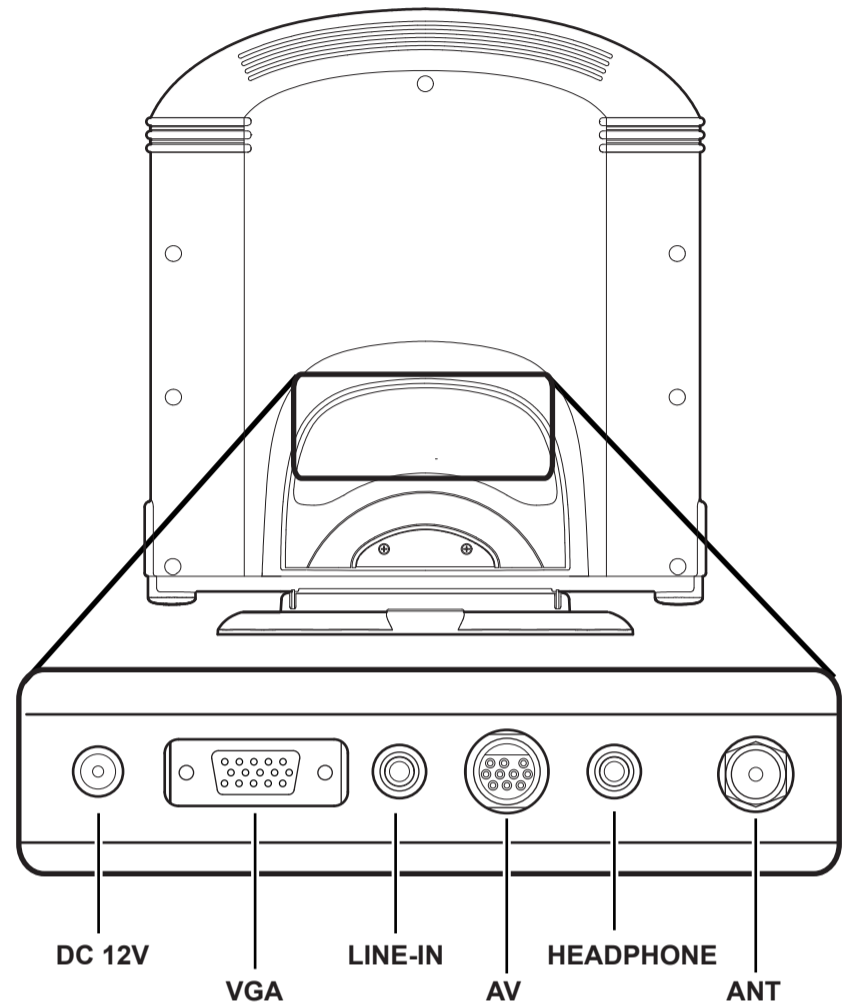


This Quick Start Guide is designed to help you set up and start using your LCD TV. Refer to the User's Manual for more detailed installation and safety instructions.

Front View

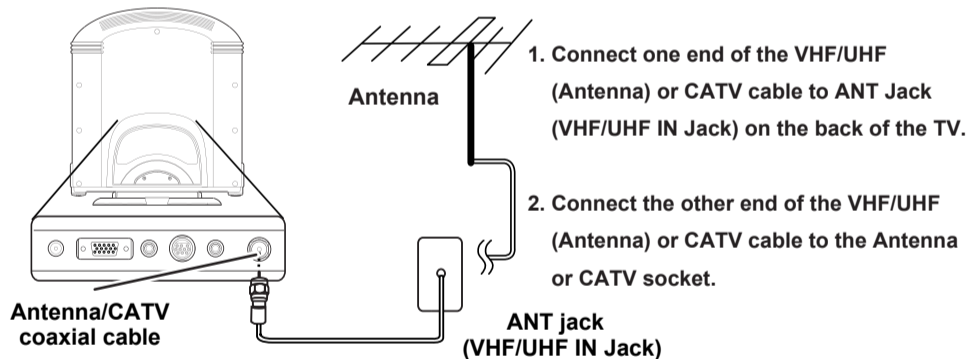


Rear View

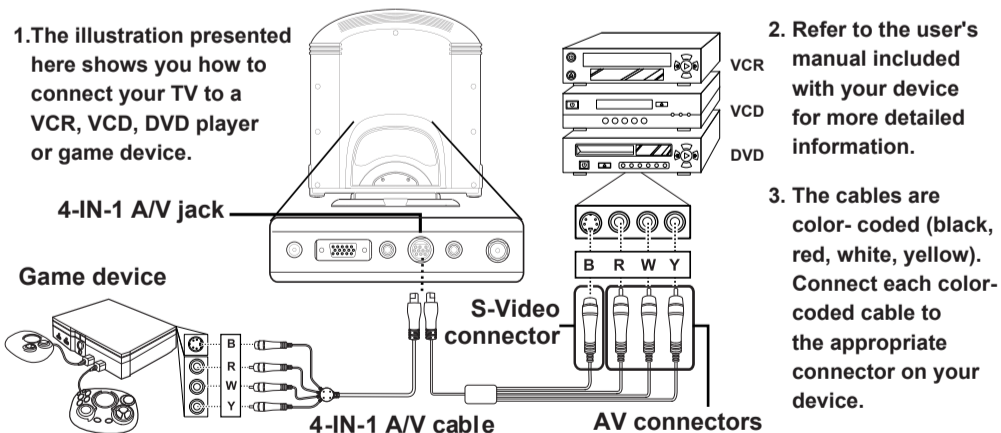


Making Connections

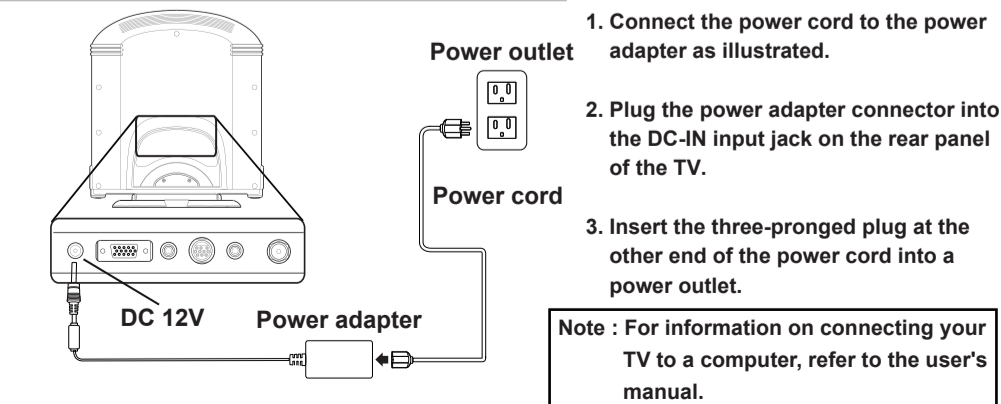
Connecting to Antenna/Cable TV



Connecting to a VCR, VCD, DVD Player, or Game Device



Connecting the Power Adapter



Getting Started

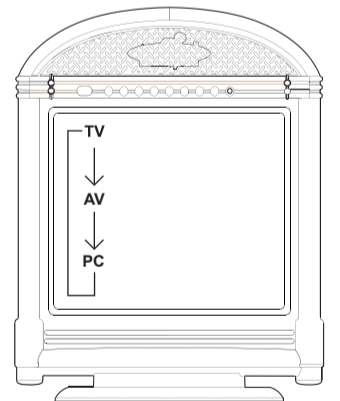
Watching Broadcast or Cable TV

1. Press the POWER button to turn on your TV.
2. Press the SOURCE button to select TV.
3. Press the MENU button on the control panel to enter the OSD menu.
4. Press the CH + button to select the TV setting.
5. Press the MENU button.
6. Press the CH - button to select TV/CATV.



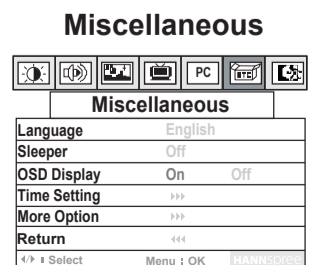
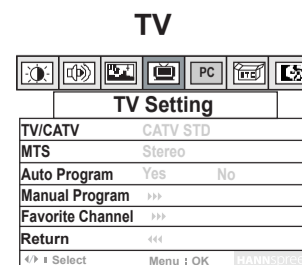
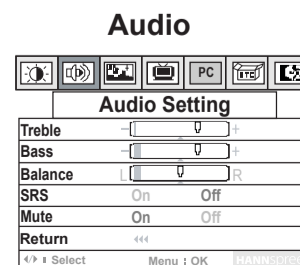
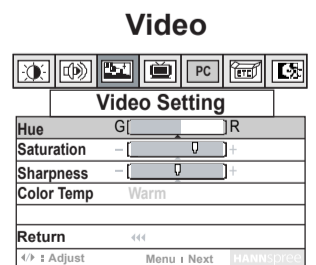
Selecting AV

1. Make sure your TV is turned on and a device such as a DVD player is connected.
2. Press the SOURCE button on the control panel to select different source signals. TV/CATV channel number, AV or PC appear on the screen.



Adjusting OSD Settings

Press the MENU/ENTER button to enter the OSD menus. Use the channel buttons on the control panel to adjust settings.



Free Manuals Download Website

<http://myh66.com>

<http://usermanuals.us>

<http://www.somanuals.com>

<http://www.4manuals.cc>

<http://www.manual-lib.com>

<http://www.404manual.com>

<http://www.luxmanual.com>

<http://aubethermostatmanual.com>

Golf course search by state

<http://golfingnear.com>

Email search by domain

<http://emailbydomain.com>

Auto manuals search

<http://auto.somanuals.com>

TV manuals search

<http://tv.somanuals.com>